

Data Sheet

V850ES/FK3

32-bit Single-Chip Microcontroller

Hardware

μPD70F3383(A)	μPD70F3384(A)	μPD70F3385(A)
μPD70F3383(A1)	μPD70F3384(A1)	μPD70F3385(A1)
μPD70F3383(A2)	μPD70F3384(A2)	μPD70F3385(A2)



Notes for CMOS Devices

1. Precaution against ESD for semiconductors

Strong electric field, when exposed to a MOS device, can cause destruction of the gate oxide and ultimately degrade the device operation. Steps must be taken to stop generation of static electricity as much as possible, and quickly dissipate it once, when it has occurred. Environmental control must be adequate. When it is dry, humidifier should be used. It is recommended to avoid using insulators that easily build static electricity. Semiconductor devices must be stored and transported in an anti-static container, static shielding bag or conductive material. All test and measurement tools including work bench and floor should be grounded. The operator should be grounded using wrist strap. Semiconductor devices must not be touched with bare hands. Similar precautions need to be taken for PW boards with semiconductor devices on it.

2. Handling of unused input pins for CMOS

No connection for CMOS device inputs can be cause of malfunction. If no connection is provided to the input pins, it is possible that an internal input level may be generated due to noise, etc., hence causing malfunction. CMOS devices behave differently than Bipolar or NMOS devices. Input levels of CMOS devices must be fixed high or low by using a pull-up or pull-down circuitry. Each unused pin should be connected to VDD or GND with a resistor, if it is considered to have a possibility of being an output pin. All handling related to the unused pins must be judged device by device and related specifications governing the devices.

3. Status before initialization of MOS devices

Power-on does not necessarily define initial status of MOS device. Production process of MOS does not define the initial operation status of the device. Immediately after the power source is turned ON, the devices with reset function have not yet been initialized. Hence, power-on does not guarantee out-pin levels, I/O settings or contents of registers. Device is not initialized until the reset signal is received. Reset operation must be executed immediately after power-on for devices having reset function.

Legal Notes

- The information in this document is current as of January 2007. The information is subject to change without notice. For actual design-in, refer to the latest publications of NEC Electronics data sheets or data books, etc., for the most up-to-date specifications of NEC Electronics products. Not all products and/or types are available in every country. Please check with an NEC sales representative for availability and additional information.
- No part of this document may be copied or reproduced in any form or by any means without prior written consent of NEC Electronics. NEC Electronics assumes no responsibility for any errors that may appear in this document.
- NEC Electronics does not assume any liability for infringement of patents, copyrights or other intellectual property rights of third parties by or arising from the use of NEC Electronics products listed in this document or any other liability arising from the use of such NEC Electronics products. No license, express, implied or otherwise, is granted under any patents, copyrights or other intellectual property rights of NEC Electronics or others.
- Descriptions of circuits, software and other related information in this document are provided for illustrative purposes in semiconductor product operation and application examples. The incorporation of these circuits, software and information in the design of customer's equipment shall be done under the full responsibility of customer. NEC Electronics assumes no responsibility for any losses incurred by customers or third parties arising from the use of these circuits, software and information.
- While NEC Electronics endeavors to enhance the quality, reliability and safety of NEC Electronics products, customers agree and acknowledge that the possibility of defects thereof cannot be eliminated entirely. To minimize risks of damage to property or injury (including death) to persons arising from defects in NEC Electronics products, customers must incorporate sufficient safety measures in their design, such as redundancy, fire-containment and anti-failure features.
- NEC Electronics products are classified into the following three quality grades: "Standard", "Special" and "Specific".

The "Specific" quality grade applies only to NEC Electronics products developed based on a customer-designated "quality assurance program" for a specific application. The recommended applications of NEC Electronics product depend on its quality grade, as indicated below. Customers must check the quality grade of each NEC Electronics product before using it in a particular application.

"Standard":	Computers, office equipment, communications equipment, test and measurement equipment, audio and visual equipment, home electronic appliances, machine tools, personal electronic equipment and industrial robots.
"Special":	Transportation equipment (automobiles, trains, ships, etc.), traffic control systems, anti-disaster systems, anti-crime systems, safety equipment and medical equipment (not specifically designed for life support).
"Specific":	Aircraft, aerospace equipment, submersible repeaters, nuclear reactor control systems, life support systems and medical equipment for life support, etc.

The quality grade of NEC Electronics products is "Standard" unless otherwise expressly specified in NEC Electronics data sheets or data books, etc. If customers wish to use NEC Electronics products in applications not intended by NEC Electronics, they must contact NEC Electronics sales representative in advance to determine NEC Electronics 's willingness to support a given application.

- Notes:**
1. "NEC Electronics" as used in this statement means NEC Electronics Corporation and also includes its majority-owned subsidiaries.
 2. "NEC Electronics products" means any product developed or manufactured by or for NEC Electronics (as defined above).
 3. SuperFlash[®] is a registered trademark of Silicon Storage Technology, Inc. in several countries including the United States and Japan. This product uses SuperFlash[®] technology licensed from Silicon Storage Technology, Inc.

Regional Information

Some information contained in this document may vary from country to country. Before using any NEC product in your application, please contact the NEC office in your country to obtain a list of authorized representatives and distributors. They will verify:

- Device availability
- Ordering information
- Product release schedule
- Availability of related technical literature
- Development environment specifications (for example, specifications for third-party tools and components, host computers, power plugs, AC supply voltages, and so forth)
- Network requirements

In addition, trademarks, registered trademarks, export restrictions, and other legal issues may also vary from country to country.

*For further information,
please contact:*

NEC Electronics Corporation
1753, Shimonumabe, Nakahara-ku,
Kawasaki, Kanagawa 211-8668,
Japan
Tel: 044-435-5111
<http://www.necel.com/>

[America]

NEC Electronics America, Inc.
2880 Scott Blvd.
Santa Clara, CA 95050-2554, U.S.A.
Tel: 408-588-6000
800-366-9782
<http://www.am.necel.com/>

[Europe]

NEC Electronics (Europe) GmbH
Arcadiastrasse 10
40472 Düsseldorf, Germany
Tel: 0211-65030
<http://www.eu.necel.com/>

Hanover Office
Podbielski Strasse 166 B
30177 Hanover
Tel: 0 511 33 40 2-0

Munich Office
Werner-Eckert-Strasse 9
81829 München
Tel: 0 89 92 10 03-0

Stuttgart Office
Industriestrasse 3
70565 Stuttgart
Tel: 0 711 99 01 0-0

United Kingdom Branch
Cygnus House, Sunrise Parkway
Linford Wood, Milton Keynes
MK14 6NP, U.K.
Tel: 01908-691-133

Succursale Française
9, rue Paul Dautier, B.P. 52180
78142 Velizy-Villacoublay Cédex
France
Tel: 01-3067-5800

Sucursal en España
Juan Esplandiú, 15
28007 Madrid, Spain
Tel: 091-504-2787

Tyskland Filial
Täby Centrum
Entrance S (7th floor)
18322 Täby, Sweden
Tel: 08 638 72 00

Filiale Italiana
Via Fabio Filzi, 25/A
20124 Milano, Italy
Tel: 02-667541

Branch The Netherlands
Steijgerweg 6
5616 HS Eindhoven
The Netherlands
Tel: 040 265 40 10

[Asia & Oceania]

NEC Electronics (China) Co., Ltd
7th Floor, Quantum Plaza, No. 27 ZhiChunLu Haidian
District, Beijing 100083, P.R.China
TEL: 010-8235-1155
<http://www.cn.necel.com/>

NEC Electronics Shanghai Ltd.
Room 2509-2510, Bank of China Tower,
200 Yincheng Road Central,
Pudong New Area, Shanghai P.R. China P.C:200120
Tel: 021-5888-5400
<http://www.cn.necel.com/>

NEC Electronics Hong Kong Ltd.
12/F., Cityplaza 4,
12 Taikoo Wan Road, Hong Kong
Tel: 2886-9318
<http://www.hk.necel.com/>

Seoul Branch
11F., Samik Lavied'or Bldg., 720-2,
Yeoksam-Dong, Kangnam-Ku,
Seoul, 135-080, Korea
Tel: 02-558-3737

NEC Electronics Taiwan Ltd.
7F, No. 363 Fu Shing North Road
Taipei, Taiwan, R. O. C.
Tel: 02-8175-9600

NEC Electronics Singapore Pte. Ltd.
238A Thomson Road,
#12-08 Novena Square,
Singapore 307684
Tel: 6253-8311
<http://www.sg.necel.com/>

G06.6-1A

Table of Contents

1.	Pin Group Information	11
1.1	Device package information	11
1.2	Pin Groups 1x: Pins supplied by EVDD	11
1.3	Pin Groups 2x: Pins supplied by EVDD	11
1.4	Pin Groups 3x: Pins supplied by BVDD	12
1.5	Pin Groups 4: Pins supplied by AVREF0	12
1.6	Pin Groups 5: Pins supplied by AVREF1	12
1.7	Pin Groups 6: Pins supplied by EVDD	12
1.8	Pin Groups 7: Pins supplied by VRO	12
2.	Electrical Specifications of (A)-Grade	13
2.1	Absolute Maximum Ratings	13
2.2	Capacities	14
2.3	Operating condition	14
2.4	Voltage Regulator Characteristics	15
2.5	Clock Generator Circuit	15
2.5.1	Main System Clock Oscillation Circuit Characteristics	15
2.5.2	Sub System Clock Oscillation Circuit Characteristics	16
2.5.3	Internal-OSC Characteristics	16
2.5.4	PLL Characteristics	17
2.5.5	SSCG Characteristics	17
2.6	DC Characteristics	18
2.6.1	Input/Output Level	18
2.6.2	PIN leakage current	19
2.6.3	Power supply current (A-grade)	20
2.6.3.1	μPD70F3383 / μPD70F3384 / μPD70F3385	20
2.7	AC Characteristics	23
2.7.1	CLKOUT Output Timing	23
2.7.2	Bus Timing (Multiplexed bus mode)	24
2.7.3	RESET, Interrupt, ADTRG Timing	29
2.7.4	Key Return Timing	29
2.7.5	Timer Timing	29
2.7.6	CSI Timing	30
2.7.7	UART Timing	30
2.7.8	IIC Timing	31
2.7.9	CAN Timing	33
2.8	A/D Converter	34
2.9	POC	35
2.10	LVI	36
2.11	RAM Retention Flag	36
2.12	Data Retention Characteristics	37
2.13	Flash Memory Programming Characteristics	38
3.	Electrical Specifications of (A1)-Grade	39
3.1	Absolute Maximum Ratings	39
3.2	Capacities	40
3.3	Operating condition	40
3.4	Voltage Regulator Characteristics	40
3.5	Clock Generator Circuit	40
3.5.1	Main System Clock Oscillation Circuit Characteristics	40
3.5.2	Sub System Clock Oscillation Circuit Characteristics	40
3.5.3	Internal-OSC Characteristics	40
3.5.4	PLL Characteristics	40

Table of Contents

3.5.5	SSCG Characteristics	40
3.6	DC Characteristics	41
3.6.1	Input/Output Level	41
3.6.2	PIN leakage current	42
3.6.3	Power supply current (A1-grade)	43
3.6.3.1	μPD70F3383 / μPD70F3384 / μPD70F3385	43
3.7	AC Characteristics	46
3.7.1	CLKOUT Output Timing	46
3.7.2	Bus Timing (Multiplexed bus mode)	46
3.7.3	RESET, Interrupt, ADTRG Timing	46
3.7.4	Key Return Timing	46
3.7.5	Timer Timing	46
3.7.6	CSI Timing	46
3.7.7	UART Timing	46
3.7.8	IIC Timing	46
3.7.9	CAN Timing	47
3.8	A/D Converter	47
3.9	POC	47
3.10	LVI	47
3.11	RAM Retention Flag	47
3.12	Data Retention Characteristics	47
3.13	Flash Memory Programming Characteristics	47
4.	Electrical Specifications of (A2)-Grade	49
4.1	Absolute Maximum Ratings	49
4.2	Capacities	49
4.3	Operating condition	50
4.4	Voltage Regulator Characteristics	50
4.5	Clock Generator Circuit	51
4.5.1	Main System Clock Oscillation Circuit Characteristics	51
4.5.2	Sub System Clock Oscillation Circuit Characteristics	51
4.5.3	Internal-OSC Characteristics	51
4.5.4	PLL Characteristics	51
4.5.5	SSCG Characteristics	51
4.6	DC Characteristics	52
4.6.1	Input/Output Level	52
4.6.2	PIN leakage current	52
4.6.3	Power supply current (A2-grade)	53
4.6.3.1	μPD70F3383 / μPD70F3384 / μPD70F3385	53
4.7	AC Characteristics	56
4.7.1	CLKOUT Output Timing	57
4.7.2	Bus Timing (Multiplexed bus mode)	57
4.7.3	RESET, Interrupt, ADTRG Timing	57
4.7.4	Key Return Timing	57
4.7.5	Timer Timing	57
4.7.6	CSI Timing	57
4.7.7	UART Timing	57
4.7.8	IIC Timing	57
4.7.9	CAN Timing	57
4.8	A/D Converter	58
4.9	POC	59
4.10	LVI	59
4.11	RAM Retention Flag	59

Table of Contents

4.12	Data Retention Characteristics	59
4.13	Flash Memory Programming Characteristics	59
5.	Package	61
5.1	Package Dimension	61
5.2	Product Marking	62
5.2.1	Marking of pin 1 at a QFP (Quad Flat Package)	62
5.2.2	Identification of Lead-Free Products	63
6.	Change History	65

Table of Contents

1. Pin Group Information

1.1 Device package information

The V850ES/Fx3 device series comprises several members. An overview with the pin and package information is given in the following table:

Series Member	# Pins	Device package information
μPD70F3370A μPD70F3371	64	FE3
μPD70F3372 μPD70F3373	80	FF3
μPD70F3374 μPD70F3375 μPD70F3376A μPD70F3377A	100	FG3
μPD70F3378 μPD70F3379 μPD70F3380 μPD70F3381 μPD70F3382	144	FJ3
μPD70F3383 μPD70F3384 μPD70F3385	176	FK3

This document describes the specification for the V850ES/FK3.

1.2 Pin Groups 1x: Pins supplied by EVDD

1B: (SHMT1)

- P04, P30-31, P34; P40, P91, P913-915 (FE3)
- P04, P30-31, P34; P38-39, P40, P91, P913-915 (FF3)
- P04, P30-31, P34; P36-39, P40, P91, P911, P913-915 (FG3)
- P04, P30-31, P34; P36-39, P40, P63-69, P614-615, P80-81, P91, P911, P913-915 (FJ3)
- P04, P30-31, P34; P36-39, P40, P63-69, P614-615, P80-81, P91, P911, P913-915, P156-157 (FK3)

1D: (SHMT3)

- P00-03, P05-P06, P32-33, P35, P41-42, P50-55, P90, P96-99 (FE3)
- P00-03, P05-P06, P32-33, P35, P41-42, P50-55, P90, P96-99 (FF3)
- P00-03, P05-P06, P10-11, P32-33, P35, P41-42, P50-55, P90, P92-910, P912 (FG3)
- P00-03, P05-P06, P10-11, P32-33, P35, P41-42, P50-55, P60-62, P610-613, P90, P92-910, P912 (FJ3)
- P00-03, P05-P06, P10-11, P32-33, P35, P41-42, P50-55, P60-62, P610-613, P90, P92-910, P912, P150-155 (FK3)

1.3 Pin Groups 2x: Pins supplied by EVDD

2A: (CMOS)

- PCM0-1 (FE3)
- PCM0-3, PCS0-1, PCT0-1, PCT4, PCT6 (FF3)

2D: (SHMT3)

- PDL0-7 (FE3)
- PDL0-11 (FF3)

1.4 Pin Groups 3x: Pins supplied by BVDD

3A: (CMOS)

- PCM0-3, PCS0-1, PCT0-1, PCT4, PCT6 (FG3)
- PCD0-3, PCM0-5, PCS0-7, PCT0-7 (FJ3) + (FK3)

3D: (SHMT3)

- PDL0-13 (FG3)
- PDL0-15 (FJ3) + (FK3)

1.5 Pin Groups 4: Pins supplied by AVREF0

4: (CMOS)

- P70-79 (FE3)
- P70-711 (FF3)
- P70-715 (FG3)
- P70-715, P120-127 (FJ3) + (FK3)

1.6 Pin Groups 5: Pins supplied by AVREF1

- P20-P215 (FK3) (CMOS)

1.7 Pin Groups 6: Pins supplied by EVDD

- RESET (SHMT2)
- IC, FLMD0

1.8 Pin Groups 7: Pins supplied by VRO

- X1, X2, XT1, XT2

2. Electrical Specifications of (A)-Grade

This product has to be used only under the conditions of VDD = VDD1 = EVDD = BVDD. Operation is not ensured at the time of using this product except this condition.

2.1 Absolute Maximum Ratings

Absolute Maximum Ratings (Ta=25°C)

Parameter	Symbol	Conditions	Rating	Unit			
Supply voltage	VDD	VDD = VDD1 = EVDD = BVDD,	-0.5 to +6.5	V			
	VDD1	VDD = VDD1 = EVDD = BVDD	-0.5 to +6.5	V			
	EVDD	VDD = VDD1 = EVDD = BVDD	-0.5 to +6.5	V			
	BVDD	VDD = VDD1 = EVDD = BVDD	-0.5 to +6.5	V			
	AVREF0		-0.5 to +6.5	V			
	AVREF1		-0.5 to +6.5	V			
	VSS	VSS = VSS1 = EVSS = BVSS = AVSS = AVSS1	-0.5 to +0.5	V			
	VSS1	VSS = VSS1 = EVSS = BVSS = AVSS = AVSS1	-0.5 to +0.5	V			
	EVSS	VSS = VSS1 = EVSS = BVSS = AVSS = AVSS1	-0.5 to +0.5	V			
	BVSS	VSS = VSS1 = EVSS = BVSS = AVSS = AVSS1	-0.5 to +0.5	V			
	AVSS	VSS = VSS1 = EVSS = BVSS = AVSS = AVSS1	-0.5 to +0.5	V			
	AVSS1	VSS = VSS1 = EVSS = BVSS = AVSS = AVSS1	-0.5 to +0.5	V			
Input voltage	VI1	Pin Group 1x, 6	-0.5 to EVDD+0.5 <small>Note1</small>	V			
	VI2	Pin Group 3x	-0.5 to BVDD+0.5 <small>Note1</small>	V			
	VI3	Pin Group 7	-0.5 to VRO+0.5 <small>Note1</small>	V			
Analog input voltage	VIAN	Pin Group 4	-0.5 to AVREF0+0.5 <small>Note1</small>	V			
		Pin Group 5	-0.5 to AVREF1+0.5 <small>Note1</small>	V			
High level output current	IOH	Pin Group 1x	1 pin	-4	mA		
			Total	-50	mA		
		Pin Group 3x	1 pin	-4	mA		
			Total	-50	mA		
		Pin Group 4	1 pin	-4	mA		
			Total	-20 ^{Note2}	mA		
		Pin Group 5	1 pin	-4	mA		
			Total	-20 ^{Note2}	mA		
		Low level output current	IOL	Pin Group 1x	1 pin	4	mA
					Total	50	mA
Pin Group 3x	1 pin			4	mA		
	Total			50	mA		
Pin Group 4	1 pin			4	mA		
	Total			20 ^{Note2}	mA		
Pin Group 5	1 pin			4	mA		
	Total			20 ^{Note2}	mA		
Operating ambient temperature	Ta			Normal operating mode	-40 to +85	°C	
				Flash programming mode	-40 to +85		
Storage temperature	Tstg		-40 to +125	°C			

Remarks: 1. The characteristics of the dual-function pins are the same as those of the port pins unless otherwise specified

Notes: 1. Be sure not to exceed the absolute maximum ratings (Max. value) of each supply voltage.
2. Excluding ADC IAREF0 / IAREF1 current.

2.2 Capacities

(Ta = 25°C, VDD = VDD1 = EVDD = BVDD = AVREF0 = AVREF1 = VSS = VSS1 = EVSS = BVSS = AVSS = AVSS1 = 0V)

Parameter	Symbol	Conditions	MIN.	TYP.	MAX.	Unit
Input/output capacitance	CIO	f=1MHz, Not measured pins is 0V.			10	pF

2.3 Operating condition

(Ta = -40 to +85°C, VDD = VDD1 = EVDD = BVDD, 4.0 ≤ AVREF0 ≤ 5.5V, 4.0 ≤ AVREF1 ≤ 5.5V, VSS = VSS1 = EVSS = BVSS = AVSS = AVSS1 = 0V, C = 4.7uF)

Internal System clock frequency (f _{VCLK})	Supply voltage (VDD)	Operating Condition
4.0 ≤ f _{xx} ≤ 48MHz Note1	4.0V ≤ VDD ≤ 5.5V Note2	Operation of functions is usable under following conditions: <ul style="list-style-type: none"> Peripheral clock frequency <ul style="list-style-type: none"> f_{XP1} ≤ 32MHz f_{XP2} ≤ 32MHz AC characteristics: <ul style="list-style-type: none"> Refer to chapter '2.7 AC Characteristics' for details.
	3.5V ≤ VDD ≤ 4.0V Note2	Operation of functions is usable under following conditions: <ul style="list-style-type: none"> Peripheral clock frequency <ul style="list-style-type: none"> f_{XP1} ≤ 20MHz f_{XP2} ≤ 20MHz AC characteristics: <ul style="list-style-type: none"> Refer to chapter '2.7 AC Characteristics' for details.
	3.3V ≤ VDD < 3.5V Note2	Only operation of following function is assured: <ul style="list-style-type: none"> CPU Flash (include programming) RAM IO Buffer Port WT WDT INT CLM POC LVI
	3.5V ≤ AVREF0 < 5.5V	<ul style="list-style-type: none"> A/D Converter <ul style="list-style-type: none"> Refer to chapter '2.8 A/D Converter' for details. stop ADC for AVREF0 < 4.0V (ADA0CE bit = 0)
	3.5V ≤ AVREF1 < 5.5V	<ul style="list-style-type: none"> A/D Converter <ul style="list-style-type: none"> Refer to chapter '2.8 A/D Converter' for details. stop ADC for AVREF1 < 4.0V (ADA1CE bit = 0)
	32kHz ≤ f _{XT} ≤ 35kHz (Crystal)	3.3V ≤ VDD < 5.5V Note2
12.5kHz ≤ f _{XT} ≤ 27.5kHz Note3(RC)	-	
f _{RL} (240kHz Internal-OSC)	3.3V ≤ VDD < 5.5V Note2	-

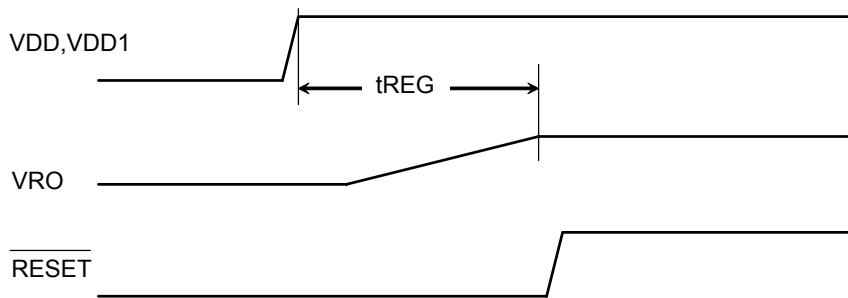
- Notes:**
- For using SSCG please refer to '2.5.5 SSCG Characteristics' for details
 - VDD = VDD1 = EVDD = BVDD
 - RC Oscillation frequency is min. 25kHz max. 55kHz. This clock is divided by 2 internally.

2.4 Voltage Regulator Characteristics

(Ta = -40 to +85°C, VDD = VDD1 = EVDD = BVDD, VSS = VSS1 = EVSS = BVSS = AVSS = AVSS1 = 0V)

Parameter	Symbol	Conditions	MIN.	TYP.	MAX.	Unit
Input voltage	VDD		3.5		5.5	V
	VDD1	Limited function see '2.3 Operating condition'	3.3			V
Output voltage	VRO			2.5		V
Output voltage stabilization time	t _{REG} ^{Note}	After VDD=VDD1 reaches voltage range min. 3.3V To connect C=4.7uF on REGC terminal and C=4.7uF on REGC1 terminal			1	ms

Note: In case of non-POC device, be sure to start VDD in the state of $\overline{\text{RESET}}=\text{VSS}=0\text{V}$. For POC devices there is no need to control external $\overline{\text{RESET}}$ terminal. For devices with POC function the internal $\overline{\text{RESET}}$ signal will automatically controlled until VRO is stable.



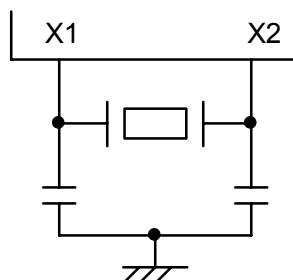
2.5 Clock Generator Circuit

2.5.1 Main System Clock Oscillation Circuit Characteristics

(Ta = -40 to +85°C, VDD = VDD1 = EVDD = BVDD = 3.3V to 5.5V, 4.0 ≤ AVREF0 ≤ 5.5V, 4.0 ≤ AVREF1 ≤ 5.5V, VSS = VSS1 = EVSS = BVSS = AVSS = AVSS1 = 0V, C = 4.7uF)

Resonator	Recommended Circuit	Parameter	Conditions	MIN.	TYP.	MAX.	Unit
Crystal / Ceramic resonator	Refer to figure below	Oscillator frequency (fx) ^{Note1}		4		16	MHz
		Oscillation stabilization time ^{Note2}	After STOP mode	64 ^{Note4}	Note3		μs
			After IDLE2 mode	54 ^{Note4}	Note3		μs

- Notes:**
1. Indicates only oscillation circuit characteristics. Refer to '2.7 AC Characteristics' for CPU operation clock.
 2. Time required to stabilize oscillation after VDD reaches oscillator voltage range MIN. 3.3V
 3. Depends on the setting of the oscillation stabilization time select register (OSTS)
 4. Minimum time required to stabilize flash. Time has to be secured by setting the oscillation stabilization time select register (OSTS)

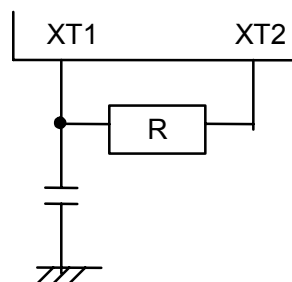
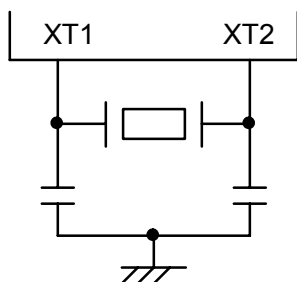


2.5.2 Sub System Clock Oscillation Circuit Characteristics

(Ta = -40 to +85°C, VDD = VDD1 = EVDD = BVDD = 3.3V to 5.5V, 4.0 ≤ AVREF0 ≤ 5.5V, 4.0 ≤ AVREF1 ≤ 5.5V, 4.0 ≤ AVREF1 ≤ 5.5V, VSS = VSS1 = EVSS = BVSS = AVSS = AVSS1 = 0V)

Resonator	Recommended Circuit	Parameter	Conditions	MIN.	TYP.	MAX.	Unit
Crystal resonator	Refer to Figure 1	Oscillator frequency (fxt) ^{Note1}		32	32.768	35	kHz
		Oscillation stabilization time ^{Note2}				10	s
RC resonator	Refer to Figure 2	Oscillator frequency ^{Note1,4}	R=390KΩ±5% ^{Note3} , C=47pF±10% ^{Note3}	25	40	55	kHz
		Oscillation stabilization time ^{Note2}				100	μs

- Notes:**
1. Indicates only oscillation circuit characteristics. Refer to "AC Characteristic" for cpu operation clock.
 2. Time required to stabilize oscillation after VDD reaches oscillator voltage range min. 3.3V
 3. In order to avoid the influence of wiring capacity, shorten wiring as much as possible.
 4. RC Oscillation frequency is typ. 40kHz. This clock is divided 2 internally. In case of RC Oscillator, internal system clock frequency (fxt) is min. 12.5kHz, typ. 20kHz, max. 27.5kHz.



2.5.3 Internal-OSC Characteristics

(Ta = -40 to +85°C, VDD = VDD1 = EVDD = BVDD = 3.3V to 5.5V, 4.0 ≤ AVREF0 ≤ 5.5V, 4.0 ≤ AVREF1 ≤ 5.5V, VSS = VSS1 = EVSS = BVSS = AVSS = AVSS1 = 0 V)

Parameter	Symbol	Conditions	MIN.	TYP.	MAX.	Unit
Output frequency	f _{RL}	240kHz Internal-OSC	204	240	276	kHz
	f _{RH}	8MHz Internal-OSC	7.2	8.0	8.8	MHz
Oscillation stabilization time		240kHz Internal-OSC		10	36	μs
		8MHz Internal-OSC	51	92	256	μs

2.5.4 PLL Characteristics

(Ta = -40 to +85°C, VDD = VDD1 = EVDD = BVDD = 3.3V to 5.5V, 4.0 ≤ AVREF0 ≤ 5.5V, 4.0 ≤ AVREF1 ≤ 5.5V, VSS = VSS1 = EVSS = BVSS = AVSS = AVSS1 = 0V)

Parameter	Symbol	Conditions	MIN.	TYP.	MAX.	Unit
Input frequency	f _x		4		16	MHz
	f _{PLLI}	Note1	3		6	MHz
Output frequency	f _{xx}		12		48	MHz
Lock time	t _{PLL}	After VDD reaches voltage range min. 3.3V			800	μs
Output period jitter Note2	t _{pj}	Peak to peak			2.0	ns

- Notes:**
- The input of the PLL (f_{PLLI}) can be set to f_x, f_x/2, or f_x/4. The divider is set through an option byte in the code flash memory.
 - Not tested in production.

2.5.5 SSCG Characteristics

(Ta = -40 to +85°C, VDD = VDD1 = EVDD = BVDD = 3.3V to 5.5V, 4.0 ≤ AVREF0 ≤ 5.5V, 4.0 ≤ AVREF1 ≤ 5.5V, VSS = VSS1 = EVSS = BVSS = AVSS = AVSS1 = 0V)

Parameter	Symbol	Conditions	MIN.	TYP.	MAX.	Unit
Input frequency	f _x		4		16	MHz
Output frequency	f _{xx}		12		48	MHz
Lock time	t _{SSCG}	After VDD reaches voltage range min. 3.3V			1000	μs

Remark: The SSCG MAX output frequency indicates the case without modulation. If modulation is enabled the average SSCG frequency has to be set lower. The maximum achievable average operating frequency with modulation is as follows:

SSCG input clock divider selector SFC1[6:4]	Percent modulation		Maximum average operating frequency		Unit
	TYP	MAX		≥384KB product	
000B	± 0.5%	± 2.0%		47.0	MHz
001B	± 1.0%	± 2.5%		46.8	
010B	± 2.0%	± 4.0%		46.1	
011B	± 3.0%	± 6.0%		45.1	
100B	± 4.0%	± 8.0%		44.2	
101B	± 5.0%	± 10.0%		43.2	

2.6 DC Characteristics

2.6.1 Input/Output Level

($T_a = -40$ to $+85^\circ\text{C}$, $V_{DD} = V_{DD1} = EV_{DD} = BV_{DD} = 3.3\text{V}$ to 5.5V , $4.0 \leq AV_{REF0} \leq 5.5\text{V}$, $V_{SS} = V_{SS1} = EV_{SS} = BV_{SS} = AV_{SS} = AV_{SS1} = 0\text{V}$)

Parameter	Symbol	Conditions	MIN.	TYP.	MAX.	Unit
High level input voltage	VIH1	Pin Group 1B	$0.7 \cdot EV_{DD}$		EVDD	V
	VIH2	Pin Group 1D	$0.8 \cdot EV_{DD}$		EVDD	V
		Pin Group 3D	$0.8 \cdot BV_{DD}$		BVDD	V
	VIH3	Pin Group 3A	$0.7 \cdot BV_{DD}$		BVDD	V
	VIH4	Pin Group 4	$0.7 \cdot AV_{REF0}$		AVREF0	V
	VIH5	Pin Group 6	$0.8 \cdot EV_{DD}$		EVDD	V
VIH6	Pin Group 5	$0.7 \cdot AV_{REF1}$		AVREF1	V	
Low level input voltage	VIL1	Pin Group 1B	EVSS		$0.3 \cdot EV_{DD}$	V
	VIL2	Pin Group 1D	EVSS		$0.4 \cdot EV_{DD}$	V
		Pin Group 3D	BVSS		$0.4 \cdot BV_{DD}$	V
	VIL3	Pin Group 3A	BVSS		$0.3 \cdot BV_{DD}$	V
	VIL4	Pin Group 4	AVSS		$0.3 \cdot AV_{REF0}$	V
	VIL5	Pin Group 6	EVSS		$0.2 \cdot EV_{DD}$	V
VIL6	Pin Group 5	AVSS1		$0.3 \cdot AV_{REF1}$	V	
Input hysteresis	VHYS1	Pin Group 1B	Center point at $0.5 \times EV_{DD}$ <small>Note3</small>		$0.267 \times EV_{DD} - 0.51\text{V}$	V
	VHYS2	Pin Group 1D	Center point at $0.6 \times EV_{DD}$ <small>Note3</small>		$0.192 \times EV_{DD} - 0.31\text{V}$	V
		Pin Group 3D	Center point at $0.6 \times BV_{DD}$ <small>Note3</small>		$0.192 \times BV_{DD} - 0.31\text{V}$	V
	VHYS5	Pin Group 6	Center point at $0.5 \times EV_{DD}$ <small>Note3</small>		$0.535 \times EV_{DD} - 0.9\text{V}$	V
High level output voltage <small>Note2</small>	VOH1	Pin Group 1x	IOH=-1.0mA	EVDD-1.0	EVDD	V
			IOH=-100uA	EVDD-0.5	EVDD	V
	VOH2	Pin Group 3x	IOH=-1.0mA	BVDD-1.0	BVDD	V
			IOH=-100uA	BVDD-0.5	BVDD	V
	VOH3	Pin Group 4	IOH=-1.0mA	AVREF0-1.0	AVREF0	V
			IOH=-100uA	AVREF0-0.5	AVREF0	V
VOH4	Pin Group 5	IOH=-1.0mA	AVREF1-1.0	AVREF1	V	
		IOH=-100uA	AVREF1-0.5	AVREF1	V	
Low level output voltage <small>Note2</small>	VOL1	Pin Group 1x	IOL=1.0mA	0	0.4	V
		P914, 915	IOL=3.0mA			
	VOL2	Pin Group 3x	IOL=1.0mA	0	0.4	V
	VOL3	Pin Group 4	IOL=1.0mA	0	0.4	V
VOL4	Pin Group 5	IOL=1.0mA	0	0.4	V	
Software pull-up resistor	R1	$V_I=0\text{V}$	10	30	100	k Ω
Software <small>Note1</small> pull-down resistor	R2	$V_I=V_{DD}$	10	30	100	k Ω

Remark: The characteristics of the dual-function pins are the same as those of the port pins unless otherwise specified.

Notes: 1. $\overline{\text{DRST}}$ terminal only. (Control register is OCDM)

2. Total IOH/IOL max is 20mA/-20mA each power supply line (EVDD, BVDD, AVREF0 and AVREF1).

AVREF0/AVREF1 IOH/IOL current is excluding ADC current IAREF0/IAREF1.

3. Typical value. Not tested and guaranteed

2.6.2 PIN leakage current

(Ta = -40 to +85°C, VDD = VDD1 = EVDD = BVDD = 3.3V to 5.5V, 4.0 ≤ AVREF0 ≤ 5.5V, 4.0 ≤ AVREF1 ≤ 5.5V, VSS = VSS1 = EVSS = BVSS = AVSS = AVSS1 = 0V)

Parameter	Symbol	Conditions	MIN.	TYP.	MAX.	Unit
High level input leakage current	ILIH1	VI=VDD	Analog pins		0.2	uA
			Other pins ^{Note1}		0.5	
Low level input leakage current	ILIL1	VI=0V	Analog pins		-0.2	
			Other pins ^{Note1}		-0.5	
High level output leakage current	ILOH1	VO=VDD	Analog pins		0.2	
			Other pins		0.5	
Low level output leakage current	ILOL1	VO=0V	Analog pins		-0.2	
			Other pins		-0.5	

Notes: 1. The input leakage current of FLMD0 is as follows:
 High level input leakage current : 2.0uA
 Low level input leakage current : -2.0uA

2.6.3 Power supply current (A-grade)

2.6.3.1 μ PD70F3383 / μ PD70F3384 / μ PD70F3385

(a) Absolute values

(Ta = -40 to +85°C,

VDD = VDD1 = EVDD = BVDD = 3.3V to 5.5V, $4.0 \leq AVREF0 \leq 5.5V$, $4.0 \leq AVREF1 \leq 5.5V$, VSS = VSS1 = EVSS = BVSS =AVSS = AVSS1 = 0V ^{Note1)})

Mode	Symbol	Condition				TYP.	MAX.	Unit
Operating mode Note2,8	IDD1	All peripherals running	Peripheral: f _{xx} PRSI option: 0	PLL: ON 12MHz ≤ f _{xx} ≤ 32MHz	f _{xx} =20MHz f _x =5MHz	35	47	mA
					f _{xx} =32MHz f _x =16MHz	52	68	mA
			PLL: OFF 4MHz ≤ f _{xx} ≤ 16MHz	f _{xx} =8MHz 8MHz Internal-OSC ^{Note3}	17	24	mA	
				f _{xx} =16MHz f _x =16MHz	29	38	mA	
		Peripheral: f _{xx} /2 PRSI option: 1	PLL: ON 12MHz ≤ f _{xx} ≤ 48MHz	f _{xx} =48MHz f _x =12MHz	63	81	mA	
			All peripherals stopped	Peripheral: f _{xx} PRSI option: 0	PLL: ON 12MHz ≤ f _{xx} ≤ 32MHz	f _{xx} =20MHz f _x =5MHz	28	
					f _{xx} =32MHz f _x =16MHz	41		mA
		PLL: OFF 4MHz ≤ f _{xx} ≤ 16MHz		f _{xx} =8MHz 8MHz Internal-OSC ^{Note3}	15		mA	
				f _{xx} =16MHz f _x =16MHz	23		mA	
		Peripheral: f _{xx} /2 PRSI option: 1	PLL: ON 12MHz ≤ f _{xx} ≤ 48MHz	f _{xx} =48MHz f _x =12MHz	54		mA	
HALT mode Note8	IDD2	All peripherals running	Peripheral: f _{xx} PRSI option: 0	PLL: ON 12MHz ≤ f _{xx} ≤ 32MHz	f _{xx} =20MHz f _x =5MHz	24	34	mA
					f _{xx} =32MHz f _x =16MHz	36	51	mA
			PLL: OFF 4MHz ≤ f _{xx} ≤ 16MHz	f _{xx} =8MHz 8MHz Internal-OSC ^{Note3}	10	16	mA	
				f _{xx} =16MHz f _x =16MHz	18	26	mA	
		Peripheral: f _{xx} /2 PRSI option: 1	PLL: ON 12MHz ≤ f _{xx} ≤ 48MHz	f _{xx} =48MHz f _x =12MHz	40	54	mA	
			All peripherals stopped	Peripheral: f _{xx} PRSI option: 0	PLL: ON 12MHz ≤ f _{xx} ≤ 32MHz	f _{xx} =20MHz f _x =5MHz	16	
					f _{xx} =32MHz f _x =16MHz	24		mA
		PLL: OFF 4MHz ≤ f _{xx} ≤ 16MHz		f _{xx} =8MHz 8MHz Internal-OSC ^{Note3}	8		mA	
				f _{xx} =16MHz f _x =16MHz	12		mA	
		Peripheral: f _{xx} /2 PRSI option: 1	PLL: ON 12MHz ≤ f _{xx} ≤ 48MHz	f _{xx} =48MHz f _x =12MHz	30		mA	

Mode	Symbol	Condition			TYP.	MAX.	Unit
IDLE1 mode	IDD3	Peripheral (TAA, UARTD) running	PLL: OFF 4MHz ≤ f _{xx} ≤ 16MHz Note7	f _{xx} =5MHz f _x =5MHz	2.6	3.3	mA
				f _{xx} =12MHz f _x =12MHz	4.1	5.3	mA
				f _{xx} =16MHz f _x =16MHz	4.9	6.5	mA
			f _{xx} =8MHz, 8MHz Internal-OSC ^{Note3}			3.0	3.9
		All peripherals stopped	PLL: OFF 4MHz ≤ f _{xx} ≤ 16MHz Note7	f _{xx} =5MHz f _x =5MHz	1.4		mA
				f _{xx} =12MHz f _x =12MHz	1.8		mA
				f _{xx} =16MHz f _x =16MHz	2.0		mA
			f _{xx} =8MHz, 8MHz Internal-OSC ^{Note3}			1.3	
IDLE2 mode	IDD4	PLL: OFF 4MHz ≤ f _{xx} ≤ 16MHz Note7	f _{xx} =5MHz f _x =5MHz	0.4	0.7	mA	
			f _{xx} =12MHz f _x =12MHz	0.7	1.0	mA	
			f _{xx} =16MHz f _x =16MHz	0.8	1.2	mA	
		f _{xx} =8MHz, 8MHz Internal-OSC ^{Note3}			0.2	0.5	mA
SUB operating mode ^{Note5}	IDD5	Crystal resonator (f _{xt} = 32,768kHz)			90	400	μA
		RC resonator (f _{xt} =20kHz) ^{Note6}			90	400	μA
		240 kHz Internal-OSC (SubOSC stopped)			330	1310	μA
SubIDLE mode ^{Note3,5}	IDD6	Crystal resonator (f _{xt} = 32,768kHz)			20	190	μA
		RC resonator (f _{xt} =20kHz) ^{Note6}			40	220	μA
		240kHz Internal-OSC (SubOSC stopped)			25	180	μA
STOP mode ^{Note3,4}	IDD7	POC stop	240kHz Internal-OSC stop		7.5	100	μA
			240kHz Internal-OSC working		15.5	115	μA
		POC work	240kHz Internal-OSC stop		10.5	105	μA
			240kHz Internal-OSC working		18.5	120	μA

(b) Calculation formulas

(Ta = -40 to +85°C, VDD = VDD1 = EVDD = BVDD = 3.3V to 5.5V,

VSS = VSS1 = EVSS = BVSS = AVSS = AVSS1 = 0V) ^{Note1)}

Mode	Symbol	Condition		TYP. ^{Note9}	MAX. ^{Note9}	Unit		
Operating mode Note2,8	IDD1	All peripherals running	Peripheral: f _{xx} PRSI option: 0	PLL: ON 12MHz ≤ f _{xx} ≤ 32MHz	1.39·f _{xx} +7.5	1.67·f _{xx} +14.0	mA	
				PLL: OFF 4MHz ≤ f _{xx} ≤ 16MHz	1.44·f _{xx} +5.5	1.73·f _{xx} +10.6	mA	
			Peripheral: f _{xx} /2 PRSI option: 1	PLL: ON 12MHz ≤ f _{xx} ≤ 48MHz	1.17·f _{xx} +6.9	1.41·f _{xx} +13.3	mA	
		All peripherals stopped		Peripheral: f _{xx} PRSI option: 0	PLL: ON 12MHz ≤ f _{xx} ≤ 32MHz	1.06·f _{xx} +7.2		mA
					PLL: OFF 4MHz ≤ f _{xx} ≤ 16MHz	1.00·f _{xx} +7.0		mA
				Peripheral: f _{xx} /2 PRSI option: 1	PLL: ON 12MHz ≤ f _{xx} ≤ 48MHz	0.96·f _{xx} +7.8		mA
HALT mode Note8	IDD2	All peripherals running	Peripheral: f _{xx} PRSI option: 0	PLL: ON 16MHz ≤ f _{xx} ≤ 32MHz	1.00·f _{xx} +4.0	1.40·f _{xx} +6.4	mA	
				PLL: OFF 4MHz ≤ f _{xx} ≤ 16MHz	0.94·f _{xx} +2.7	1.27·f _{xx} +5.4	mA	
			Peripheral: f _{xx} /2 PRSI option: 1	PLL: ON 16MHz ≤ f _{xx} ≤ 48MHz	0.75·f _{xx} +4.0	0.94·f _{xx} +9.0	mA	
		All peripherals stopped	Peripheral: f _{xx} PRSI option: 0	PLL: ON 16MHz ≤ f _{xx} ≤ 32MHz	0.65·f _{xx} +3.4		mA	
				PLL: OFF 4MHz ≤ f _{xx} ≤ 16MHz	0.59·f _{xx} +2.8		mA	
			Peripheral: f _{xx} /2 PRSI option: 1	PLL: ON 16MHz ≤ f _{xx} ≤ 48MHz	0.54·f _{xx} +4.4		mA	
IDLE1 mode	IDD3	Peripheral (TAA, UARTD) running	PLL: OFF 4MHz ≤ f _{xx} ≤ 16MHz	0.211·f _{xx} +1.54	0.295·f _{xx} + 1.80	mA		
		All peripherals stopped	Note7	0.054·f _{xx} +1.15		mA		
IDLE2 mode	IDD4	PLL: OFF 4MHz ≤ f _{xx} ≤ 16MHz ^{Note7}		0.037·f _{xx} +0.21	0.049·f _{xx} + 0.43	mA		

Notes: 1. VDD, VDD1, EVDD and BVDD total current. (Ports are stopped).

AVREF0 and AVREF1 current, port buffer current (including a current flowing in the on-chip pull-up/pull-down resistor) are not included.

2. The code flash and the data flash are in read mode.

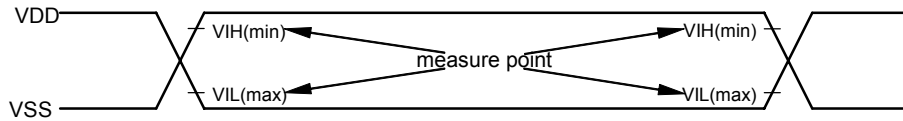
When the device is in programming mode (Self-programming mode or EEPROM emulation mode), the current value (MAX. value) adds by the following value:

- Self-programming mode:
 - + In case of PLL OFF: 14-(0.33·f_{xx}/2+0.1)*2 [mA]
 - + In case of PLL ON: 14-(0.18·f_{xx}/2+3.0)*2 [mA]
- EEPROM emulation mode:
 - + 7-(0.18·f_{xx}/4+3.0) [mA]

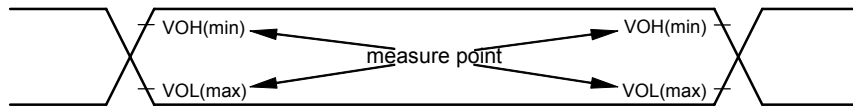
3. Main OSC is stopped.**4.** Do not use SubOSC.**5.** POC is working. 240kHz Internal-OSC is working. 8MHz Internal-OSC is stopped.**6.** RC Oscillation frequency is typ.40kHz. This clock is divided by 2 internally.**7.** 8MHz Internal-OSC is stopped**8.** When the SSCG is running, the current value adds typ +2.5mA, max +4mA.**9.** The formulas are for reference only. Not all possible values for f_{xx} are tested in the outgoing device inspection.

2.7 AC Characteristics

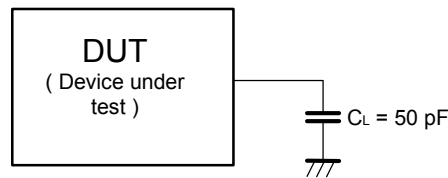
AC test Input measurement points (VDD, AVREF0,AVREF1, EVDD, BVDD)



AC test output measurement points



Load conditions



Caution: If the load capacitance exceeds 50pF due to the circuit configuration, reduce the load capacitance of the device to 50pF or less by inserting a buffer or by some other means.

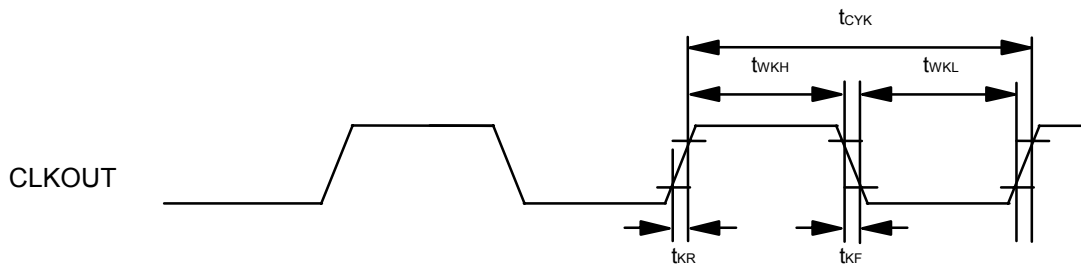
2.7.1 CLKOUT Output Timing

(Ta = -40 to +85°C,

VDD = VDD1 = EVDD = BVDD = 3.5V to 5.5V, 4.0 ≤ AVREF0 ≤ 5.5V, 4.0 ≤ AVREF1 ≤ 5.5V, VSS = VSS1 = EVSS = BVSS = AVSS = AVSS1 = 0V, CL = 50pF)

Parameter	Symbol	Conditions	MIN.	MAX.	Unit
Output cycle	tCYK	VDD = VDD1 = EVDD = BVDD = 4.0V ~ 5.5V	31.25ns	80μs	
		VDD = VDD1 = EVDD = BVDD = 3.5V ~ 5.5V	50ns		
High level width	tWKH	VDD = VDD1 = EVDD = BVDD = 4.0V ~ 5.5V	tCYK/2-13		ns
		VDD = VDD1 = EVDD = BVDD = 3.5V ~ 5.5V	tCYK/2-15		
Low level width	tWKL	VDD = VDD1 = EVDD = BVDD = 4.0V ~ 5.5V	tCYK/2-13		ns
		VDD = VDD1 = EVDD = BVDD = 3.5V ~ 5.5V	tCYK/2-15		
Rise time	tKR	VDD = VDD1 = EVDD = BVDD = 4.0V ~ 5.5V		13	ns
		VDD = VDD1 = EVDD = BVDD = 3.5V ~ 5.5V		15	
Fall time	tKF	VDD = VDD1 = EVDD = BVDD = 4.0V ~ 5.5V		13	ns
		VDD = VDD1 = EVDD = BVDD = 3.5V ~ 5.5V		15	

CLKOUT output timing



2.7.2 Bus Timing (Multiplexed bus mode)

(a) CLKOUT asynchronous: In multiplexed bus mode

(Ta = -40 to +85°C,

3.5V ≤ VDD = VDD1 = EVDD = BVDD < 5.5V, 4.0 ≤ AVREF0 ≤ 5.5V, 4.0 ≤ AVREF1 ≤ 5.5V, VSS = VSS1 = EVSS = BVSS = AVSS = AVSS1 = 0V, CL = 50pF)

Parameter	Symbol		Conditions	MIN.	MAX.	Unit
Address setup time (to ASTB↓)	tSAST	<14>		$(0.5+t_{ASW})T-20$		ns
Address hold time (from ASTB↓)	tHSTA	<15>		$(0.5+t_{AHW})T-15$		ns
Delay time from _RD↓ to address float	tFRDA	<16>			16	ns
Data Input setup time from address	tSAID	<17>			$(2+n+t_{ASW}+t_{AHW})T-40$	ns
Data Input setup time from _RD↓	tSRDID	<18>			$(1+n)T-34$	ns
Delay time from ASTB↓ to _RD↓, _WRm↓	tDSTRDWR	<19>		$(0.5+t_{AHW})T-15$		ns
Data Input hold time (from _RD↑)	tHRDID	<20>		0		ns
Address output time from _RD↑	tDRDA	<21>		$(1+i+t_{AHW})T-15$		ns
Delay time from _RD↑, _WRm↑ to ASTB↑	tDRDWRST	<22>		0.5T-15		ns
Delay time from _RD↑ to ASTB↓	tDRDST	<23>		$(1.5+i+t_{AHW})T-15$		ns
_RD, _WRn low level width	tWRDWRL	<24>		$(1+n)T-20$		ns
ASTB high level width	tWSTH	<25>		$(1+i+t_{ASW})T-15$		ns
Data output time from _WRm↓	tDWROD	<26>			15	ns
Data output setup time (to _WRm↑)	tSODWR	<27>		$(1+n)T-25$		ns
Data output hold time (from _WRm↑)	tHWROD	<28>		T-15		ns
WAIT setup time (to address)	tSAWT1	<29>	n ≥ 1		$(1.5+t{ASW}+t_{AHW})T-45$	ns
	tSAWT2	<30>			$(1.5+n+t_{ASW}+t_{AHW})T-45$	ns
WAIT hold time (from address)	tHAWT1	<31>	n ≥ 1	$(0.5+n+t{ASW}+t_{AHW})T$		ns
	tHAWT2	<32>		$(1.5+n+t_{ASW}+t_{AHW})T$		ns
WAIT setup time (to ASTB↓)	tSSTWT1	<33>	n ≥ 1		$(1+t{AHW})T-35$	ns
	tSSTWT2	<34>			$(1+n+t_{AHW})T-35$	ns
WAIT hold time (from ASTB↓)	tHSTWT1	<35>	n ≥ 1	$(n+t{AHW})T$		ns
	tHSTWT2	<36>		$(1+n+t_{AHW})T$		ns
_HLDRQ high level width	tWHQH	<37>		T+10		ns
_HLDAK low level width	tWHAL	<38>		T-20		ns
Delay time from _HLDAK↑ to bus output	tDHAC	<40>		-3		ns
Delay time from _HLDRQ↓ to _HLDAK↓	tDHQA1	<41>			$(2n+7.5)T+25$	ns
Delay time from _HLDRQ↑ to _HLDAK↑	tDHQA2	<42>		0.5T	1.5T+35	ns

(b) CLKOUT synchronous: In multiplexed bus mode

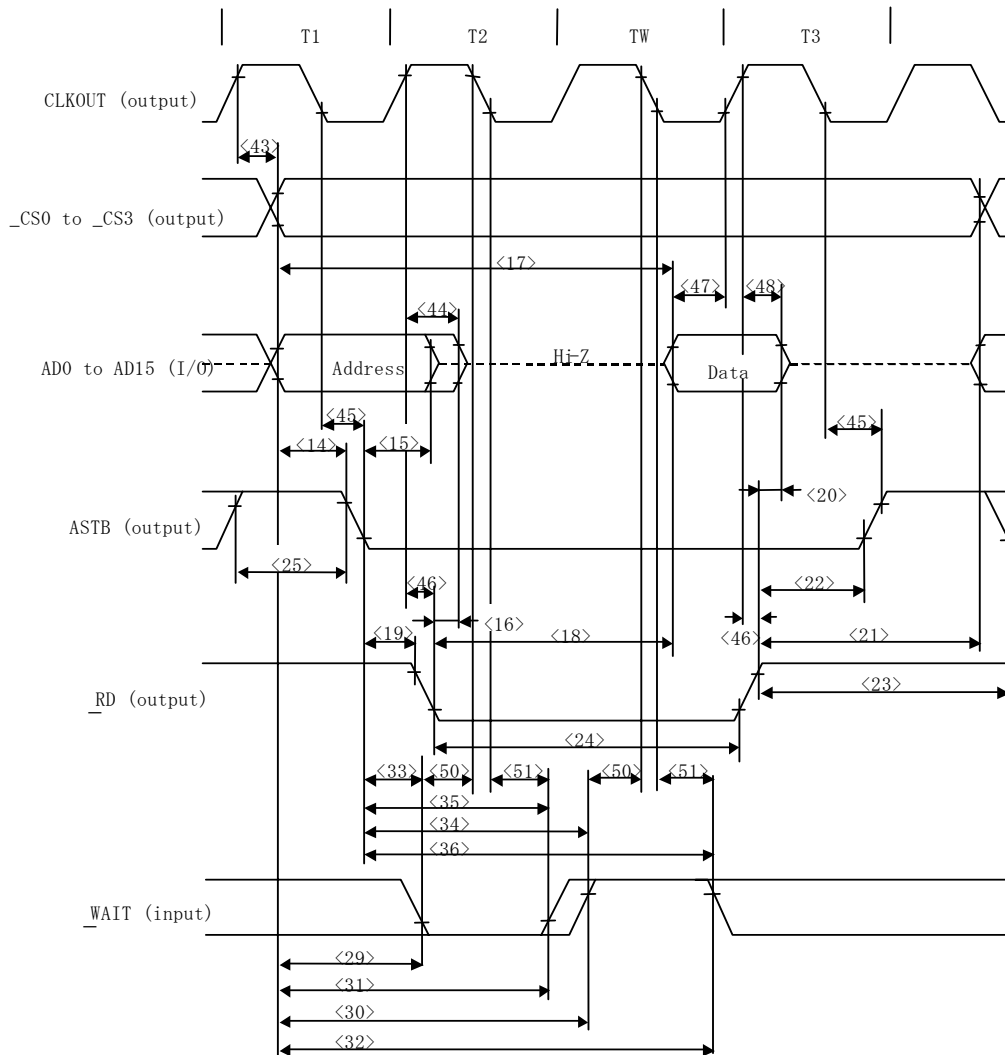
(Ta = -40 to +85°C,

3.5V ≤ VDD = VDD1 = EVDD = BVDD < 5.5V, 4.0 ≤ AVREF0 ≤ 5.5V, 4.0 ≤ AVREF1 ≤ 5.5V, VSS = VSS1 = EVSS = BVSS = AVSS = AVSS1 = 0V, CL = 50pF)

Parameter	Symbol	Conditions	MIN.	MAX.	Unit
Delay time from CLKOUT↑ to address	tDKA	<43>	0	24	ns
Delay time from CLKOUT↑ to address float	tFKA	<44>	0	24	ns
Delay time from CLKOUT↓ to ASTB	tDKST	<45>	-7	18	ns
Delay time from CLKOUT↑ to <u>_RD, _WR</u> m	tDKRDWR	<46>	-2	18	ns
Data Input setup time (from CLKOUT↑)	tSIDK	<47>	20		ns
Data Input hold time (from CLKOUT↑)	tHKID	<48>	5		ns
Data output delay time (from CLKOUT↑)	tDKOD	<49>		27	ns
<u>_WAIT</u> setup time (to CLKOUT↓)	tSWTK	<50>	30		ns
<u>_WAIT</u> hold time (from CLKOUT↓)	tHKWT	<51>	5		ns
<u>HLDRQ</u> setup time (to CLKOUT↓)	tSHQK	<52>	30		ns
<u>_HLDRQ</u> hold time (from CLKOUT↓)	tHKHQ	<53>	5		ns
Delay time from CLKOUT↑ to <u>_HLDAK</u>	tDKHA	<54>		24	ns
Delay time from CLKOUT↑ to address float	tDKF	<55>		25	ns

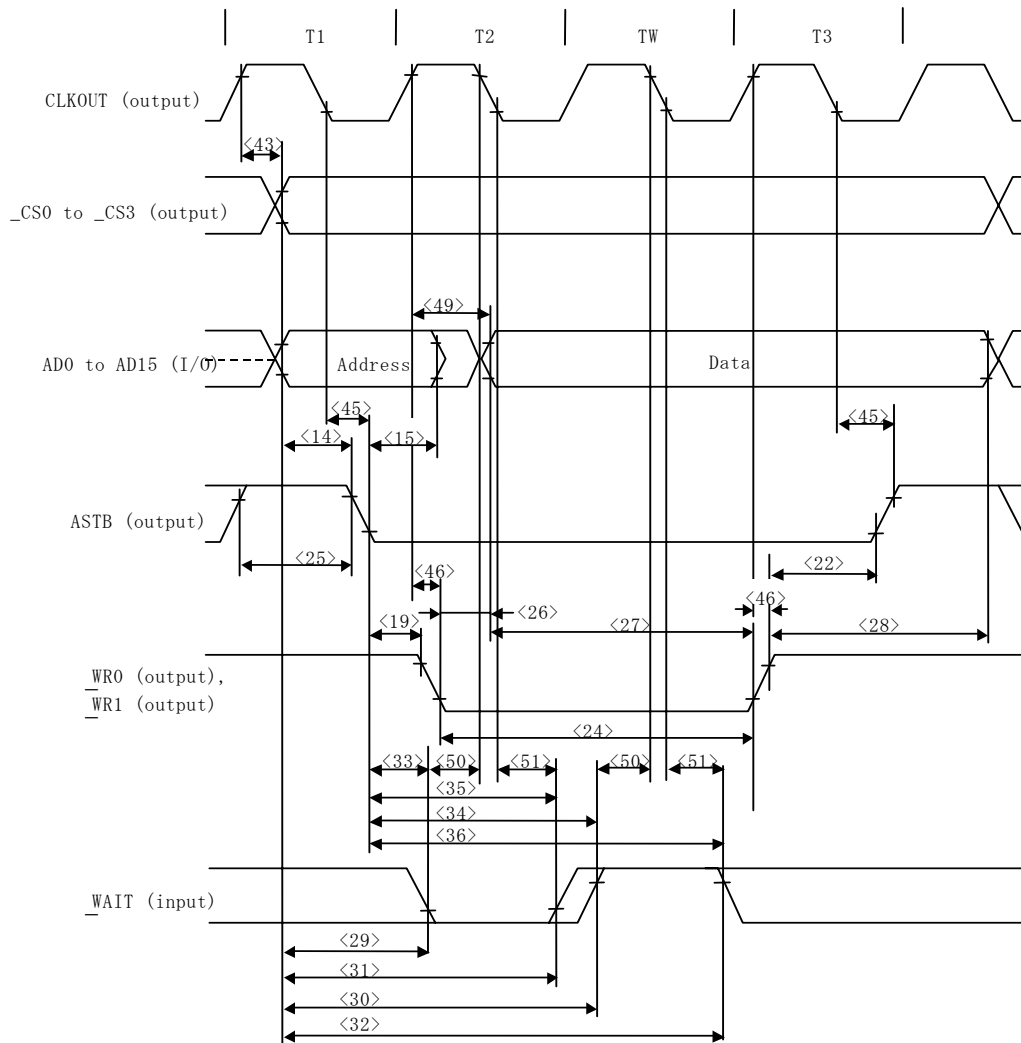
- Remarks:**
1. T=1/fcpu (fcpu: CPU operation clock frequency)
 2. n: Number of wait clocks Inserted In the bus cycle.
The sampling timing changes when a programmable wait is Inserted.
 3. i: Number of Idle states Inserted after the read cycle (0 or 1).
 4. The values In the above specifications are values for when clocks with a 1: 1 duty ratio are Input from X1
 5. m=0,1
 6. t_{ASW}=Number of address setup wait clocks (0 or 1)
t_{AHW}=Number of address hold wait clocks (0 or 1)
 7. When the operation frequency is high, it is not possible to access by no wait bus cycle. Please insert wait clock (data wait (n) / address setup wait (t_{ASW}) / address hold wait (t_{AHW})).
Example: Set the following in accordance to the CPU operating clock frequency (k=0 to 3).
 - 30ns ≤ 1/fcpu < 40ns: Set address setup wait (AWC.ASWk bit=1).
 - 20.8ns ≤ 1/fcpu < 30ns: Set address setup wait (AWC.ASWk bit=1) and address hold wait (AWC.AHWk bit=1).
 - 20.8ns ≤ 1/fcpu ≤ 25ns: Set a data wait (minimum 1 wait)

Read Cycle (CLKOUT Synchronous/ Asynchronous, 1 Wait): In Multiplexed Bus Mode



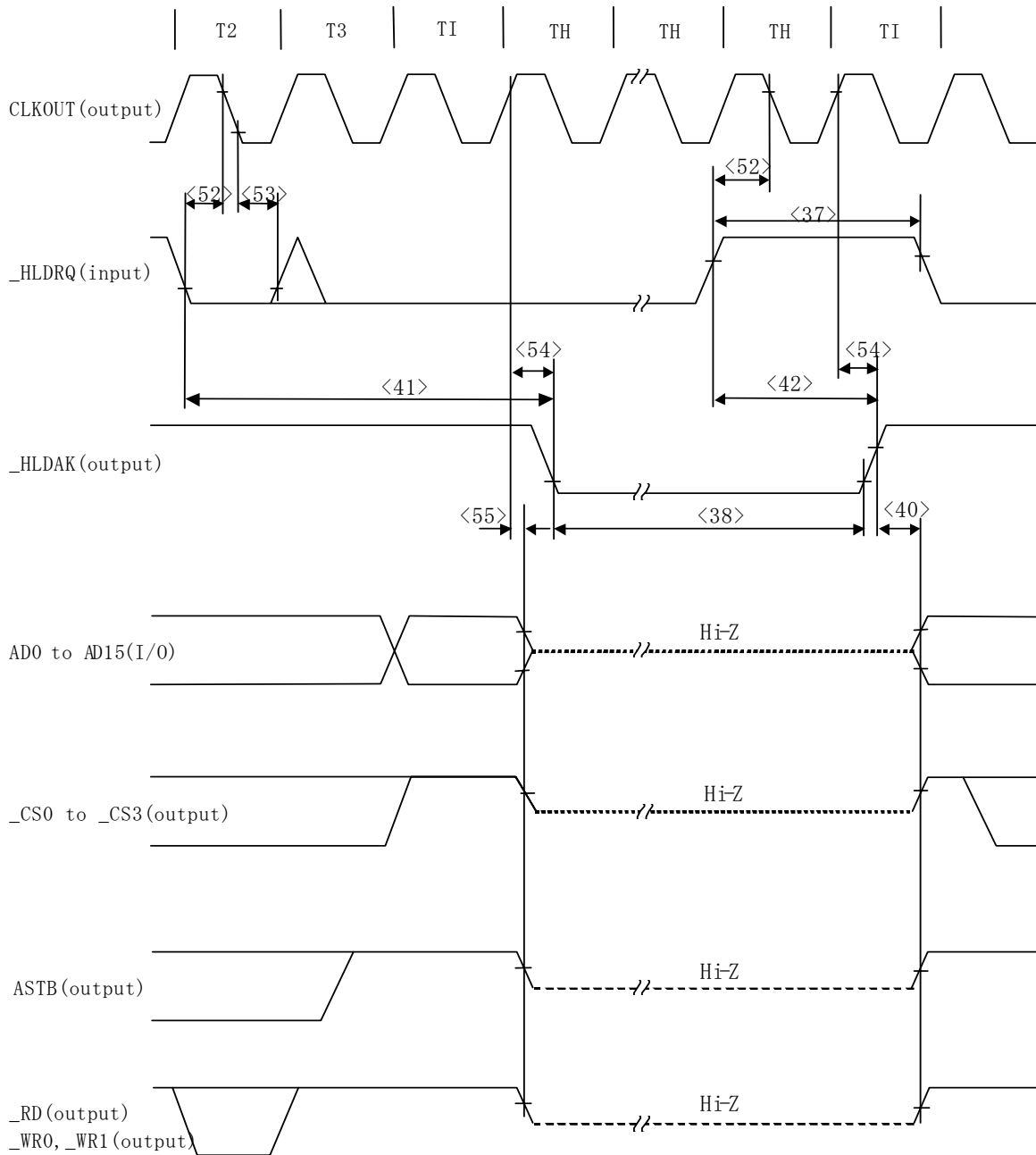
Remark: `_WR0` and `_WR1` are high level.

Write Cycle (CLKOUT Synchronous/ Asynchronous, 1 Wait): In Multiplexed Bus Mode



Remark: _RD is high level.

Bus Hold: In Multiplexed Bus Mode



2.7.3 RESET, Interrupt, ADTRG Timing

(Ta = -40 to +85°C, VDD = VDD1 = EVDD = BVDD = 3.3V to 5.5V, 4.0 ≤ AVREF0 ≤ 5.5V, 4.0 ≤ AVREF1 ≤ 5.5V, VSS = VSS1 = EVSS = BVSS = AVSS = AVSS1 = 0V, CL = 50pF)

Parameter	Symbol	Conditions	MIN.	TYP.	MAX.	Unit
RESET input low level width	tWRSL	analog filter	250			ns
NMI input high level width	tWNIH	analog filter	250			ns
NMI input low level width	tWNIL	analog filter	250			ns
INTPn ^{Note1} input high level width	tWITH	analog filter ,n=0-14	250			ns
		digital filter ,n=3	Note2			ns
INTPn ^{Note1} input low level width	tWITL	analog filter ,n=0-14	250			ns
		digital filter ,n=3	Note2			ns
ADTRG1 input high level width	tWADH	analog filter	250			ns
ADTRG1 input low level width	tWADL	analog filter	250			ns

- Notes:** 1. ADTRG is same spec (P03/INTP0/ADTRG). DRST is same spec (P05/INTP2/DRST)
 2. 2Tsamp+20 or 3Tsamp+20 ("Tsamp" is Noise reject sampling clock (NF macro))

- Remarks:** 1. The above minimum values show pulse widths that are surely detected as an effective edge. An effective may also be detected even if the input pulse width is less than the above minimum specification.
 2. RESET, NMI, INTPn, ADTRG, ADTRG1 and DRST have analog noise filter. The typical filter time is typ=60ns.

2.7.4 Key Return Timing

(Ta = -40 to +85°C, VDD = VDD1 = EVDD = BVDD = 3.3V to 5.5V, 4.0 ≤ AVREF0 ≤ 5.5V, 4.0 ≤ AVREF1 ≤ 5.5V, VSS = VSS1 = EVSS = BVSS = AVSS = AVSS1 = 0V, CL = 50pF)

Parameter	Symbol	Conditions	MIN.	TYP.	MAX.	Unit
KRn input high level width	tWKRH	analog filter ,n=0-7	250			ns
KRn input low level width	tWKRL	analog filter ,n=0-7	250			ns

- Remarks:** 1. The above minimum values show pulse widths that are surely detected as an effective edge. An effective may also be detected even if the input pulse width is less than the above minimum specification.
 2. KRn inputs have analog noise filter. The typical filter time is typ=60ns.

2.7.5 Timer Timing

(Ta = -40 to +85°C, VDD = VDD1 = EVDD = BVDD = 3.5V to 5.5V, 4.0 ≤ AVREF0 ≤ 5.5V, 4.0 ≤ AVREF1 ≤ 5.5V, VSS = VSS1 = EVSS = BVSS = AVSS = AVSS1 = 0V, CL = 50pF)

Parameter	Symbol	Conditions	MIN.	TYP.	MAX.	Unit
TI input high level width	tTIH	TIAA00-01,10-11,20-21,30-31,40-41 ^{Note1}	250			ns
		TIAA50-51,60-61,70-71 ^{Note1}				
		TIAB00-03,10-13,20-23 ^{Note1}				
TI input low level width	tTIL	TIAA00-01,10-11,20-21,30-31,40-41 ^{Note1}	250			ns
		TIAA50-51,60-61,70-71 ^{Note1}				
		TIAB00-03,10-13,20-23 ^{Note1}				
TO output cycle	tTCYK	TIAA00-01,10-11,20-21,30-31,40-41 ^{Note1}	4.0V ≤ VDD ≤ 5.5V		16	MHz
		TIAA50-51,60-61,70-71 ^{Note1}	3.5V ≤ VDD < 4.0V		10	
		TIAB00-03,10-13,20-23 ^{Note1}				

- Notes:** 1. Except for the external trigger and external event function.

- Remarks:** 1. The above minimum values show pulse widths that are surely detected as an effective edge. An effective may also be detected even if the input pulse width is less than the above minimum specification.
 2. TIAAn and TIABn inputs have analog noise filter. The typical filter time is typ=60ns.

2.7.6 CSI Timing

(a) Master mode

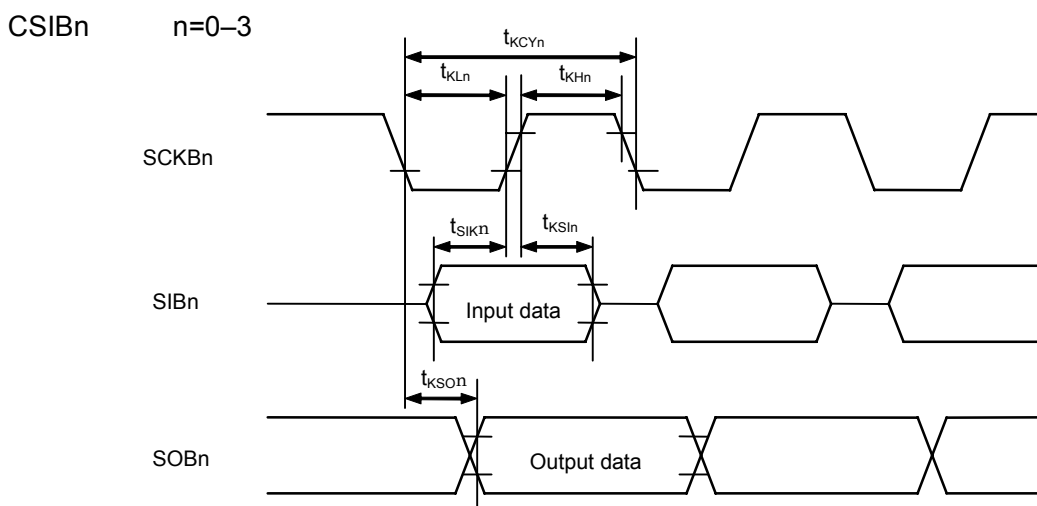
(Ta = -40 to +85°C, VDD = VDD1 = EVDD = BVDD = 3.5V to 5.5V, 4.0 ≤ AVREF0 ≤ 5.5V, 4.0 ≤ AVREF1 ≤ 5.5V, VSS = VSS1 = EVSS = BVSS = AVSS = AVSS1 = 0V, CL = 50pF)

Parameter	Symbol	Conditions	MIN.	MAX.	Unit
SCKBn cycle time	tKCY1		125		ns
SCKBn high level width	tKH1		tKCY1/2-15		ns
SCKBn low level width	tKL1		tKCY1/2-15		ns
SIBn setup time (to SCKBn)	tSIK1		30		ns
SIBn hold time (from SCKBn)	tKSI1		25		ns
Delay time from SCKBn to SOBn	tKSO1			25	ns

(b) Slave mode

(Ta = -40 to +85°C, VDD = VDD1 = EVDD = BVDD = 3.5V to 5.5V, 4.0 ≤ AVREF0 ≤ 5.5V, 4.0 ≤ AVREF1 ≤ 5.5V, VSS = VSS1 = EVSS = BVSS = AVSS = AVSS1 = 0V, CL = 50pF)

Parameter	Symbol	Conditions	MIN.	MAX.	Unit
SCKBn cycle time	tKCY1		200		ns
SCKBn high level width	tKH1		90		ns
SCKBn low level width	tKL1		90		ns
SIBn setup time (to SCKBn)	tSIK1		50		ns
SIBn hold time (from SCKBn)	tKSI1		50		ns
Delay time from SCKBn to SOBn	tKSO1			50	ns



2.7.7 UART Timing

(Ta = -40 to +85°C, VDD = VDD1 = EVDD = BVDD = 3.5V to 5.5V, 4.0 ≤ AVREF0 ≤ 5.5V, 4.0 ≤ AVREF1 ≤ 5.5V, VSS = VSS1 = EVSS = BVSS = AVSS = AVSS1 = 0V, CL = 50pF)

Parameter	Symbol	Conditions	MIN.	TYP.	MAX.	Unit
Transfer rate					1.5	Mbps
ASCK0 frequency					10	MHz

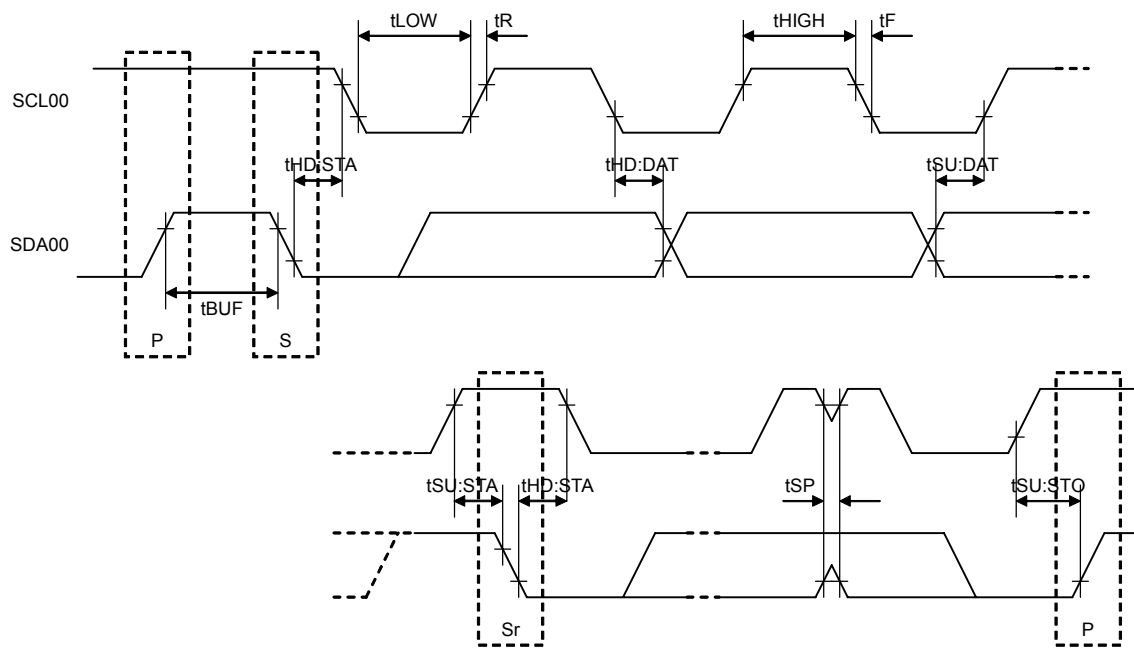
2.7.8 IIC Timing

Ta = -40 to +85°C, VDD = VDD1 = EVDD = BVDD = 3.5V to 5.5V, 4.0 ≤ AVREF0 ≤ 5.5V, 4.0 ≤ AVREF1 ≤ 5.5V, VSS = VSS1 = EVSS = BVSS = AVSS = AVSS1 = 0V, CL = 50pF)

Parameter	Symbol	Normal mode		High-speed mode		Unit
		min.	max.	min.	max.	
SCL00 clock frequency	fCLK	0	100	0	400	kHz
Bus-free time (between stop/start conditions)	tBUF	4.7		1.3		us
Hold time ^{Note1}	tHD:STA	4.0		0.6		us
SCL00 clock low-level width	tLOW	4.7		1.3		us
SCL00 clock high-level width	tHIGH	4.0		0.6		us
Setup time for start/restart conditions	tSU:STA	4.7		0.6		us
Data hold time	CBUS compatible master	5.0				us
	IIC mode	0 ^{Note2}		0 ^{Note2}	0.9 ^{Note3}	us
Data setup time	tSU:DAT	250		100 ^{Note4}		ns
SDA00 and SCL00 signal rise time	tR		1000	20+0.1Cb	300	ns
SDA00 and SCL00 signal fall time	tF		300	20+0.1Cb	300	ns
Stop condition setup time	tSU:STO	4.0		0.6		us
Pulse width with spike suppressed by input filter	tSP			0	50	ns
Capacitance load of each bus line	Cb		400		400	pF

- Notes:**
- At the start condition, the first clock pulse is generated after the hold time
 - The system requires a minimum of 300ns hold time Internally for the SDA signal (at VIH-min. of SCL00 signal)
In order to occupy the undefined area at the falling edge of SCL00.
 - If the system does not extend the SCL00 signal low hold time (tLOW), only the maximum data hold time (tHD:DAT) needs to be satisfied.
 - The high-speed-mode IIC bus can be used In a normal-mode IIC bus system.
In this case, set the high-speed-mode IIC bus so that It meets the following conditions.
 - If the system does not extend the SCL00 signal's low state hold time:
tSU:DAT ≥ 250ns
 - If the system extends the SCL00 signal's low state hold time:
Transmit the following data bit to the SDA00 line prior to releasing the SCL00 line (tRmax.+tSU:DAT=1000+250=1250ns: Normal mode IIC bus specification).
 - Cb: Total capacitance of one bus line (unit: pF)

IIC bus interface timing

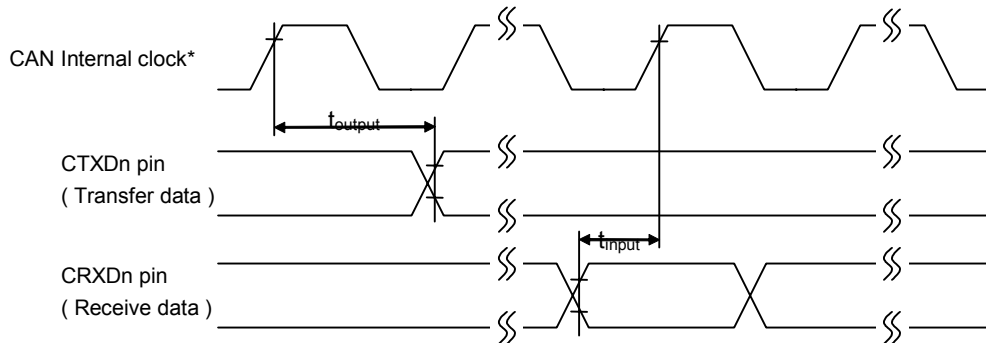


Remark: P: Stop condition
 S: Start condition
 Sr: Restart condition

2.7.9 CAN Timing

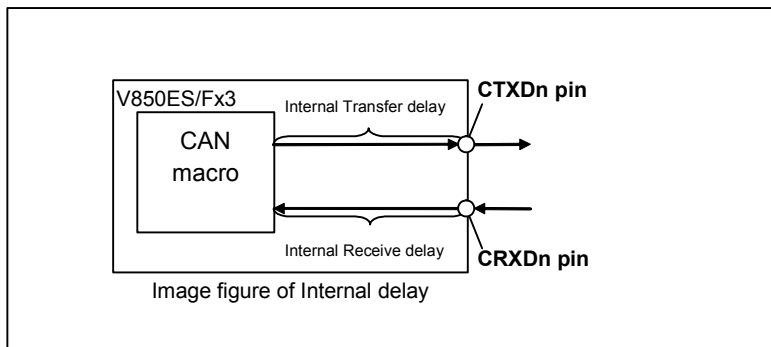
($T_a = -40$ to $+85^\circ\text{C}$, $V_{DD} = V_{DD1} = EV_{DD} = BV_{DD} = 3.5\text{V}$ to 5.5V , $4.0 \leq AV_{REF0} \leq 5.5\text{V}$, $4.0 \leq AV_{REF1} \leq 5.5\text{V}$, $V_{SS} = V_{SS1} = EV_{SS} = BV_{SS} = AV_{SS} = AV_{SS1} = 0\text{V}$, $CL = 50\text{pF}$)

Parameter	Symbol	Conditions	MIN.	TYP.	MAX.	Unit
Transfer rate					1	Mbps
Internal delay time					100	ns



Internal delay time (t_{NODE}) = Internal Transfer Delay(t_{output}) + Internal Receive Delay(t_{input})

*) CAN Internal clock (f_{CAN}): CAN baud rate clock



2.8 A/D Converter

(a) AD0

(Ta = -40 to +85°C, VDD = VDD1 = EVDD = BVDD = 3.5V to 5.5V, 4.0 ≤ AVREF0 ≤ 5.5V, 4.0 ≤ AVREF1 ≤ 5.5V, VSS = VSS1 = EVSS = BVSS = AVSS = AVSS1 = 0V, CL = 50pF)

Parameter	Symbol	Conditions	MIN.	TYP.	MAX.	Unit
Resolution					10	bit
Overall error ^{Note1}		4.0V ≤ AVREF0 < 5.5V		±0.15	±0.3	%FSR
Conversion time	tCONV		3.10		16	μs
Stabilization time	tSTA	After ADA0PS bit = 0 → 1	2			μs
Recovery time for power down mode	tDPU		1			μs
Zero-scale error ^{Note1}	ZSE				±0.3	%FSR
Full-scale error ^{Note1}	FSE				±0.3	%FSR
Integral non-linearity error ^{Note2}	INL				±2.5	LSB
Differential non-linearity error ^{Note2}	DNL				±1.5	LSB
Analog input voltage	VIAN		AVSS		AVREF0	V
Analog input equivalent circuit capacitance ^{Note3,4}	CINA				6.19	pF
Analog input equivalent circuit resistance ^{Note3}	RINA				2.55	kΩ
AVREF0 current	IAREF0	A/D operating		4	7	mA
		A/D operation stop		1	10	μA
Conversion result when using Diagnostic function		AVREF0 conversion	3FC		3FF	HEX
		AVSS conversion	000		003	HEX

(b) AD1

(Ta = -40 to +85°C, VDD = VDD1 = EVDD = BVDD = 3.5V to 5.5V, 4.0 ≤ AVREF0 ≤ 5.5V, 4.0 ≤ AVREF1 ≤ 5.5V, VSS = VSS1 = EVSS = BVSS = AVSS = AVSS1 = 0V, CL = 50pF)

Parameter	Symbol	Conditions	MIN.	TYP.	MAX.	Unit
Resolution					10	bit
Overall error ^{Note1}		4.0V ≤ AVREF1 < 5.5V		±0.15	±0.3	%FSR
Conversion time	tCONV		3.10		16	μs
Stabilization time	tSTA	After ADA1PS bit = 0 → 1	2			μs
Recovery time for power down mode	tDPU		1			μs
Zero-scale error ^{Note1}	ZSE				±0.3	%FSR
Full-scale error ^{Note1}	FSE				±0.3	%FSR
Integral non-linearity error ^{Note2}	INL				±2.5	LSB
Differential non-linearity error ^{Note2}	DNL				±1.5	LSB
Analog input voltage	VIAN		AVSS		AVREF1	V
Analog input equivalent circuit capacitance ^{Note3,4}	CINA				5.51	pF
Analog input equivalent circuit resistance ^{Note3}	RINA				2.30	kΩ
AVREF1 current	IAREF1	A/D operating		4	7	mA
		A/D operation stop		1	10	μA
Conversion result when using Diagnostic function		AVREF1 conversion	3FC		3FF	HEX
		AVSS1 conversion	000		003	HEX

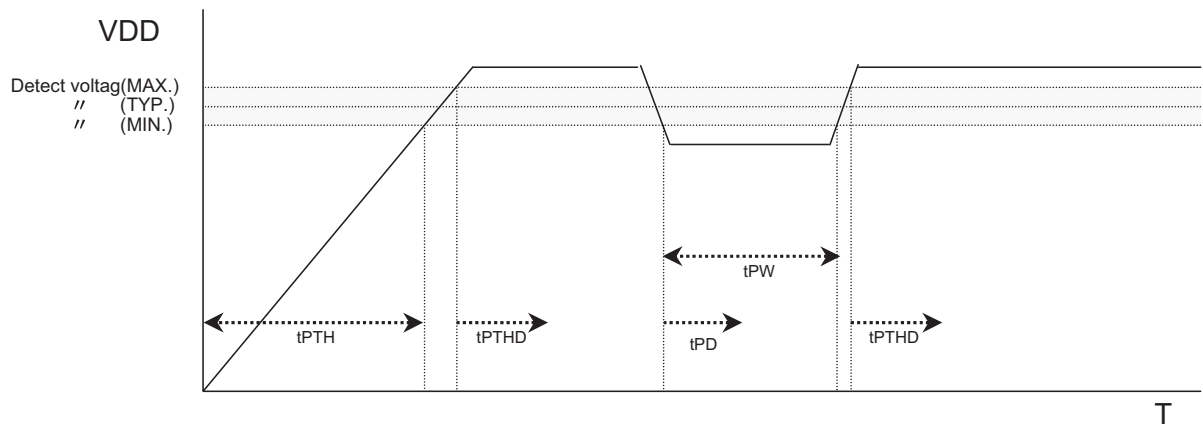
- Notes:**
1. Overall error excluding quantization error (±0.05%FSE). It is indicated as a ratio to the full-scale value.
 2. Excluding quantization error (±1/2 LSB)
 3. Not tested in production.
 4. Does not include input/output capacitance CIO

2.9 POC

(Ta = -40 to +85°C, VDD = VDD1 = EVDD = BVDD, VSS = VSS1 = EVSS = BVSS = AVSS = AVSS1 = 0V, CL = 50pF)

Parameter	Symbol	Conditions	MIN.	TYP.	MAX.	Unit
Detect voltage	VPOC0		3.3	3.5	3.7	V
Supply voltage rise time	tPTH	From VDD=0V to VDD=3.3V	0.002			ms
Response time1 ^{Note1}	tPTHD	In case of power on. After VDD reaches 3.7V.			2.0	ms
Response time2 ^{Note2}	tPD	In case of power off. After VDD drop 3.3V.		0.2	1.0	ms
VDD minimum width	tPW		0.2			ms

- Notes:** 1. From detect voltage to release reset signal
 2. From detect voltage to occurrence of reset signal



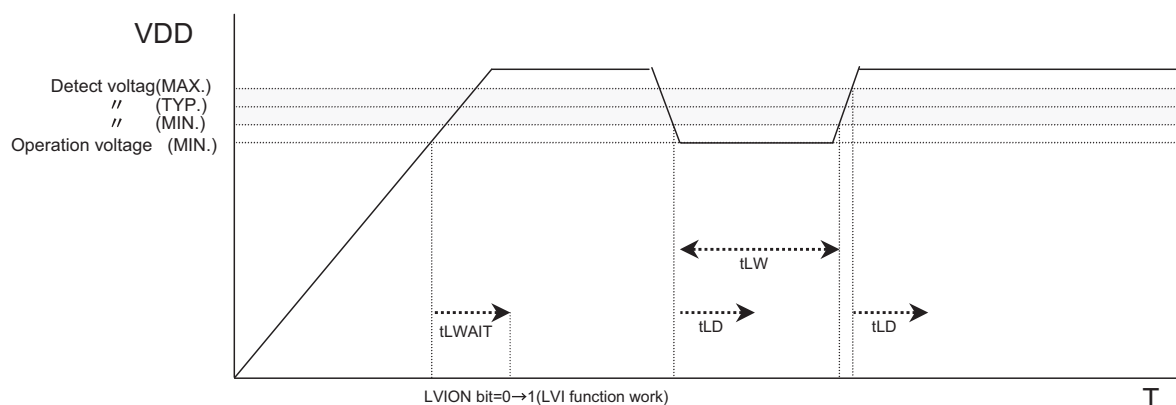
Note: POC is available only in M2 devices. Refer to 'Ordering information' in the V850ES/Fx3 User's Manual.

2.10 LVI

(Ta = -40 to +85°C,
VDD = VDD1 = EVDD = BVDD = 3.3V to 5.5V, 4.0 ≤ AVREF0 ≤ 5.5V, 4.0 ≤ AVREF1 ≤ 5.5V,
VSS = VSS1 = EVSS = BVSS = AVSS = AVSS1 = 0V, CL = 50pF)

Parameter	Symbol	Conditions	MIN.	TYP.	MAX.	Unit
Detect voltage	VLVI0		3.8	4.0	4.2	V
	VLVI1		3.5	3.7	3.9	V
Response time ^{Note1}	tLD	After VDD reaches VLVI0/1(max). After VDD drop VLVI0/1(min).		0.2	2.0	ms
VDD minimum width	tLW		0.2			ms
Reference voltage stabilization wait time ^{Note2}	tLWAIT	After VDD reaches 3.3V. After LVION bit (LVIM.bit7) = 0->1		0.1	0.2	ms

- Notes:** 1. From detect voltage to occurrence interrupt/reset signal
2. If POC functionality is available, the wait time is not needed.

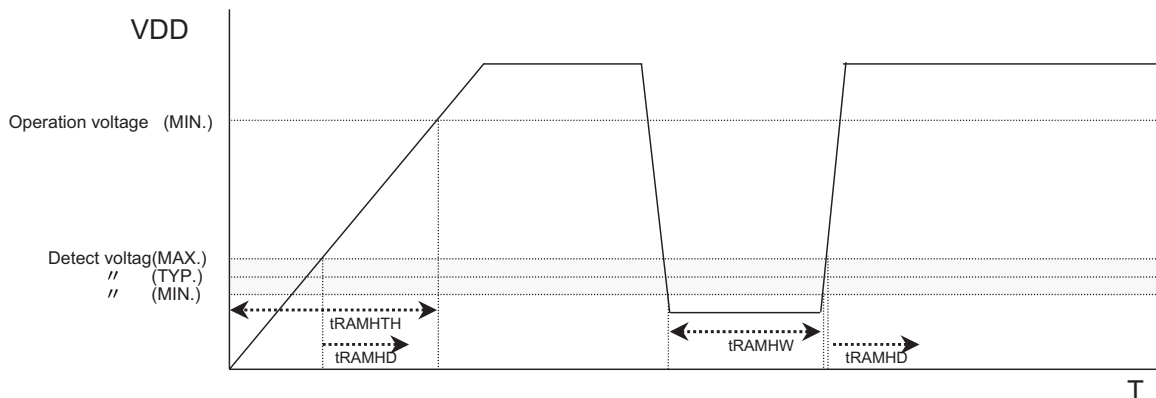


2.11 RAM Retention Flag

(Ta = -40 to +85°C, VDD = VDD1 = EVDD = BVDD = 1.9V to 5.5V, 4.0 ≤ AVREF0 ≤ 5.5V, 4.0 ≤ AVREF1 ≤ 5.5V, VSS = VSS1 = EVSS = BVSS = AVSS = AVSS1 = 0V, CL = 50pF)

Parameter	Symbol	Conditions	MIN.	TYP.	MAX.	Unit
Detect voltage	VRAMH		1.9	2.0	2.1	V
Supply voltage rise time	tRAMHTH	From VDD=0V to VDD=3.3V	0.002		1800	ms
Response time ^{Note1}	tRAMHD	After VDD reaches 2.1V.		0.2	2.0	ms
VDD minimum width	tRAMHW		0.2			ms

- Notes:** 1. From detect voltage to set RAMFbit (RAMS.bit0)

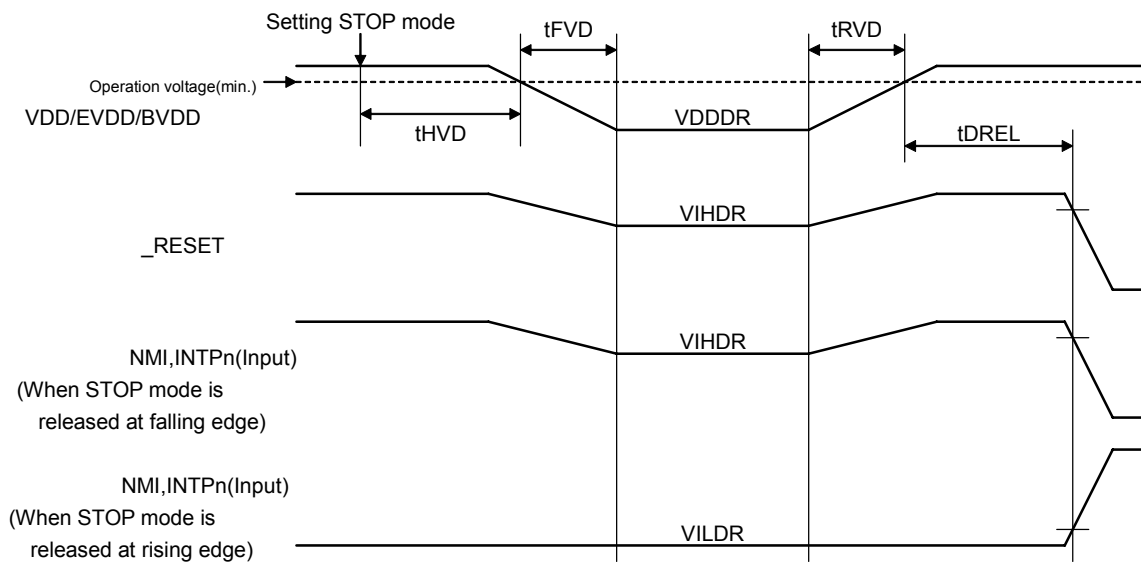


2.12 Data Retention Characteristics

(Ta = -40 to +85°C, VDD = VDD1 = EVDD = BVDD = 1.9V to 5.5V, VSS = VSS1 = EVSS = BVSS = AVSS = AVSS1 = 0V)

Parameter	Symbol	Conditions	MIN.	TYP.	MAX.	Unit
Data retention power supply voltage	VDDDR	STOP mode (All function is stopped)	1.9		5.5	V
Data retention power supply current	IDDDR	VDDDR=2.0V(All function is stopped)		6.5	70	μA
Supply voltage rise time	tRVD		1			μs
Supply voltage fall time	tFVD		1			μs
Supply voltage hold time	tHVD	After STOP mode	0			ms
STOP release signal input time	tDREL	After VDD reaches operating voltage range MIN. 3.3V	0			ms
Data retention high-level input voltage	VIHDR	All input port	0.9VDDDR		VDDDR	V
Data retention low-level input voltage	VILDR	All input port	0		0.1VDDDR	V

Remark: When STOP mode is entered/released operation voltage range must be controlled.



2.13 Flash Memory Programming Characteristics

(a) Basic Characteristics

(C=4.7uF, VDD = VDD1 = EVDD = BVDD, AVREF0 = 3.5 to 5.5V, AVREF1 = 3.5 to 5.5V, VSS = VSS1 = EVSS = BVSS = AVSS = AVSS1)

Parameter	Symbol	Conditions	MIN.	TYP.	MAX.	Unit
Operation frequency	fCPU		4		48	MHz
Supply voltage	VDD		3.3		5.5	V
Number of rewrites	CWRT1	Code Flash	1000			count
	CWRT2	Data Flash	10000			
High level input voltage	VIH	FLMD0	0.8EVDD		EVDD	V
Low level input voltage	VIL	FLMD0	EVSS		0.2EVDD	V
Programming temperature	tPRG		-40		+85	°C
Data retention		Code Flash			15 ^{Note1}	year
		Data Flash			5 ^{Note2}	

- Notes: 1. Under the condition of CWRT1
 2. Under the condition of CWRT2

Remark: The initial write when the product is shipped, any erase → write set of operations, or any programming operation is counted as one rewrite.

Example: P: Program(write) E: Erase

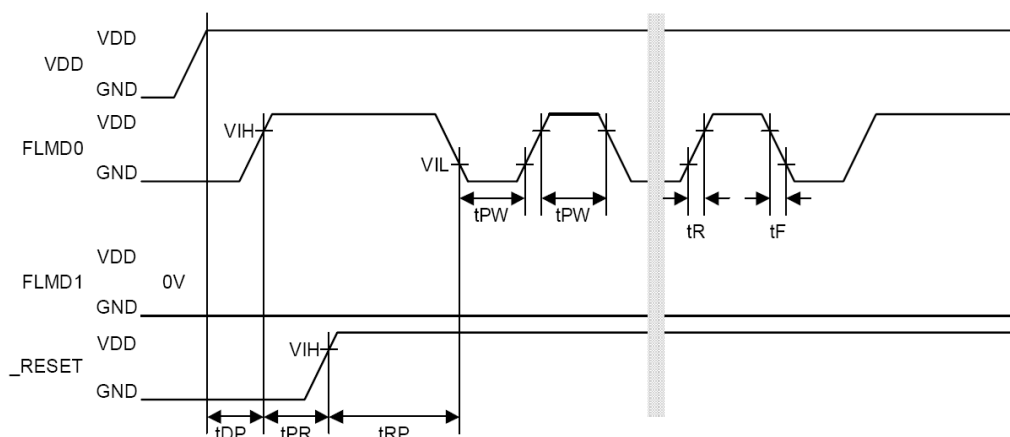
Product is shipped → P → E → P → E → P : Rewrite count: 3

Product is shipped → E → P → E → P → E → P : Rewrite count: 3

(b) Serial Writing Operation Characteristics

(VDD = VDD1 = EVDD = BVDD, 4.0 ≤ AVREF0 ≤ 5.5V, 4.0 ≤ AVREF1 ≤ 5.5V, VSS = VSS1 = EVSS = BVSS = AVSS = AVSS1 = 0V, CL = 50pF)

Parameter	Symbol	Conditions	MIN.	TYP.	MAX.	Unit
FLMD0 setup time (from VDD)	tDP		1			ms
RESET release (from FLMD0)	tPR		2			ms
FLMD0 pulse input start (from raise edge of _RESET)	tRP		800			μs
FLMD0 high level width / low level width	tPW		10		100	μs
FLMD0 raise time	tR				50	ns
FLMD0 fall time	tF				50	ns



3. Electrical Specifications of (A1)-Grade

This product has to be used only under the conditions of VDD = VDD1 = EVDD = BVDD. Operation is not ensured at the time of using this product except this condition.

3.1 Absolute Maximum Ratings

Absolute Maximum Ratings (Ta=25°C)

Parameter	Symbol	Conditions	Rating	Unit	
Supply voltage	VDD	VDD = VDD1 = EVDD = BVDD	-0.5 to +6.5	V	
	VDD1	VDD = VDD1 = EVDD = BVDD	-0.5 to +6.5	V	
	EVDD	VDD = VDD1 = EVDD = BVDD	-0.5 to +6.5	V	
	BVDD	VDD = VDD1 = EVDD = BVDD	-0.5 to +6.5	V	
	AVREF0		-0.5 to +6.5	V	
	AVREF1		-0.5 to +6.5	V	
	VSS	VSS = VSS1 = EVSS = BVSS = AVSS = AVSS1	-0.5 to +0.5	V	
	VSS1	VSS = VSS1 = EVSS = BVSS = AVSS = AVSS1	-0.5 to +0.5	V	
	EVSS	VSS = VSS1 = EVSS = BVSS = AVSS = AVSS1	-0.5 to +0.5	V	
	BVSS	VSS = VSS1 = EVSS = BVSS = AVSS = AVSS1	-0.5 to +0.5	V	
	AVSS	VSS = VSS1 = EVSS = BVSS = AVSS = AVSS1	-0.5 to +0.5	V	
AVSS1	VSS = VSS1 = EVSS = BVSS = AVSS = AVSS1	-0.5 to +0.5	V		
Input voltage	VI1	Pin Group 1x, 6	-0.5 to EVDD+0.5 Note1	V	
	VI2	Pin Group 3x	-0.5 to BVDD+0.5 Note1	V	
	VI3	Pin Group 7	-0.5 to VRO+0.5 Note1	V	
Analog input voltage	VIAN	Pin Group 4	-0.5 to AVREF0+0.5 Note1	V	
		Pin Group 5	-0.5 to AVREF1+0.5 Note1	V	
High level output current	IOH	Pin Group 1x	1 pin	-4	mA
			Total	-20	mA
		Pin Group 3x	1 pin	-4	mA
			Total	-20	mA
		Pin Group 4	1 pin	-4	mA
			Total	-10 ^{Note2}	mA
		Pin Group 5	1 pin	-4	mA
			Total	-10 ^{Note2}	mA
Low level output current	IOL	Pin Group 1x	1 pin	4	mA
			Total	20	mA
		Pin Group 3x	1 pin	4	mA
			Total	20	mA
		Pin Group 4	1 pin	4	mA
			Total	10 ^{Note2}	mA
		Pin Group 5	1 pin	4	mA
			Total	10 ^{Note2}	mA
Operating ambient temperature	Ta	Normal operating mode	-40 to +110	°C	
		Flash programming mode	-40 to +110		
Storage temperature	Tstg		-40 to +125	°C	

Remarks: 1. The characteristics of the dual-function pins are the same as those of the port pins unless otherwise specified

Notes: 1. Be sure not to exceed the absolute maximum ratings (Max. value) of each supply voltage.
2. Excluding ADC IAREF0 / IAREF1 current.

3.2 Capacities

Specification is identical to that from (A)-Grade except Ta = -40 to +110°C.

3.3 Operating condition

Specification is identical to that from (A)-Grade except Ta = -40 to +110°C.

3.4 Voltage Regulator Characteristics

Specification is identical to that from (A)-Grade except Ta = -40 to +110°C.

3.5 Clock Generator Circuit

3.5.1 Main System Clock Oscillation Circuit Characteristics

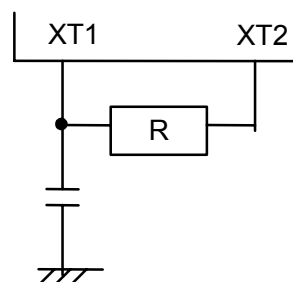
Specification is identical to that from (A)-Grade except Ta = -40 to +110°C.

3.5.2 Sub System Clock Oscillation Circuit Characteristics

(Ta = -40 to +110°C, VDD = VDD1 = EVDD = BVDD = 3.3V to 5.5V, $4.0 \leq AVREF0 \leq 5.5V$, $4.0 \leq AVREF1 \leq 5.5V$, VSS = VSS1 = EVSS = BVSS = AVSS = AVSS1 = 0V)

Resonator	Recommended Circuit	Parameter	Conditions	MIN.	TYP.	MAX.	Unit
RC resonator	Refer to Figure 2	Oscillator frequency ^{Note1,4}	R=390KΩ±5% ^{Note3} , C=47pF±10% ^{Note3}	25	40	55	kHz
		Oscillation stabilization time ^{Note2}				100	μs

- Notes:**
1. Indicates only oscillation circuit characteristics. Refer to "AC Characteristic" for cpu operation clock.
 2. Time required to stabilize oscillation after VDD reaches oscillator voltage range min. 3.3V
 3. In order to avoid the influence of wiring capacity, shorten wiring as much as possible.
 4. RC Oscillation frequency is typ. 40kHz. This clock is divided by 2 internally. In case of RC Oscillator, internal system clock frequency(fxt) is min. 12.5kHz, typ. 20kHz, max. 27.5kHz.



3.5.3 Internal-OSC Characteristics

Specification is identical to that from (A)-Grade except Ta = -40 to +110°C.

3.5.4 PLL Characteristics

Specification is identical to that from (A)-Grade except Ta = -40 to +110°C.

3.5.5 SSCG Characteristics

Specification is identical to that from (A)-Grade except Ta = -40 to +110°C.

3.6 DC Characteristics

3.6.1 Input/Output Level

(Ta = -40 to +110°C, VDD = VDD1 = EVDD = BVDD = 3.3V to 5.5V, $4.0 \leq AVREF0 \leq 5.5V$, $4.0 \leq AVREF1 \leq 5.5V$, VSS = VSS1 = EVSS = BVSS = AVSS = AVSS1 = 0V)

Parameter	Symbol	Conditions	MIN.	TYP.	MAX.	Unit	
High level input voltage	VIH1	Pin Group 1B	0.7·EVDD		EVDD	V	
	VIH2	Pin Group 1D	0.8·EVDD		EVDD	V	
		Pin Group 3D	0.8·BVDD		BVDD	V	
	VIH3	Pin Group 3A	0.7·BVDD		BVDD	V	
	VIH4	Pin Group 4	0.7·AVREF0		AVREF0	V	
	VIH5	Pin Group 6	0.8·EVDD		EVDD	V	
VIH6	Pin Group 5	0.7·AVREF1		AVREF1	V		
Low level input voltage	VIL1	Pin Group 1B	EVSS		0.3·EVDD	V	
	VIL2	Pin Group 1D	EVSS		0.4·EVDD	V	
		Pin Group 3D	BVSS		0.4·BVDD	V	
	VIL3	Pin Group 3A	BVSS		0.3·BVDD	V	
	VIL4	Pin Group 4	AVSS		0.3·AVREF0	V	
	VIL5	Pin Group 6	EVSS		0.2·EVDD	V	
VIL6	Pin Group 5	AVSS1		0.3·AVREF1	V		
Input hysteresis	VHYS1	Pin Group 1B	Center point at 0.5 x EVDD ^{Note3}		0.267 x EVDD - 0.51V	V	
	VHYS2	Pin Group 1D	Center point at 0.6 x EVDD ^{Note3}		0.192 x EVDD - 0.31V	V	
		Pin Group 3D	Center point at 0.6 x BVDD ^{Note3}		0.192 x BVDD - 0.31V	V	
	VHYS5	Pin Group 6	Center point at 0.5 x EVDD ^{Note3}		0.535 x EVDD - 0.9V	V	
High level output voltage ^{Note2}	VOH1	Pin Group 1x	IOH=-1.0mA	EVDD-1.0		EVDD	V
			IOH=-100uA	EVDD-0.5		EVDD	V
	VOH2	Pin Group 3x	IOH=-1.0mA	BVDD-1.0		BVDD	V
			IOH=-100uA	BVDD-0.5		BVDD	V
	VOH3	Pin Group 4	IOH=-1.0mA	AVREF0-1.0		AVREF0	V
			IOH=-100uA	AVREF0-0.5		AVREF0	V
	VOH4	Pin Group 5	IOH=-1.0mA	AVREF1-1.0		AVREF1	V
			IOH=-100uA	AVREF1-0.5		AVREF1	V
Low level output voltage ^{Note2}	VOL1	Pin Group 1x	IOL=1.0mA	0	0.4	V	
		P914, 915	IOL=3.0mA				
	VOL2	Pin Group 3x	IOL=1.0mA	0	0.4	V	
	VOL3	Pin Group 4	IOL=1.0mA	0	0.4	V	
VOL4	Pin Group 5	IOL=1.0mA	0	0.4	V		
Software pull-up resistor	R1	VI=0V	10	30	100	kΩ	
Software ^{Note1} pull-down resistor	R2	VI=VDD	10	30	100	kΩ	

Remark: The characteristics of the dual-function pins are the same as those of the port pins unless otherwise specified.

- Notes:**
1. \overline{DRST} terminal only. (Control register is OCDM)
 2. Total IOH/IOL max is 20mA/-20mA for the power supply lines EVDD and BVDD.
Total IOH/IOL max is 10mA/-10mA for the power supply line AVREF0 and AVREF1.
AVREF0/AVREF1 IOH/IOL current is excluding ADC current IAREF0/IAREF1.
 3. Typical value. Not tested and guaranteed

3.6.2 PIN leakage current

(Ta = -40 to +110°C, VDD = VDD1 = EVDD = BVDD = 3.3V to 5.5V, $4.0 \leq AVREF0 \leq 5.5V$, $4.0 \leq AVREF1 \leq 5.5V$, VSS = VSS1 = EVSS = BVSS = AVSS = AVSS1 = 0V)

Parameter	Symbol	Conditions	MIN.	TYP.	MAX.	Unit
High level input leakage current	ILIH1	VI=VDD	Analog pins		0.4	uA
			Other pins ^{Note1}		0.8	
Low level input leakage current	ILIL1	VI=0V	Analog pins		-0.4	
			Other pins ^{Note1}		-0.8	
High level output leakage current	ILOH1	VO=VDD	Analog pins		0.4	
			Other pins		0.8	
Low level output leakage current	ILOL1	VO=0V	Analog pins		-0.4	
			Other pins		-0.8	

Notes: 1. The input leakage current of FLMD0 is as follows:

High level input leakage current : 4.0uA

Low level input leakage current : -4.0uA

3.6.3 Power supply current (A1-grade)

3.6.3.1 μ PD70F3383 / μ PD70F3384 / μ PD70F3385

(a) Absolute values

($T_a = -40$ to $+110^\circ\text{C}$,

$V_{DD} = V_{DD1} = EV_{DD} = BV_{DD} = 3.3\text{V}$ to 5.5V , $4.0 \leq AV_{REF0} \leq 5.5\text{V}$, $4.0 \leq AV_{REF1} \leq 5.5\text{V}$, $V_{SS} = V_{SS1} = EV_{SS} = BV_{SS} =$

$AV_{SS} = AV_{SS1} = 0\text{V}$ ^{Note1)})

Mode	Symbol	Condition				TYP.	MAX.	Unit	
Operating mode Note2,8	IDD1	All peripherals running	Peripheral: f_{xx} PRSI option: 0	PLL: ON $12\text{MHz} \leq f_{xx} \leq 32\text{MHz}$	$f_{xx}=20\text{MHz}$ $f_x=5\text{MHz}$	35	47	mA	
					$f_{xx}=32\text{MHz}$ $f_x=16\text{MHz}$	52	68	mA	
				PLL: OFF $4\text{MHz} \leq f_{xx} \leq 16\text{MHz}$	$f_{xx}=8\text{MHz}$ 8MHz Internal-OSC ^{Note3)}	17	24	mA	
					$f_{xx}=16\text{MHz}$ $f_x=16\text{MHz}$	29	38	mA	
				Peripheral: $f_{xx}/2$ PRSI option: 1	PLL: ON $12\text{MHz} \leq f_{xx} \leq 48\text{MHz}$	$f_{xx}=48\text{MHz}$ $f_x=12\text{MHz}$	63	81	mA
				All peripherals stopped	Peripheral: f_{xx} PRSI option: 0	PLL: ON $12\text{MHz} \leq f_{xx} \leq 32\text{MHz}$	$f_{xx}=20\text{MHz}$ $f_x=5\text{MHz}$	28	
			$f_{xx}=32\text{MHz}$ $f_x=16\text{MHz}$		41		mA		
		PLL: OFF $4\text{MHz} \leq f_{xx} \leq 16\text{MHz}$	$f_{xx}=8\text{MHz}$ 8MHz Internal-OSC ^{Note3)}		15		mA		
			$f_{xx}=16\text{MHz}$ $f_x=16\text{MHz}$		23		mA		
			Peripheral: $f_{xx}/2$ PRSI option: 1	PLL: ON $12\text{MHz} \leq f_{xx} \leq 48\text{MHz}$	$f_{xx}=48\text{MHz}$ $f_x=12\text{MHz}$	54		mA	
HALT mode Note8	IDD2	All peripherals running	Peripheral: f_{xx} PRSI option: 0	PLL: ON $12\text{MHz} \leq f_{xx} \leq 32\text{MHz}$	$f_{xx}=20\text{MHz}$ $f_x=5\text{MHz}$	24	34	mA	
					$f_{xx}=32\text{MHz}$ $f_x=16\text{MHz}$	36	51	mA	
				PLL: OFF $4\text{MHz} \leq f_{xx} \leq 16\text{MHz}$	$f_{xx}=8\text{MHz}$ 8MHz Internal-OSC ^{Note3)}	10	16	mA	
					$f_{xx}=16\text{MHz}$ $f_x=16\text{MHz}$	18	26	mA	
				Peripheral: $f_{xx}/2$ PRSI option: 1	PLL: ON $12\text{MHz} \leq f_{xx} \leq 48\text{MHz}$	$f_{xx}=48\text{MHz}$ $f_x=12\text{MHz}$	40	54	mA
				All peripherals stopped	Peripheral: f_{xx} PRSI option: 0	PLL: ON $12\text{MHz} \leq f_{xx} \leq 32\text{MHz}$	$f_{xx}=20\text{MHz}$ $f_x=5\text{MHz}$	16	
			$f_{xx}=32\text{MHz}$ $f_x=16\text{MHz}$		24		mA		
		PLL: OFF $4\text{MHz} \leq f_{xx} \leq 16\text{MHz}$	$f_{xx}=8\text{MHz}$ 8MHz Internal-OSC ^{Note3)}		8		mA		
			$f_{xx}=16\text{MHz}$ $f_x=16\text{MHz}$		12		mA		
			Peripheral: $f_{xx}/2$ PRSI option: 1	PLL: ON $12\text{MHz} \leq f_{xx} \leq 48\text{MHz}$	$f_{xx}=48\text{MHz}$ $f_x=12\text{MHz}$	30		mA	

Mode	Symbol	Condition			TYP.	MAX.	Unit
IDLE1 mode	IDD3	Peripheral (TAA, UARTD) running	PLL: OFF $4\text{MHz} \leq f_{xx} \leq 16\text{MHz}$ Note7	$f_{xx}=5\text{MHz}$ $f_x=5\text{MHz}$	2.6	3.6	mA
				$f_{xx}=12\text{MHz}$ $f_x=12\text{MHz}$	4.1	5.6	mA
				$f_{xx}=16\text{MHz}$ $f_x=16\text{MHz}$	4.9	6.8	mA
			$f_{xx}=8\text{MHz}$, 8MHz Internal-OSC ^{Note3}			3.0	4.2
		All peripherals stopped	PLL: OFF $4\text{MHz} \leq f_{xx} \leq 16\text{MHz}$ Note7	$f_{xx}=5\text{MHz}$ $f_x=5\text{MHz}$	1.4		mA
				$f_{xx}=12\text{MHz}$ $f_x=12\text{MHz}$	1.8		mA
				$f_{xx}=16\text{MHz}$ $f_x=16\text{MHz}$	2.0		mA
			$f_{xx}=8\text{MHz}$, 8MHz Internal-OSC ^{Note3}			1.3	
IDLE2 mode	IDD4	PLL: OFF $4\text{MHz} \leq f_{xx} \leq 16\text{MHz}$ Note7	$f_{xx}=5\text{MHz}$ $f_x=5\text{MHz}$	0.4	0.9	mA	
			$f_{xx}=12\text{MHz}$ $f_x=12\text{MHz}$	0.7	1.2	mA	
			$f_{xx}=16\text{MHz}$ $f_x=16\text{MHz}$	0.8	1.4	mA	
		$f_{xx}=8\text{MHz}$, 8MHz Internal-OSC ^{Note3}			0.2	0.7	mA
SUB operating mode ^{Note5}	IDD5	RC resonator ($f_{xt}=20\text{kHz}$) ^{Note6}			80	600	μA
		240 kHz Internal-OSC (SubOSC stopped)			220	1200	μA
SubIDLE mode ^{Note3,5}	IDD6	RC resonator ($f_{xt}=20\text{kHz}$) ^{Note6}			40	420	μA
		240kHz Internal-OSC (SubOSC stopped)			25	380	μA
STOP mode ^{Note3,4}	IDD7	POC stop	240kHz Internal-OSC stop		7.5	280	μA
			240kHz Internal-OSC working		15.5	295	μA
		POC work	240kHz Internal-OSC stop		10.5	285	μA
			240kHz Internal-OSC working		18.5	300	μA

(b) Calculation formulas

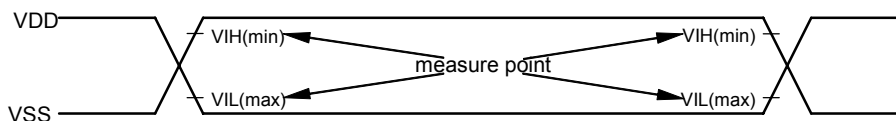
(Ta = -40 to +110°C, VDD = VDD1 = EVDD = BVDD = 3.3V to 5.5V, 4.0 ≤ AVREF0 ≤ 5.5V, 4.0 ≤ AVREF1 ≤ 5.5V, VSS = VSS1 = EVSS = BVSS = AVSS = AVSS1 = 0V) ^{Note1)}

Mode	Symbol	Condition		TYP. ^{Note9}	MAX. ^{Note3}	Unit	
Operating mode ^{Note2,8}	IDD1	All peripherals running	Peripheral: f _{xx} PRSI option: 0	PLL: ON 12MHz ≤ f _{xx} ≤ 32MHz	1.39·f _{xx} +7.5	1.67·f _{xx} +14.0	mA
				PLL: OFF 4MHz ≤ f _{xx} ≤ 16MHz	1.44·f _{xx} +5.5	1.73·f _{xx} +10.6	mA
			Peripheral: f _{xx} /2 PRSI option: 1	PLL: ON 12MHz ≤ f _{xx} ≤ 48MHz	1.17·f _{xx} +6.9	1.41·f _{xx} +13.3	mA
		All peripherals stopped	Peripheral: f _{xx} PRSI option: 0	PLL: ON 12MHz ≤ f _{xx} ≤ 32MHz	1.06·f _{xx} +7.2		mA
				PLL: OFF 4MHz ≤ f _{xx} ≤ 16MHz	1.00·f _{xx} +7.0		mA
			Peripheral: f _{xx} /2 PRSI option: 1	PLL: ON 12MHz ≤ f _{xx} ≤ 48MHz	0.96·f _{xx} +7.8		mA
HALT mode ^{Note8}	IDD2	All peripherals running	Peripheral: f _{xx} PRSI option: 0	PLL: ON 16MHz ≤ f _{xx} ≤ 32MHz	1.00·f _{xx} +4.0	1.40·f _{xx} +6.4	mA
				PLL: OFF 4MHz ≤ f _{xx} ≤ 16MHz	0.94·f _{xx} +2.7	1.27·f _{xx} +5.4	mA
			Peripheral: f _{xx} /2 PRSI option: 1	PLL: ON 16MHz ≤ f _{xx} ≤ 48MHz	0.75·f _{xx} +4.0	0.94·f _{xx} +9.0	mA
		All peripherals stopped	Peripheral: f _{xx} PRSI option: 0	PLL: ON 16MHz ≤ f _{xx} ≤ 32MHz	0.65·f _{xx} +3.4		mA
				PLL: OFF 4MHz ≤ f _{xx} ≤ 16MHz	0.59·f _{xx} +2.8		mA
			Peripheral: f _{xx} /2 PRSI option: 1	PLL: ON 16MHz ≤ f _{xx} ≤ 48MHz	0.54·f _{xx} +4.4		mA
IDLE1 mode	IDD3	Peripheral (TAA, UARTD) running	PLL: OFF 4MHz ≤ f _{xx} ≤ 16MHz	0.211·f _{xx} +1.54	0.295·f _{xx} +2.10	mA	
		All peripherals stopped	^{Note7}	0.054·f _{xx} +1.15		mA	
IDLE2 mode	IDD4	PLL: OFF 4MHz ≤ f _{xx} ≤ 16MHz ^{Note7}		0.037·f _{xx} +0.21	0.049·f _{xx} +0.63	mA	

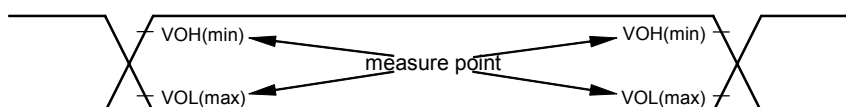
- Notes:**
- VDD, VDD1, EVDD and BVDD total current. (Ports are stopped). AVREF0 and AVREF1 current, port buffer current (including a current flowing in the on-chip pull-up/pull-down resistor) are not included.
 - The code flash and the data flash are in read mode. When the device is in programming mode (Self-programming mode or EEPROM emulation mode), the current value (MAX. value) adds by the following value:
 - Self-programming mode:
 - + In case of PLL OFF: 14-(0.33·f_{xx}/2+0.1)*2 [mA]
 - + In case of PLL ON: 14-(0.18·f_{xx}/2+3.0)*2 [mA]
 - EEPROM emulation mode:
 - + 7-(0.18·f_{xx}/4+3.0) [mA]
 - Main OSC is stopped.
 - Do not use SubOSC.
 - POC is working. 240kHz Internal-OSC is working. 8MHz Internal-OSC is stopped.
 - RC Oscillation frequency is typ.40kHz. This clock is divided by 2 internally.
 - 8MHz Internal-OSC is stopped
 - When the SSCG is running, the current value adds typ +2.5mA, max +4mA.
 - The formulas are for reference only. Not all possible values for f_{xx} are tested in the outgoing device inspection.

3.7 AC Characteristics

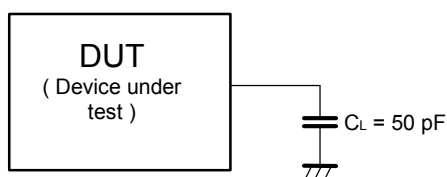
AC test Input measurement points (VDD, AVREF0, AVREF1, EVDD, BVDD)



AC test output measurement points



Load conditions



Caution: If the load capacitance exceeds 50pF due to the circuit configuration, reduce the load capacitance of the device to 50pF or less by inserting a buffer or by some other means.

3.7.1 CLKOUT Output Timing

Specification is identical to that from (A)-Grade except $T_a = -40$ to $+110^\circ\text{C}$.

3.7.2 Bus Timing (Multiplexed bus mode)

Specification is identical to that from (A)-Grade except $T_a = -40$ to $+110^\circ\text{C}$.

3.7.3 RESET, Interrupt, ADTRG Timing

Specification is identical to that from (A)-Grade except $T_a = -40$ to $+110^\circ\text{C}$.

3.7.4 Key Return Timing

Specification is identical to that from (A)-Grade except $T_a = -40$ to $+110^\circ\text{C}$.

3.7.5 Timer Timing

Specification is identical to that from (A)-Grade except $T_a = -40$ to $+110^\circ\text{C}$.

3.7.6 CSI Timing

Specification is identical to that from (A)-Grade except $T_a = -40$ to $+110^\circ\text{C}$.

3.7.7 UART Timing

Specification is identical to that from (A)-Grade except $T_a = -40$ to $+110^\circ\text{C}$.

3.7.8 IIC Timing

Specification is identical to that from (A)-Grade except $T_a = -40$ to $+110^\circ\text{C}$.

3.7.9 CAN Timing

Specification is identical to that from (A)-Grade except Ta = -40 to +110°C.

3.8 A/D Converter

Specification is identical to that from (A)-Grade except Ta = -40 to +110°C.

3.9 POC

Specification is identical to that from (A)-Grade except Ta = -40 to +110°C.

3.10 LVI

Specification is identical to that from (A)-Grade except Ta = -40 to +110°C.

3.11 RAM Retention Flag

Specification is identical to that from (A)-Grade except Ta = -40 to +110°C.

3.12 Data Retention Characteristics

Specification is identical to that from (A)-Grade except Ta = -40 to +110°C.

3.13 Flash Memory Programming Characteristics

(a) Basic Characteristics

(C=4.7uF, VDD = VDD1 = EVDD = BVDD, AVREF0 = 3.5 to 5.5V, AVREF1 = 3.5 to 5.5V, VSS = VSS1 = EVSS = BVSS = AVSS = AVSS1)

Parameter	Symbol	Conditions	MIN.	TYP.	MAX.	Unit
Operation frequency	fCPU		4		48	MHz
Supply voltage	VDD		3.3		5.5	V
Number of rewrites	CWRT1	Code Flash	1000			count
	CWRT2	Data Flash	10000			
High level input voltage	VIH	FLMD0	0.8EVDD		EVDD	V
Low level input voltage	VIL	FLMD0	EVSS		0.2EVDD	V
Programming temperature	tPRG		-40		+110	°C
Data retention		Code Flash			15 ^{Note1}	year
		Data Flash			5 ^{Note2}	

Notes: 1. Under the condition of CWRT1

2. Under the condition of CWRT2

Remark: The initial write when the product is shipped, any erase → write set of operations, or any programming operation is counted as one rewrite.

Example: P: Program(write) E: Erase

Product is shipped → P → E → P → E → P : Rewrite count: 3

Product is shipped → E → P → E → P → E → P : Rewrite count: 3

(b) Serial Writing Operation Characteristics

Specification is identical to that from (A)-Grade except Ta = -40 to +110°C.

4. Electrical Specifications of (A2)-Grade

This product has to be used only under the conditions of $VDD = VDD1 = EVDD = BVDD$. Operation is not ensured at the time of using this product except this condition.

4.1 Absolute Maximum Ratings

Specification is identical to that from (A1)-Grade except

- Operating ambient temperature $T_a = -40$ to $+125^{\circ}\text{C}$
- Note2: AVREF0/AVREF1 IOH/IOL current is including ADC max. current IAREF0/IAREF1.

4.2 Capacities

Specification is identical to that from (A)-Grade except $T_a = -40$ to $+125^{\circ}\text{C}$.

4.3 Operating condition

(Ta = -40 to +125°C, VDD = VDD1 = EVDD = BVDD, 4.0 ≤ AVREF0 ≤ 5.5V, 4.0 ≤ AVREF1 ≤ 5.5V, VSS = VSS1 = EVSS = BVSS = AVSS = AVSS1 = 0V, C = 4.7μF)

Internal System clock frequency (f _{VBLCK})	Supply voltage (VDD)	Operating Condition
4.0 ≤ f _{xx} ≤ 32MHz Note1	4.0V ≤ VDD ≤ 5.5V Note2	Operation of functions is usable under following conditions: <ul style="list-style-type: none"> Peripheral clock frequency <ul style="list-style-type: none"> f_{XP1} ≤ f_{xx} f_{XP2} ≤ f_{xx} AC characteristics: <ul style="list-style-type: none"> Refer to chapter '4.7 AC Characteristics' for details.
	3.5V ≤ VDD ≤ 4.0V Note2	Operation of functions is usable under following conditions: <ul style="list-style-type: none"> Peripheral clock frequency <ul style="list-style-type: none"> f_{XP1} ≤ 20MHz f_{XP2} ≤ 20MHz AC characteristics: <ul style="list-style-type: none"> Refer to chapter '4.7 AC Characteristics' for details.
	3.3V ≤ VDD < 3.5V Note2	Only operation of following function is assured: <ul style="list-style-type: none"> CPU Flash (include programming) RAM IO Buffer Port WT WDT INT CLM POC LVI
	3.5V ≤ AVREF0 < 5.5V	<ul style="list-style-type: none"> A/D Converter <ul style="list-style-type: none"> Refer to chapter '4.8 A/D Converter' for details. stop ADC for AVREF0 < 4.0V (ADA0CE bit = 0)
	3.5V ≤ AVREF1 < 5.5V	<ul style="list-style-type: none"> A/D Converter <ul style="list-style-type: none"> Refer to chapter '4.8 A/D Converter' for details. stop ADC for AVREF1 < 4.0V (ADA1CE bit = 0)
12.5kHz ≤ f _{XT} ≤ 27.5kHz Note3(RC)	3.3V ≤ VDD < 5.5V Note2	-
f _{RL} (240kHz Internal-OSC)	3.3V ≤ VDD < 5.5V Note2	-

- Notes:** 1. For using SSCG please refer to '4.5.5 SSCG Characteristics' for details
2. VDD = VDD1 = EVDD = BVDD
3. RC Oscillation frequency is min. 25kHz max. 55kHz. This clock is divided by 2 internally.

4.4 Voltage Regulator Characteristics

Specification is identical to that from (A)-Grade except Ta = -40 to +125°C.

4.5 Clock Generator Circuit

4.5.1 Main System Clock Oscillation Circuit Characteristics

Specification is identical to that from (A)-Grade except Ta = -40 to +125°C.

4.5.2 Sub System Clock Oscillation Circuit Characteristics

Specification is identical to that from (A1)-Grade except Ta = -40 to +125°C.

4.5.3 Internal-OSC Characteristics

Specification is identical to that from (A)-Grade except Ta = -40 to +125°C.

4.5.4 PLL Characteristics

(Ta = -40 to +125°C, VDD = VDD1 = EVDD = BVDD = 3.3V to 5.5V, 4.0 ≤ AVREF0 ≤ 5.5V, 4.0 ≤ AVREF1 ≤ 5.5V, VSS = VSS1 = EVSS = BVSS = AVSS = AVSS1 = 0V)

Parameter	Symbol	Conditions	MIN.	TYP.	MAX.	Unit
Input frequency	fx		4		16	MHz
	f _{PLLI}	Note	3		6	MHz
Output frequency	fx _X		12		32	MHz
Lock time	t _{PLL}	After VDD reaches voltage range min. 3.3V			800	μs
Output period jitter Note2	tpj	Peak to peak			2.0	ns

- Notes:**
- The input of the PLL (f_{PLLI}) can be set to f_X, f_X/2, or f_X/4. The divider is set through an option byte in the code flash memory.
 - Not tested in production.

4.5.5 SSCG Characteristics

(Ta = -40 to +125°C, VDD = VDD1 = EVDD = BVDD = 3.3V to 5.5V, 4.0 ≤ AVREF0 ≤ 5.5V, 4.0 ≤ AVREF1 ≤ 5.5V, VSS = VSS1 = EVSS = BVSS = AVSS = AVSS1 = 0V)

Parameter	Symbol	Conditions	MIN.	TYP.	MAX.	Unit
Input frequency	fx		4		16	MHz
Output frequency	f _{XX}		12		32	MHz
Lock time	t _{SSCG}	After VDD reaches voltage range min. 3.3V			1000	μs

Remark: The SSCG MAX output frequency indicates the case without modulation. If modulation is enabled the average SSCG frequency has to be set lower. The maximum achievable average operating frequency with modulation is as follows:

SSCG input clock divider selector SFC1[6:4]	Percent modulation		Maximum average operating frequency ≥384KB product	Unit
	TYP	MAX		
000B	± 0.5%	± 2.0%	31.4	MHz
001B	± 1.0%	± 2.5%	31.2	
010B	± 2.0%	± 4.0%	30.7	
011B	± 3.0%	± 6.0%	30.1	
100B	± 4.0%	± 8.0%	29.4	
101B	± 5.0%	± 10.0%	28.8	

4.6 DC Characteristics

4.6.1 Input/Output Level

Specification is identical to that from (A1)-Grade except

- Ta = -40 to +125°C.
- **Note 2:** Total IOH/IOL max is 20mA/-20mA for the power supply lines EVDD and BVDD.
Total IOH/IOL max is 3mA/-3mA for the power supply line AVREF0 and AVREF1.
AVREF0/AVREF1 IOH/IOL current is excluding ADC current IAREF0/IAREF1.
If ADC0/ADC1 is not used total IOH/IOL max is 10mA/-10mA for the power supply line AVREF0 and AVREF1.

4.6.2 PIN leakage current

(Ta = -40 to +125°C, VDD = VDD1 = EVDD = BVDD = 3.3V to 5.5V, $4.0 \leq AVREF0 \leq 5.5V$, $4.0 \leq AVREF1 \leq 5.5V$, VSS = VSS1 = EVSS = BVSS = AVSS = AVSS1 = 0V)

Parameter	Symbol	Conditions	MIN.	TYP.	MAX.	Unit
High level input leakage current	ILIH1	VI=VDD	Analog pins		0.5	uA
			Other pins ^{Note1}		1.0	
Low level input leakage current	ILIL1	VI=0V	Analog pins		-0.5	
			Other pins ^{Note1}		-1.0	
High level output leakage current	ILOH1	VO=VDD	Analog pins		0.5	
			Other pins		1.0	
Low level output leakage current	ILOL1	VO=0V	Analog pins		-0.5	
			Other pins		-1.0	

Notes: 1. The input leakage current of FLMD0 is as follows:

High level input leakage current: 5.0uA

Low level input leakage current: -5.0uA

4.6.3 Power supply current (A2-grade)

4.6.3.1 μ PD70F3383 / μ PD70F3384 / μ PD70F3385

(a) Absolute values

($T_a = -40$ to $+125^\circ\text{C}$,

$V_{DD} = V_{DD1} = EV_{DD} = BV_{DD} = 3.3\text{V}$ to 5.5V , $4.0 \leq AV_{REF0} \leq 5.5\text{V}$, $4.0 \leq AV_{REF1} \leq 5.5\text{V}$, $V_{SS} = V_{SS1} = EV_{SS} = BV_{SS} =$

$AV_{SS} = AV_{SS1} = 0\text{V}$ ^{Note1)})

Mode	Symbol	Condition				TYP.	MAX.	Unit
Operating mode Note2,8	IDD1	All peripherals running	Peripheral: f_{xx} PRSI option: 0	PLL: ON $12\text{MHz} \leq f_{xx} \leq 32\text{MHz}$	$f_{xx}=20\text{MHz}$ $f_x=5\text{MHz}$	35	47	mA
					$f_{xx}=32\text{MHz}$ $f_x=16\text{MHz}$	52	68	mA
				PLL: OFF $4\text{MHz} \leq f_{xx} \leq 16\text{MHz}$	$f_{xx}=8\text{MHz}$ 8MHz Internal-OSC ^{Note3)}	17	24	mA
					$f_{xx}=16\text{MHz}$ $f_x=16\text{MHz}$	29	38	mA
		All peripherals stopped	Peripheral: f_{xx} PRSI option: 0	PLL: ON $12\text{MHz} \leq f_{xx} \leq 32\text{MHz}$	$f_{xx}=20\text{MHz}$ $f_x=5\text{MHz}$	28		mA
					$f_{xx}=32\text{MHz}$ $f_x=16\text{MHz}$	41		mA
				PLL: OFF $4\text{MHz} \leq f_{xx} \leq 16\text{MHz}$	$f_{xx}=8\text{MHz}$ 8MHz Internal-OSC ^{Note3)}	15		mA
					$f_{xx}=16\text{MHz}$ $f_x=16\text{MHz}$	23		mA
HALT mode Note8	IDD2	All peripherals running	Peripheral: f_{xx} PRSI option: 0	PLL: ON $12\text{MHz} \leq f_{xx} \leq 32\text{MHz}$	$f_{xx}=20\text{MHz}$ $f_x=5\text{MHz}$	24	34	mA
					$f_{xx}=32\text{MHz}$ $f_x=16\text{MHz}$	36	51	mA
				PLL: OFF $4\text{MHz} \leq f_{xx} \leq 16\text{MHz}$	$f_{xx}=8\text{MHz}$ 8MHz Internal-OSC ^{Note3)}	10	16	mA
					$f_{xx}=16\text{MHz}$ $f_x=16\text{MHz}$	18	26	mA
		All peripherals stopped	Peripheral: f_{xx} PRSI option: 0	PLL: ON $12\text{MHz} \leq f_{xx} \leq 32\text{MHz}$	$f_{xx}=20\text{MHz}$ $f_x=5\text{MHz}$	16		mA
					$f_{xx}=32\text{MHz}$ $f_x=16\text{MHz}$	24		mA
				PLL: OFF $4\text{MHz} \leq f_{xx} \leq 16\text{MHz}$	$f_{xx}=8\text{MHz}$ 8MHz Internal-OSC ^{Note3)}	8		mA
					$f_{xx}=16\text{MHz}$ $f_x=16\text{MHz}$	12		mA

Mode	Symbol	Condition		TYP.	MAX.	Unit	
IDLE1 mode	IDD3	Peripheral (TAA, UARTD) running	PLL: OFF $4\text{MHz} \leq f_{xx} \leq 16\text{MHz}$ Note7	$f_{xx}=5\text{MHz}$ $f_x=5\text{MHz}$	2.6	3.9	mA
				$f_{xx}=12\text{MHz}$ $f_x=12\text{MHz}$	4.1	5.9	mA
				$f_{xx}=16\text{MHz}$ $f_x=16\text{MHz}$	4.9	7.1	mA
			$f_{xx}=8\text{MHz}$, 8MHz Internal-OSC ^{Note3}		3.0	4.5	mA
		All peripherals stopped	PLL: OFF $4\text{MHz} \leq f_{xx} \leq 16\text{MHz}$ Note7	$f_{xx}=5\text{MHz}$ $f_x=5\text{MHz}$	1.4		mA
				$f_{xx}=12\text{MHz}$ $f_x=12\text{MHz}$	1.8		mA
				$f_{xx}=16\text{MHz}$ $f_x=16\text{MHz}$	2.0		mA
			$f_{xx}=8\text{MHz}$, 8MHz Internal-OSC ^{Note3}		1.3		mA
IDLE2 mode	IDD4	PLL: OFF $4\text{MHz} \leq f_{xx} \leq 16\text{MHz}$ Note7	$f_{xx}=5\text{MHz}$ $f_x=5\text{MHz}$	0.4	1.1	mA	
			$f_{xx}=12\text{MHz}$ $f_x=12\text{MHz}$	0.7	1.5	mA	
			$f_{xx}=16\text{MHz}$ $f_x=16\text{MHz}$	0.8	1.7	mA	
		$f_{xx}=8\text{MHz}$, 8MHz Internal-OSC ^{Note3}		0.2	1.0	mA	
SUB operating mode ^{Note5}	IDD5	RC resonator ($f_{xt}=20\text{kHz}$) ^{Note6}		80	850	μA	
		240 kHz Internal-OSC (SubOSC stopped)		220	1760	μA	
SubIDLE mode ^{Note3,5}	IDD6	RC resonator ($f_{xt}=20\text{kHz}$) ^{Note6}		40	670	μA	
		240kHz Internal-OSC (SubOSC stopped)		25	630	μA	
STOP mode ^{Note3,4}	IDD7	POC stop	240kHz Internal-OSC stop	7.5	550	μA	
			240kHz Internal-OSC working	15.5	565	μA	
		POC work	240kHz Internal-OSC stop	10.5	555	μA	
			240kHz Internal-OSC working	18.5	570	μA	

(b) Calculation formulas

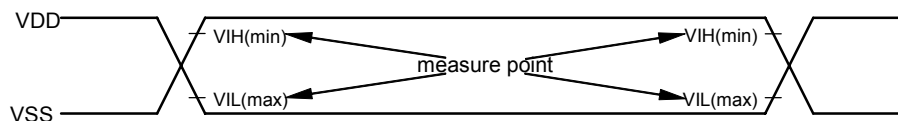
(Ta = -40 to +125°C, VDD = VDD1 = EVDD = BVDD = 3.3V to 5.5V, 4.0 ≤ AVREF0 ≤ 5.5V, 4.0 ≤ AVREF1 ≤ 5.5V, VSS = VSS1 = EVSS = BVSS = AVSS = AVSS1 = 0V) ^{Note1)}

Mode	Symbol	Condition		TYP. ^{Note9}	MAX. ^{Note3}	Unit	
Operating mode ^{Note2,8}	IDD1	All peripherals running	Peripheral: f _{xx} PRSI option: 0	PLL: ON 12MHz ≤ f _{xx} ≤ 32MHz	1.39 · f _{xx} + 7.5	1.67 · f _{xx} + 14.0	mA
			Peripheral: f _{xx} /2 PRSI option: 1	PLL: OFF 4MHz ≤ f _{xx} ≤ 16MHz	1.44 · f _{xx} + 5.5	1.73 · f _{xx} + 10.6	mA
				PLL: ON 12MHz ≤ f _{xx} ≤ 32MHz	1.17 · f _{xx} + 6.9	1.41 · f _{xx} + 13.3	mA
		All peripherals stopped	Peripheral: f _{xx} PRSI option: 0	PLL: ON 12MHz ≤ f _{xx} ≤ 32MHz	1.06 · f _{xx} + 7.2		mA
				PLL: OFF 4MHz ≤ f _{xx} ≤ 16MHz	1.00 · f _{xx} + 7.0		mA
			Peripheral: f _{xx} /2 PRSI option: 1	PLL: ON 12MHz ≤ f _{xx} ≤ 32MHz	0.96 · f _{xx} + 7.8		mA
HALT mode ^{Note8}	IDD2	All peripherals running	Peripheral: f _{xx} PRSI option: 0	PLL: ON 16MHz ≤ f _{xx} ≤ 32MHz	1.00 · f _{xx} + 4.0	1.40 · f _{xx} + 6.4	mA
				PLL: OFF 4MHz ≤ f _{xx} ≤ 16MHz	0.94 · f _{xx} + 2.7	1.27 · f _{xx} + 5.4	mA
			Peripheral: f _{xx} /2 PRSI option: 1	PLL: ON 16MHz ≤ f _{xx} ≤ 32MHz	0.75 · f _{xx} + 4.0	0.94 · f _{xx} + 9.0	mA
		All peripherals stopped	Peripheral: f _{xx} PRSI option: 0	PLL: ON 16MHz ≤ f _{xx} ≤ 32MHz	0.65 · f _{xx} + 3.4		mA
				PLL: OFF 4MHz ≤ f _{xx} ≤ 16MHz	0.59 · f _{xx} + 2.8		mA
			Peripheral: f _{xx} /2 PRSI option: 1	PLL: ON 16MHz ≤ f _{xx} ≤ 32MHz	0.54 · f _{xx} + 4.4		mA
IDLE1 mode	IDD3	Peripheral (TAA, UARTD) running	PLL: OFF 4MHz ≤ f _{xx} ≤ 16MHz ^{Note7}	0.211 · f _{xx} + 1.54	0.295 · f _{xx} + 2.40	mA	
		All peripherals stopped		0.054 · f _{xx} + 1.15		mA	
IDLE2 mode	IDD4	PLL: OFF 4MHz ≤ f _{xx} ≤ 16MHz ^{Note7}		0.037 · f _{xx} + 0.21	0.049 · f _{xx} + 0.88	mA	

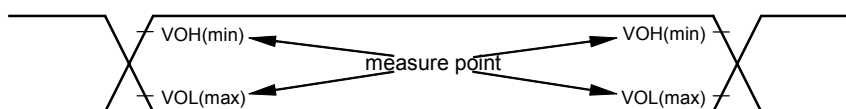
- Notes:**
- VDD, VDD1, EVDD and BVDD total current. (Ports are stopped). AVREF0 and AVREF1 current, port buffer current (including a current flowing in the on-chip pull-up/pull-down resistor) are not included.
 - The code flash and the data flash are in read mode. When the device is in programming mode (Self-programming mode or EEPROM emulation mode), the current value (MAX. value) adds by the following value:
 - Self-programming mode:
 - + In case of PLL OFF: 14 - (0.33 · f_{xx}/2 + 0.1) · 2 [mA]
 - + In case of PLL ON: 14 - (0.18 · f_{xx}/2 + 3.0) · 2 [mA]
 - EEPROM emulation mode:
 - + 7 - (0.18 · f_{xx}/4 + 3.0) [mA]
 - Main OSC is stopped.
 - Do not use SubOSC.
 - POC is working. 240kHz Internal-OSC is working. 8MHz Internal-OSC is stopped.
 - RC Oscillation frequency is typ.40kHz. This clock is divided by 2 internally.
 - 8MHz Internal-OSC is stopped
 - When the SSCG is running, the current value adds typ +2.5mA, max +4mA.
 - The formulas are for reference only. Not all possible values for f_{xx} are tested in the outgoing device inspection.

4.7 AC Characteristics

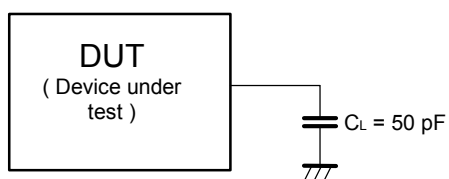
AC test Input measurement points (VDD, AVREF0, AVREF1, EVDD, BVDD)



AC test output measurement points



Load conditions



Caution: If the load capacitance exceeds 50pF due to the circuit configuration, reduce the load capacitance of the device to 50pF or less by inserting a buffer or by some other means.

4.7.1 CLKOUT Output Timing

Specification is identical to that from (A)-Grade except Ta = -40 to +125°C.

4.7.2 Bus Timing (Multiplexed bus mode)

Specification is identical to that from (A)-Grade except Ta = -40 to +125°C.

4.7.3 RESET, Interrupt, ADTRG Timing

Specification is identical to that from (A)-Grade except Ta = -40 to +125°C.

4.7.4 Key Return Timing

Specification is identical to that from (A)-Grade except Ta = -40 to +125°C.

4.7.5 Timer Timing

Specification is identical to that from (A)-Grade except Ta = -40 to +125°C.

4.7.6 CSI Timing

Specification is identical to that from (A)-Grade except Ta = -40 to +125°C.

4.7.7 UART Timing

Specification is identical to that from (A)-Grade except Ta = -40 to +125°C.

4.7.8 IIC Timing

Specification is identical to that from (A)-Grade except Ta = -40 to +125°C.

4.7.9 CAN Timing

Specification is identical to that from (A)-Grade except Ta = -40 to +125°C.

4.8 A/D Converter

(a) AD0

(Ta = -40 to +125°C, VDD = VDD1 = EVDD = BVDD = 3.5V to 5.5V, 4.0 ≤ AVREF0 ≤ 5.5V, 4.0 ≤ AVREF1 ≤ 5.5V, VSS = VSS1 = EVSS = BVSS = AVSS = AVSS1 = 0V, CL = 50pF)

Parameter	Symbol	Conditions	MIN.	TYP.	MAX.	Unit
Resolution					10	bit
Overall error ^{Note1}		4.0V ≤ AVREF0 < 5.5V		±0.15	±0.35	%FSR
Conversion time	tCONV		3.10		16	μs
Stabilization time	tSTA	After ADA0PS bit = 0 → 1	2			μs
Recovery time for power down mode	tDPU		1			μs
Zero-scale error ^{Note1}	ZSE				±0.35	%FSR
Full-scale error ^{Note1}	FSE				±0.35	%FSR
Integral non-linearity error ^{Note2}	INL				±2.5	LSB
Differential non-linearity error ^{Note2}	DNL				±1.5	LSB
Analog input voltage	VIAN		AVSS		AVREF0	V
Analog input equivalent circuit capacitance ^{Note3,4}	CINA				6.19	pF
Analog input equivalent circuit resistance ^{Note3}	RINA				2.55	kΩ
AVREF0 current	IAREF0	A/D operating		4	7	mA
		A/D operation stop		1	10	μA
Conversion result when using Diagnostic function		AVREF0 conversion	3FC		3FF	HEX
		AVSS conversion	000		003	HEX

(b) AD1

(Ta = -40 to +125°C, VDD = VDD1 = EVDD = BVDD = 3.5V to 5.5V, 4.0 ≤ AVREF0 ≤ 5.5V, 4.0 ≤ AVREF1 ≤ 5.5V, VSS = VSS1 = EVSS = BVSS = AVSS = AVSS1 = 0V, CL = 50pF)

Parameter	Symbol	Conditions	MIN.	TYP.	MAX.	Unit
Resolution					10	bit
Overall error ^{Note1}		4.0V ≤ AVREF1 < 5.5V		±0.15	±0.35	%FSR
Conversion time	tCONV		3.10		16	μs
Stabilization time	tSTA	After ADA1PS bit = 0 → 1	2			μs
Recovery time for power down mode	tDPU		1			μs
Zero-scale error ^{Note1}	ZSE				±0.35	%FSR
Full-scale error ^{Note1}	FSE				±0.35	%FSR
Integral non-linearity error ^{Note2}	INL				±2.5	LSB
Differential non-linearity error ^{Note2}	DNL				±1.5	LSB
Analog input voltage	VIAN		AVSS		AVREF1	V
Analog input equivalent circuit capacitance ^{Note3,4}	CINA				5.51	pF
Analog input equivalent circuit resistance ^{Note3}	RINA				2.30	kΩ
AVREF1 current	IAREF1	A/D operating		4	7	mA
		A/D operation stop		1	10	μA
Conversion result when using Diagnostic function		AVREF1 conversion	3FC		3FF	HEX
		AVSS1 conversion	000		003	HEX

- Notes:**
1. Overall error excluding quantization error (±0.05%FSE). It is indicated as a ratio to the full-scale value.
 2. Excluding quantization error (±1/2 LSB)
 3. Not tested in production.
 4. Does not include input/output capacitance CIO

4.9 POC

Specification is identical to that from (A)-Grade except Ta = -40 to +125°C.

4.10 LVI

Specification is identical to that from (A)-Grade except Ta = -40 to +125°C.

4.11 RAM Retention Flag

Specification is identical to that from (A)-Grade except Ta = -40 to +125°C.

4.12 Data Retention Characteristics

Specification is identical to that from (A)-Grade except Ta = -40 to +125°C.

4.13 Flash Memory Programming Characteristics

(a) Basic Characteristics

(C=4.7uF, VDD = VDD1 = EVDD = BVDD, AVREF0 = 3.5 to 5.5V, AVREF1 = 3.5 to 5.5V, VSS = VSS1 = EVSS = BVSS = AVSS = AVSS1)

Parameter	Symbol	Conditions	MIN.	TYP.	MAX.	Unit
Operation frequency	fCPU		4		32	MHz
Supply voltage	VDD		3.3		5.5	V
Number of rewrites	CWRT1	Code Flash	1000			count
	CWRT2	Data Flash	10000			
High level input voltage	VIH	FLMD0	0.8EVDD		EVDD	V
Low level input voltage	VIL	FLMD0	EVSS		0.2EVDD	V
Programming temperature	tPRG		-40		+125	°C
Data retention		Code Flash			15 ^{Note1}	year
		Data Flash			5 ^{Note2}	

- Notes:** 1. Under the condition of CWRT1
 2. Under the condition of CWRT2

Remark: The initial write when the product is shipped, any erase → write set of operations, or any programming operation is counted as one rewrite.

Example: P: Program(write) E: Erase

Product is shipped → P → E → P → E → P : Rewrite count: 3

Product is shipped → E → P → E → P → E → P : Rewrite count: 3

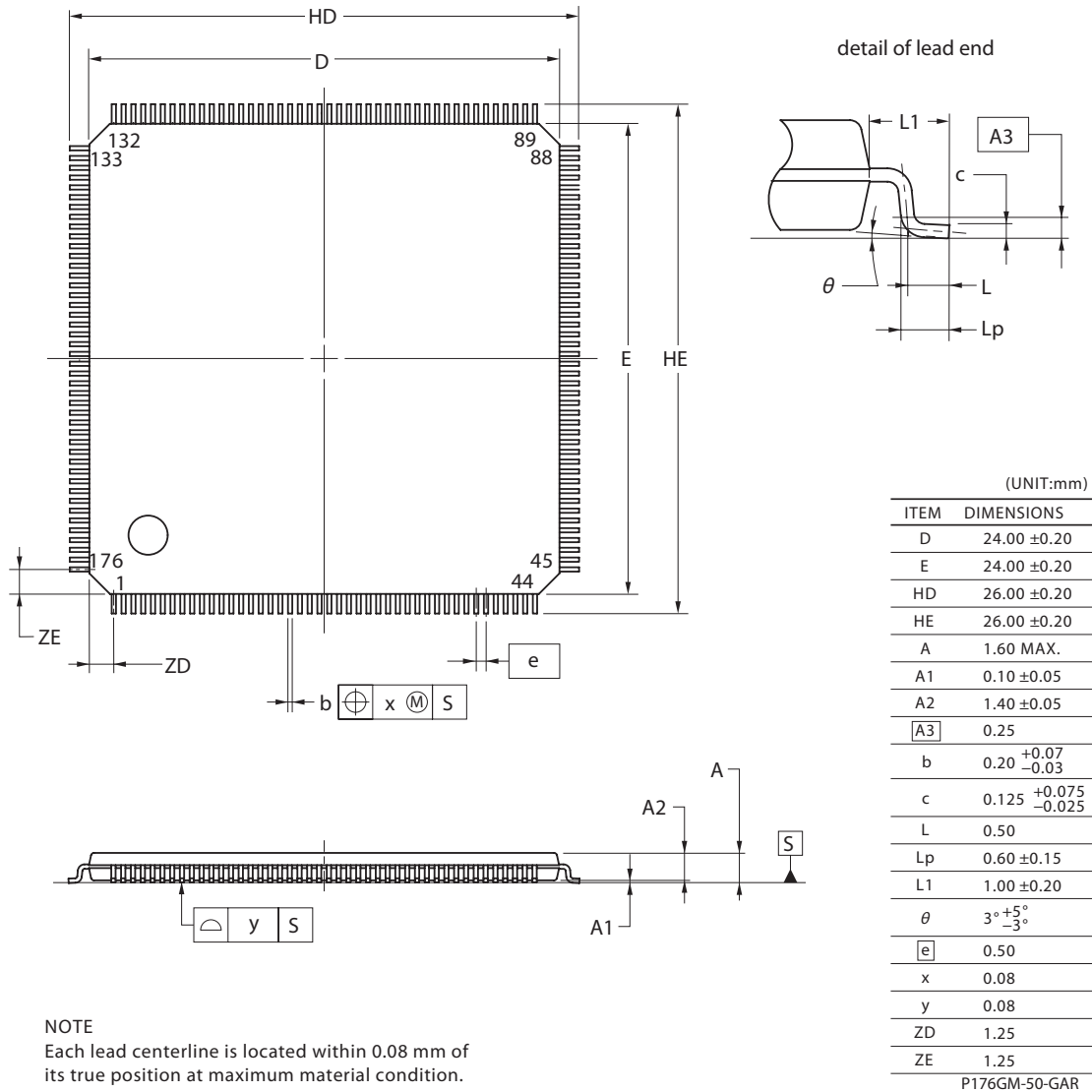
(b) Serial Writing Operation Characteristics

Specification is identical to that from (A)-Grade except Ta = -40 to +125°C.

5. Package

5.1 Package Dimension

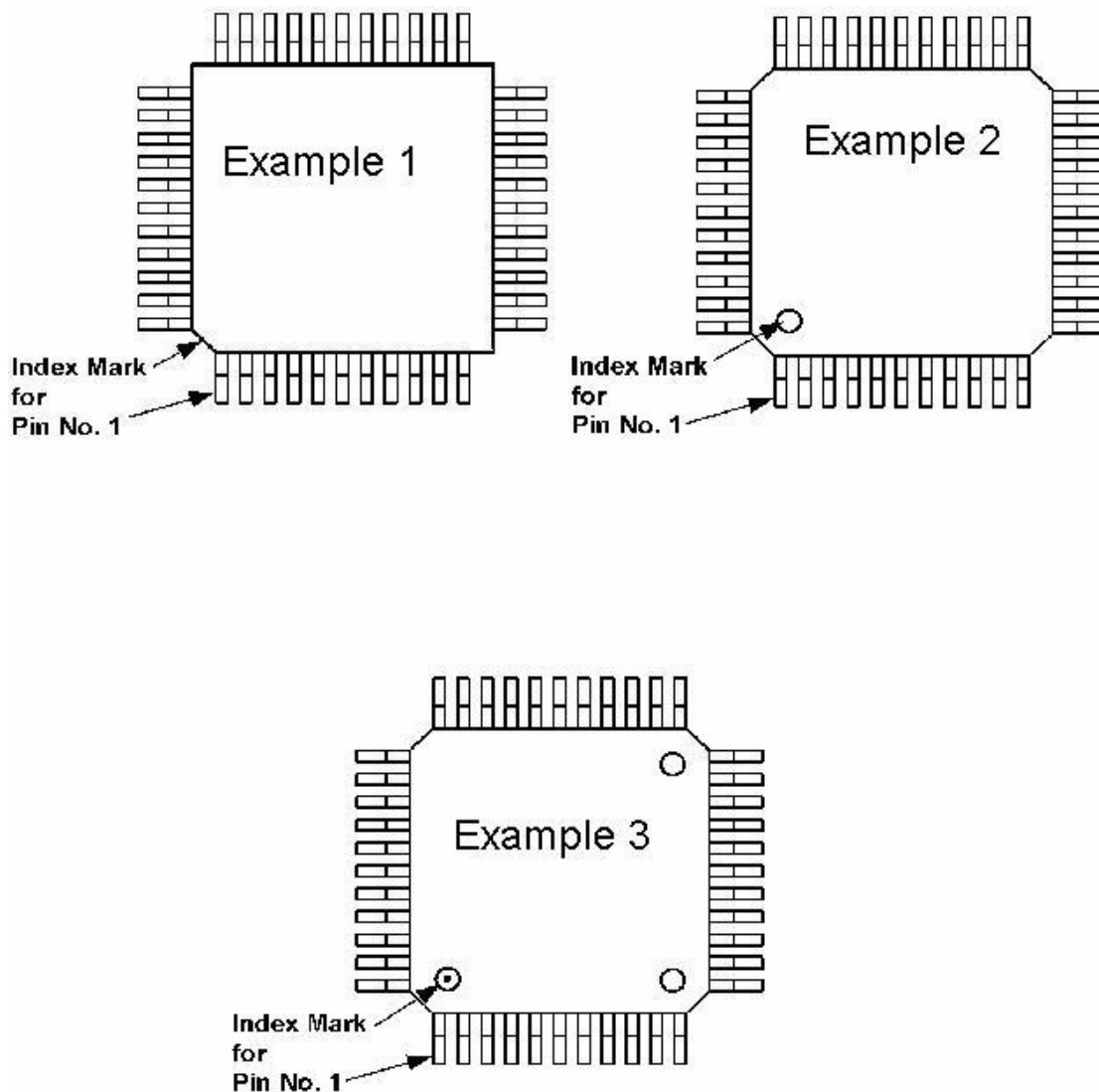
176-PIN PLASTIC LQFP (FINE PITCH) (24x24)



NOTE
Each lead centerline is located within 0.08 mm of its true position at maximum material condition.

5.2 Product Marking

5.2.1 Marking of pin 1 at a QFP (Quad Flat Package)



Example 1: The index mark for pin 1 is the beveled edge of the package

Example 2: The index mark for pin 1 is a round notch at one of the 4 edges. In this case, the shape of all edges is identical (usually beveled).

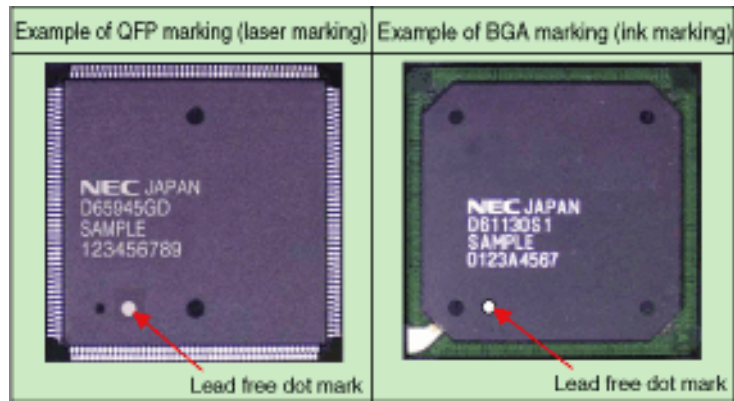
Example 3: For production reasons, two or more similar notches may be located at the top of the package. In such a case the index marker for pin 1 is a round notch with an additional mark in it.

Note: RoHS compliant devices have an additional dot at the top side. Do not mix it up with the marking for pin 1. For details see 5.2.2 "Identification of Lead-Free Products" on page 63.

5.2.2 Identification of Lead-Free Products

Lead-Free products are marked with a dot "•". The marking methods are the paint or the laser (It doesn't sink in). The shape of lead-free marks is a circle.

Example:



6. Change History

The following revision list shows all major changes of the different datasheet versions.

Version	Chapter	Comment
V1.0		Initial release
V1.1	2.13 3.13	Removed 'Target Specification' for (A)- and (A1)-Grade Devices in the Flash Programming specifications. Changed specification of 'Number of rewrites' from MAX. to MIN.
	2.8 4.8	Removed Caution (described in User's Manual)
V1.2		Changed document status from 'Preliminary Datasheet' to 'Datasheet'.
	4.13	Removed 'Target Specification' for (A2)-Grade Devices in the Flash Programming specifications.

Facsimile Message

From:

Name

Company

Tel.

FAX

Address

Although NEC has taken all possible steps to ensure that the documentation supplied to our customers is complete, bug free and up-to-date, we readily accept that errors may occur. Despite all the care and precautions we've taken, you may encounter problems in the documentation. Please complete this form whenever you'd like to report errors or suggest improvements to us.

Thank you for your kind support.

North America NEC Electronics America Inc. Corporate Communications Dept. Fax: 1-800-729-9288 1-408-588-6130	Hong Kong, Philippines, Oceania NEC Electronics Hong Kong Ltd. Fax: +852-2886-9022/9044	Asian Nations except Philippines NEC Electronics Singapore Pte. Ltd. Fax: +65-6250-3583
Europe NEC Electronics (Europe) GmbH Market Communication Dept. Fax: +49(0)-211-6503-1344	Korea NEC Electronics Hong Kong Ltd. Seoul Branch Fax: 02-528-4411	Japan NEC Semiconductor Technical Hotline Fax: +81- 44-435-9608
	Taiwan NEC Electronics Taiwan Ltd. Fax: 02-2719-5951	

I would like to report the following error/make the following suggestion:

Document title: _____

Document number: _____ Page number: _____

If possible, please fax the referenced page or drawing.

Document Rating	Excellent	Good	Acceptable	Poor
Clarity	<input type="checkbox"/>	<input type="checkbox"/>	<input type="checkbox"/>	<input type="checkbox"/>
Technical Accuracy	<input type="checkbox"/>	<input type="checkbox"/>	<input type="checkbox"/>	<input type="checkbox"/>
Organization	<input type="checkbox"/>	<input type="checkbox"/>	<input type="checkbox"/>	<input type="checkbox"/>

[MEMO]