

PTX105R

NFC Reader IC

Product Description

The PTX105R is a highly integrated NFC reader IC for contactless communication, which is optimized for reader performance and interoperability. While eliminating EMC filter and matching components, the PTX105R enables simple integration and compact design without the complexity associated with existing solutions (dual resonating circuits composed by EMC filter and antenna).

Due to its modular Soft Controller architecture, the NFC functionalities are integrated into a split stack solution where time-critical operations are running on the on-chip MCU, and the rest of the NFC logic is in the host controller to carry out applications such as IoT reader.

Features

The architecture enables:

- Efficient power transmission with accurate digital programmability of RF carrier and modulation shape
- EMC filter removal due to sinewave output driver and Direct Antenna Connection (DiRAC)
- -80dBc RX sensitivity with full input dynamic range due to DiRAC
- SDK composed of FW and SW integrated in a Split Stack architecture with Over-The-Air firmware update on the host processor:
 - Modular SW stack running on the Host architecture
 - Integrated FW running on the on-chip MCU for timing critical operations
- Fractional-N PLL to support any reference input clock frequency from 13.15MHz to 52MHz
- ISO/IEC14443-A reader/writer mode up to 848kBit/s
- ISO/IEC14443-B reader/writer mode up to 848kBit/s
- NFC Forum reader/writer mode
- Supports reading/writing of NFC Tag Type 2, 3, 4A/4B and 5

- FeliCa reader/writer mode 212&424kBit/s
- ISO/IEC 15693 reader/writer mode
- Support reading/writing of Mifare® card family including Mifare Classic® (without crypto)¹
- Support Apple ECP “Enhanced Contactless Polling” (feature only available for customers with valid Apple MFi license)
- Transparent mode allowing implementation of customer protocols based on low-level commands
- NFC Forum P2P Passive Initiator
- NFC Card Emulation Mode for Tag Type 4A (106kBit/s)
- Low Power Card Detection (LPCD)
- Low Power Field Detection (LPCD)
- Programmable GPIOs
- Supported host interfaces: I2C, SPI, UART

PTX105R reader IC enables key improvements in customer care-about such as:

RF performance: Patented groundbreaking architecture enables efficient power transmission and -80dBc RX sensitivity, state of the art reader performance even in challenging and complex integration environments.

Interoperability:

- Digitized architecture enables accurate shape control of the modulated signal.
- Elimination of the EMC filter results in well-behaved signal shape avoiding overshoot and undershoot
- DiRAC allows minimum output power loss on matching structure with high input sensitivity, which translates to substantially larger operating volume.

Manufacturability:

- No need for bulky and performance-limiting external components of the EMC filter (no tolerances issue introduced) minimizing the performance variation between final devices.

¹ MIFARE is a registered trademark of NXP B.V

- Reduced number of matching components allow lower antenna matching impedance, resulting in higher output power.
- Accurate adjustment of transmitter and receiver parameters due to digital architecture enabling tighter production control giving more margin for new use cases.

PTX105R is optimized for applications such as IoT Reader, Access Control, Gaming, Transportation, Wearables etc.

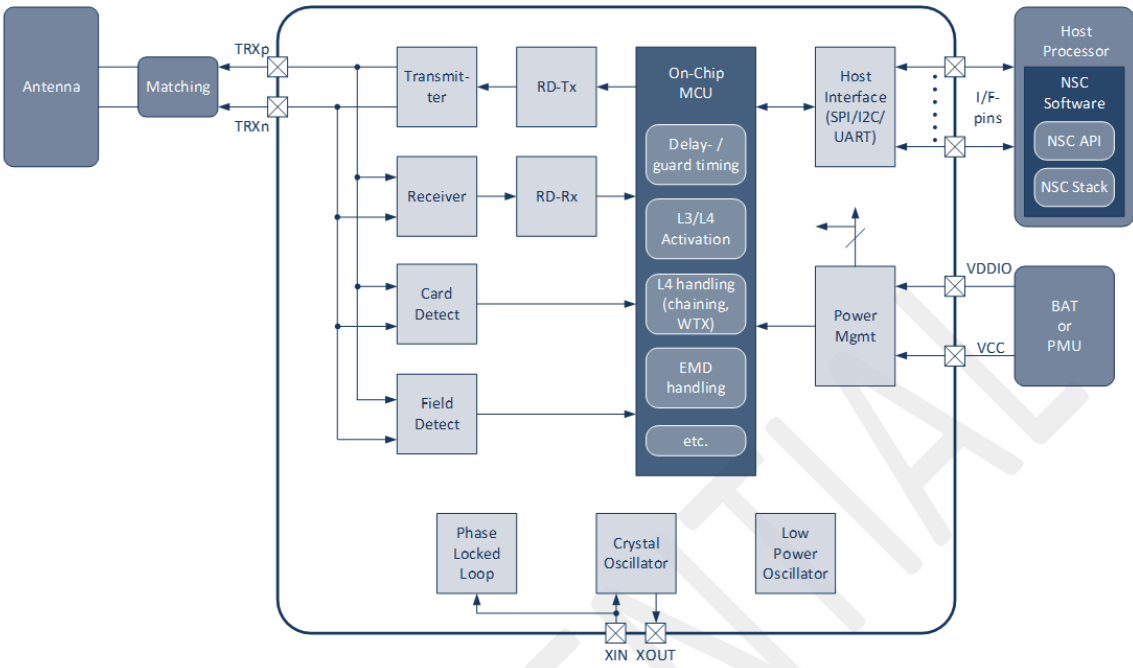


Figure 1: Block Diagram

Contents

1. Pinning Information	7
1.1 Pin Diagram	7
1.2 Pin Description	7
2. Electrical Characteristics	9
2.1 Absolute Maximum Ratings	9
2.2 Electrical Characteristics	10
3. Functional Description	12
3.1 System Architecture	12
3.2 Power Management	12
3.2.1. Power Supply Concept	12
3.2.2. SEN-Pin	13
3.2.3. Supply Ramp-Up Sequence	13
3.2.4. Energy States	14
3.3 Clock Concept	15
3.3.1. Low Power Oscillator (LPO)	15
3.3.2. Crystal Oscillator (XTAL)	15
3.3.3. External Reference Clock	15
3.3.4. Phase Lock Loop (PLL)	15
3.4 Contactless Interface	15
3.4.1. Analog/Digital Transmitter	16
3.4.2. Analog/Digital Receiver	16
3.4.3. Polling Loop	17
3.4.4. Low Power Card Detection (LPCD)	17
3.4.5. Low Power Field Detection (LPFD)	17
3.4.6. Wave-Shaping	17
3.4.7. Digital Dynamic Power Control (DDPC)	18
3.5 Other Supported Features	18
3.5.1. Over-Temperature Protection	18
3.5.2. Auxiliary Digital-to-Analog Converter (AUS-DAC)	18
3.5.3. GPIO Customer Usage	18
3.6 Programmable Control Logic	18
3.6.1. On-chip MCU	19
3.6.2. PTX105R device control firmware	19
3.7 Host Interface	19
3.7.1. Host-Interface Selection	19
3.7.2. Host-Interface Lines	19
3.7.3. Host Interface Protocol	20
3.7.4. IRQ	20
3.7.5. SPI	20
3.7.6. I2C	21
3.7.7. UART	22
3.8 FW/SW Functionality	22
3.8.1. NSC-Interface	22

- 3.8.2. SW Split Stack 22
- 4. Reference Schematic 24**
- 5. Ordering and Package Information 25**
 - 5.1 Ordering Information 25
 - 5.2 Package Marking..... 25
 - 5.3 Package Drawing and Dimension 26

List of Figures

Figure 1: Block Diagram	3
Figure 2: Pin Diagram	7
Figure 3: System Architecture for IoT Application	12
Figure 4: Supply Ramping Up (SEN at logic-low)	13
Figure 5: Supply Ramp Up (SEN==VCC)	14
Figure 6: Contactless Interface	16
Figure 7: Dynamic Digital Power Control (DDPC)	18
Figure 8: SPI mode 0 (CPOL, CPHA = 0)	21
Figure 9: PTX105R SW Stack Integration View	23
Figure 10: Exemplary Reference Schematic	24
Figure 11: Package Marking Drawing	25
Figure 12: Package Drawings and Dimensions	26

List of Tables

Table 1: Pin Description	8
Table 2: Absolute Maximum Ratings	9
Table 3: Operating Range	10
Table 4: DC characteristics	10
Table 5: Receiver / Transmitter Characteristics	11
Table 6: Reference Input Frequency Requirements	11
Table 7: Crystal Requirements	11
Table 8: Host Interface Selection	19
Table 9: Pin Assignment for HIF Selection	20
Table 10: SPI Timing Characteristics	21
Table 11: I2C Address Selection depending on HIF Pin Setting	22
Table 12: Reference Schematic Components	24
Table 13: Ordering Information	25
Table 14: Marking Code HVQFN56	25

1. Pinning Information

1.1 Pin Diagram

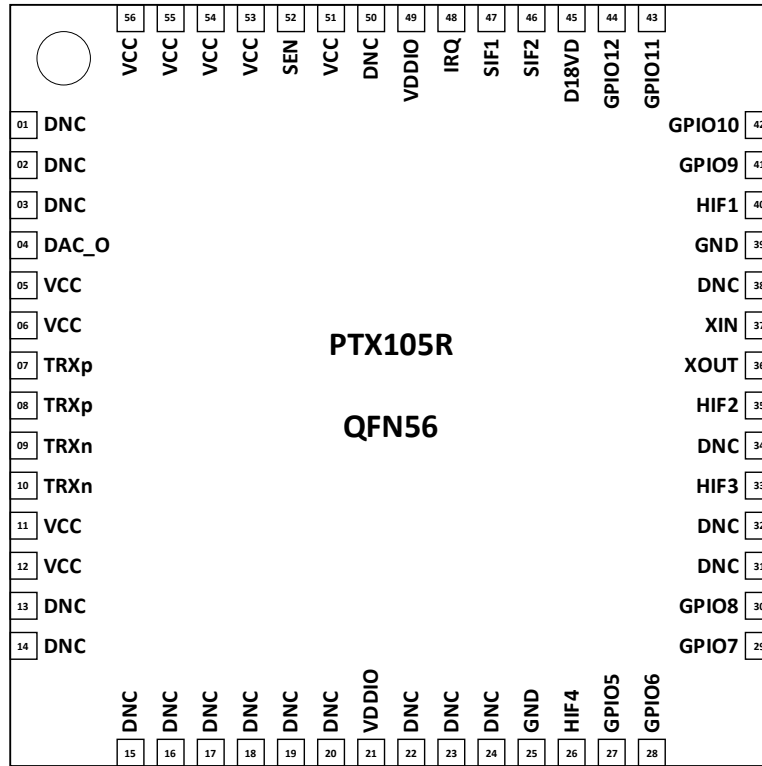


Figure 2: Pin Diagram

1.2 Pin Description

Signal Name	Signal Type	QFN56 Pin	Description
DNC	-	1-3	Do not connect
DAC_O	Analog out	4	AUX-DAC output voltage
VCC	Supply	5	NFC IC supply
VCC	Supply	6	NFC IC supply
TRXp	Analog inout	7	Transmitter/Receiver pin p
TRXp	Analog inout	8	Transmitter/Receiver pin p
TRXn	Analog inout	9	Transmitter/Receiver pin n
TRXn	Analog inout	10	Transmitter/Receiver pin n
VCC	Supply	11	NFC IC supply
VCC	Supply	12	NFC IC supply
DNC	-	13-20	Do not connect
VDDIO	Supply	21	IO Pad supply
DNC	-	22	Do not connect
DNC	-	23	Do not connect
DNC	-	24	Do not connect
GND	Supply	25	Ground
HIF4	Digital inout	26	SPI: MISO, I2C: SCL, UART: TXD
GPIO5	Digital inout	27	General purpose digital IO pin
GPIO6	Digital inout	28	General purpose digital IO pin
GPIO7	Digital inout	29	General purpose digital IO pin

GPIO8	Digital inout	30	General purpose digital IO pin
DNC	-	31	Do not connect
DNC	-	32	Do not connect
HIF3	Digital inout	33	SPI: MOSI, I2C: SDA, UART: RXD
DNC	-	34	Do not connect
HIF2	Digital inout	35	SPI: SCK, I2C: ADDR1, UART: RTS
XOUT	Analog out	36	Xtal oscillator output
XIN	Analog in	37	Xtal oscillator input / Reference clock input
DNC	-	38	Do not connect
GND	Supply	39	Ground
HIF1	Digital inout	40	SPI: NSS, I2C: ADDR0, UART: CTS
GPIO9	Digital inout	41	General purpose digital IO pin
GPIO10	Digital inout	42	General purpose digital IO pin
GPIO11	Digital inout	43	General purpose digital IO pin
GPIO12	Digital inout	44	General purpose digital IO pin
D18VD	Supply	45	Decoupling of core supply
SIF2	Digital in	46	Select interface type bit 2
SIF1	Digital in	47	Select interface type bit 1
IRQ	Digital out	48	Interrupt request to host
VDDIO	Supply	49	IO Pad supply
DNC	-	50	Do not connect
VCC	Supply	51	NFC IC supply
SEN	Analog in	52	System enable input
VCC	Supply	53	NFC IC supply
VCC	Supply	54	NFC IC supply
VCC	Supply	55	NFC IC supply
VCC	Supply	56	NFC IC supply
GND	Supply	-	The exposed pad at the back of QFN is used as GND Requires good thermal connection to ensure low thermal resistance for power dissipation

Table 1: Pin Description

2. Electrical Characteristics

2.1 Absolute Maximum Ratings

Symbol	Parameter	Conditions	Min	Typ	Max	Unit	Remarks
V_{CC}	Supply voltage at VCC		-0.5		5.5	V	
T_J	Junction temperature		-40		125	°C	
T_S	Storage temperature		-40		150	°C	
$R_{th(ja)}$	Thermal resistance junction to air				29	K/W	Based on JESD-51
P_{TOT}	Total power dissipation allowed in the chip				1.4	W	
$V_{ESD(HBM)}$	electrostatic discharge voltage; Human Body Model (HBM)	1500 Ohm, 100 pF; JEDEC JS-001-2017 Table 2A			1500	V	All pins except TRXp/n
$V_{ESD(HBM),TRX}$	electrostatic discharge voltage; Human Body Model (HBM)	1500 Ohm, 100 pF; JEDEC JS-001-2017 Table 2A			750	V	ESD-sensitive pins: TRXp/n
$V_{ESD(CDM)}$	electrostatic discharge voltage (Charge Device model)	Field induced model; JEDEC JS-002-2018			1000	V	
I_{LU}	Latch up	AEC-Q100 (Transient current)	100			mA	
V_{inmax}	Maximum input voltage at digital IO pins		-0.3		$V_{DDIO}+0.3$	V	
I_{iomax}	Maximum current into digital IO pins				4	mA	

Table 2: Absolute Maximum Ratings

2.2 Electrical Characteristics

Unless noted otherwise, typical condition $T_A=25^{\circ}\text{C}$, $V_{CC}=5.4\text{V}$, $F_{\text{ref_clk}}=27.12\text{MHz}$, $V_{\text{ref_clk}}=1.8\text{Vpp}$.

Symbol	Parameter	Conditions	Min	Typ	Max	Unit	Remarks
T_A	Ambient temperature		-40		85	$^{\circ}\text{C}$	
T_J	Junction temperature		-40		120	$^{\circ}\text{C}$	
V_{CC}	Supply voltage		2.7		5.5	V	
V_{DDIO}	Pad supply voltage		1.62		5.5	V	
$V_{\text{SEN_H}}$	System Enable (SEN) pin high-level voltage range		1.62		V_{CC}	V	
V_{IH}	GPIO pins high level input voltage		$0.75 \cdot V_{DDIO}$		V_{DDIO}	V	
V_{IL}	GPIO pins low level input voltage		0		$0.15 \cdot V_{DDIO}$	V	
V_{OH}	GPIO pins high level output voltage ²		$V_{DDIO}-0.5$		V_{DDIO}	V	
V_{OL}	GPIO pins low level output voltage		0		0.45	V	

Table 3: Operating Range

Symbol	Parameter	Conditions	Min	Typ	Max	Unit	Remarks
I_{PD}	Power down current consumption	$V_{CC} = 3.6\text{V}$ SEN=0		3		μA	
I_{STBY}	Standby current consumption	$V_{CC} = 3.6\text{V}$		15		μA	
I_{CD_rd}	Low power card detection current consumption	$V_{CC} = 5.5\text{V}$		100		μA	2Hz polling frequency with optimized reading distance
I_{VCC}	Supply current				500	mA	

Table 4: DC characteristics

² V_{OH} measurement condition: $I_{load}=2.8\text{mA}$ with $V_{DDIO}=4.5\text{V}$; $I_{load}=0.4\text{mA}$ with $V_{DDIO}=1.62\text{V}$.
 V_{OL} measurement condition: $I_{load}=2.1\text{mA}$ with $V_{DDIO}=4.5\text{V}$; $I_{load}=0.6\text{mA}$ with $V_{DDIO}=1.62\text{V}$.

Symbol	Parameter	Conditions	Min	Typ	Max	Unit	Remarks
$V_{in_rx_rd}$	RX carrier signal reader		100m		50	Vpp	differential
$S_{in_RX_rd}$	RX sensitivity AM			-80 ³		dBc	$V_{in_rx_rd} \geq 25V_{pp}$
$H_{out_tx_rd}$	Transmitter output harmonics			-60		dBc	
C_{out_tx}	Transmitter serial output capacitance			640		pF	

Table 5: Receiver / Transmitter Characteristics

Symbol	Parameter	Conditions	Min	Typ	Max	Unit	Remarks
F_{ref_clk}	Reference clock input frequency		13.15	27.12	52	MHz	
$V_{ref_clk_low}$	Reference clock input voltage low		0		400	mV	
$V_{ref_clk_high}$	Reference clock input voltage high		1.4		1.95	V	
Δf_{ref_clk}	Reference clock frequency tolerance		-50		+50	ppm	
$DC_f_{ref_clk}$	Reference clock duty cycle		40	50	60	%	

Table 6: Reference Input Frequency Requirements

Symbol	Parameter	Conditions	Min	Typ	Max	Unit	Remarks
F_{xtal_clk}	Reference clock input frequency			27.12		MHz	
Δf_{xtal_clk}	Reference clock frequency tolerance		-50		+50	ppm	
ESR	Equivalent serial resistance				150	Ohm	
C_L	Load capacitance			6		pF	On chip available

Table 7: Crystal Requirements

³ To achieve -80dBc RX sensitivity, V_{CC} shall not have voltage ripple higher than 500uVrms ($V_{VDDPA} = 5V$) around the carrier frequency ($\pm 1MHz$).

3. Functional Description

3.1 System Architecture

PTX105R is a highly integrated reader IC using a split-stack SW architecture, allowing flexible adaption of SW to the needs of the application system such as IoT/NFC Reader. This flexibility is achieved by an optimized software interface and ready to use SW-stack for the host-controller. The portable SW stack written in C, implements high level NFC functionality and provides easy to use APIs for integration into the Host system.

Figure 3 shows PTX105R used for IoT application as an example. Timing critical tasks such as polling and protocol handling are executed directly by PTX105R Hardware, while higher-level protocol related tasks are executed by the SW stack running on the Host processor.

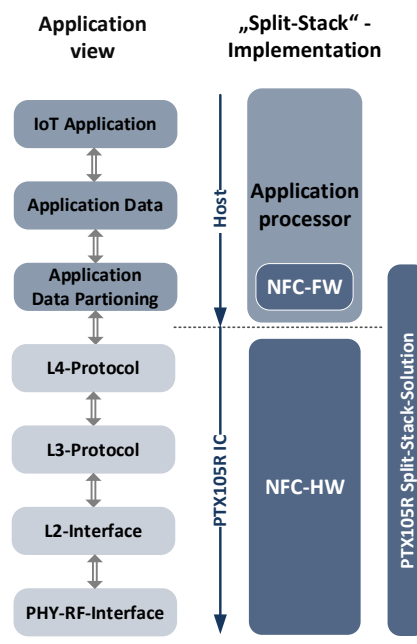


Figure 3: System Architecture for IoT Application

The PTX solution is modular and runs on different platforms, providing additional facilities for custom features in case needed.

3.2 Power Management

The power management unit is the central circuit of the PTX105R responsible for providing all necessary reference voltages and currents, generating the internal supply domains, implementing the power-up sequence, and controlling the transitions between different energy states.

3.2.1. Power Supply Concept

PTX105R has 3 externally accessible supply domains which are described as follows:

3.2.1.1. VCC

VCC is the main supply domain from which all functional blocks are supplied. To operate the IC this supply must always be present.

3.2.1.2. D18VD

The internally generated core supply is routed to pin D18VD for external supply blocking. Hence external supplies are not allowed to be connected. For recommended blocking components please refer to the relevant application note.

3.2.1.3. VDDIO

Pad supply for all GPIO- and HIF/SIF-pins. It must be present during start-up for proper host-interface selection and afterward for host interface communication. In power-down mode, the voltage may be removed from this domain, but the pin shall not be pulled to VS (i.e. to be put to HiZ).

If for power saving reasons at any point in time the VCC domain is switched off, then VDDIO must also be removed.

3.2.2. SEN-Pin

The SEN-pin is used to boot up the PTX105R (logic-high level) or to bring the IC into power-down state (logic-low level). Detailed ranges for the logic-levels are given in Table 3.

Note that SEN-input voltage must never exceed V_{CC} . For safe operation, SEN shall change to a logic low before V_{CC} drops below V_{CC_min} (value defined in Table 3).

Logic-low level pulses with smaller than 3.4 us pulse width on SEN-pin will not change the current energy state of the IC. Negative pulses that are slightly longer will first reset the internal state and for even longer negative pulses the IC changes the energy state to power-down mode. The exact pulse width below which a reset is triggered, and above which power-down mode is entered depends on the blocking capacitor value on D18VD-pin.

3.2.3. Supply Ramp-Up Sequence

For the supply ramp-up two sequences are proposed: a default sequence with SEN pin at logic-low for relaxed timing constraints between V_{CC} and V_{DDIO} , and a sequence with SEN pin connected to VCC for simpler configuration and faster start-up.

Ramp-up sequence with SEN at logic-low (transition into power-down mode):

- First, the battery supply V_{CC} shall be ramped up – the IC remains in power-down mode
- V_{DDIO} shall be ramped up. V_{DDIO} may ramp concurrently to V_{CC} .
- V_{DDIO} supply and a stable state of SIF1/SIF2 pins shall latest be available when the SEN pin voltage reaches a valid logic-high level. These timings also apply when leaving power-down mode with disabled V_{DDIO} .

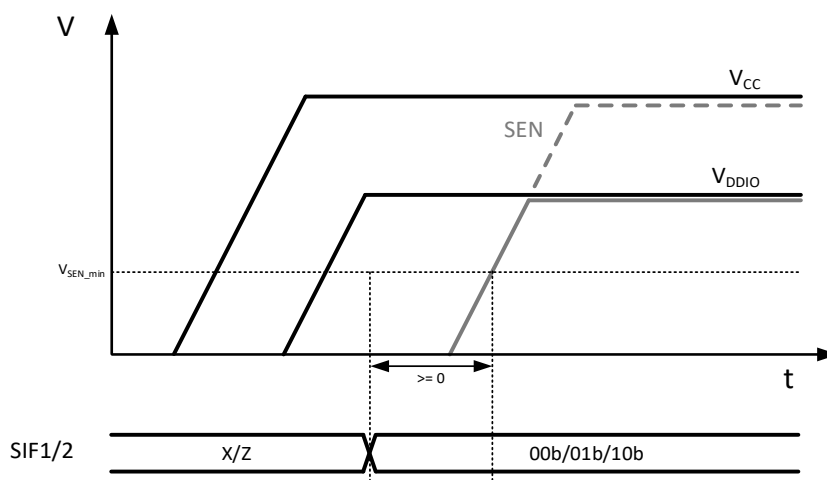


Figure 4: Supply Ramping Up (SEN at logic-low)

Ramp-up sequence with SEN at logic-high (transition into full-power mode):

- First, the battery supply V_{CC} together with SEN pin voltage shall be ramped up.
- V_{DDIO} shall be ramped and shall be at V_{DDIO_min} latest 100 us after V_{CC} exceeds V_{CC_min} (i.e. 2.7 V). Latest at this point also the state of the SIF1/SIF2 pins shall be stable.

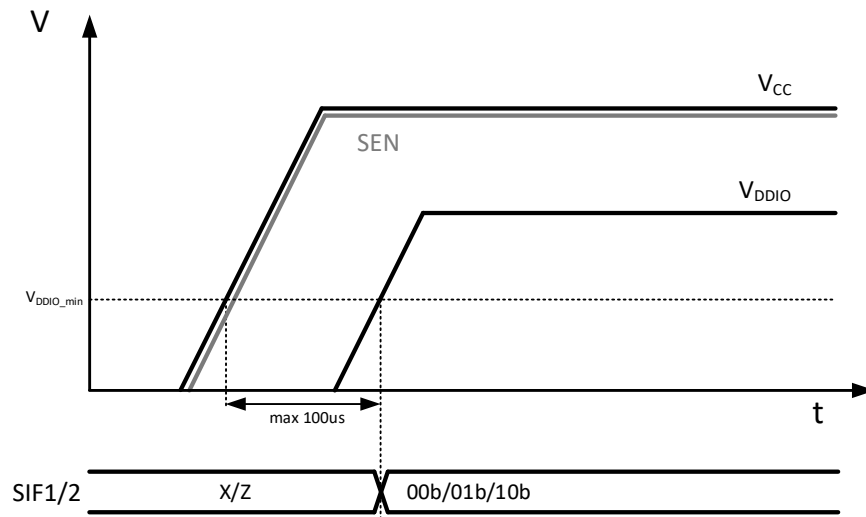


Figure 5: Supply Ramp Up (SEN==VCC)

In typical applications, after SEN, V_{DDIO} and SIF pins reach their stable level, PTX105R is ready for operation in less than 1ms.

As SIF pins select the interface to be used and are only captured at boot time, it is important that the logic level of SIF pins is set at the right time during the power-up process.

3.2.4. Energy States

To support the implementation of flexible system power consumption profiles, PTX105R offers different energy states, each being a trade-off between functionality and power consumption.

3.2.4.1. Full-Power Mode

This is the main operating mode of PTX105R, in which all internal supply domains are ramped up and all internal clocks are running. This mode is activated by applying a logic-high level at SEN-pin.

In this mode, PTX105R is fully active and can communicate with the host controller via the host interface.

3.2.4.2. Power-Down (PD) mode

For maximum power saving PTX105R can be set to power-down mode by applying a logic-low level at the SEN pin. In this mode PTX105R consumes its lowest power and does not react to any external events. All GPIO-pins and the SIF1/SIF2-pins are switched to HiZ-state, the VDDIO supply may be removed as well.

After leaving this mode the internal state of PTX105R is reset.

3.2.4.3. Standby (STBY) Mode

PTX105R supports Standby Mode for low power applications, with the possibility to wake up in response to selected events such as Low Power Card Detection or Host-interface activities. In this mode, a logic-high level shall be maintained on SEN-pin and the internal state of PTX105R is fully maintained.

Depending on the application, different wake-up sources (e.g., execution of Polling loop, LPCD/LPFD procedure) can be defined by the customer. Once configured, it runs autonomously and no interaction with the Host is required.

Events triggering the wakeup of the IC from standby mode include:

- Activity on Host-interface
- Execution of Polling
- LPCD/LPFD procedure

3.3 Clock Concept

In PTX105R a low-power oscillator (LPO), a crystal oscillator (XO) and a phase-locked loop (PLL) are the main blocks responsible for generating the necessary internal clocks in the various modes.

The reference clock for PTX105R can either be provided from an external clock source or the internal crystal oscillator can be employed. Out of this clock, the PLL subsequently derives the system frequency of 13.56MHz.

3.3.1. Low Power Oscillator (LPO)

The low-power oscillator is the lifeline of PTX105R, and its 125kHz-clock is particularly employed during IC ramp-up and in standby mode, when the internal PLL is powered down to save energy.

3.3.2. Crystal Oscillator (XTAL)

The internal crystal oscillator is designed for crystal types with a resonant frequency of 27.12MHz, which shall be externally connected between XIN- and XOUT pins. The oscillator will also work with other crystals around this frequency - please contact Renesas for support.

The PTX105R features internal caps of 6pF each from XIN- and XOUT-pins to GND to act as crystal load capacitors.

3.3.3. External Reference Clock

Alternative, an external reference clock with frequency between 13.15MHz and 52MHz can be applied to XTAL1 pin. Detailed requirement on the external reference clock is specified in Table 6.

3.3.4. Phase Lock Loop (PLL)

A fractional-N PLL produces the core clock that is used to derive all the needed internal clocks.

A Delta-Sigma Modulator (DSM) is used to program the N division word of the fractional-N PLL. This allows very fine frequency resolution of all clocks and output frequencies.

3.4 Contactless Interface

In PTX105R, lower-level functionality up to communication framing is available through the Contactless Frontend, higher level functionality is implemented via the RF-Subsystem of the on-chip MCU (see 3.6.1)

Figure 6 gives a block level overview of the Contactless Interface. At TRXp / TRXn pins the device is connected via a matching network to the antenna of the system.

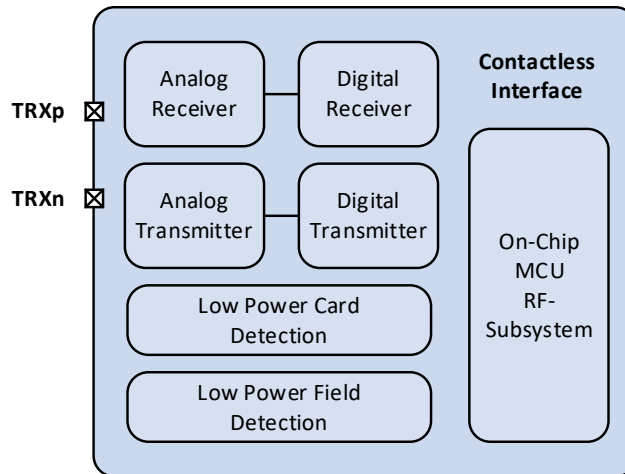


Figure 6: Contactless Interface

3.4.1. Analog/Digital Transmitter

In PCD mode, the transmitter generates the RF-field and amplitude-modulates the PCD commands on the RF-carrier according to the selected communication type.

The analog transmitter itself consists of a digital-like topology, which allows to directly output sinusoidal carriers with high spectral purity and high efficiency. Therefore, EMC-filters, which are required in conventional products in the matching network of Reader-antennas, can be omitted. Additionally, direct antenna connection allows to shape the modulation in a very fine granularity. PTX105R offers dynamic wave-shaping feature, which optimizes the modulation shapes to fulfill the requirements of the final application – see chapter 3.4.6 for details.

The digital transmitter is responsible for encoding the command/data to be sent, applying the respective modulation according to the selected communication type and synchronization of the modulation with the carrier.

Output power of the transmitter can be adapted directly by adjusting the sinusoidal amplitude based on the Received Signal Strength Indicator (RSSI). More details on Digital Dynamic Power Control (DDPC) is explained in 3.4.7.

3.4.2. Analog/Digital Receiver

The receiver, consisting of an analog and a digital part, is responsible for reception, demodulation and signal processing of incoming commands and data from the communication counterpart of PTX105R.

The analog receiver is based on an I/Q-architecture in the RF-domain, which is followed by a baseband chain with programmable gain amplifiers and filters to properly adjust the received signal from varied sized antennas to the full-scale range of the ADC.

The digital receiver provides means to configure the digital detection threshold on a fine granularity to optimize sensitivity while having ensured good noise immunity. The received information is then extracted on a bit- and frame-level to finally obtain the transmitted command/data.

For easy integration into the customer application, parameters such as PGA gain and digital RX-threshold can be adapted based on the target applications, while RF-protocol related parameters such as filter frequency settings stay pre-defined and unmodified.

3.4.3. Polling Loop

Polling loop is the center of all NFC-applications. In a loop PTX105R executes polling sequences through the defined RF-protocol following well-defined timing specifications. Depending on the use-case, PTX105R can be configured to execute one of the two different scenarios as described below:

- Standard NFC applications, which polls for selected technologies in defined intervals. Between the polling cycles PTX105R either stays idle or enters standby to reduce power consumption
- Low-Power application. For Reader applications, the Low-Power-Card-Detection mechanism is used to significantly reduce power consumption (see chapter 3.4.4 for more information).

For applications where Host-Card-Emulation functionality is required, Low-Power-Field-Detection can be enabled during Standby mode to detect the existence of an external RF field (see Chapter 3.4.5 for more information).

Polling interval together with the above-mentioned RF-protocol configurations can be easily configured by the customer based on the target application.

3.4.4. Low Power Card Detection (LPCD)

To optimize the power consumption for low power applications, PTX105R supports Low Power Card Detection (LPCD) feature. LPCD is used to check if a PICC is within the communication range without immediately starting a power-hungry communication. Only when a PICC is present, normal polling will be initiated, otherwise PTX105R goes back to standby. The interval for LPCD is a configurable parameter, as well as key parameters defining the LPCD detection range. In this way optimized current consumption can be achieved for different applications.

To check the amplitude and phase of the antenna and determine if a PICC is present, only a reduced set of the hardware blocks are enabled. Additionally, active time of Transmitter, the most power consuming block, is kept to minimum. Comparing with normal polling mode which executes communication commands according to standard and requires Transmitter to be active for at least several milliseconds, in LPCD mode the transmitter is only active for less than 100us.

The power consumption in LPCD mode can be further optimized by adjusting the output amplitude.

Thanks to the split-stack architecture, the Low Power Card Detection is performed by PTX105R autonomously. Once LPCD mode is configured, the Host MCU is not required anymore, thus can go to lower power mode. In case a PICC is discovered, the host will be notified by PTX105R. For more details on the LPCD configuration, please refer to separate application note.

3.4.5. Low Power Field Detection (LFPD)

To enable low power applications in Card Emulation mode, PTX105R supports Low Power Field Detection (LFPD) feature. A dedicated Wake Up Receiver (WURX) block is used to sense the presence of a RF-field. The WURX block is enabled periodically and only when an RF-Field is detected, a system wakeup from standby is triggered.

The detection threshold as well as the interval for LFPD is customer configurable. In this way the performance and power consumption can be optimized based on the individual application.

3.4.6. Wave-Shaping

One of the great features enabled by the sine-wave transmitter is an advanced wave-shaping capability for the modulation on the RF-Field. As the change of sine-wave amplitude is directly fed to the antenna without being influenced by external matching components such as the EMI filter, the shape of the modulation edges can be adjusted directly if needed.

To achieve this, PTX105R offers the possibility to add up to 8 cycles with different sine-waves amplitude between the unmodulated and modulated carriers. This can be independently done for the falling and the rising modulation edge.

3.4.7. Digital Dynamic Power Control (DDPC)

To maintain a stable output power within a given volume, the output of PTX105R can be switched between different levels based on the measured RSSI value. The RSSI value indicates the amplitude of the RF-Field generated by the PTX105R, which changes under the influence of load depending on the distance.

Figure 7 below illustrates the principle behind the DDPC: for a given antenna system an upper and a lower RSSI threshold can be defined. When the PTX105R operates in high-power mode and the measured RSSI value drops below the upper threshold, the transmitter is switched to the low-power mode. Similarly, when in low-power mode and the RSSI exceeds the lower threshold a switch back to high-power mode is performed. Enough hysteresis between upper and lower switching level ensures a stable performance.

PTX105R DDPC algorithm is executed on the device, which means that no host-interaction is needed.

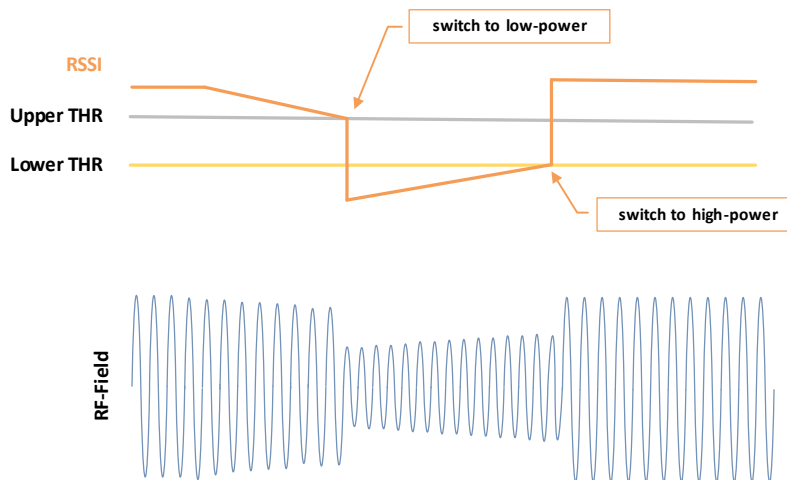


Figure 7: Dynamic Digital Power Control (DDPC)

3.5 Other Supported Features

3.5.1. Over-Temperature Protection

PTX105R features an on-chip temperature sensor that continuously monitors the die temperature. In case the temperature exceeds a configurable threshold, the transmitter is automatically disabled.

3.5.2. Auxiliary Digital-to-Analog Converter (AUS-DAC)

PTX105R comprises a 5-bit general-purpose digital-to-analog converter (DAC), which operates from the V_{CC} domain and whose output is available at the DAC_O pin.

3.5.3. GPIO Customer Usage

PTX105R provides customer access to 8 GPIOs. This GPIOs can be configured as input or output separately, depending on the customer application. Specially for system with small MCU, this feature releases the load on the Host greatly.

3.6 Programmable Control Logic

PTX105R is a highly integrated NFC device greatly unloading the host device in respect to contactless communication effort. This is achieved by handling major parts of the contactless protocols up to NFC-Forum ISO-DEP protocol directly on the IC using the Renesas NSC (NFC Soft Controller) interface. On

top the SW stacks takes care of data aggregation and management, providing easy to use APIs to the user.

Timing critical high-level functions, such as ISO-DEP frame de-/composition, automatic frame re-transmission, WTX handling, EMD handling, etc, are implemented by a programmable control logic circuit – the on-chip MCU – guaranteeing great execution speed by keeping flexibility by means of updates/upgrades.

3.6.1. On-chip MCU

The on-chip MCU executes the program downloaded to the PTX105R code-memory. It has access to all internal status information as well as the configuration mechanisms.

After downloading the micro-code (uCode) the on-chip MCU can be enabled. Subsequently, it accepts NSC commands for handling all tasks.

3.6.2. PTX105R device control firmware

3.6.2.1. uCode Download Mechanism

Before enabling the on-chip MCU, the devices uCode must be downloaded. This is done via the host-interface by utilizing the Write-Instruction functionality.

3.6.2.2. Accelerator Enable

Activating the on-chip MCU is achieved by writing the corresponding command to the device.

3.6.2.3. Soft-Reset

PTX105R provides a Soft-Reset functionality that resets all digital blocks and disables all analog blocks (same condition as after boot).

3.7 Host Interface

PTX105R supports the most used industry standard host interfaces, namely SPI up to 10Mbps, I2C up to 3.4Mbps and UART with data-rates from 9.6kbps up to 3.4Mbps.

The host interface is designed for typical interface supply voltages used by micro-controllers in the range of 1.8V to 5V which must be supplied by the host via the VDDIO pin.

3.7.1. Host-Interface Selection

Only one interface type is available at a time and the configuration can only be changed when PTX105R is in power-down state. Host interface selection is done via the configuration pins SIF1 and SIF2 at startup. A change of the pin state after boot does not have any effect on the selected interface type.

The following table describes the selection of host interface with respect to the value at the SIF pins:

{SIF2, SIF1}	HIF
2'b00	SPI
2'b01	I2C
2'b10	UART
2'b11	Reserved for test

Table 8: Host Interface Selection

3.7.2. Host-Interface Lines

4 pins (HIF1-HIF4) are utilized for the host interface communication, depending on the selection, configuration, and application at least 2 HIF pins and up to all 4 are used.

Table 9 specifies the pin assignment for the chosen interface type. For SPI, all HIF-interface pins are used during the communication. In contrast, for I2C HIF1 and HIF2 (corresponding to the ADDR0 and ADDR1 pins) are only needed at startup to define the last two bits of the I2C-address. For UART mode HIF1 and HIF2 (CTS and RTS) are used for flow control.

PIN	SPI	I2C	UART
HIF1	NSS	ADDR0 ¹⁾	CTS ²⁾
HIF2	SCK	ADDR1 ¹⁾	RTS ²⁾
HIF3	MOSI	SDA	RXD
HIF4	MISO	SCL	TXD

Table 9: Pin Assignment for HIF Selection

- 1) LSBs of I2C address, evaluated at boot
- 2) Flow-control pins

3.7.3. Host Interface Protocol

Above the physical protocol layer, a simple Host-Interface-Protocol is implemented to define the type and the destination of any host communication.

PTX105R uses different mechanisms for SPI/I2C and UART. For SPI and I2C, the HIP is designed as a true master-slave protocol where every transaction is initiated by the master (host). The UART communication on the other hand, is implemented to transfer data to the host directly when needed, i.e. a data message is immediately initiated without interaction from the host (no IRQ).

To cover the needed functionality, following transaction types are available:

- *WInst*: Write instruction is used preload the Code Memory (CMEM)
- *RMsg*: Read a message from PTX105R
- *WMsg*: Write a message to PTX105R
- *WCmd*: Write command on PTX105R

The Renesas' SW stacks use the above-mentioned transactions to provide the functionality to the application. Hence, direct handling of an interaction with the PTX host interface protocol is usually not necessary. For more details on the Host Interface Protocol in case needed, please refer to the Host Interface Reference document.

3.7.4. IRQ

PTX105R has an exclusive IRQ line used to signal the host a communication request.

For SPI and I2C interface asserting an IRQ is the only possibility to initialize a transmission from PTX105R to the host.

The UART interface in contrast, provides a special "push" mode, allowing PTX105R to initiate a transfer and transmit notifications to the host directly without the host starting the transfer. This mode is only usable with hardware flow-control enabled. In this mode, no IRQ line is needed.

3.7.5. SPI

PTX105R implements a standard SPI interface supporting the SPI mode 0 (CPOL = 0, CPHA = 0), i.e. the clock must be low when data changes and data is captured at the leading clock edge after NSS is de-asserted.

It uses 4 signal lines for communication:

- Not-Slave-Select (NSS): Active low input to select the device. A communication is initiated by pulling NSS low. When NSS is high the data output MISO is disabled

- Serial Clock (SCK): Clock input for the SPI interface.
- Master-Out-Slave-In (MOSI): Serial data line from host (master) to PTX105R. Data is registered at positive edge of the clock
- Master-In-Slave-Out (MISO): Serial data line from PTX105R to host (master). Data is shifted on negative edge of the clock

Figure 8 below illustrates a standard SPI transfer with mode 0. The communication starts on pulling NSS line low.

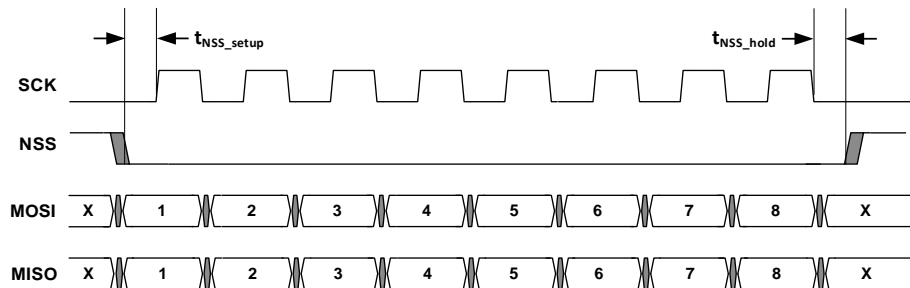


Figure 8: SPI mode 0 (CPOL, CPHA = 0)

Data transfers must always be byte aligned, i.e. the number of bits transmitted is a multiple of 8. Furthermore, the minimum numbers of bytes per frame are 2 (1 header byte + 1 data byte) and frames must be transmitted at once – without pulling NSS high in between.

Further timing characteristics for SPI interface are specified in Table 10.

Symbol	Parameter	Conditions	Min	Typ	Max	Unit	Remarks
f_{SCK}	SPI clock frequency				10	MHz	
DC_{SCK}	SPI clock input duty cycle		40	50	60	%	
t_{NSS_setup}	Setup time from NSS low to rising edge of SCK		25			ns	
t_{NSS_hold}	Hold time from falling edge of SCK to NSS high		25			ns	

Table 10: SPI Timing Characteristics

3.7.6. I2C

The I2C interface provided by PTX105R is according to the revision 6 of NXP I2C-bus specification. Following modes are supported by the device:

- Standard-mode (Sm), with a bit rate up to 100 kbps
- Fast-mode (Fm), with a bit rate up to 400 kbps
- Fast-mode Plus (Fm+), with a bit rate up to 1 Mbps
- High-speed mode (Hs-mode), with a bit rate up to 3.4 Mbps

PTX105R supports 7-bit addressing, where the 2 LSBs of the devices I2C-address can be configured via the pins HIF1 and HIF2 at start-up. In contrast, the upper 5 bits are fixed to 10011(b), resulting in an address between 0x4C and 0x4F (see Table 11).

7bit I2C Address	HIF2 pin	HIF1 pin
0x4C	0	0
0x4D	0	1
0x4E	1	0
0x4F	1	1

Table 11: I2C Address Selection depending on HIF Pin Setting

Clock-stretching is not used by the PTX105R, i.e. no delaying of the communication is necessary.

3.7.7. UART

PTX105R supports serial communication UART communication mode with flow-control up to a data-rates of 3.4 Mbps. As there is no common clock reference for the UART interface the data-rate reference must be very accurate.

A transaction starts with a Start-of-Frame (SOF) symbol, i.e. one byte with value 0x55, followed by a byte indicating the length of transmission payload (TXL). The TXL specifies the number of payload bytes following. A TXL == 0x00 specifies a length of 256 byte.

Every response from PTX105R starts with the length of reception payload (RXL). As for the transmission, the RXL specifies the number of bytes to follow, but only values from 1 to 255 are possible. In case no response is expected (write only transactions) the device sends a one byte acknowledge putting RXL to 0x00.

After boot, baud-rate detection is enabled and accepts data rates of 9.6kbps or 115.2kbps. Once the clock system is configured correctly, data rates up to 3.4Mbps can be used.

As mentioned above, hardware flow control (RTS/CTS – both polarities are possible) must be enabled as TX-push mode is used for communicating with PTX105R.

To further improve communication stability, stop bit can be extended to 2 bits instead of 1 bit.

3.8 FW/SW Functionality

3.8.1. NSC-Interface

To access PTX105R, an optimized high-level software interface is implemented providing functions for device configuration as well as all data communications.

The interface is based on messages which carry commands, responses, and notifications. Commands are always sent by the host; responses are generated by the PTX105R as reactions to commands. Notifications are transmitted by the PTX105R to indicate the host an event has occurred and is usually asynchronous to commands.

Data packages between PTX105R and the host are called NSC Data messages, and the RF/NFC specific protocol related header bytes are managed by the on-chip MCU automatically.

3.8.2. SW Split Stack

Renesas provides additional SW-stacks on top of the NSC interface to further ease the integration of the PTX105R into the target application. The SW stacks manage all interactions with the PTX105R on NSC level, by setting up and configuring the device, consolidating status information, handling error messages, and establishing a data channel between the host and the NFC controller.

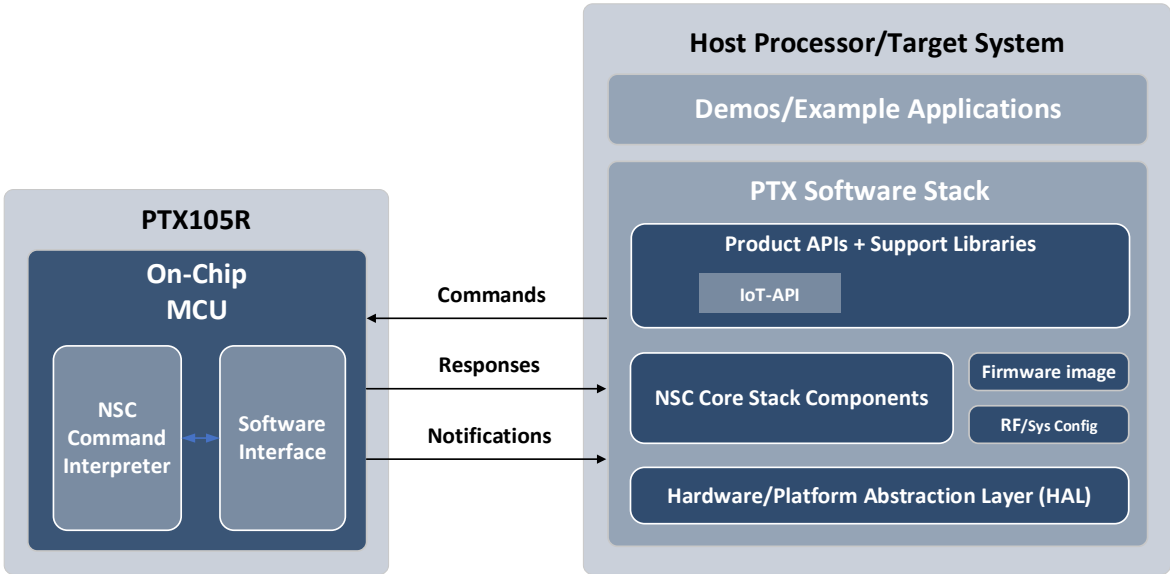


Figure 9: PTX105R SW Stack Integration View

For more details on the PTX105R SW integration, please refer to the integration manual accordingly.

4. Reference Schematic

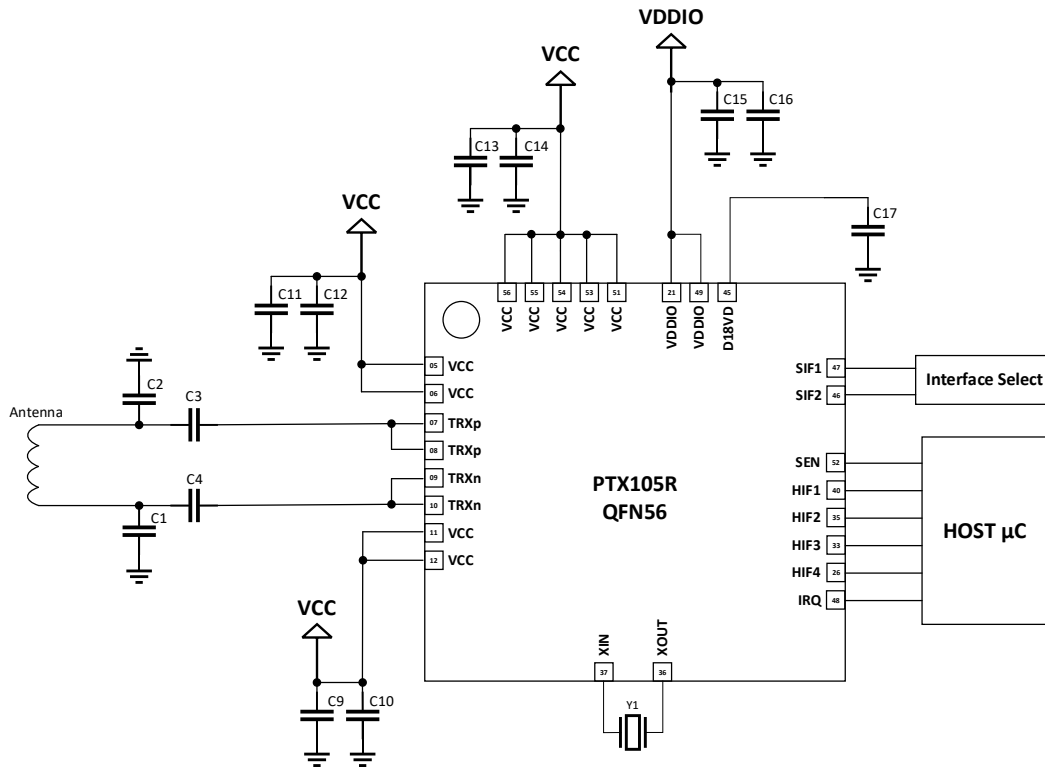


Figure 10: Exemplary Reference Schematic

Designator	Component type	Component value	Description
C1, C2, C3, C4	Ceramic capacitor	-	Matching capacitors
C9, C11, C13	Ceramic capacitor	10μF	Note that capacitor shall have at least 2.2μF effective capacitance at applied voltage
C10, C12, C14, C15, C17	Ceramic capacitor	100nF	
C16	Ceramic capacitor	10μF	Optional, depending upon VDDIO supply noise/impedance
Y1	Crystal oscillator	27.12MHz	According to Table 7

Table 12: Reference Schematic Components

5. Ordering and Package Information

5.1 Ordering Information

Part Number	Package	Size (mm)	Shipment Form	Pack Quantity
PTX105RDQ56D13	HVQFN56	7x7	Tape & Reel	3000

Table 13: Ordering Information

5.2 Package Marking

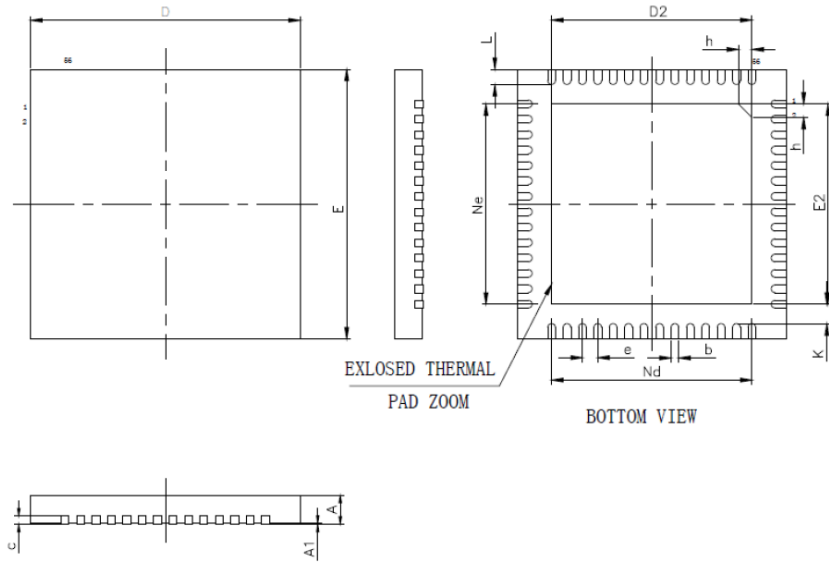


Figure 11: Package Marking Drawing

Symbol	Description
PTX105R	Device Name
XXXXXX.X	Wafer Lot No.
YYWW	Production year/week

Table 14: Marking Code HVQFN56

5.3 Package Drawing and Dimension



SYMBOL	MILLIMETER		
	MIN	NOM	MAX
A	0.70	0.75	0.80
	0.80	0.85	0.90
	0.85	0.90	0.95
A1	—	0.02	0.05
b	0.15	0.20	0.25
c	0.18	0.20	0.25
D	6.90	7.00	7.10
D2	5.10	5.20	5.30
e	0.40BSC		
Nd	5.20BSC		
Ne	5.20BSC		
E	6.90	7.00	7.10
E2	5.10	5.20	5.30
K	0.20	—	—
L	0.35	0.40	0.45
h	0.30	0.35	0.40
外形尺寸 (mil)	217*217		

Figure 12: Package Drawings and Dimensions