

Description

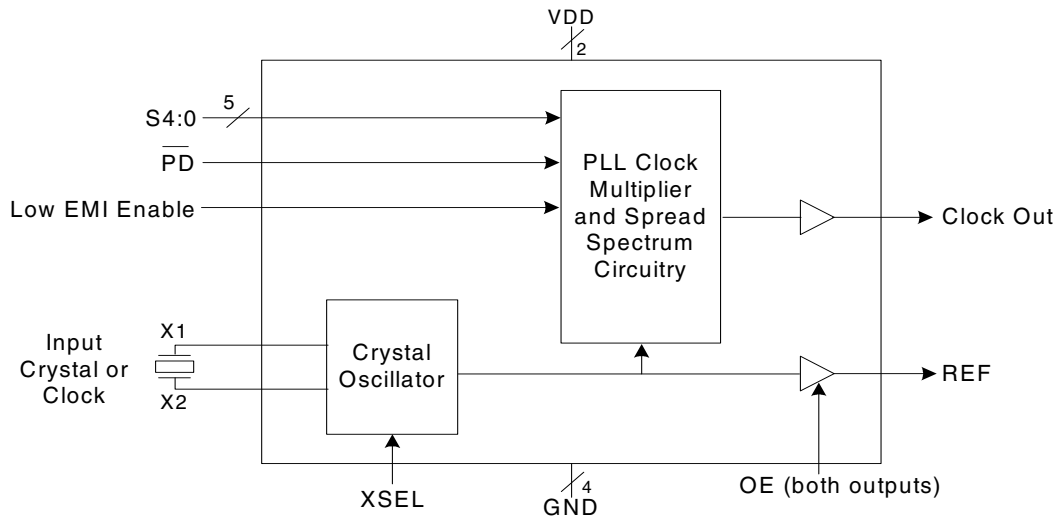
The MK1714-01 is a low cost, high performance clock synthesizer with selectable multipliers and percentages of spread spectrum designed to generate high frequency clocks with low EMI. Using analog/digital Phase Locked Loop (PLL) techniques, the device accepts an inexpensive, fundamental mode, parallel resonant crystal or clock input to produce a spread or dithered output. This reduces the EMI amplitude peaks at the odd harmonics by several dB. The OE pin places both outputs into a high impedance state for board level testing. The $\overline{\text{PD}}$ pin powers down the entire chip and the outputs are held low.

See the MK1714-02 for other selections on input ranges and spreads.

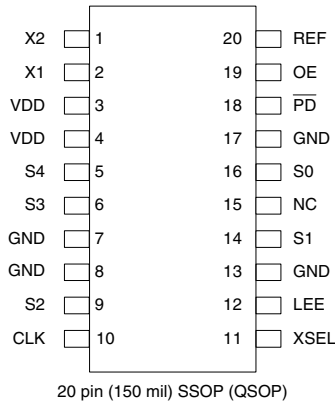
Features

- Packaged in 20 pin tiny SSOP
- Operating voltage of 3.3V or 5V
- Multiplier modes of x1, x2, x3, x4, x5, and x6
- Inexpensive 10 - 25 MHz crystal or clock input
- OE pin tri-states the outputs for board testing
- Power down pin stops the outputs low
- Selectable frequency spread
- Spread can be turned on or off
- Advanced, low power CMOS process
- Duty cycle of 40/60
- Industrial temperature range available
- Available in Pb (lead) free package
- Input frequency of 5 - 140 MHz (depending on mode)
- Output frequency of 20 - 150 MHz (depending on mode)

Block Diagram



Pin Assignment



Pin Descriptions

| Pin Number | Pin Name | Pin Type | Pin Description |
|------------|-----------------|----------|--|
| 1 | X2 | XO | Crystal connection. Connect to parallel mode crystal. Leave open for clock. |
| 2 | X1 | XI | Crystal connection. Connect to parallel mode crystal or clock. |
| 3 | VDD | Power | Connect to VDD. Must be same value as other VDD. |
| 4 | VDD | Power | Connect to VDD. Must be same value as other VDD. |
| 5 | S4 | Input | Select pin 4. Determines multiplier and spread amount per table on following page. Internal pull-down. |
| 6 | S3 | Input | Select pin 3. Determines multiplier and spread amount per table on following page. Internal pull-up. |
| 7 | GND | Power | Connect to ground. |
| 8 | GND | Power | Connect to ground. |
| 9 | S2 | Input | Select pin 2. Determines multiplier and spread amount per table on following page. Internal pull-up. |
| 10 | CLK | Output | Clock output dependent on input, multiplier, and spread amount per table on following page. |
| 11 | XSEL | Input | Connect to VDD for crystal input, or GND for CLK input. Internal pull-down. |
| 12 | LEE | Input | Low EMI Enable. Turns on spread spectrum on CLK when high. Internal pull-up. |
| 13 | GND | Power | Connect to ground. |
| 14 | S1 | Input | Select pin 1. Determines multiplier and spread amount per table on following page. Internal pull-up. |
| 15 | NC | - | No connect. Do not connect anything to this pin. |
| 16 | S0 | Input | Select pin 0. Determines multiplier and spread amount per table on following page. Internal pull-up. |
| 17 | GND | Power | Connect to ground. |
| 18 | \overline{PD} | Input | Power down. Turns off chip when low. Outputs stop low. Leave open or connected to VDD if power down is not required. |
| 19 | OE | Input | Output enable. Tri-states all outputs when low. Internal pull-up. |
| 20 | REF | Output | Reference clock output from crystal oscillator. This clock is not spread. |

Note: When changing the input frequency, the LEE pin must be set low for minimum of 10 μ s to allow the PLL to lock to the new frequency. Alternatively, the \overline{PD} pin may be set low while changing frequencies.

Clock Output Select Table (MHz)

| S4 | S3 | S2 | S1 | S0 | Input Range | Multiplier | Output Range | Direction | Amount (%) |
|----|----|----|----|----|-------------|------------|--------------|-----------|--------------|
| 0 | 0 | 0 | 0 | 0 | 40 - 140 | x1 | 40 - 140 | C | ±1.25 |
| 0 | 0 | 0 | 0 | 1 | 60 - 140 | x1 | 60 - 140 | C | ±0.5 |
| 0 | 0 | 0 | 1 | 0 | - | test | - | - | - |
| 0 | 0 | 0 | 1 | 1 | 40 - 100 | x1 | 40 - 80 | C | ±1 |
| 0 | 0 | 1 | 0 | 0 | 10 - 25 | x2 | 20 - 50 | C | ±1 |
| 0 | 0 | 1 | 0 | 1 | 20 - 50 | x2 | 40 - 80 | C | ±0.5 |
| 0 | 0 | 1 | 1 | 0 | 10 - 30 | x2 | 20 - 60 | DC | +0.25, -1.25 |
| 0 | 0 | 1 | 1 | 1 | 30 - 40 | x2 | 60 - 80 | DC | +0.5, -1 |
| 0 | 1 | 0 | 0 | 0 | 10 - 50 | x3 | 30 - 150 | C | ±1 |
| 0 | 1 | 0 | 0 | 1 | 15 - 35 | x4 | 60 - 140 | C | ±0.5 |
| 0 | 1 | 0 | 1 | 0 | 40 - 60 | x1 | 40 - 60 | DC | +0.5, -1.5 |
| 0 | 1 | 0 | 1 | 1 | 60 - 120 | x1 | 60 - 120 | D | -1 |
| 0 | 1 | 1 | 0 | 0 | 60 - 140 | x1 | 60 - 140 | DC | +0.5, -1.5 |
| 0 | 1 | 1 | 0 | 1 | 60 - 120 | x1 | 60 - 120 | DC | +0.5, -1.5 |
| 0 | 1 | 1 | 1 | 0 | 30 - 60 | x1 | 30 - 60 | D | -2.5 |
| 0 | 1 | 1 | 1 | 1 | 40 - 100 | x1 | 40 - 100 | DC | +0.5, -1.5 |
| 1 | 0 | 0 | 0 | 0 | 15 - 25 | x4 | 60 - 100 | D | -1 |
| 1 | 0 | 0 | 0 | 1 | 10 - 13.33 | x3 | 30 - 40 | D | -1.5 |
| 1 | 0 | 0 | 1 | 0 | 30 - 100 | x1 | 30 - 100 | C | ±0.5 |
| 1 | 0 | 0 | 1 | 1 | 30 - 80 | x1 | 30 - 80 | DC | +0.25, -1.25 |
| 1 | 0 | 1 | 0 | 0 | - | test | - | - | - |
| 1 | 0 | 1 | 0 | 1 | 5 - 20 | x4 | 20 - 80 | DC | +0.5, -3 |
| 1 | 0 | 1 | 1 | 0 | - | test | - | - | - |
| 1 | 0 | 1 | 1 | 1 | 10 - 17 | x8 | 80 - 136 | DC | +0.5, -1 |
| 1 | 1 | 0 | 0 | 0 | 10 - 25 | x4 | 40 - 100 | C | ±1 |
| 1 | 1 | 0 | 0 | 1 | 8 - 20 | x5 | 40 - 100 | C | ±1 |
| 1 | 1 | 0 | 1 | 0 | 10 - 20 | x6 | 60 - 120 | C | ±1 |
| 1 | 1 | 0 | 1 | 1 | 10 - 15 | x8 | 80 - 120 | C | ±1 |
| 1 | 1 | 1 | 0 | 0 | 10 - 20 | x4 | 40 - 80 | DC | +0.25, -1.25 |
| 1 | 1 | 1 | 0 | 1 | 8 - 16 | x5 | 40 - 80 | DC | +0.5, -1.5 |
| 1 | 1 | 1 | 1 | 0 | 8 - 23 | x6 | 48 - 138 | DC | +0.5, -2 |
| 1 | 1 | 1 | 1 | 1 | 8 - 16 | x8 | 64 - 128 | DC | +0.5, -1.5 |

For S4:S0, 0 = connect to GND, 1 = connect to VDD.

Direction: C = center spread, D = down spread, DC = down + center spread. Amount = spread amount. For example, for a 40 MHz output clock spread down 1%, the lowest frequency is 39.60 MHz.

Contact IDT (www.idt.com/go/clockhelp) with your exact output frequency for details on spread direction and amount.

External Components

The MK1714-01 requires a minimum number of external components for proper operation.

Decoupling Capacitor

A decoupling capacitor of 0.01 μ F must be connected between VDD and GND, as close to these pins as possible. For optimum device performance, the decoupling capacitor should be mounted on the component side of the PCB. Avoid the use of vias in the decoupling circuit.

Series Termination Resistor

When the PCB trace between the clock outputs and the loads are over 1 inch, series termination should be used. To series terminate a 50 Ω trace (a commonly used trace impedance) place a 33 Ω resistor in series with the clock line, as close to the clock output pin as possible. The nominal impedance of the clock output is 20 Ω .

Crystal Tuning Load Capacitors

Crystal Load Capacitors

The device crystal connections should include pads for small capacitors from X1 to ground and from X2 to ground. These capacitors are used to adjust the stray capacitance of the board to match the nominally required crystal load capacitance. Because load capacitance can only be increased in this trimming process, it is important to keep stray capacitance to a minimum by using very short PCB traces (and no vias) between the crystal and device. Crystal capacitors must be connected from each of the pins X1 and X2 to ground.

The value (in pF) of these crystal caps should equal $(C_L - 6) * 2$. In this equation, C_L = crystal load capacitance in pF. Example: For a crystal with a 16 pF load capacitance, each crystal capacitor would be

$$[16 - 6] * 2 = 20\text{pF.}$$

If the output frequency is not critical, external load capacitors are not necessary.

PCB Layout Recommendations

For optimum device performance and lowest output phase noise, the following guidelines should be observed.

1) The 0.01 μ F decoupling capacitor should be mounted on the component side of the board as close to the VDD pin as possible. No vias should be used between decoupling capacitor and VDD pin. The PCB trace to VDD pin should be kept as short as possible, as should the PCB trace to the ground via. Distance of the ferrite bead and bulk decoupling from the device is less critical.

2) The external crystal should be mounted just next to the device with short traces. The X1 and X2 traces should not be routed next to each other with minimum spaces, instead they should be separated and away from other traces.

3) To minimize EMI the 33 Ω series termination resistor, if needed, should be placed close to the clock output.

4) An optimum layout is one with all components on the same side of the board, minimizing vias through other signal layers (the ferrite bead and bulk decoupling capacitor can be mounted on the back). Other signal traces should be routed away from the MK1714-01. This includes signal traces just underneath the device, or on layers adjacent to the ground plane layer used by the device.

Powerup Considerations

To insure proper operation of the spread spectrum generation circuit, some precautions must be taken in the implementation of the MK1714-01.

1) An input signal should not be applied to X1 until VDD is stable (within 10% of its final value). This requirement can be easily met by operating the MK1714-01 and the X1 source from the same power supply. This requirement is not applicable if a crystal is used.

2) LEE should not be enabled (taken high) until after the power supplies and input clock are stable. This requirement can be met by direct control of LEE by system logic; for example, a "power good" signal. Another solution is to leave LEE unconnected but place a 0.01 μ F capacitor to ground. The pull-up resistor on LEE will charge the capacitor and provide approximately a 700 μ s delay until spread spectrum is enabled.

3) If the input frequency is changed during operation, disable spread spectrum until the input clock stabilizes at the new frequency.

Absolute Maximum Ratings

Stresses above the ratings listed below can cause permanent damage to the MK1714-01. These ratings, which are standard values for IDT commercially rated parts, are stress ratings only. Functional operation of the device at these or any other conditions above those indicated in the operational sections of the specifications is not implied. Exposure to absolute maximum rating conditions for extended periods can affect product reliability. Electrical parameters are guaranteed only over the recommended operating temperature range.

| Item | Rating |
|-------------------------------|-------------------|
| Supply Voltage, VDD | -0.5 to 7V |
| All Inputs and Outputs | -0.5V to VDD+0.5V |
| Ambient Operating Temperature | -40 to +85° C |
| Storage Temperature | -65 to +150° C |
| Junction Temperature | 175° C |
| Soldering Temperature | 260° C |

Recommended Operation Conditions

| Parameter | Min. | Typ. | Max. | Units |
|---|------|------|------|-------|
| Ambient Operating Temperature | -40 | | +85 | °C |
| Power Supply Voltage (measured in respect to GND) | +3.0 | | +5.5 | V |

DC Electrical Characteristics

Unless stated otherwise, VDD = 3.3V or 5V, Ambient Temperature -40 to +85° C

| Parameter | Symbol | Conditions | Min. | Typ. | Max. | Units |
|-----------------------------------|-----------------|------------------------------------|---------|------|------|-------|
| Operating Voltage | VDD | | 3.0 | | 5.5 | V |
| Supply Current | IDD | No load, at 3.3V | | 26 | | mA |
| | IDD | No load, at 5V | | 40 | | mA |
| Input High Voltage | V _{IH} | Select inputs, OE, \overline{PD} | 2 | | | V |
| Input Low Voltage | V _{IL} | Select inputs, OE, \overline{PD} | | | 0.8 | V |
| Output High Voltage | V _{OH} | I _{OH} = -8 mA | VDD-0.4 | | | V |
| Output Low Voltage | V _{OL} | I _{OL} = 8mA | | | 0.4 | V |
| Short Circuit Current | I _{OS} | Each output | | ±50 | | mA |
| On Chip Pull-up Resistor, inputs | R _{PU} | Except X1, S4 | | 500 | | kΩ |
| On-Chip Pull-down Resistor, input | R _{PD} | S4 pin only | | 500 | | kΩ |
| Input Capacitance | | Except X1, X2 | | 7 | | pF |

AC Electrical Characteristics

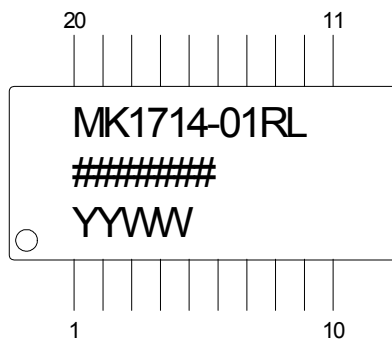
Unless stated otherwise, VDD = 3.3V or 5V, Ambient Temperature -40 to +85°C

| Parameter | Symbol | Conditions | Min. | Typ. | Max. | Units |
|----------------------------------|----------|-------------|------|------|------|-------|
| Input Crystal Frequency | | | 10 | | 25 | MHz |
| Input Clock Frequency | | | 10 | | 150 | MHz |
| Output Rise Time | t_{OR} | 0.8 to 2.0V | | | 1.5 | ns |
| Output Fall Time | t_{OF} | 2.0 to 0.8V | | | 1.5 | ns |
| One Sigma Jitter | | CLK | | 40 | | ps |
| Absolute Jitter | | CLK | | ±150 | | |
| Output Clock Duty Cycle | | at VDD/2 | 40 | 50 | 60 | % |
| Output Frequency | | | 2 | | 200 | MHz |
| Output Frequency Synthesis Error | | | | 1 | | ppm |

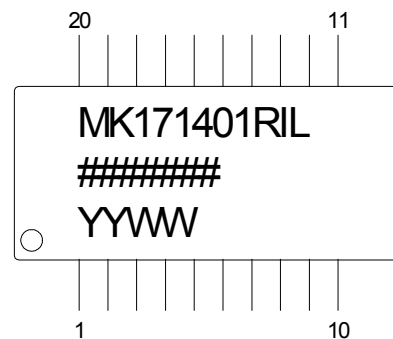
Thermal Characteristics

| Parameter | Symbol | Conditions | Min. | Typ. | Max. | Units |
|--|---------------|----------------|------|------|------|-------|
| Thermal Resistance Junction to Ambient | θ_{JA} | Still air | | 135 | | °C/W |
| | θ_{JA} | 1 m/s air flow | | 93 | | °C/W |
| | θ_{JA} | 3 m/s air flow | | 78 | | °C/W |
| Thermal Resistance Junction to Case | θ_{JC} | | | 60 | | °C/W |

Marking Diagram (MK1714-01RLF)



Marking Diagram (MK1714-01RILF)



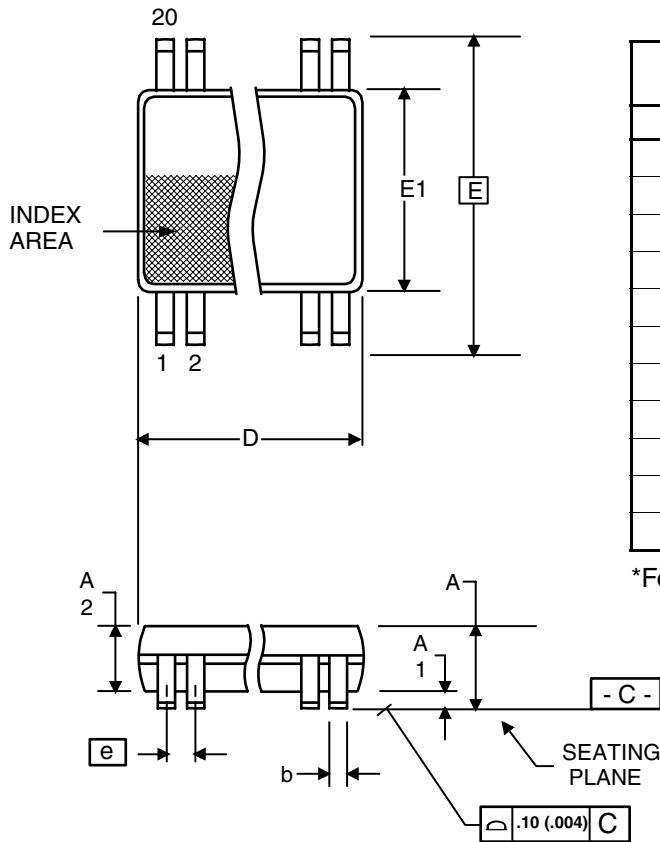
Notes:

1. ##### is the lot code.
2. YYWW is the last two digits of the year, and the week number that the part was assembled.
3. "I" designates industrial temperature range.
4. "L" designates Pb (lead) free package.

5. Bottom marking: (origin). Origin = country of origin of not USA.

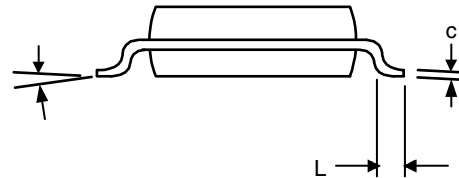
Package Outline and Package Dimensions (20-pin SSOP, 150 Mil. Body)

Package dimensions are kept current with JEDEC Publication No. 95



| Symbol | Millimeters | | Inches* | |
|----------|-------------|------|-------------|-------|
| | Min | Max | Min | Max |
| A | 1.35 | 1.75 | .053 | .069 |
| A1 | 0.10 | 0.25 | .0040 | .010 |
| A2 | -- | 1.50 | -- | .059 |
| b | 0.20 | 0.30 | 0.008 | 0.012 |
| C | 0.18 | 0.25 | .007 | .010 |
| D | 8.55 | 8.75 | .337 | .344 |
| E | 5.80 | 6.20 | .228 | .244 |
| E1 | 3.80 | 4.00 | .150 | .157 |
| e | 0.635 Basic | | 0.025 Basic | |
| L | 0.40 | 1.27 | .016 | .050 |
| α | 0° | 8° | 0° | 8° |

*For reference only. Controlling dimensions in mm.



Ordering Information

| Part / Order Number | Marking | Shipping Packaging | Package | Temperature |
|---------------------|------------|--------------------|-------------|---------------|
| MK1714-01RLF | see page 7 | Tubes | 20-pin SSOP | 0 to +70° C |
| MK1714-01RLFTR | | Tape and Reel | 20-pin SSOP | 0 to +70° C |
| MK1714-01RILF | | Tubes | 20-pin SSOP | -40 to 85 ° C |
| MK1714-01RILFTR | | Tape and Reel | 20-pin SSOP | -40 to 85 ° C |

"LF" suffix to the part number are the Pb-Free configuration and are RoHS compliant.

While the information presented herein has been checked for both accuracy and reliability, Integrated Device Technology (IDT) assumes no responsibility for either its use or for the infringement of any patents or other rights of third parties, which would result from its use. No other circuits, patents, or licenses are implied. This product is intended for use in normal commercial applications. Any other applications such as those requiring extended temperature range, high reliability, or other extraordinary environmental requirements are not recommended without additional processing by IDT. IDT reserves the right to change any circuitry or specifications without notice. IDT does not authorize or warrant any IDT product for use in life support devices or critical medical instruments.

IMPORTANT NOTICE AND DISCLAIMER

RENESAS ELECTRONICS CORPORATION AND ITS SUBSIDIARIES (“RENESAS”) PROVIDES TECHNICAL SPECIFICATIONS AND RELIABILITY DATA (INCLUDING DATASHEETS), DESIGN RESOURCES (INCLUDING REFERENCE DESIGNS), APPLICATION OR OTHER DESIGN ADVICE, WEB TOOLS, SAFETY INFORMATION, AND OTHER RESOURCES “AS IS” AND WITH ALL FAULTS, AND DISCLAIMS ALL WARRANTIES, EXPRESS OR IMPLIED, INCLUDING, WITHOUT LIMITATION, ANY IMPLIED WARRANTIES OF MERCHANTABILITY, FITNESS FOR A PARTICULAR PURPOSE, OR NON-INFRINGEMENT OF THIRD-PARTY INTELLECTUAL PROPERTY RIGHTS.

These resources are intended for developers who are designing with Renesas products. You are solely responsible for (1) selecting the appropriate products for your application, (2) designing, validating, and testing your application, and (3) ensuring your application meets applicable standards, and any other safety, security, or other requirements. These resources are subject to change without notice. Renesas grants you permission to use these resources only to develop an application that uses Renesas products. Other reproduction or use of these resources is strictly prohibited. No license is granted to any other Renesas intellectual property or to any third-party intellectual property. Renesas disclaims responsibility for, and you will fully indemnify Renesas and its representatives against, any claims, damages, costs, losses, or liabilities arising from your use of these resources. Renesas' products are provided only subject to Renesas' Terms and Conditions of Sale or other applicable terms agreed to in writing. No use of any Renesas resources expands or otherwise alters any applicable warranties or warranty disclaimers for these products.

(Disclaimer Rev.1.01 Jan 2024)

Corporate Headquarters

TOYOSU FORESIA, 3-2-24 Toyosu,
Koto-ku, Tokyo 135-0061, Japan
www.renesas.com

Trademarks

Renesas and the Renesas logo are trademarks of Renesas Electronics Corporation. All trademarks and registered trademarks are the property of their respective owners.

Contact Information

For further information on a product, technology, the most up-to-date version of a document, or your nearest sales office, please visit www.renesas.com/contact-us/.