

To our customers,

Old Company Name in Catalogs and Other Documents

On April 1st, 2010, NEC Electronics Corporation merged with Renesas Technology Corporation, and Renesas Electronics Corporation took over all the business of both companies. Therefore, although the old company name remains in this document, it is a valid Renesas Electronics document. We appreciate your understanding.

Renesas Electronics website: <http://www.renesas.com>

April 1st, 2010
Renesas Electronics Corporation

Issued by: Renesas Electronics Corporation (<http://www.renesas.com>)

Send any inquiries to <http://www.renesas.com/inquiry>.

Notice

1. All information included in this document is current as of the date this document is issued. Such information, however, is subject to change without any prior notice. Before purchasing or using any Renesas Electronics products listed herein, please confirm the latest product information with a Renesas Electronics sales office. Also, please pay regular and careful attention to additional and different information to be disclosed by Renesas Electronics such as that disclosed through our website.
2. Renesas Electronics does not assume any liability for infringement of patents, copyrights, or other intellectual property rights of third parties by or arising from the use of Renesas Electronics products or technical information described in this document. No license, express, implied or otherwise, is granted hereby under any patents, copyrights or other intellectual property rights of Renesas Electronics or others.
3. You should not alter, modify, copy, or otherwise misappropriate any Renesas Electronics product, whether in whole or in part.
4. Descriptions of circuits, software and other related information in this document are provided only to illustrate the operation of semiconductor products and application examples. You are fully responsible for the incorporation of these circuits, software, and information in the design of your equipment. Renesas Electronics assumes no responsibility for any losses incurred by you or third parties arising from the use of these circuits, software, or information.
5. When exporting the products or technology described in this document, you should comply with the applicable export control laws and regulations and follow the procedures required by such laws and regulations. You should not use Renesas Electronics products or the technology described in this document for any purpose relating to military applications or use by the military, including but not limited to the development of weapons of mass destruction. Renesas Electronics products and technology may not be used for or incorporated into any products or systems whose manufacture, use, or sale is prohibited under any applicable domestic or foreign laws or regulations.
6. Renesas Electronics has used reasonable care in preparing the information included in this document, but Renesas Electronics does not warrant that such information is error free. Renesas Electronics assumes no liability whatsoever for any damages incurred by you resulting from errors in or omissions from the information included herein.
7. Renesas Electronics products are classified according to the following three quality grades: “Standard”, “High Quality”, and “Specific”. The recommended applications for each Renesas Electronics product depends on the product’s quality grade, as indicated below. You must check the quality grade of each Renesas Electronics product before using it in a particular application. You may not use any Renesas Electronics product for any application categorized as “Specific” without the prior written consent of Renesas Electronics. Further, you may not use any Renesas Electronics product for any application for which it is not intended without the prior written consent of Renesas Electronics. Renesas Electronics shall not be in any way liable for any damages or losses incurred by you or third parties arising from the use of any Renesas Electronics product for an application categorized as “Specific” or for which the product is not intended where you have failed to obtain the prior written consent of Renesas Electronics. The quality grade of each Renesas Electronics product is “Standard” unless otherwise expressly specified in a Renesas Electronics data sheets or data books, etc.
 - “Standard”: Computers; office equipment; communications equipment; test and measurement equipment; audio and visual equipment; home electronic appliances; machine tools; personal electronic equipment; and industrial robots.
 - “High Quality”: Transportation equipment (automobiles, trains, ships, etc.); traffic control systems; anti-disaster systems; anti-crime systems; safety equipment; and medical equipment not specifically designed for life support.
 - “Specific”: Aircraft; aerospace equipment; submersible repeaters; nuclear reactor control systems; medical equipment or systems for life support (e.g. artificial life support devices or systems), surgical implantations, or healthcare intervention (e.g. excision, etc.), and any other applications or purposes that pose a direct threat to human life.
8. You should use the Renesas Electronics products described in this document within the range specified by Renesas Electronics, especially with respect to the maximum rating, operating supply voltage range, movement power voltage range, heat radiation characteristics, installation and other product characteristics. Renesas Electronics shall have no liability for malfunctions or damages arising out of the use of Renesas Electronics products beyond such specified ranges.
9. Although Renesas Electronics endeavors to improve the quality and reliability of its products, semiconductor products have specific characteristics such as the occurrence of failure at a certain rate and malfunctions under certain use conditions. Further, Renesas Electronics products are not subject to radiation resistance design. Please be sure to implement safety measures to guard them against the possibility of physical injury, and injury or damage caused by fire in the event of the failure of a Renesas Electronics product, such as safety design for hardware and software including but not limited to redundancy, fire control and malfunction prevention, appropriate treatment for aging degradation or any other appropriate measures. Because the evaluation of microcomputer software alone is very difficult, please evaluate the safety of the final products or system manufactured by you.
10. Please contact a Renesas Electronics sales office for details as to environmental matters such as the environmental compatibility of each Renesas Electronics product. Please use Renesas Electronics products in compliance with all applicable laws and regulations that regulate the inclusion or use of controlled substances, including without limitation, the EU RoHS Directive. Renesas Electronics assumes no liability for damages or losses occurring as a result of your noncompliance with applicable laws and regulations.
11. This document may not be reproduced or duplicated, in any form, in whole or in part, without prior written consent of Renesas Electronics.
12. Please contact a Renesas Electronics sales office if you have any questions regarding the information contained in this document or Renesas Electronics products, or if you have any other inquiries.

(Note 1) “Renesas Electronics” as used in this document means Renesas Electronics Corporation and also includes its majority-owned subsidiaries.

(Note 2) “Renesas Electronics product(s)” means any product developed or manufactured by or for Renesas Electronics.

M54687FP

Bi-Directional Motor Driver with Governor

REJ03F0048-0100Z

Rev.1.0

Sep.19.2003

Description

The M54687FP is a semiconductor integrated circuit that is capable of directly controlling the rotating direction and rotating speed of a smallsize bi-directional motor rotating in both forward and reverse directions.

Features

- Capable of controlling the speed in forward and reverse rotating directions
- Capable of controlling the speed in high speed mode
- Large output current drive ($I_{O(max)} = 700mA$)
- Built-in clamp diode
- Flat package (16P2N)

Application

Micro-cassette for phone-answering machine, AV equipment, and other general consumption appliances

Function

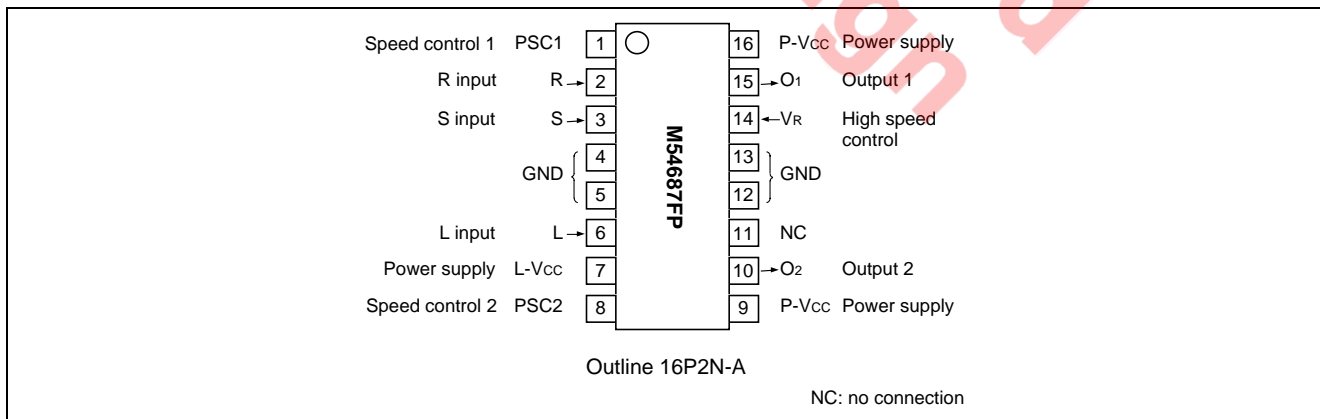
The M54687FP is an IC that can control the forward rotation, reverse rotation and speed of small DC brush motor.

For the basic operation of this IC, output modes are selected, as shown in the logic truth table, by entering appropriate H/L level into the R, L and S inputs.

Two resistances are put between the output pin and the PSC pin and the resistance ratios are appropriately adjusted to perform the speed control.

In addition to the above, speed control can be done by varying the voltage at V_R pin, in the high speed mode.

Pin Configuration



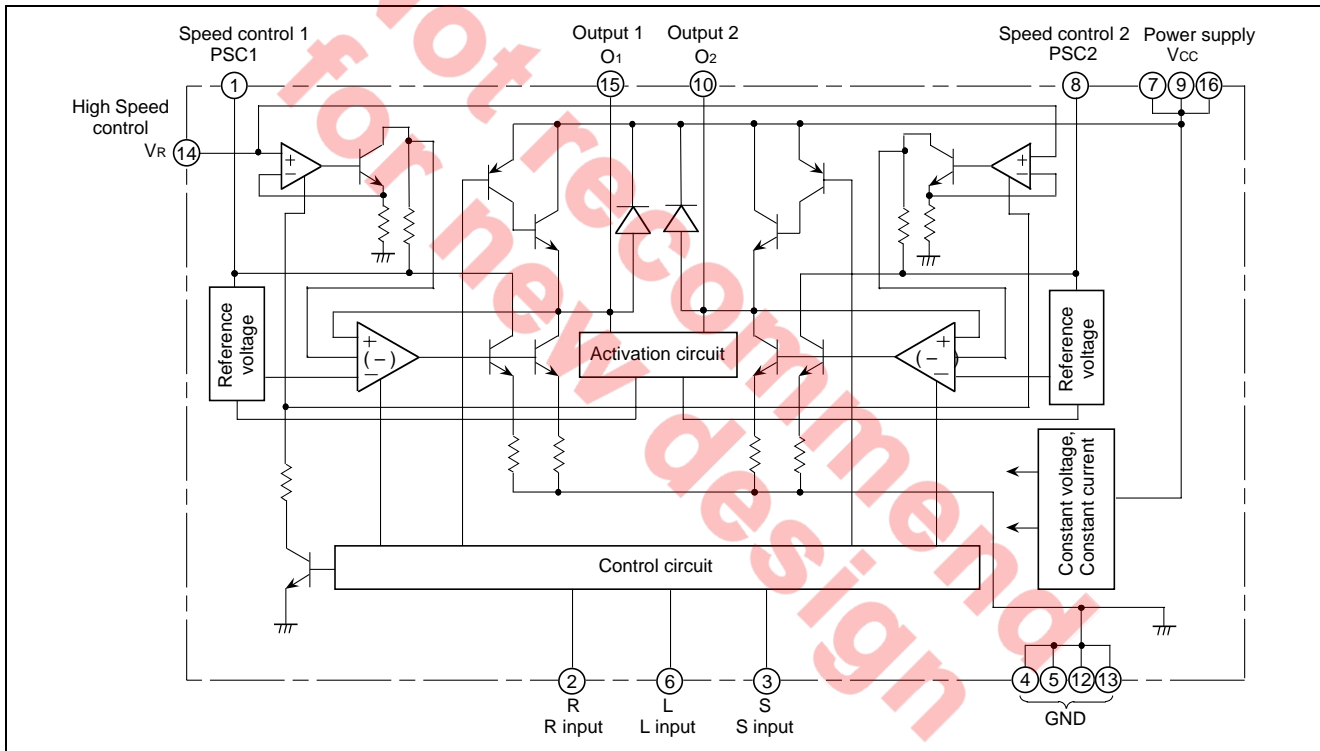
Logic Truth Table

Input			Output			Mode	
R	L	S	O1	O2			
H	H	H	H	FG	FF	Forward rotation high speed governor	
H	L	H	H	G	PLAY	Forward rotation governor	
L	H	H	FG	H	REW	Reverse rotation high speed governor	
L	L	H	G	H	REV	Reverse rotation governor	
H	H	L	L	L	BRAKE	Brake operation	
L	L	L	OFF	OFF	STB	Standby mode output high imp.	
H	L	L	—	—	—	Reserved	
L	H	L	—	—	—		

G: Governor control output mode

FG: Rotating speed controllable with the voltage at VR pin (However, the precision is worse than G.)

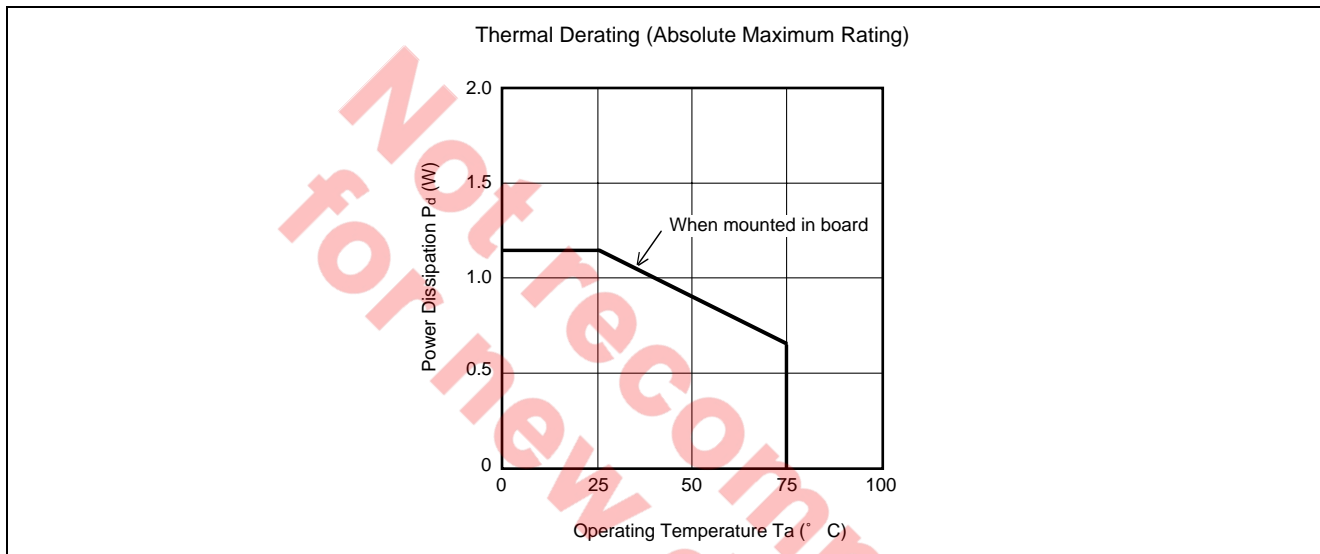
Block Diagram



Absolute Maximum Ratings

(Ta = 25°C unless otherwise noted.)

Parameter	Symbol	Ratings	Unit	Condition
Power supply	VCC	-0.5 – +14	V	
Input voltage	VI	-0.5 – VCC	V	
Output voltage	VO	-0.5 – VCC+2	V	
Allowable motor rush current	IOP	±700	mA	$t_{ON} \leq 100\text{ms}$, duty of 1% or less.
Continuous output current	IO	±200	mA	However, Pd must not exceed the maximum rating.
Power dissipation	Pd	1.14	W	When mounted in board
Operating temperature	Topr	-20 – 75	° C	
Storage temperature	Tstg	-40 – 125	° C	



Recommended Operational Conditions

(Ta = 25°C unless otherwise noted.)

Parameter	Symbol	Limits			Unit
		Min.	Typ.	Max.	
Supply voltage	Vcc	6.0	9.0	13.0	V
"H" input voltage	VIH	2.0		Vcc	V
"L" input voltage	VIL	0		0.4	V
VR control voltage range*	VR	0		Vcc	V

* : IO ≤ 200mA when FF/REW speed is controlled.

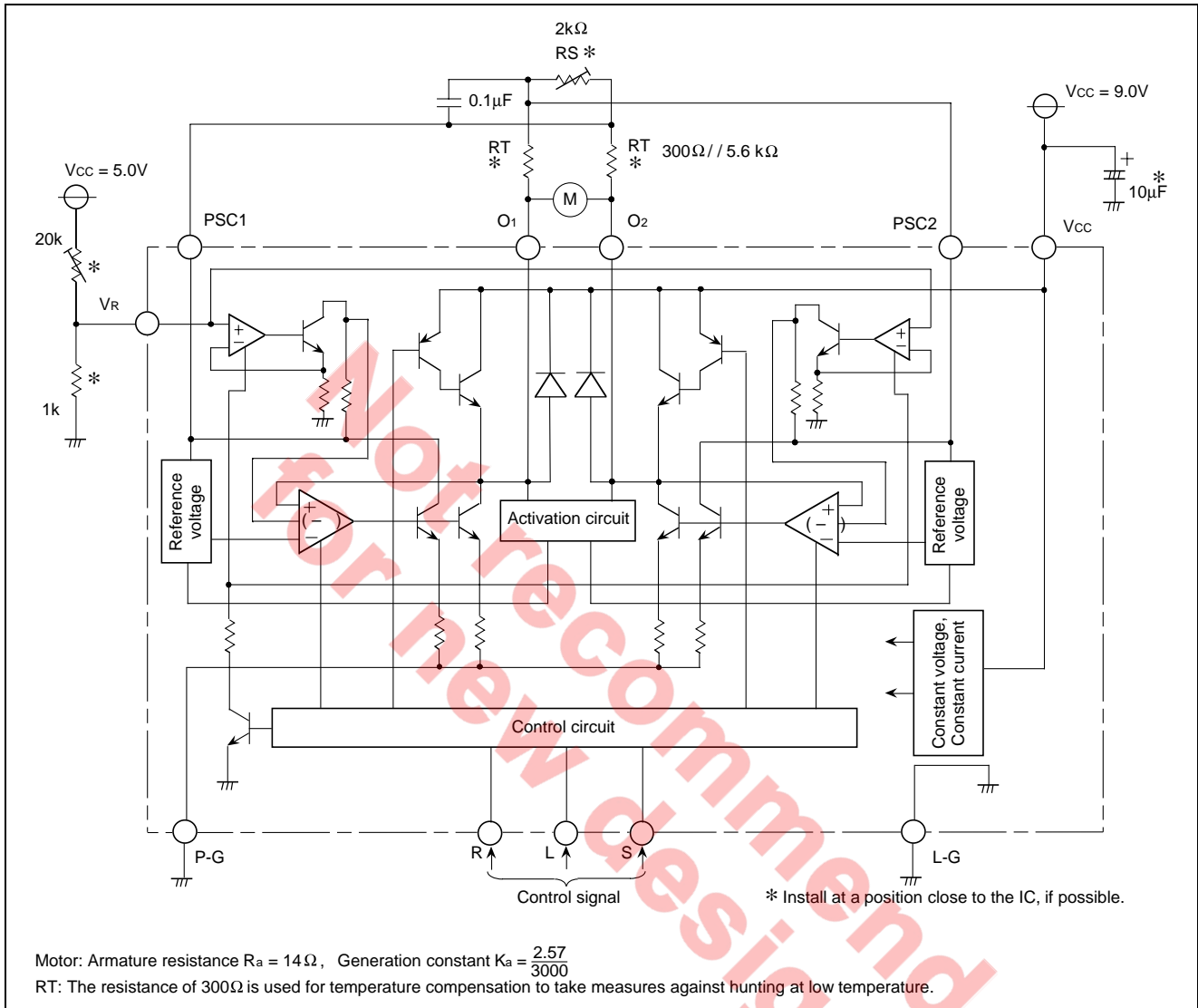
Electrical characteristics

(Ta = 25°C, unless otherwise noted.)

Symbol	Parameter	Test conditions	Limits			Unit	
			Min.	Typ.	Max.		
I _{o(leak)}	Output leak current	V _{CC} = 14V, V _o = 14V Standby mode		0	100	μA	
I _i	Input current	V _i = 5.0V	0	0.4	1.0	mA	
V _{OH}	“H” output voltage	I _o = -200mA, V _R = 5.0V	V _{CC} -1.2	V _{CC} -0.9	–	V	
V _{OL}	“L” output voltage	I _o = 200mA, V _R = 0V, V _{pSC} = 2.5V FF / REW / BRAKE mode	–	0.22	0.5	V	
I _{CC1}	Supply current	FF/REW	Output open	–	5.0	8.0	mA
I _{CC2}		PLAY/REV	Output open	–	5.0	8.0	mA
I _{CC3}		BRAKE	Output open	–	35	48	mA
I _{CC4}		STAND BY		–	0	10.0	μA
V _{ref}	Governor characteristics (I) PLAY/REV mode	Reference voltage		0.95	1.0	1.05	V
I _B		Bias current		0.7	1.2	1.7	mA
K		Current proportional constant	ΔI _o = 40mA	18	20	22	–
$\frac{\Delta V_{ref}}{V_{ref}} / V_{CC}$		Voltage characteristics	V _{ref} V _{CC} = 6.0 – 13V		0.1		%/V
$\frac{\Delta K}{K} / V_{CC}$			K V _{CC} = 6.0 – 13V ΔI _o = 40mA		0.2		%/V
$\frac{\Delta V_{ref}}{V_{ref}} / I_o$		Current characteristics	V _{ref} I _o = 50 – 200mA		0.02		%/mA
$\frac{\Delta K}{K} / I_o$			K I _o = 50 – 200mA		0.01		%/mA
$\frac{\Delta V_{ref}}{V_{ref}} / T_a$		Temperature characteristics	V _{ref} T _a = -20 – 75° C		0.01		%/° C
$\frac{\Delta K}{K} / T_a$			K T _a = -20 – 75° C		0.01		%/° C
V _{ref II}		Governor characteristics (II) FF-REW	Reference voltage	V _R = 0.3V		2.0	V
$\frac{\Delta V_{ref}}{V_{ref}} / V_{CC}$	Voltage characteristics			V _R = 0.3V V _{CC} = 6.0 – 13V		3.0	%/V
$\frac{\Delta V_{ref}}{V_{ref}} / I_o$	Current characteristics			V _R = 0.3V I _o = 50 – 200mA		0.2	%/mA
$\frac{\Delta V_{ref}}{V_{ref}} / T_a$	Temperature characteristics			V _R = 0.3V T _a = -20 – 75° C		0.1	%/° C
I _B	Bias current			V _R = 0.3V	0.7	1.3	1.8
I _R	V _R input current	V _R = 0V	0	-5.0	-20	μA	

Application Example

When the normal speed is set to 2000rpm, and the high speed is set to 3500rpm



Speed Control Method

(1) Speed Control Method I (See the application circuit drawing.)

For PLAY/REV

Rotation number can be expressed by the following formula:

$$N = \frac{1}{K_a} \{ I_B \cdot R_T + V_{ref} (1 + \frac{R_T}{R_T + R_S}) + I_a (\frac{R_T}{K} - R_a) \} \quad (4)$$

Where:

Motor generation constant: K_a , Motor armature resistance: R_a , Rotation number: N

K : Current proportional constant, I_B : PSC pin bias current,

I_a : motor current

R_T , R_S : External resistance

In addition, to set the rotation number with R_S , external resistance R_T is generally set as follows:

$$R_T \leq K \times R_a$$

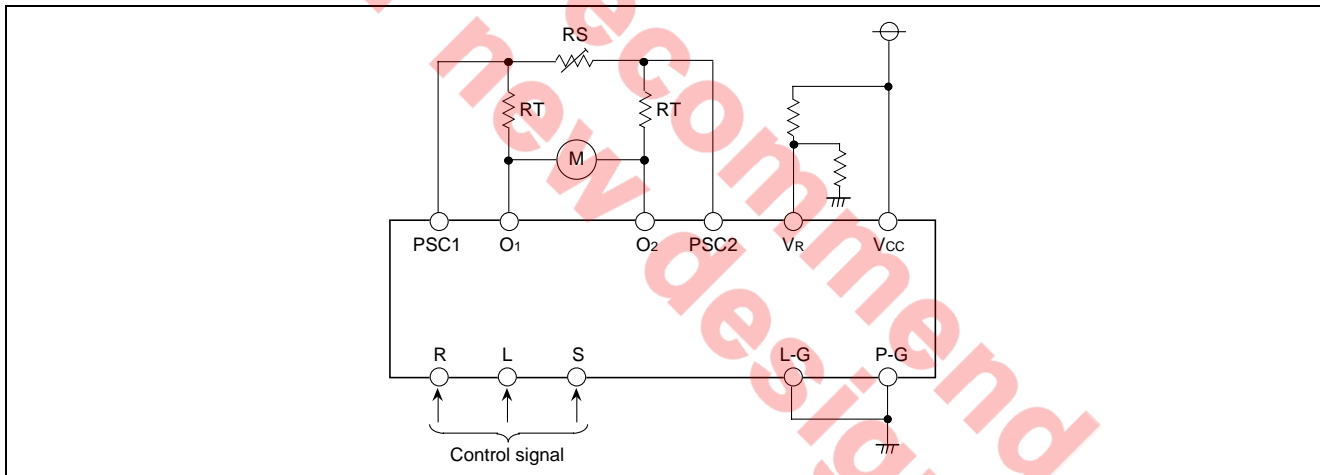
For FF/REW

Note that the rotation number is basically controlled with the same expression as formula (1) but different reference voltage

V_{ref} and different bias current I_B are to be used.

However, $V_{ref} = 5V_R + 0.5$

(2) Speed Control Method II (to increase the motor rotation number)



In the external circuit above, the voltage across motors is almost determined by the ratio of ' $R_S + R_T$ ' to ' R_T ' and, therefore, a value set for the voltage across motors is not so large.

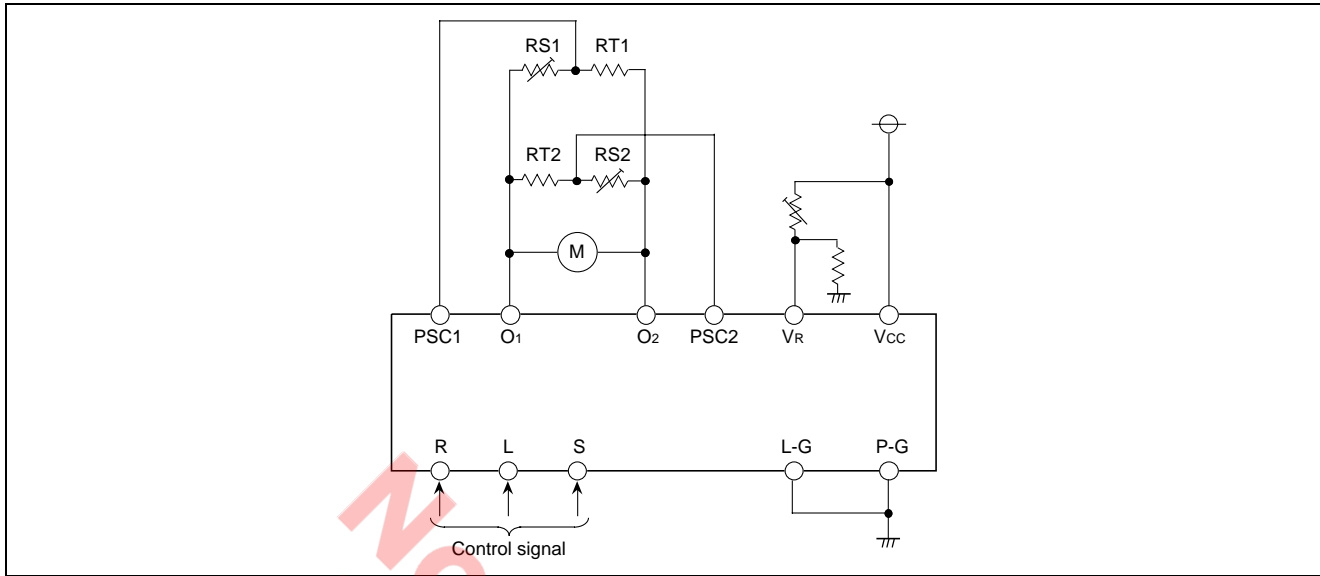
As method (1) of speed control I, the rotation number can be controlled.

However, the following relations must be satisfied:

$$R_T \rightarrow R_T + R_S$$

$$R_S + R_T \rightarrow R_T$$

(3) Speed Control Method III (to increase the precision of forward rotation and reverse rotation)



The above two applications cannot make fine adjustments in forward rotation and reverse rotation (because the external resistance is shared with the forward rotation and reverse rotation).

Fine adjustments can be made for each of forward rotation and reverse rotation if the external circuit is set as shown in the drawing above.

This external circuit is also available to change the speed of forward and reverse rotation.

The control method adopts the same formula as formula (1).

However, the following relations must be satisfied:

$$RT+RS \rightarrow RS1 \text{ or } RS2$$

$$RT \rightarrow RT1 \text{ or } RT2$$

CAUTIONS

- (1) Oscillation may take place with the setting of $RT > K \cdot Ra$. Set $R \leq K \cdot Ra$.
- (2) Add a capacitor of $0.1 \mu\text{F}$ to the portion between PSCs to reduce brush noise of the motor.
- (3) Add a capacitor of $10 \mu\text{F}$ to the portion between v_{cc} and GND to reduce brush noise and back electromotive noise of the motor.
- (4) At a low temperature, $RT > K \cdot Ra$ is set due to temperature characteristics of resistance R_a of the motor. When oscillation takes place, use resistance with a temperature coefficient for RT .
- (5) When the supply voltage is low, note that saturation of the output transistor of the IC may prevent the rotating speed for control. Taking into account motor noise etc., set constants in the following range.

$$2.0V \leq V_{cc} - (EC + I_a \cdot Ra) \\ = V_{cc} - \left\{ RT \cdot I_B + V_{ref} \left(1 + \frac{RT}{RS} \right) + \frac{RT}{K} \cdot I_a \right\}$$

When the back electromotive force is large with the brakes applied, for example, malfunction may occur in internal parasitic D_i . If flyback current of 1A or more flows, add Schottky D_i to the portion between the output and the GND.

When the IC is used at a high speed for PWM etc., note that switching of output results in delay of approx. $10 \mu\text{s}$.

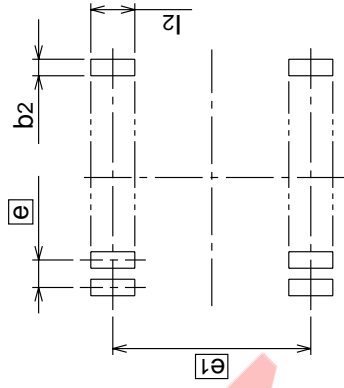
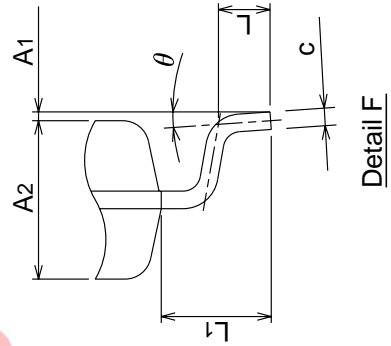
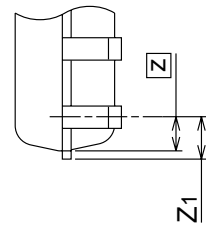
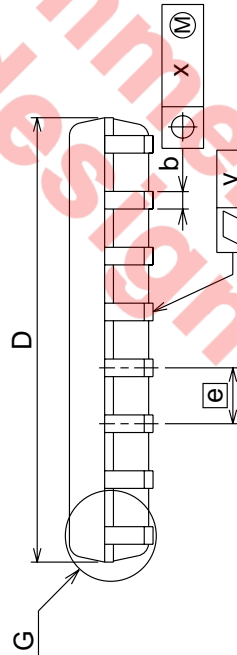
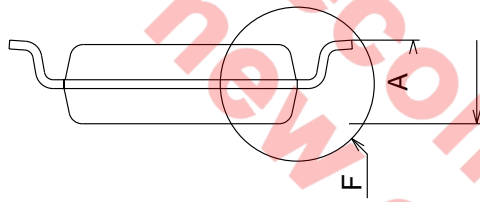
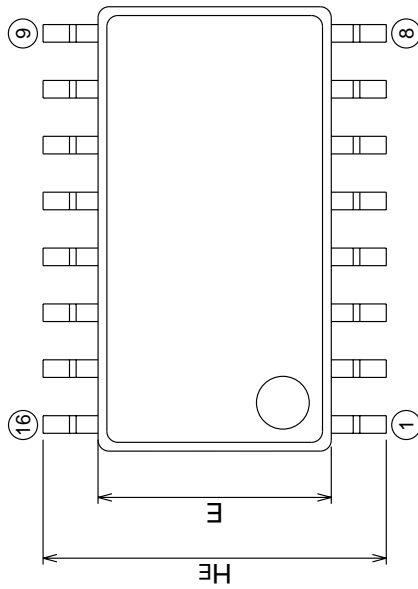
Package Dimensions

16P2N-A

(MMP)

Plastic 16pin 300mil SOP

EIAJ Package Code SOP16-P-300-1.27	JEDEC Code —	Weight(g) 0.2	Lead Material Cu Alloy
---------------------------------------	-----------------	------------------	---------------------------



Recommended Mount Pad

Symbol	Dimension in Millimeters		
	Min	Nom	Max
A	0	0.1	0.2
A1	—	1.8	—
A2	0.35	0.4	0.5
b	0.18	0.2	0.25
c	10.0	10.1	10.2
D	5.2	5.3	5.4
e	—	1.27	—
HE	7.5	7.8	8.1
L	0.4	0.6	0.8
L1	—	1.25	—
Z	—	0.605	—
Z1	—	—	0.755
x	—	—	0.25
y	—	—	0.1
theta	0°	—	8°
b2	—	0.76	—
e1	—	7.62	—
l2	1.27	—	—

Renesas Technology Corp. Sales Strategic Planning Div. Nippon Bldg., 2-6-2, Ohte-machi, Chiyoda-ku, Tokyo 100-0004, Japan

Keep safety first in your circuit designs!

1. Renesas Technology Corp. puts the maximum effort into making semiconductor products better and more reliable, but there is always the possibility that trouble may occur with them. Trouble with semiconductors may lead to personal injury, fire or property damage.
Remember to give due consideration to safety when making your circuit designs, with appropriate measures such as (i) placement of substitutive, auxiliary circuits, (ii) use of nonflammable material or (iii) prevention against any malfunction or mishap.

Notes regarding these materials

1. These materials are intended as a reference to assist our customers in the selection of the Renesas Technology Corp. product best suited to the customer's application; they do not convey any license under any intellectual property rights, or any other rights, belonging to Renesas Technology Corp. or a third party.
 2. Renesas Technology Corp. assumes no responsibility for any damage, or infringement of any third-party's rights, originating in the use of any product data, diagrams, charts, programs, algorithms, or circuit application examples contained in these materials.
 3. All information contained in these materials, including product data, diagrams, charts, programs and algorithms represents information on products at the time of publication of these materials, and are subject to change by Renesas Technology Corp. without notice due to product improvements or other reasons. It is therefore recommended that customers contact Renesas Technology Corp. or an authorized Renesas Technology Corp. product distributor for the latest product information before purchasing a product listed herein.
The information described here may contain technical inaccuracies or typographical errors.
Renesas Technology Corp. assumes no responsibility for any damage, liability, or other loss rising from these inaccuracies or errors.
Please also pay attention to information published by Renesas Technology Corp. by various means, including the Renesas Technology Corp. Semiconductor home page (<http://www.renesas.com>).
 4. When using any or all of the information contained in these materials, including product data, diagrams, charts, programs, and algorithms, please be sure to evaluate all information as a total system before making a final decision on the applicability of the information and products. Renesas Technology Corp. assumes no responsibility for any damage, liability or other loss resulting from the information contained herein.
 5. Renesas Technology Corp. semiconductors are not designed or manufactured for use in a device or system that is used under circumstances in which human life is potentially at stake. Please contact Renesas Technology Corp. or an authorized Renesas Technology Corp. product distributor when considering the use of a product contained herein for any specific purposes, such as apparatus or systems for transportation, vehicular, medical, aerospace, nuclear, or undersea repeater use.
 6. The prior written approval of Renesas Technology Corp. is necessary to reprint or reproduce in whole or in part these materials.
 7. If these products or technologies are subject to the Japanese export control restrictions, they must be exported under a license from the Japanese government and cannot be imported into a country other than the approved destination.
Any diversion or reexport contrary to the export control laws and regulations of Japan and/or the country of destination is prohibited.
 8. Please contact Renesas Technology Corp. for further details on these materials or the products contained therein.
-



RENESAS SALES OFFICES

<http://www.renesas.com>

Renesas Technology America, Inc.
450 Holger Way, San Jose, CA 95134-1368, U.S.A
Tel: <1> (408) 382-7500 Fax: <1> (408) 382-7501

Renesas Technology Europe Limited.
Dukes Meadow, Millboard Road, Bourne End, Buckinghamshire, SL8 5FH, United Kingdom
Tel: <44> (1628) 585 100, Fax: <44> (1628) 585 900

Renesas Technology Europe GmbH
Dornacher Str. 3, D-85622 Feldkirchen, Germany
Tel: <49> (89) 380 70 0, Fax: <49> (89) 929 30 11

Renesas Technology Hong Kong Ltd.
7/F., North Tower, World Finance Centre, Harbour City, Canton Road, Hong Kong
Tel: <852> 2265-6688, Fax: <852> 2375-6836

Renesas Technology Taiwan Co., Ltd.
FL 10, #99, Fu-Hsing N. Rd., Taipei, Taiwan
Tel: <886> (2) 2715-2888, Fax: <886> (2) 2713-2999

Renesas Technology (Shanghai) Co., Ltd.
26/F., Ruijin Building, No.205 Maoming Road (S), Shanghai 200020, China
Tel: <86> (21) 6472-1001, Fax: <86> (21) 6415-2952

Renesas Technology Singapore Pte. Ltd.
1, Harbour Front Avenue, #06-10, Keppel Bay Tower, Singapore 098632
Tel: <65> 6213-0200, Fax: <65> 6278-8001