

ISL96017

128-Tap DCP, 16kbit EEPROM, and I<sup>2</sup>C Serial Interface

FN8243  
 Rev 2.00  
 June 8, 2012

This device integrates a 128-tap digitally controlled potentiometer, 16kbit of EEPROM, and a 2-wire I<sup>2</sup>C serial interface. The device is powered by a single 3.3V supply. The potentiometer is available with total resistance of either 10kΩ or 50kΩ.

The memory is organized in 128 pages of 16 bytes each, to reduce total programming time. All programming signals are generated on-chip.

The potentiometer is implemented with a combination of CMOS switches and resistor elements. The position of the wiper can be stored in non-volatile memory and then be recalled upon a subsequent power-up. The three terminals of the potentiometer are available for use as either a variable resistor or a resistor divider.

**Features**

- Integrated Digitally Controlled Potentiometer
  - 128-Tap Positions
  - 10kΩ, 50kΩ Total Resistance
  - Monotonic Over Temperature
  - Non-Volatile Wiper Position Storage
  - 0 to VDD Terminal Voltage
- I<sup>2</sup>C Serial Interface
- 16kbit EEPROM
  - 50 Years Retention @ ≤ 55°C
  - 1,000,000 Cycles Endurance
- Single 3.3 ±0.3V Supply
- 3mm x 3mm Thin DFN Package – 0.8mm Max Thickness, 0.65mm Pitch
- Pb-Free (RoHS Compliant)

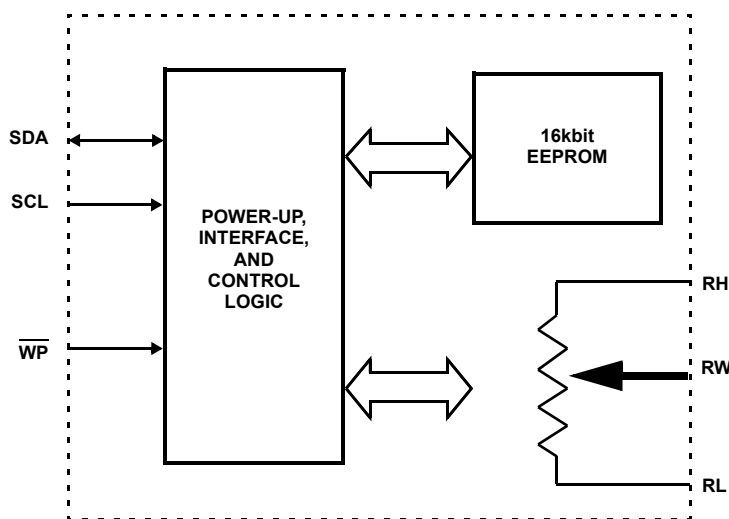
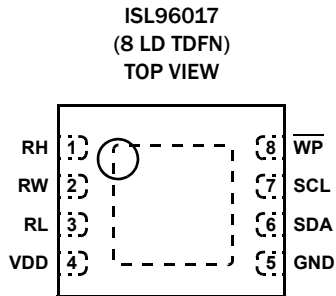


FIGURE 1. BLOCK DIAGRAM

## Pin Configuration



## Pin Descriptions

PIN	SYMBOL	DESCRIPTION
1	RH	“High” terminal of the DCP
2	RW	“Wiper” terminal of the DCP
3	RL	“Low” terminal of the DCP
4	VDD	Power supply
5	GND	Ground
6	SDA	Open drain serial interface data input/output
7	SCL	Open drain serial interface clock input
8	$\overline{\text{WP}}$	Hardware write protection pin. Active low. Prevents any “Write” operation to the device.

## Ordering Information

PART NUMBER (Notes 1, 2)	PART MARKING	R <sub>TOTAL</sub> (kΩ)	TEMP. RANGE (°C)	PACKAGE (Pb-free)	PKG. DWG. #
ISL96017WIRT8Z	96017 WIZ	10	-40 to 85	8 Ld 3x3 TDFN	L8.3x3A
ISL96017UIRT8Z	96017 UIZ	50	-40 to 85	8 Ld 3x3 TDFN	L8.3x3A

### NOTES:

1. Add “-T\*” suffix for tape and reel. Please refer to [IB3347](#) for details on reel specifications.
2. These Intersil Pb-free plastic packaged products employ special Pb-free material sets, molding compounds/die attach materials, and 100% matte tin plate plus anneal (e3 termination finish, which is RoHS compliant and compatible with both SnPb and Pb-free soldering operations). Intersil Pb-free products are MSL classified at Pb-free peak reflow temperatures that meet or exceed the Pb-free requirements of IPC/JEDEC J STD-020.

## Absolute Maximum Ratings

Storage Temperature: .....	-65°C to 150°C
Note: All Voltages with Respect to GND	
Voltage at SCL, SDA, WP: .....	-0.3V to 4V
Voltage at RH, RW, RL: .....	GND to VDD
VDD .....	-0.3V to 4V
Lead Temperature (Soldering, 10s): .....	300°C
Wiper Current .....	±6mA
ESD (MIL-STD-883B, Method 3014) .....	>2000V
ESD (Machine Model) .....	>150V

## Thermal Information

Thermal Resistance (Typical)	$\theta_{JA}$ (°C/W)	$\theta_{JC}$ (°C/W)
8 Ld TDFN Package (Notes 3, 4) .....	52	5
Moisture Sensitivity (see Technical Brief <a href="#">TB363</a> ) .....	.Level 2	
Maximum Junction Temperature (Plastic Package) .....	150°C	
Pb-Free Reflow Profile .....	see link below	
	<a href="http://www.intersil.com/pbfree/Pb-FreeReflow.asp">http://www.intersil.com/pbfree/Pb-FreeReflow.asp</a>	

## Recommended Operating Conditions

Ambient Temperature .....	-40°C to 85°C
VDD Voltage for DCP Operation .....	3.0V to 3.6V
Wiper Current .....	-3mA to 3mA
Power Rating .....	5mW

CAUTION: Do not operate at or near the maximum ratings listed for extended periods of time. Exposure to such conditions may adversely impact product reliability and result in failures not covered by warranty.

### NOTE:

- $\theta_{JA}$  is measured in free air with the component mounted on a high effective thermal conductivity test board with “direct attach” features. See Tech Brief [TB379](#) for details.
- For  $\theta_{JC}$ , the “case temp” location is the center of the exposed metal pad on the package underside.

**Electrical Specifications** Over recommended operating conditions unless otherwise stated. All voltages with respect to GND. **Boldface** limits apply over the operating temperature range, -40°C to +85°C.

SYMBOL	PARAMETER	TEST CONDITIONS	MIN (Note 18)	TYP (Note 5)	MAX (Note 18)	UNIT
I <sub>ccdB</sub>	Standby Current at VDD	Serial interface in standby			<b>10</b>	μA
I <sub>ccDR</sub>	Read Current at VDD	Reading with 400kHz at SCL			<b>1</b>	mA
I <sub>ccDW</sub>	Write Current at VDD	Writing to EEPROM			<b>5</b>	mA
I <sub>LkDig</sub>	Leakage Current at Pins SDA, SCL, and $\overline{WP}$	Pin voltage from GND to VDD	<b>-10</b>		<b>10</b>	μA
I <sub>LkDCP</sub>	Leakage Current at RH, RW, RL	Pin voltage from GND to VDD	<b>-1</b>		<b>1</b>	μA
V <sub>DDRamp</sub>	VDD Power-Up Ramp Rate		<b>0.2</b>			V/ms
t <sub>DCP</sub> (Note 17)	DCP Wiper Response Time	SCL falling edge of last bit of DCP Data Byte to wiper change		1.5		μs
t <sub>D</sub>	Power-Up Delay	VDD above 2.6V, to DCP Initial Value Register recall completed, and I <sup>2</sup> C Interface in standby state			<b>3</b>	ms
CH/CW/CL (Note 17)	RH, RW, RL Pin Capacitance			10		pF
R <sub>Total</sub>	Total Resistance	W and U versions, respectively. T <sub>A</sub> = 25°C. Measured between R <sub>H</sub> and R <sub>L</sub> pins.		10, 50		kΩ
	R <sub>Total</sub> Tolerance	T <sub>A</sub> = 25°C. Measured between R <sub>H</sub> and R <sub>L</sub> pins.	-20		20	%
R <sub>Wiper</sub>	Wiper Resistance	V <sub>DD</sub> = 3.3V @ 25°C. Wiper current = V <sub>DD</sub> /R <sub>Total</sub>		100	300	Ω
	DCP Resolution		<b>7</b>			Bits
<b>DCP IN VOLTAGE DIVIDER MODE</b> (0V at RL, VCC at RH; measured at RW unloaded)						
FS <sub>error</sub> (Note 6, 7)	Full-Scale Error	U option	<b>-2</b>	-1	<b>0</b>	LSB
		W option	<b>-5</b>	-1	<b>0</b>	LSB
ZS <sub>error</sub> (Note 6, 8)	Zero-Scale Error	U option	<b>0</b>	1	<b>2</b>	LSB
		W option	<b>0</b>	1	<b>5</b>	LSB

**Electrical Specifications** Over recommended operating conditions unless otherwise stated. All voltages with respect to GND. **Boldface limits apply over the operating temperature range, -40°C to +85°C. (Continued)**

SYMBOL	PARAMETER	TEST CONDITIONS	MIN (Note 18)	TYP (Note 5)	MAX (Note 18)	UNIT
TC <sub>V</sub> (Note 11, 17)	Ratiometric Temperature Coefficient	DCP Register between 10 hex and 6F hex		±4		ppm/°C
DNL (Note 6, 9)	Differential Non-Linearity	Monotonic over all tap positions	<b>-0.75</b>		<b>0.75</b>	LSB
INL (Note 6, 10)	Integral Non-Linearity		<b>-1</b>		<b>1</b>	LSB
<b>DCP IN RESISTOR MODE</b> (Measurements between RH and RW with RL not connected)						
R <sub>127</sub> (Note 12)	Resistance Offset.	U version - DCP Register set to 7F hex. Measured between R <sub>H</sub> and R <sub>W</sub> pins.	<b>0</b>	0.5	<b>2</b>	MI
		W version - DCP Register set to 7F hex. Measured between R <sub>H</sub> and R <sub>W</sub> pins.		1	<b>5</b>	MI
TC <sub>R</sub> (Note 15,17)	Resistance Temperature Coefficient			±100		ppm/°C
RDNL (Note 12,13)	Resistance Differential Non-Linearity		<b>-0.75</b>		<b>0.75</b>	MI (Note 1)
RINL (Note 12,14)	Resistance Integral Non-Linearity		<b>-1</b>		<b>1</b>	MI (Note 1)
<b>EEPROM SPECS</b>						
	EEPROM Endurance		<b>1,000,000</b>			Cycles
	EEPROM Retention	At 55°C	50			Years
t <sub>WC</sub> (Note 16)	Non-Volatile Write Cycle Time			6	<b>12</b>	ms
<b>SERIAL INTERFACE SPECS</b>						
V <sub>IL</sub>	$\overline{WP}$ , SDA, and SCL Input Buffer LOW Voltage		<b>-0.3</b>		<b>0.3*</b> VDD	V
V <sub>IH</sub>	$\overline{WP}$ , SDA and SCL Input Buffer HIGH Voltage		<b>0.7*</b> VDD		VDD <b>+0.3</b>	V
Hysteresis	SDA and SCL Input Buffer Hysteresis		<b>0.05*</b> VDD			V
V <sub>OL</sub>	SDA Output Buffer LOW Voltage, Sinking 4mA		<b>0</b>		<b>0.4</b>	V
C <sub>pin</sub>	$\overline{WP}$ , SDA, and SCL Pin Capacitance				<b>10</b>	pF
f <sub>SCL</sub>	SCL Frequency				<b>400</b>	kHz
t <sub>IN</sub>	Pulse Width Suppression Time at SDA and SCL Inputs.	Any pulse narrower than the max spec is suppressed			<b>50</b>	ns
t <sub>AA</sub>	SCL Falling Edge to SDA Output Data Valid	SCL falling edge crossing 30% of VDD, until SDA exits the 30% to 70% of VDD window			<b>900</b>	ns
t <sub>BUF</sub>	Time the Bus Must be Free Before the Start of a New Transmission	SDA crossing 70% of VCC during a STOP condition, to SDA crossing 70% of VDD during the following START condition	<b>1300</b>			ns
t <sub>LOW</sub>	Clock LOW Time	Measured at the 30% of VDD crossing	<b>1300</b>			ns
t <sub>HIGH</sub>	Clock HIGH Time	Measured at the 70% of VDD crossing	<b>600</b>			ns
t <sub>SU:STA</sub>	START Condition Setup Time	SCL rising edge to SDA falling edge. Both crossing 70% of VDD	<b>600</b>			ns
t <sub>HD:STA</sub>	START Condition Hold Time	From SDA falling edge crossing 30% of VDD to SCL falling edge crossing 70% of VDD	<b>600</b>			ns

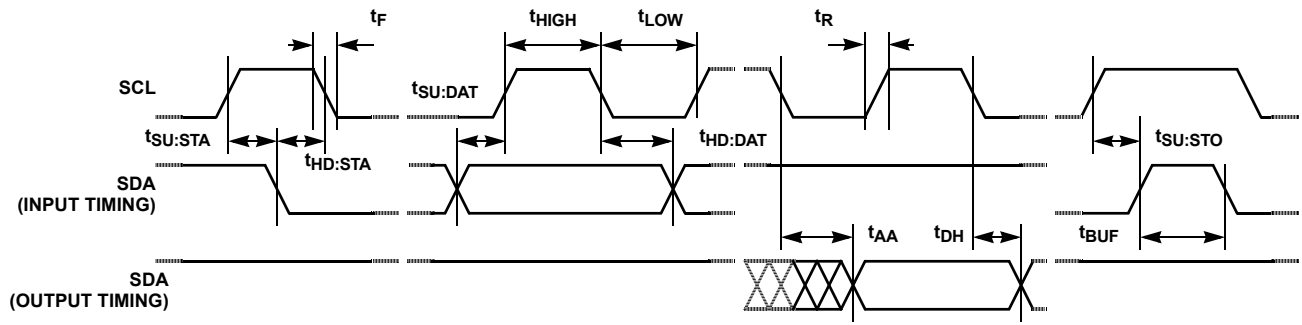
**Electrical Specifications** Over recommended operating conditions unless otherwise stated. All voltages with respect to GND. **Boldface limits apply over the operating temperature range, -40°C to +85°C. (Continued)**

SYMBOL	PARAMETER	TEST CONDITIONS	MIN (Note 18)	TYP (Note 5)	MAX (Note 18)	UNIT
t <sub>SU:DAT</sub>	Input Data Setup Time	From SDA exiting the 30% to 70% of VDD window, to SCL rising edge crossing 30% of VDD	<b>100</b>			ns
t <sub>HD:DAT</sub>	Input Data Hold Time	From SCL rising edge crossing 70% of VDD to SDA entering the 30% to 70% of VDD window	<b>0</b>			ns
t <sub>SU:STO</sub>	STOP Condition Setup Time	From SCL rising edge crossing 70% of VCC, to SDA rising edge crossing 30% of VDD	<b>600</b>			ns
t <sub>HD:STO</sub>	STOP Condition Hold Time	From SDA rising edge to SCL falling edge. Both crossing 70% of VDD	<b>600</b>			ns
t <sub>DH</sub>	Output Data Hold Time	From SCL falling edge crossing 30% of VDD, until SDA enters the 30% to 70% of VDD window	<b>0</b>			ns
t <sub>R</sub>	SDA and SCL Rise Time	From 30% to 70% of VDD	<b>20+</b> <b>0.1*Cb</b>		<b>250</b>	ns
t <sub>F</sub>	SDA and SCL Fall Time	From 70% to 30% of VDD	<b>20+</b> <b>0.1*Cb</b>		<b>250</b>	ns
C <sub>b</sub>	Capacitive Loading of SDA or SCL	Total on-chip and off-chip	<b>10</b>		<b>400</b>	pF
R <sub>pu</sub>	SDA and SCL Bus Pull-Up Resistor Off-Chip	Maximum is determined by t <sub>R</sub> and t <sub>F</sub> For C <sub>b</sub> = 400pF, max is about 2~2.5kΩ For C <sub>b</sub> = 40pF, max is about 15~20kΩ	<b>1</b>			kΩ
t <sub>SU:WP</sub>	$\overline{WP}$ Setup Time	Before START condition			<b>600</b>	ns
t <sub>HD:WP</sub>	$\overline{WP}$ Hold Time	After STOP condition			<b>600</b>	ns

## NOTES:

- Typical values are for T<sub>A</sub> = 25°C and V<sub>DD</sub> = 3.3V.
- LSB = (V(RW)<sub>127</sub> - V(RW)<sub>0</sub>)/127. V(RW)<sub>127</sub> and V(RW)<sub>0</sub> are the voltage at pin RW for the DCP Register set to 7F hex and 00 hex respectively.
- F<sub>Serror</sub> = (V(RW)<sub>127</sub> - VDD)/LSB
- Z<sub>Serror</sub> = V(RW)<sub>0</sub>/LSB
- DNL = [(V(RW)<sub>i</sub> - V(RW)<sub>i-1</sub>)/LSB] - 1, for i from 1 to 127. i is the DCP Register setting.
- INL = [V(RW)<sub>i</sub> - i \* LSB - V(RW)<sub>0</sub>]/LSB, for i = 1 to 127.
- $T_{CV} = \frac{[\text{Max}(V(RW)_i) - \text{Min}(V(RW)_i)]}{[\text{Max}(V(RW)_i) + \text{Min}(V(RW)_i)]/2} \times \frac{10^6}{125^\circ\text{C}}$  for i = 16 to 111, and T = -40°C to 85°C
- MI = (R<sub>0</sub> - R<sub>127</sub>)/127. MI is minimum increment. R<sub>0</sub> and R<sub>127</sub> are the resistances between RH and RW with the DCP Register set to 00 hex and 7F hex, respectively.
- RDNL = (R<sub>i</sub> - R<sub>i-1</sub>)/MI - 1, for i from 1 to 111. i is the DCP Register setting.
- RINL = [R<sub>i</sub> - (MI \* i) - R<sub>127</sub>]/MI, for i from 1 to 111.
- $T_{CR} = \frac{[\text{Max}(R_i) - \text{Min}(R_i)]}{[\text{Max}(R_i) + \text{Min}(R_i)]/2} \times \frac{1 \times 10^6}{125^\circ\text{C}}$  ; for i = 1 to 111, and T = -40°C to 85°C
- t<sub>WC</sub> is the minimum cycle time to be allowed for any non-volatile Write by the user, unless Acknowledge Polling is used. It is the time from a valid STOP condition at the end of a Write sequence of a I<sup>2</sup>C serial interface Write operation, to the end of the self-timed internal non-volatile write cycle.
- Parameter is not 100% tested.
- Parameters with MIN and/or MAX limits are 100% tested at +25°C, unless otherwise specified. Temperature limits established by characterization and are not production tested.

## I<sup>2</sup>C Timing Diagram



## Typical Performance Curves

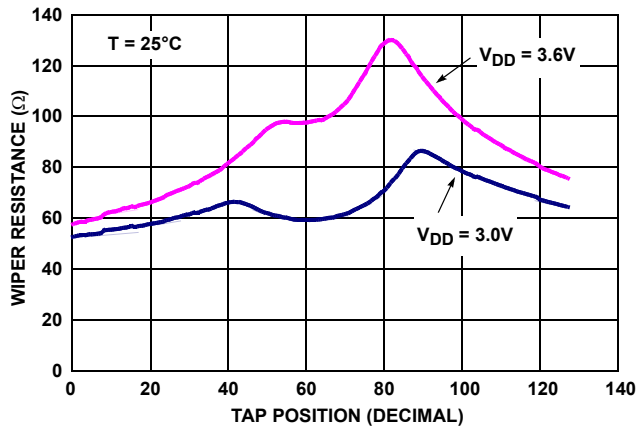


FIGURE 2. WIPER RESISTANCE vs TAP POSITION FOR 10kΩ (W)

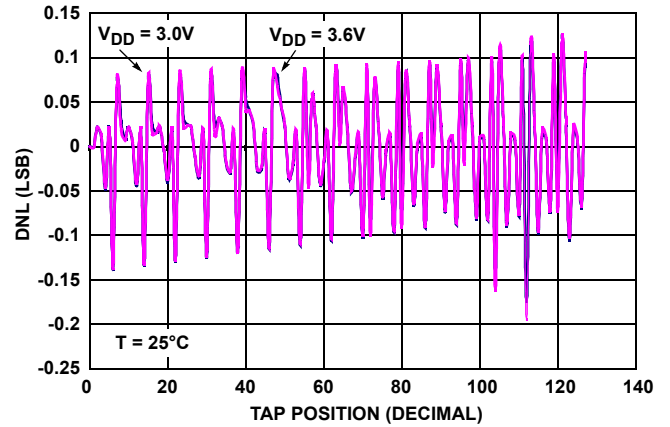


FIGURE 3. DNL vs TAP POSITION FOR 10kΩ (W)

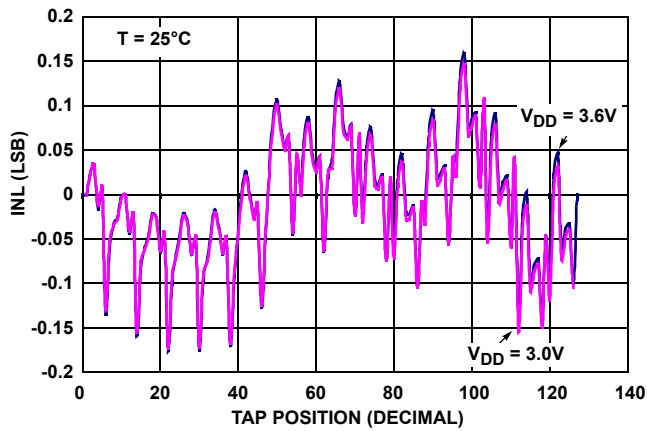


FIGURE 4. INL vs TAP POSITION FOR 10kΩ (W)

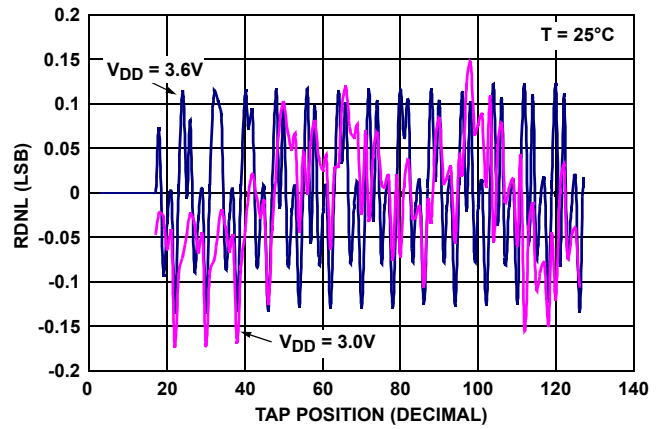


FIGURE 5. RDNL vs TAP POSITION FOR 10kΩ (W)

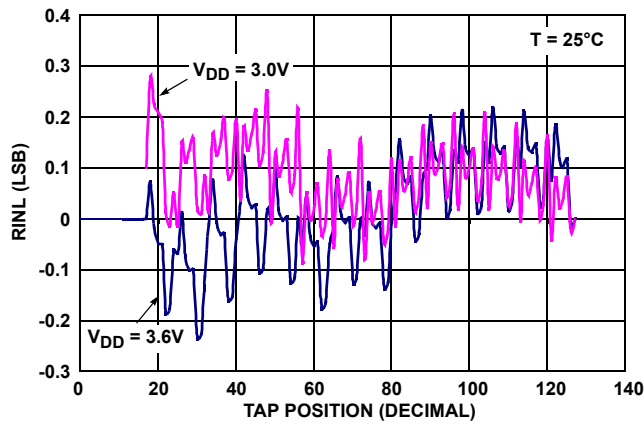


FIGURE 6. RINL vs TAP POSITION FOR 10kΩ (W)

## Principles of Operation

This device combines a DCP, 16kbit non-volatile memory, and an I<sup>2</sup>C serial interface providing direct communication between a host and the DCP and memory.

### DCP Description

The DCP has 10k $\Omega$  or 50k $\Omega$  nominal total resistance and 128 taps. It is implemented with a combination of resistor elements and CMOS switches. The physical ends of the DCP, the RH and RL pins, are equivalent to the fixed terminals of a mechanical potentiometer. The RW pin is connected to intermediate nodes, and it is equivalent to the wiper terminal of a mechanical potentiometer. The position of the wiper terminal within the DCP is controlled by a 7-bit volatile DCP Register. When the DCP Register contains all zeroes (00 hex, or “R<sub>0</sub>”), its wiper terminal, RW, is closest to its RL terminal. When the DCP Register contains all ones (7F hex, or “R<sub>127</sub>”), its wiper terminal is closest to its RH terminal. As the value of the DCP Register increases from all zeroes to all ones, the wiper moves monotonically from the position closest to RL to the closest to RH. Therefore, the resistance between RH and RW decreases monotonically from R<sub>0</sub> to R<sub>127</sub>, while the resistance between RW and RL increases monotonically from R<sub>127</sub> to R<sub>0</sub>.

While the device is being powered up, the DCP Register is reset to 40 hex (64 decimal). Soon after the power supply voltage becomes large enough for reliable non-volatile memory reading, the device reads the value stored on the non-volatile Initial Value Register (IVR) and loads it into the DCP Register.

### Memory Description

This device contains 2048 non-volatile bytes organized in 128 pages of 16 bytes each. This allows writing 16 bytes on a single I<sup>2</sup>C interface operation, followed by a single internal non-volatile write cycle. The memory is accessed by I<sup>2</sup>C interface operations with addresses 000 hex through 7FF hex.

Bytes at addresses 000 hex through 7FB hex are available to the user as general purpose memory. The byte at address 7FF hex, IVR, contains the initial value loaded at power-up into the volatile DCP Register. The byte at address 7FE hex controls the access to the DCP byte (See “Access to DCP Register and IVR”). Bytes at addresses 7FC hex and 7FD hex, are reserved, which means that they should not be written, and their value should be ignored if they are read (see Table 1).

TABLE 1. ISL96017 MEMORY MAP

ADDRESS	DATA BITS								FUNCTION
	0	D <sub>6</sub>	D <sub>5</sub>	D <sub>4</sub>	D <sub>3</sub>	D <sub>2</sub>	D <sub>1</sub>	D <sub>0</sub>	
7FFh	0	D <sub>6</sub>	D <sub>5</sub>	D <sub>4</sub>	D <sub>3</sub>	D <sub>2</sub>	D <sub>1</sub>	D <sub>0</sub>	IVR, DCP
7FEh	OV	0	0	0	0	0	0	0	Access Control
7FDh	Reserved								
7FCh	Reserved								
7FBh	D <sub>7</sub>	D <sub>6</sub>	D <sub>5</sub>	D <sub>4</sub>	D <sub>3</sub>	D <sub>2</sub>	D <sub>1</sub>	D <sub>0</sub>	General Purpose Memory
000h									

NOTE: OV = “Only Volatile”. All other bits in register 7FEh must be 0.

### Access to DCP Register and IVR

The volatile DCP Register and the non-volatile (IVR) can be read or written directly using the I<sup>2</sup>C serial interface, with Address Byte 07FF hex.

The MSB of the byte at address 7FE hex is called “OnlyVolatile” and controls the access to the DCP Register and IVR. This bit is volatile and it’s reset to “0” at power up.

The Data Byte read from memory address 7FF hex, is from the DCP register when the “OnlyVolatile” bit is “1”, and from the IVR when this bit is “0”.

The Data Byte of a Write operation to memory address 7FF hex is written only to the DCP Register when the “OnlyVolatile” bit is “1”, and it’s written to both the DCP Register and the IVR when this bit is “0”.

When writing to the “OnlyVolatile” bit at address 7FE hex, the seven LSBs of the Data Byte must be all zeros.

Writing to address 7FE hex and 7FF hex can be done in two Write operations, or one Write operation with two Data Bytes.

See next sections for interface protocol description.



## I<sup>2</sup>C Serial Interface

This device supports a bidirectional bus oriented protocol. The protocol defines any device that sends data onto the bus as a transmitter and the receiving device as the receiver. The device controlling the transfer is a master and the device being controlled is the slave. The master always initiates data transfers and provides the clock for both transmit and receive operations. Therefore, this device operates as a slave device in all applications. All communication over the I<sup>2</sup>C interface is conducted by sending the MSB of each byte of data first.

### Protocol Conventions

Data states on the SDA line can change only during SCL LOW periods. SDA state changes during SCL HIGH are reserved for indicating START and STOP conditions (See Figure 7). On power up, the SDA pin is in the input mode. All I<sup>2</sup>C interface operations must begin with a START condition, which is a HIGH to LOW transition of SDA while SCL is HIGH. The device continuously monitors the SDA and SCL lines for the START condition and does not respond to any command until this condition is met (See Figure 7). A START condition is ignored during the power up sequence and during internal non-volatile write cycles. All I<sup>2</sup>C interface operations must be terminated by a STOP condition, which is a LOW to HIGH transition of SDA while SCL is HIGH (See Figure 7). A STOP condition at the end of a Read operation, or at the end of a Write operation to volatile bytes only places the device in its standby mode. A STOP condition during a Write operation to a non-volatile byte, initiates an internal non-volatile write cycle. The device enters its standby state when the internal non-volatile write cycle is completed.

An ACK, Acknowledge, is a software convention used to indicate a successful data transfer. The transmitting device, either master or slave, releases the SDA bus after transmitting eight bits. During the ninth clock cycle, the receiver pulls the SDA line LOW to acknowledge the reception of the eight bits of data (See Figure 8). This device responds with an ACK after recognition of a START condition followed by a valid Identification Byte, and once again after successful receipt of the Address Byte. This device also responds with an ACK after receiving each Data Byte of a Write operation. The master must respond with an ACK after receiving each Data Byte of a read operation except the last one. A valid Identification Byte contains 1010 as the four MSBs. The following three bits are the MSBs of the memory address to be accessed. The LSB of the Identification Byte is the Read/Write bit. Its value is "1" for a Read operation, and "0" for a Write operation (see Table 2). The complete memory address location to be accessed is a 11-bit word, since the memory has 2048 bytes. The eight LSBs are in the Address Byte.

TABLE 2. IDENTIFICATION BYTE FORMAT

1	0	1	0	A10	A9	A8	R/Wb
MSB				LSB			

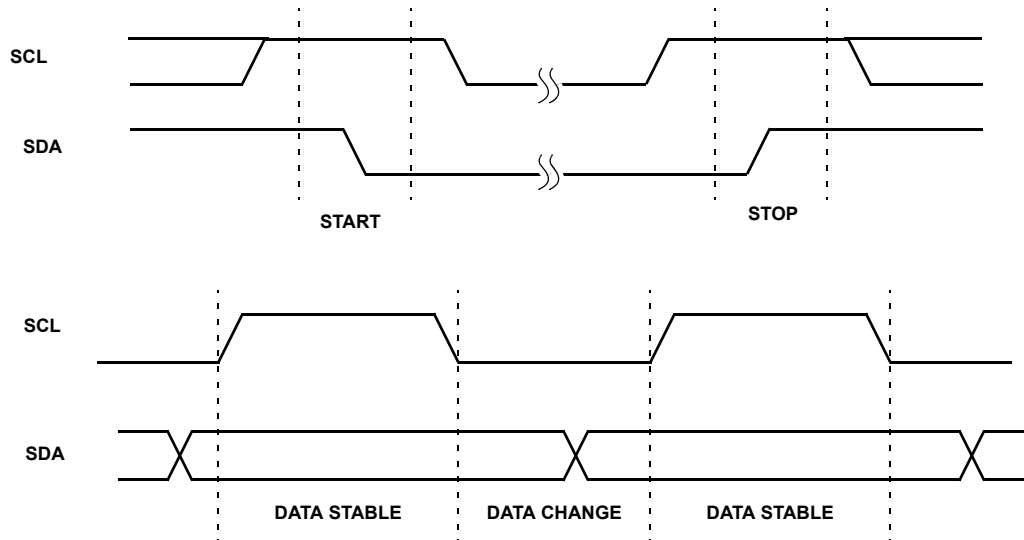


FIGURE 7. VALID DATA CHANGES, START AND STOP CONDITIONS

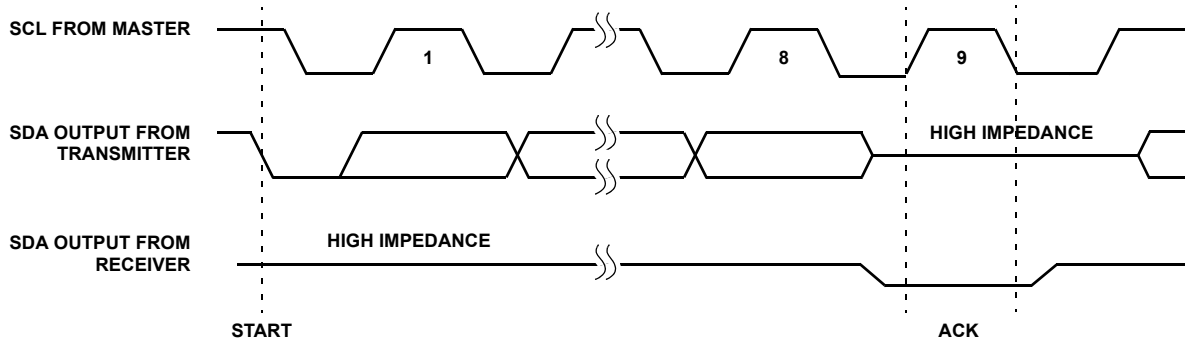


FIGURE 8. ACKNOWLEDGE RESPONSE FROM RECEIVER

## Write Operation

A Write operation requires a START condition, followed by a valid Identification Byte, a valid Address Byte, one or more Data Bytes, and a STOP condition (See Figure 9). After each of the bytes, this device responds with an ACK. At this time, if the operation is only writing to volatile registers, then the device enters its standby state. If one or more Data Bytes are to be written to non-volatile memory, the device begins its internal write cycle to non-volatile memory. During this cycle, the device ignores transitions at the SDA and SCL pins, and the SDA output is at a high impedance state. When the internal non-volatile write cycle is completed, the device enters its standby state.

The memory is organized as 128 pages of 16 bytes each. This allows writing 16 bytes on a single I<sup>2</sup>C interface operation, followed by a single internal non-volatile write cycle. The addresses of bytes within a page share the same eight MSBs, and differ on the four LSBs. For example, the first page is located at addresses 0 hex through F hex, the second page is located at addresses 10 hex through 1F hex, etc.

A Write operation with more than one Data Byte sends the first Data Byte to the memory address indicated by the three address bits of the Identification Byte plus the eight bits of the Address Byte, the second Data Byte to the following address, etc.

A single Write operation has to stay within a page. If the Address Byte corresponds to the lowest address of a page, then the Write operation can have anywhere from 1 to 16 Data Bytes. If the Address Byte corresponds to the highest address of a page, then only one byte can be written with that Write operation.

See "Access to DCP Register and IVR" for additional information.

## Data Protection

The  $\overline{WP}$  pin has to be at logic HIGH to perform any Write operation to the device. When  $\overline{WP}$  is active (LOW) the device ignores Data Bytes of a Write operation, does not respond to them with ACK, and instead, goes to its standby state waiting for a new START condition.

A valid Identification Byte, Address Byte, and total number of SCL pulses act as a protection of both volatile and non-volatile registers.

During a Write sequence, Data Bytes are loaded into an internal shift register as they are received. If the address bits in the Identification Byte plus the bits in the Address Byte are all ones, the Data Byte is transferred to the DCP Register at the falling edge of the SCL pulse that loads the last bit (LSB) of the Data Byte.

The STOP condition acts as a protection of non-volatile memory. Non-volatile internal write cycles are started by STOP conditions.

## Read Operation

A Read operation consist of a three byte instruction followed by one or more Data Bytes (See Figure 10). The master initiates the operation issuing the following sequence: a START, the Identification Byte with the R/W bit set to "0", an Address Byte which contains the LSBs of the memory address, a second START, and a second Identification Byte with the same address bits but with the R/W bit set to "1". After each of the three bytes, this device responds with an ACK. Then this device transmits Data Bytes as long as the master responds with an ACK during the SCL cycle following the eighth bit of each byte. The master terminates the Read operation (issuing a STOP condition) following the last bit of the last Data Byte. The Data Bytes are from the memory location indicated by an internal pointer. This pointer initial value is determined by the address bits in the Identification Byte plus the bits in the Address Byte in the Read operation instruction, and increments by one during transmission of each Data Byte.

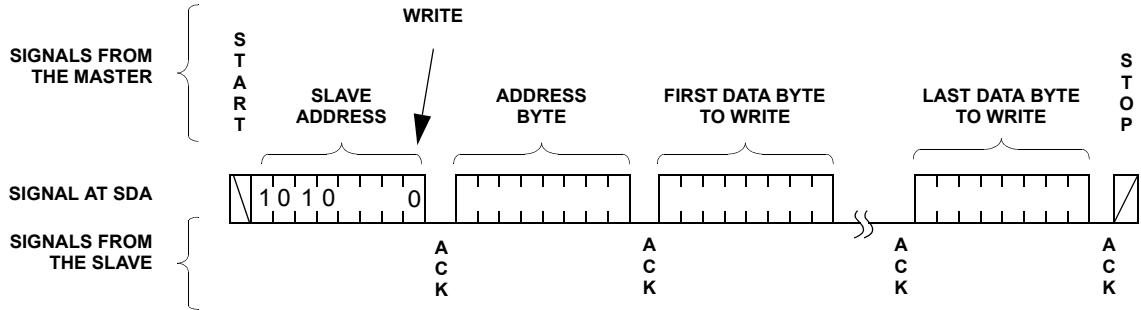


FIGURE 9. WRITE SEQUENCE

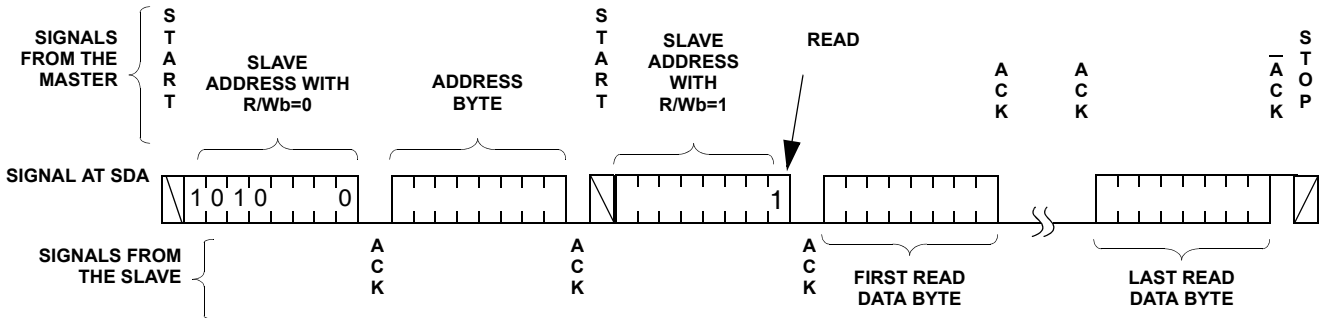


FIGURE 10. READ SEQUENCE

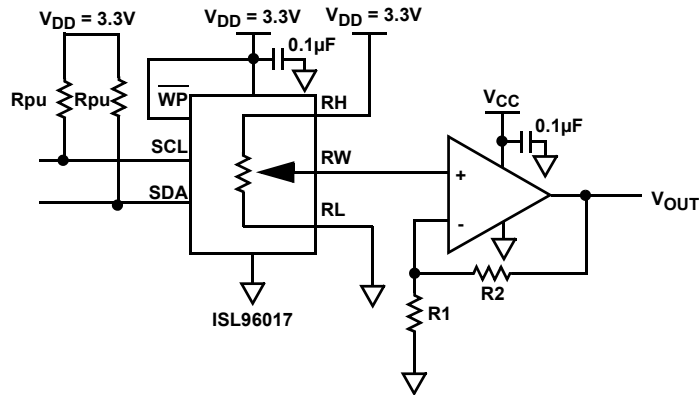


FIGURE 11. TYPICAL APPLICATION DIAGRAM FOR IMPLEMENTING ADJUSTABLE VOLTAGE REFERENCE

### Applications Information

The typical application diagram is shown on Figure 11. For proper operation adding 0.1µF decoupling ceramic capacitor to V<sub>DD</sub> is recommended. The capacitor value may vary based on expected noise frequency of the design.

## Revision History

The revision history provided is for informational purposes only and is believed to be accurate, but not warranted. Please go to web to make sure you have the latest revision.

DATE	REVISION	CHANGE
May 30, 2012	FN8243.2	Updated to new datasheet format. Corrected note number references in "Electrical Specifications". All note numbers were incremented by 1.
April 17, 2006	FN8243.1	Corrections made to "Ordering Information" on page 2 1. Part number's were swapped - ISL96017UIRT8Z* should be for 50k Rtotal, and ISL96017WIRT8Z* - for 10k Rtotal. Corrections made to Features bullet on page 1: 2. Endurance cycles updated from 100,000 to 1,000,000.
December 20, 2005	FN8243.0	Initial Release

## Products

Intersil Corporation is a leader in the design and manufacture of high-performance analog semiconductors. The Company's products address some of the industry's fastest growing markets, such as, flat panel displays, cell phones, handheld products, and notebooks. Intersil's product families address power management and analog signal processing functions. Go to [www.intersil.com/products](http://www.intersil.com/products) for a complete list of Intersil product families.

For a complete listing of Applications, Related Documentation and Related Parts, please see the respective device information page on [intersil.com](http://intersil.com): [ISL96017](http://intersil.com/ISL96017)

To report errors or suggestions for this datasheet, please go to: [www.intersil.com/askourstaff](http://www.intersil.com/askourstaff)

FITs are available from our website at: <http://rel.intersil.com/reports/sear>

© Copyright Intersil Americas LLC 2005-2012. All Rights Reserved.  
All trademarks and registered trademarks are the property of their respective owners.

For additional products, see [www.intersil.com/en/products.html](http://www.intersil.com/en/products.html)

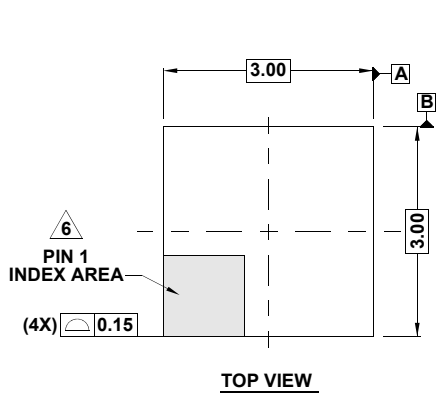
Intersil products are manufactured, assembled and tested utilizing ISO9001 quality systems as noted in the quality certifications found at [www.intersil.com/en/support/qualandreliability.html](http://www.intersil.com/en/support/qualandreliability.html)

*Intersil products are sold by description only. Intersil may modify the circuit design and/or specifications of products at any time without notice, provided that such modification does not, in Intersil's sole judgment, affect the form, fit or function of the product. Accordingly, the reader is cautioned to verify that datasheets are current before placing orders. Information furnished by Intersil is believed to be accurate and reliable. However, no responsibility is assumed by Intersil or its subsidiaries for its use; nor for any infringements of patents or other rights of third parties which may result from its use. No license is granted by implication or otherwise under any patent or patent rights of Intersil or its subsidiaries.*

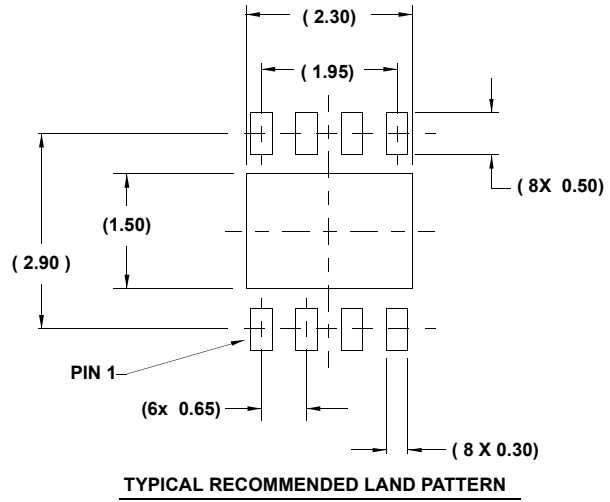
For information regarding Intersil Corporation and its products, see [www.intersil.com](http://www.intersil.com)

# Package Outline Drawing

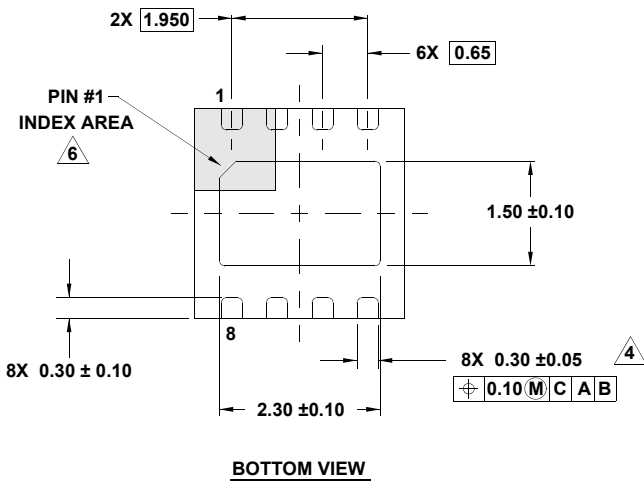
**L8.3x3A**  
**8 LEAD THIN DUAL FLAT NO-LEAD PLASTIC PACKAGE**  
 Rev 4, 2/10



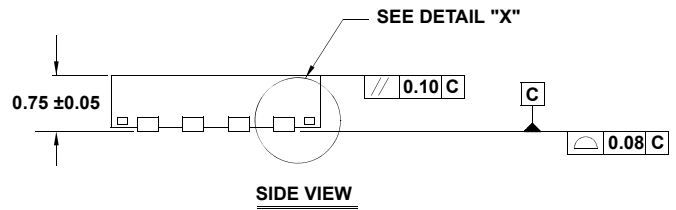
**TOP VIEW**



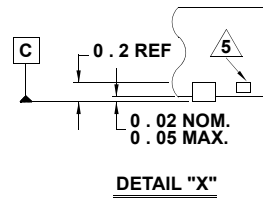
**TYPICAL RECOMMENDED LAND PATTERN**



**BOTTOM VIEW**



**SIDE VIEW**



**DETAIL "X"**

**NOTES:**

1. Dimensions are in millimeters.  
Dimensions in ( ) for Reference Only.
2. Dimensioning and tolerancing conform to ASME Y14.5m-1994.
3. Unless otherwise specified, tolerance : Decimal ± 0.05
4. Dimension applies to the metallized terminal and is measured between 0.15mm and 0.20mm from the terminal tip.
5. Tiebar shown (if present) is a non-functional feature.
6. The configuration of the pin #1 identifier is optional, but must be located within the zone indicated. The pin #1 identifier may be either a mold or mark feature.
7. Compliant to JEDEC MO-229 WEEC-2 except for the foot length.