

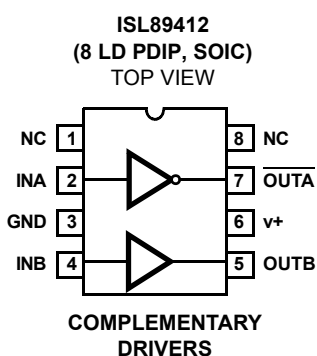
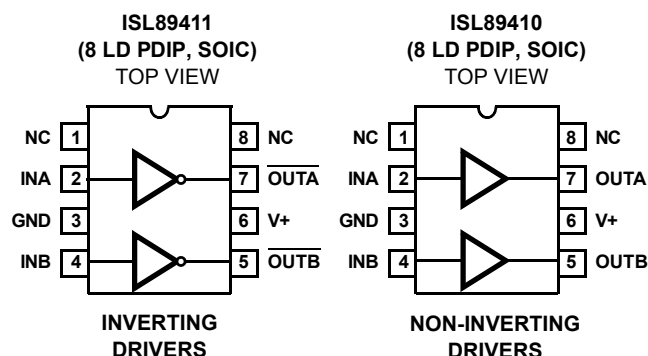
ISL89410, ISL89411, ISL89412

High Speed, Dual Channel Power MOSFET Drivers

FN6798  
Rev 2.00  
October 16, 2015

The ISL89410, ISL89411, ISL89412 ICs are similar to the EL7202, EL7212, EL7222 series but with greater VDD ratings. These are very high speed matched dual drivers capable of delivering peak currents of 2.0A into highly capacitive loads. The high speed performance is achieved by means of a proprietary “Turbo-Driver” circuit that speeds up input stages by tapping the wider voltage swing at the output. Improved speed and drive capability are enhanced by matched rise and fall delay times. These matched delays maintain the integrity of input-to-output pulse-widths to reduce timing errors and clock skew problems. This improved performance is accompanied by a 10-fold reduction in supply currents over bipolar drivers, yet without the delay time problems commonly associated with CMOS devices. Dynamic switching losses are minimized with non-overlapped drive techniques.

**Pinouts**



Manufactured under U.S. Patent Nos. 5,334,883, #5,341,047

**Ordering Information**

| PART NUMBER  | PART MARKING | TEMP. RANGE (°C) | PACKAGE               | PKG. DWG. # |
|--|--------------|------------------|-----------------------|-------------|
| ISL89410IPZ (Note)<br><b>(No longer available, recommended replacement: ISL89410IBZ)</b> | 89410 IPZ    | -40 to +85       | 8 Ld PDIP** (Pb-free) | E8.3        |

**Features**

- Industry Standard Driver Replacement
- Improved Response Times
- Matched Rise and Fall Times
- Reduced Clock Skew
- Low Output Impedance
- Low Input Capacitance
- High Noise Immunity
- Improved Clocking Rate
- Low Supply Current
- Wide Operating Voltage Range
- Pb-Free Available (RoHS compliant)

**Applications**

- Clock/line Drivers
- CCD Drivers
- Ultra-Sound Transducer Drivers
- Power MOSFET Drivers
- Switch Mode Power Supplies
- Class D Switching Amplifiers
- Ultrasonic and RF Generators
- Pulsed Circuits

**Pin Descriptions**

| SYMBOL         | PIN DESCRIPTIONS   |
|----------------|--|
| V <sub>+</sub> | Power voltage from 4.5V to 18V.  |
| GND            | Power voltage return   |
| INA, INB       | Logic inputs.  |
| OUTA<br>OUTA   | Non-inverted output for ISL89410. Inverted output for ISL89411 and ISL89412. |
| OUTB<br>OUTB   | Non-inverted output for ISL89410 and ISL89412. Inverted output for ISL89411. |
| NC             | These pins must be left unconnected.   |

## Ordering Information

| PART NUMBER  | PART MARKING | TEMP. RANGE (°C) | PACKAGE                             | PKG. DWG. # |
|--|--------------|------------------|-------------------------------------|-------------|
| ISL89410IBZ (Note)   | 89410 IBZ    | -40 to +85       | 8 Ld SOIC (Pb-free)                 | M8.15E      |
| ISL89410IBZ-T13* (Note)  | 89410 IBZ    | -40 to +85       | 8 Ld SOIC (Tape and Reel) (Pb-free) | M8.15E      |
| ISL89411IPZ (Note)   | ISL 89411IPZ | -40 to +85       | 8 Ld PDIP** (Pb-free)               | E8.3        |
| ISL89411IBZ (Note)   | 89411 IBZ    | -40 to +85       | 8 Ld SOIC (Pb-free)                 | M8.15E      |
| ISL89411IBZ-T13* (Note)  | 89411 IBZ    | -40 to +85       | 8 Ld SOIC (Tape and Reel) (Pb-free) | M8.15E      |
| ISL89412IPZ ( <b>No longer available, recommended replacement: ISL89412IBZ</b> ) | 89412 IPZ    | -40 to +85       | 8 Ld PDIP** (Pb-free)               | E8.3        |
| ISL89412IBZ (Note)   | 89412 IBZ    | -40 to +85       | 8 Ld SOIC (Pb-free)                 | M8.15E      |
| ISL89412IBZ-T13* (Note)  | 89412 IBZ    | -40 to +85       | 8 Ld SOIC (Tape and Reel) (Pb-free) | M8.15E      |

\*Please refer to TB347 for details on reel specifications.

\*\*Pb-free PDIPs can be used for through-hole wave solder processing only. They are not intended for use in Reflow solder processing applications

NOTE: These Intersil Pb-free plastic packaged products employ special Pb-free material sets, molding compounds/die attach materials, and 100% matte tin plate plus anneal (e3 termination finish, which is RoHS compliant and compatible with both SnPb and Pb-free soldering operations).

Intersil Pb-free products are MSL classified at Pb-free peak reflow temperatures that meet or exceed the Pb-free requirements of IPC/JEDEC J STD-020.

**Absolute Maximum Ratings**

|                              |                         |
|------------------------------|-------------------------|
| Supply (V+ to GND)           | 19.0V                   |
| Input Pins                   | -0.3V to +0.3V above V+ |
| Combined Peak Output Current | .4A                     |

**Maximum Recommended Operating Conditions**

|                                |               |
|--------------------------------|---------------|
| Recommended Operating V+ Range | 4.5V to 18.0V |
| Input Pins                     | 0V to V+      |

**Thermal Information**

|                                |   |
|--------------------------------|---|
| Operating Junction Temperature | +125°C  |
| Power Dissipation              |   |
| 8 Ld SOIC                      | .570mW  |
| 8 Ld PDIP*                     | .1050mW   |
| Storage Temperature Range      | -65°C to +150°C   |
| Ambient Operating Temperature  | -40°C to +85°C  |
| Pb-Free Reflow Profile         | see link below<br><a href="http://www.intersil.com/pbfree/Pb-FreeReflow.asp">http://www.intersil.com/pbfree/Pb-FreeReflow.asp</a> |

\*Pb-free PDIPs can be used for through-hole wave solder processing only. They are not intended for use in Reflow solder processing applications.

**CAUTION:** Do not operate at or near the maximum ratings listed for extended periods of time. Exposure to such conditions may adversely impact product reliability and result in failures not covered by warranty.

**IMPORTANT NOTE:** All parameters having Min/Max specifications are guaranteed. Typical values are for information purposes only. Unless otherwise noted, all tests are at the specified temperature and are pulsed tests, therefore:  $T_J = T_C = T_A$

**DC Electrical Specifications**  $T_A = +25^\circ\text{C}$ ,  $V = 18\text{V}$  unless otherwise specified; Parameters with MIN and/or MAX limits are 100% tested at  $+25^\circ\text{C}$ , unless otherwise specified. Temperature limits established by characterization and are not production tested.

| PARAMETER           | DESCRIPTION               | TEST CONDITIONS           | MIN | TYP | MAX | UNITS         |
|---------------------|---------------------------|---------------------------|-----|-----|-----|---------------|
| <b>INPUT</b>        |                           |                           |     |     |     |               |
| $V_{IH}$            | Logic "1" Input Voltage   |                           | 2.4 |     |     | V             |
| $I_{IH}$            | Logic "1" Input Current   | @V+                       |     | 0.1 | 10  | $\mu\text{A}$ |
| $V_{IL}$            | Logic "0" Input Voltage   |                           |     |     | 0.8 | V             |
| $I_{IL}$            | Logic "0" Input Current   | @0V                       |     | 0.1 | 10  | $\mu\text{A}$ |
| $V_{HVS}$           | Input Hysteresis          |                           |     | 0.3 |     | V             |
| <b>OUTPUT</b>       |                           |                           |     |     |     |               |
| $R_{OH}$            | Pull-Up Resistance        | $I_{OUT} = -100\text{mA}$ |     | 3   | 6   | $\Omega$      |
| $R_{OL}$            | Pull-Down Resistance      | $I_{OUT} = +100\text{mA}$ |     | 4   | 6   | $\Omega$      |
| $I_{PK}$            | Peak Output Current       | Source                    |     | 2   |     | A             |
|                     |                           | Sink                      |     | 2   |     | A             |
| $I_{DC}$            | Continuous Output Current | Source/Sink               | 100 |     |     | mA            |
| <b>POWER SUPPLY</b> |                           |                           |     |     |     |               |
| $I_S$               | Power Supply Current      | Inputs High/ISL89410      |     | 4.5 | 7.5 | mA            |
|                     |                           | Inputs High/ISL89411      |     | 1   | 2.5 | mA            |
|                     |                           | Inputs High/ISL89412      |     | 2.5 | 5.0 | mA            |
| $V_S$               | Operating Voltage         |                           | 4.5 |     | 18  | V             |

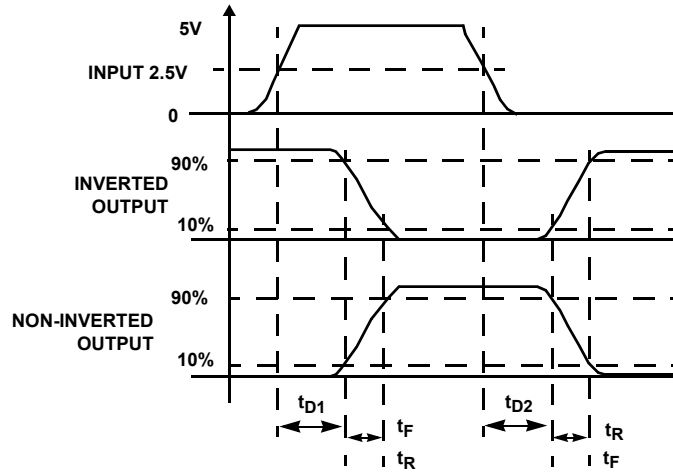
**AC Electrical Specifications**  $T_A = +25^\circ\text{C}$ ,  $V = 18\text{V}$  unless otherwise specified.

| PARAMETER                        | DESCRIPTION                  | TEST CONDITIONS              | MIN | TYP | MAX | UNITS |
|----------------------------------|------------------------------|------------------------------|-----|-----|-----|-------|
| <b>SWITCHING CHARACTERISTICS</b> |                              |                              |     |     |     |       |
| $t_R$                            | Rise Time (Note 1)           | $C_L = 500\text{pF}$         |     | 7.5 |     | ns    |
|                                  |                              | $C_L = 1000\text{pF}$        |     | 10  | 20  | ns    |
| $t_F$                            | Fall Time (Note 1)           | $C_L = 500\text{pF}$         |     | 10  |     | ns    |
|                                  |                              | $C_L = 1000\text{pF}$        |     | 13  | 20  | ns    |
| $t_{D1}$                         | Turn-On Delay Time (Note 1)  | See "Timing Table" on page 4 |     | 18  | 25  | ns    |
| $t_{D2}$                         | Turn-Off Delay Time (Note 1) | See "Timing Table" on page 4 |     | 20  | 25  | ns    |

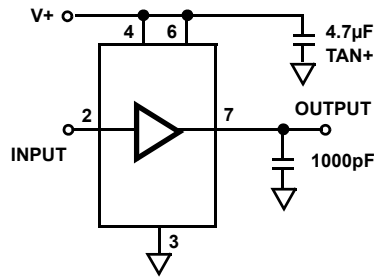
NOTE:

- Limits established by characterization and are not production tested.

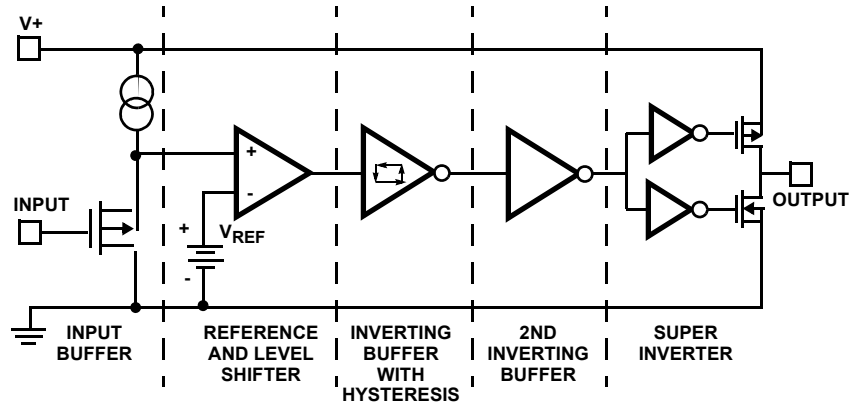
**Timing Table**



**Standard Test Configuration**



**Simplified Schematic**



### Typical Performance Curves

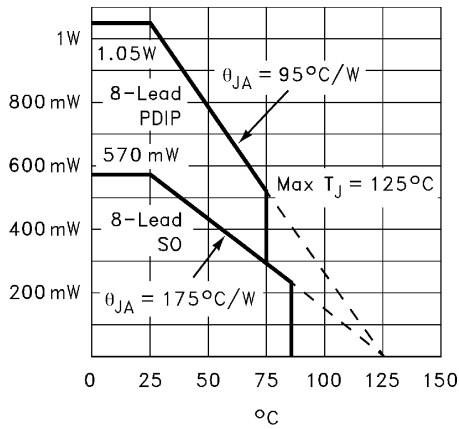


FIGURE 1. MAX POWER/DERATING CURVES

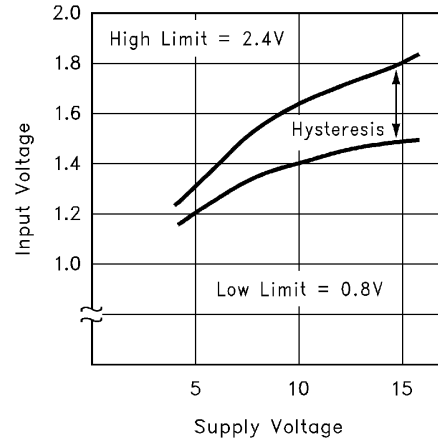


FIGURE 2. SWITCH THRESHOLD vs SUPPLY VOLTAGE

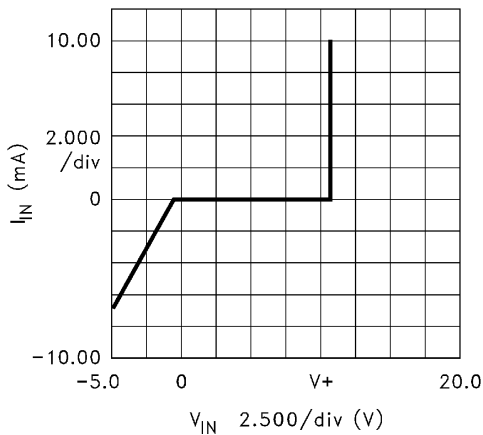


FIGURE 3. INPUT CURRENT vs VOLTAGE

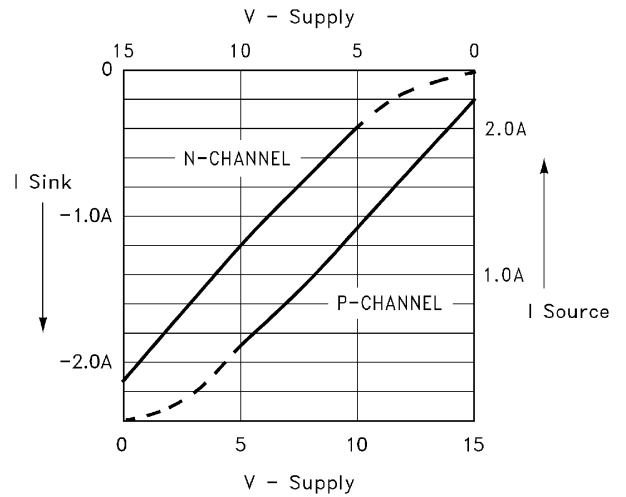


FIGURE 4. PEAK DRIVE vs SUPPLY VOLTAGE

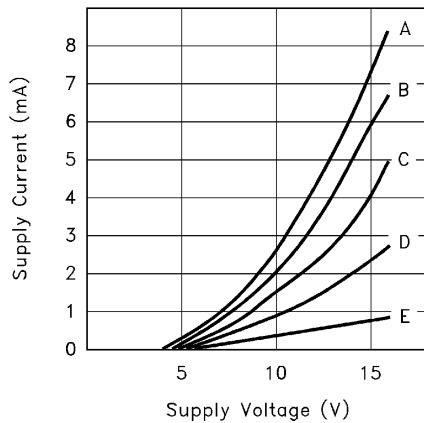
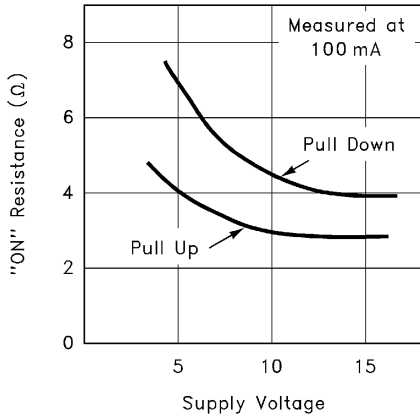


FIGURE 5. QUIESCENT SUPPLY CURRENT

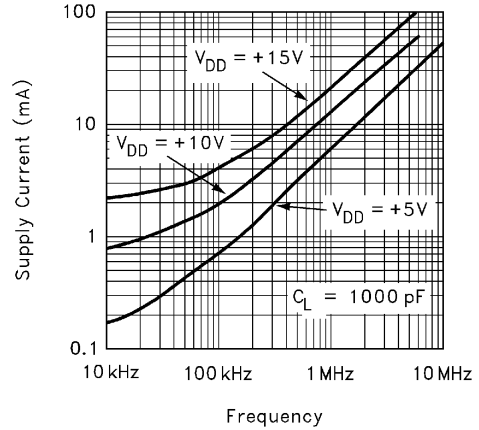
CASE:

| Device   | Input Level | Curve |
|----------|-------------|-------|
| ISL89410 | GND         | A     |
|          | V+          | B     |
|          | V+          | C     |
| ISL89411 | GND         | C     |
|          | V+          | D     |
|          | V+          | E     |
| ISL89412 | GND         | B     |
|          | V+          | C     |
|          | V+          | D     |

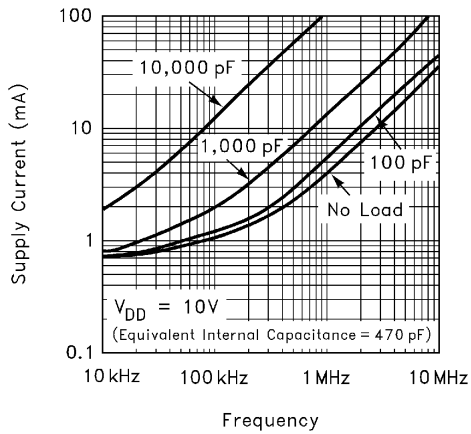
**Typical Performance Curves** (Continued)



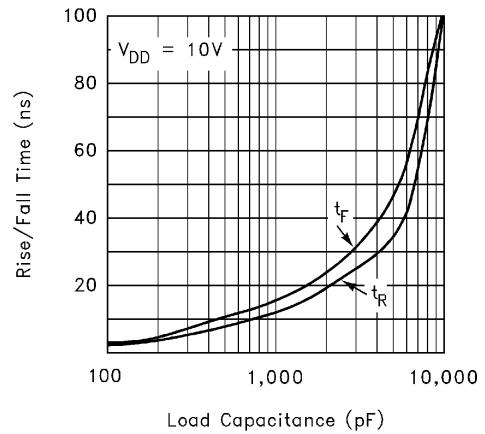
**FIGURE 6. "ON" RESISTANCE vs SUPPLY VOLTAGE**



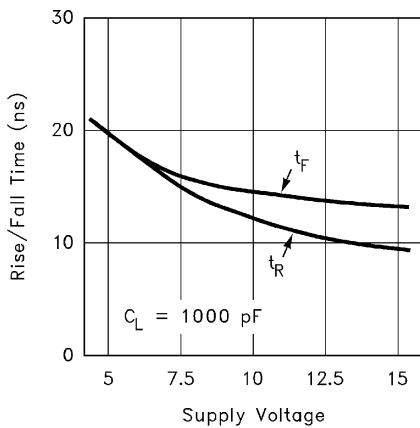
**FIGURE 7. AVERAGE SUPPLY CURRENT vs VOLTAGE AND FREQUENCY**



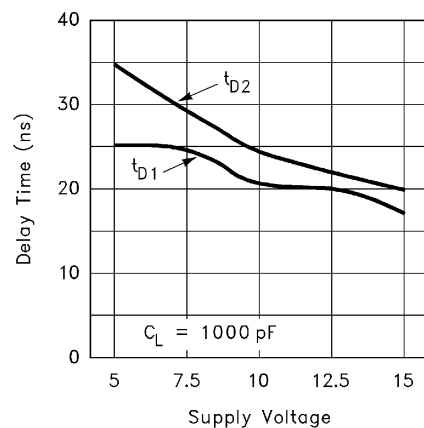
**FIGURE 8. AVERAGE SUPPLY CURRENT vs CAPACITIVE LOAD**



**FIGURE 9. RISE/FALL TIME vs LOAD**



**FIGURE 10. RISE/FALL TIME vs SUPPLY VOLTAGE**



**FIGURE 11. PROPAGATION DELAY vs SUPPLY VOLTAGE**

**Typical Performance Curves** (Continued)

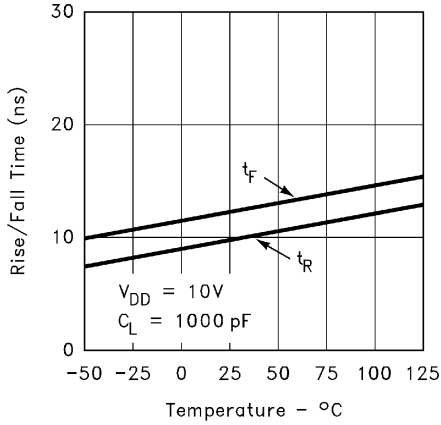


FIGURE 12. RISE/FALL TIME vs TEMPERATURE

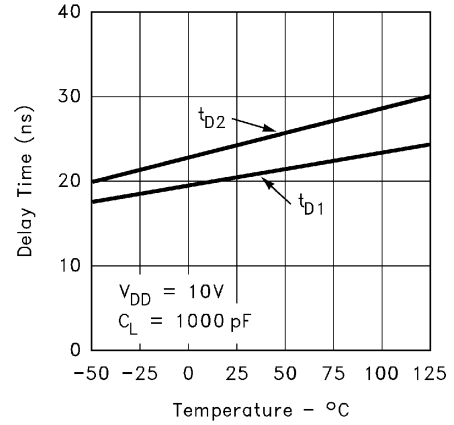
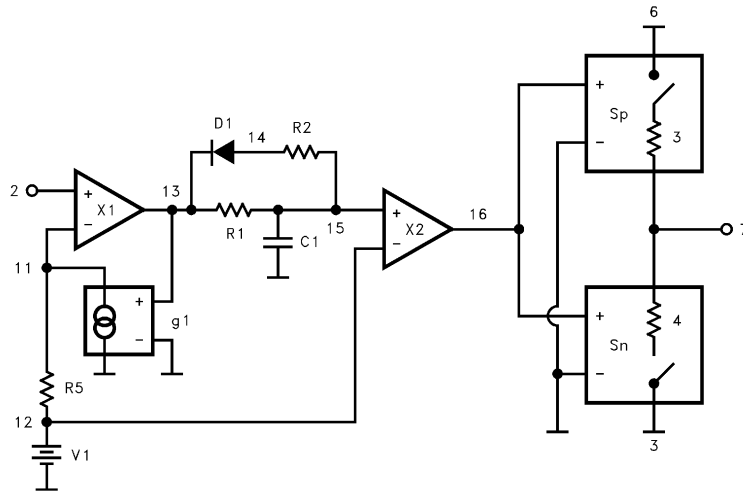


FIGURE 13. DELAY vs TEMPERATURE

**ISL89411 Macro Model**



\*\*\*\* **ISL89411 Model** \*\*\*\*

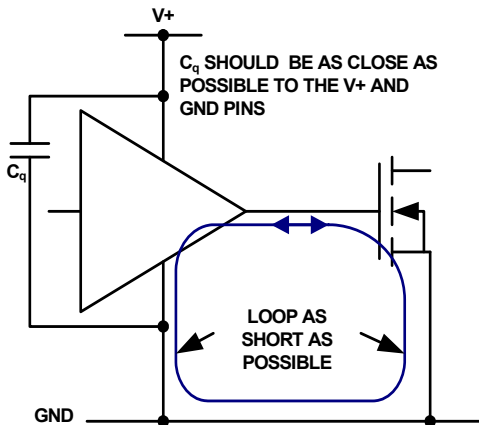
```

*          input
*          |   gnd
*          |   |   Vsupply
*          |   |   Vout
*          |   |   |
.subckt M89411 2   3   6   7
V1 12 3 1.6
R1 13 15 1k
R2 14 15 5k
R5 11 12 100
C1 15 3 43.3 pF
D1 14 13 dmod
X1 13 11 2 3 comp1
X2 16 12 15 3 comp1
sp 6 7 16 3 spmod
sn 7 3 16 3 snmod
g1 11 0 13 0 938µ
.model dmod d
.model spmod vswitch ron3 roff2meg von1 voff1.5
.model snmod vswitch ron4 roff2meg von3 voff2
.ends M89411
    
```

```
.subckt comp1 out inp inm vss
e1 out vss table { (v(inp) v(inm))* 5000} (0,0) (3.2,3.2)
Rout out vss 10meg
Rinp inp vss 10meg
Rinm inm vss 10meg
.ends comp1
```

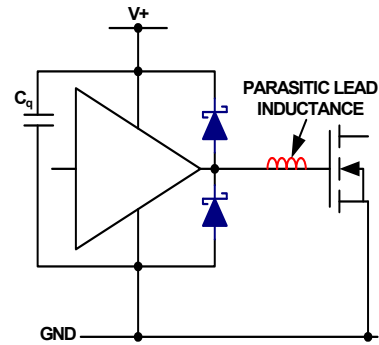
**Application Guidelines**

It is important to minimize inductance to the power FET by keeping the output drive current loop as short as possible. Also, the decoupling capacitor, C<sub>q</sub>, should be a high quality ceramic capacitor with a Q that should be a least 10x the gate Q of the power FET. A ground plane under this circuit is also recommended.



**FIGURE 14. RECOMMENDED LAYOUT METHODS**

In applications where it is difficult to place the driver very close to the power FET (which may result with excessive parasitic inductance), it then may be necessary to add an external gate resistor to dampen the inductive ring. If this resistor must be too large in value to be effective, then as an alternative, Schottky diodes can be added to clamp the ring voltage to V+ or GND.



**FIGURE 15. SUGGESTED CONFIGURATION FOR DRIVING INDUCTIVE LOADS**

Where high supply voltage operation is required (15V to 18V), input signals with a minimum of 3.3V input drive is suggested and a minimum rise/fall time of 100ns. This is recommended to minimize the internal bias current power dissipation.

Excessive power dissipation in the driver can result when driving highly capacitive FET gates at high frequencies. These gate power losses are defined by Equation 1:

$$P = 2 \cdot Q_C \cdot V_{GS} \cdot f_{SW} \tag{EQ. 1}$$

where:

- P = Power
- Q<sub>C</sub> = Charge of the Power FET at V<sub>GS</sub>
- V<sub>GS</sub> = Gate drive voltage (V+)
- f<sub>SW</sub> = switching Frequency

Adding a gate resistor to the output of the driver will transfer some of the driver dissipation to the resistor. Another possible solution is to lower the gate driver voltage which also lowers Q<sub>C</sub>.

**Revision History**

The revision history provided is for informational purposes only and is believed to be accurate, but not warranted. Please go to the web to make sure that you have the latest revision.

| DATE             | REVISION | CHANGE   |
|------------------|----------|--|
| October 16, 2015 | FN6798.2 | Updated Ordering Information Table on page 1.<br>Added Revision History and About Intersil sections.<br>Updated POD MDP0027 to M8.15E. |

**About Intersil**

Intersil Corporation is a leading provider of innovative power management and precision analog solutions. The company's products address some of the largest markets within the industrial and infrastructure, mobile computing and high-end consumer markets.

For the most updated datasheet, application notes, related documentation and related parts, please see the respective product information page found at [www.intersil.com](http://www.intersil.com).

You may report errors or suggestions for improving this datasheet by visiting [www.intersil.com/ask](http://www.intersil.com/ask).

Reliability reports are also available from our website at [www.intersil.com/support](http://www.intersil.com/support)

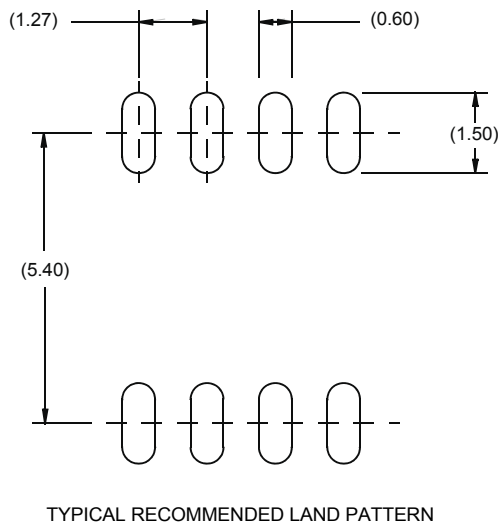
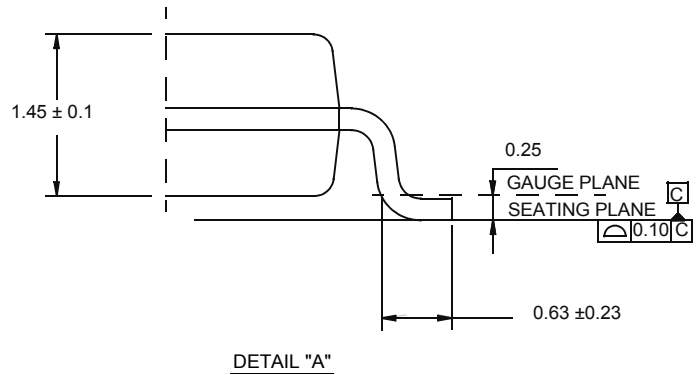
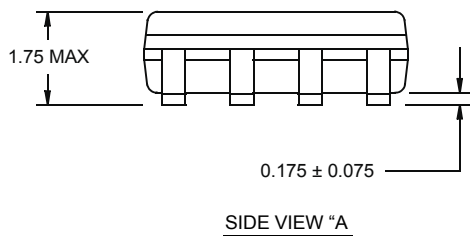
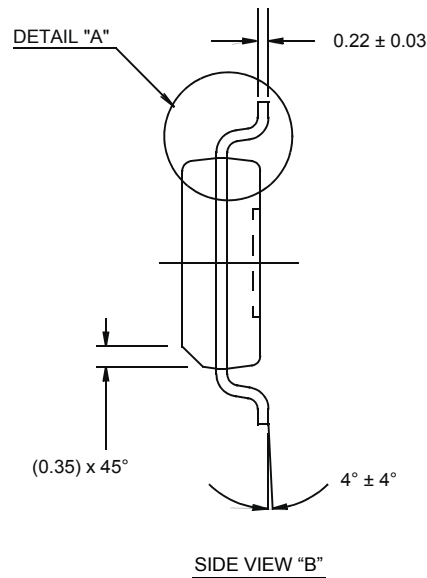
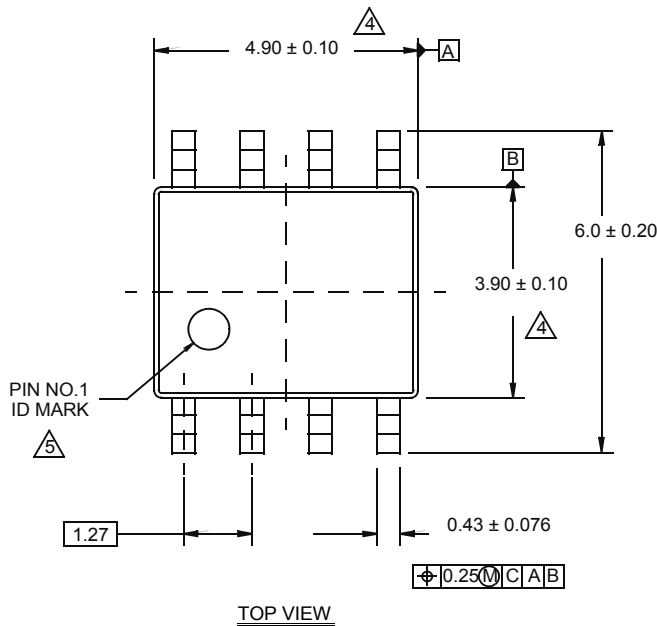


# Package Outline Drawing

## M8.15E

### 8 LEAD NARROW BODY SMALL OUTLINE PLASTIC PACKAGE

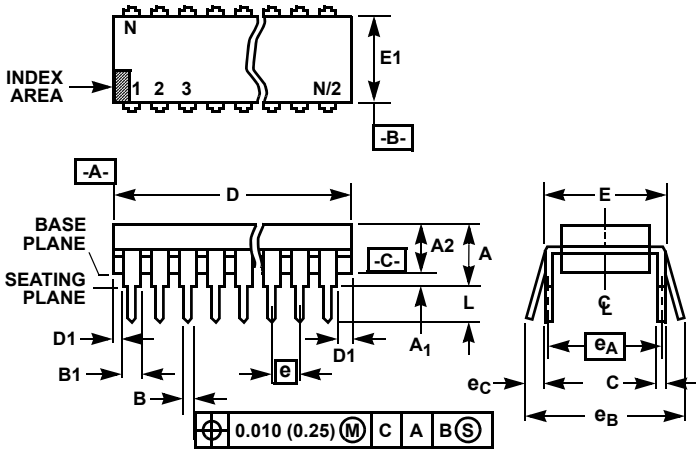
Rev 0, 08/09



**NOTES:**

1. Dimensions are in millimeters.  
Dimensions in ( ) for Reference Only.
2. Dimensioning and tolerancing conform to AMSE Y14.5m-1994.
3. Unless otherwise specified, tolerance : Decimal ± 0.05
4. Dimension does not include interlead flash or protrusions.  
Interlead flash or protrusions shall not exceed 0.25mm per side.
5. The pin #1 identifier may be either a mold or mark feature.
6. Reference to JEDEC MS-012.

## Dual-In-Line Plastic Packages (PDIP)



**NOTES:**

- Controlling Dimensions: INCH. In case of conflict between English and Metric dimensions, the inch dimensions control.
- Dimensioning and tolerancing per ANSI Y14.5M-1982.
- Symbols are defined in the "MO Series Symbol List" in Section 2.2 of Publication No. 95.
- Dimensions A, A1 and L are measured with the package seated in JEDEC seating plane gauge GS-3.
- D, D1, and E1 dimensions do not include mold flash or protrusions. Mold flash or protrusions shall not exceed 0.010 inch (0.25mm).
- E and  $e_A$  are measured with the leads constrained to be perpendicular to datum -C-.
- $e_B$  and  $e_C$  are measured at the lead tips with the leads unconstrained.  $e_C$  must be zero or greater.
- B1 maximum dimensions do not include dambar protrusions. Dambar protrusions shall not exceed 0.010 inch (0.25mm).
- N is the maximum number of terminal positions.
- Corner leads (1, N, N/2 and N/2 + 1) for E8.3, E16.3, E18.3, E28.3, E42.6 will have a B1 dimension of 0.030 - 0.045 inch (0.76 - 1.14mm).

### E8.3 (JEDEC MS-001-BA ISSUE D) 8 LEAD DUAL-IN-LINE PLASTIC PACKAGE

| SYMBOL | INCHES    |       | MILLIMETERS |       | NOTES |
|--------|-----------|-------|-------------|-------|-------|
|        | MIN       | MAX   | MIN         | MAX   |       |
| A      | -         | 0.210 | -           | 5.33  | 4     |
| A1     | 0.015     | -     | 0.39        | -     | 4     |
| A2     | 0.115     | 0.195 | 2.93        | 4.95  | -     |
| B      | 0.014     | 0.022 | 0.356       | 0.558 | -     |
| B1     | 0.045     | 0.070 | 1.15        | 1.77  | 8, 10 |
| C      | 0.008     | 0.014 | 0.204       | 0.355 | -     |
| D      | 0.355     | 0.400 | 9.01        | 10.16 | 5     |
| D1     | 0.005     | -     | 0.13        | -     | 5     |
| E      | 0.300     | 0.325 | 7.62        | 8.25  | 6     |
| E1     | 0.240     | 0.280 | 6.10        | 7.11  | 5     |
| e      | 0.100 BSC |       | 2.54 BSC    |       | -     |
| $e_A$  | 0.300 BSC |       | 7.62 BSC    |       | 6     |
| $e_B$  | -         | 0.430 | -           | 10.92 | 7     |
| L      | 0.115     | 0.150 | 2.93        | 3.81  | 4     |
| N      | 8         |       | 8           |       | 9     |

Rev. 0 12/93

© Copyright Intersil Americas LLC 2008-2015. All Rights Reserved.  
All trademarks and registered trademarks are the property of their respective owners.

For additional products, see [www.intersil.com/en/products.html](http://www.intersil.com/en/products.html)

Intersil products are manufactured, assembled and tested utilizing ISO9001 quality systems as noted in the quality certifications found at [www.intersil.com/en/support/qualandreliability.html](http://www.intersil.com/en/support/qualandreliability.html)

Intersil products are sold by description only. Intersil may modify the circuit design and/or specifications of products at any time without notice, provided that such modification does not, in Intersil's sole judgment, affect the form, fit or function of the product. Accordingly, the reader is cautioned to verify that datasheets are current before placing orders. Information furnished by Intersil is believed to be accurate and reliable. However, no responsibility is assumed by Intersil or its subsidiaries for its use; nor for any infringements of patents or other rights of third parties which may result from its use. No license is granted by implication or otherwise under any patent or patent rights of Intersil or its subsidiaries.

For information regarding Intersil Corporation and its products, see [www.intersil.com](http://www.intersil.com)