

## ISL68222, ISL68233

Digital Dual Output, 5-Phase Controller

The [ISL68222](#) and [ISL68233](#) are digital dual output multiphase ( $X+Y \leq 5$ ) PWM controllers supporting PMBus V1.3/AVSBus interfaces. The controllers can be configured to support any phase assignments up to a maximum of five phases across the two outputs (X and Y). For example, 4+1, 3+2, 3+1, 1+1, or a single output operation as a 5+0 configuration is supported. Increased power density and PMBus V1.3 interface support allow the ISL68222 and ISL68233 to support any demanding power supply requirement.

The ISL68233 with AVSBus complements PMBus by providing a common high-speed interface to accelerate point-to-point communication between the controller and load to statically and dynamically control the processor voltage and deliver a balanced, power efficient design.

The ISL68222 and ISL68233 use the proprietary Renesas digital synthetic current modulation scheme to achieve the industry-best combination of transient response, ease of tuning, and efficiency across the full load range. Diode emulation and automatic phase add/drop features allow you to extract maximum efficiency from the converter regardless of load conditions. You can use the intuitive Renesas PowerNavigator™ software to configure and monitor the device.

With minimal external components, easy configuration, robust fault management, and highly accurate regulation capability, implementing a high-performance, multiphase regulator has never been easier.

### Applications

- DDR memory solutions
- Artificial intelligence/accelerator cards (FPGA, ASIC)
- Network equipment
- Server/storage equipment
- Telecom/datacom equipment
- Point-of-load power supply (memory, DSP, ASIC, FPGA)

### Features

- Advanced linear digital modulation scheme
  - Auto phase add/drop with PFM mode for excellent load vs efficiency profile
  - Dual edge modulation with optional diode braking for faster transient response
  - Excellent  $V_{OUT}$  transition performance
  - Zero latency synthetic current control for excellent high frequency current balance
- Flexible phase assignment from 0 to 5 phases per output
- Up to 2MHz switching frequency operation for high density designs
- Differential remote voltage sensing supports  $\pm 0.5\%$  closed-loop system accuracy over load, line, and temperature
- Highly accurate current sensing for excellent load-line regulation and accurate OCP
  - Supports the full range of Renesas Smart Power Stage (SPS) devices
- Comprehensive fault management enables high reliability systems
  - Pulse-by-pulse (per phase) and total output current limiting
  - Black Box status recording capability with first fault indicator
- Intuitive configuration using [PowerNavigator](#)
- SMBus/PMBus V1.3 compatible
- Up to 16 user configurations stored in device Non-Volatile Memory (NVM)

### Related Literature

For a full list of related documents, visit our website:

- [ISL68222](#) and [ISL68233](#) device pages

## Contents

<b>1. Overview</b>	<b>6</b>
1.1 Typical Applications	6
1.2 Internal Block Diagrams	8
1.3 Ordering Information	10
1.4 Pin Configurations	11
1.5 Functional Pin Descriptions	12
<b>2. Specifications</b>	<b>13</b>
2.1 Absolute Maximum Ratings	13
2.2 Thermal Information	13
2.3 Recommended Operating Conditions	13
2.4 Electrical Specifications	13
<b>3. Initializing the Device</b>	<b>16</b>
3.1 Power-On Reset (POR)	16
3.2 Selecting the PMBus Address	17
3.3 Selecting the User Configurations	17
3.4 Configuring the Device	18
<b>4. Operating the Device</b>	<b>19</b>
4.1 Input Voltage Sensing	19
4.2 Lossless Input Current and Power Sensing	19
4.3 VMON Voltage Sensing	19
4.4 Enabling and Soft-Starting the Device	20
4.5 Disabling the Device	20
4.6 Phase Configuration and Automatic Phase Dropping	20
4.7 Diode Emulation and PFM Operation	21
4.8 Diode Braking	22
4.9 Switching Frequency	22
4.10 Output Current Sensing	22
<b>5. Temperature Sensing</b>	<b>25</b>
5.1 SPS Temperature Sensing	25
5.2 NTC Temperature Sensing	25
5.3 Temperature Compensation	26
<b>6. Fault Monitoring and Protection</b>	<b>27</b>
6.1 Power-Good Signals	27
6.2 Overvoltage/Undervoltage Protection	27
6.3 Output Overcurrent Protection	27
6.4 Smart Power Stage OC Fault Detect	29
6.5 Thermal Protection and nVRHOT	29
6.6 Catastrophic Failure Protection	29
6.7 Black Box Recorder	29
<b>7. Layout and Design Considerations</b>	<b>30</b>
7.1 Pin Noise Sensitivity, Design, and Layout Consideration	30

<b>8.</b>	<b>PMBus Protocol</b>	<b>31</b>
8.1	Send Byte Protocol	31
8.2	Write Byte/Word Protocol	31
8.3	Read Byte/Word Protocol	32
8.4	Group Command Protocol	32
8.5	Alert Response Address	32
<b>9.</b>	<b>PMBus Command Summary</b>	<b>33</b>
9.1	PMBus Use Guidelines	36
9.2	PMBus Data Formats	36
<b>10.</b>	<b>PMBus Command Detail</b>	<b>37</b>
10.1	PAGE (00h)	37
10.2	OPERATION (01h)	38
10.3	ON_OFF_CONFIG (02h)	39
10.4	CLEAR_FAULTS (03h)	39
10.5	PHASE (04h)	40
10.6	PAGE_PLUS_WRITE (05h)	40
10.7	PAGE_PLUS_READ (06h)	41
10.8	WRITE_PROTECT (10h)	41
10.9	CAPABILITY (19h)	42
10.10	SMBALERT_MASK (1Bh)	43
10.11	VOUT_MODE (20h)	43
10.12	VOUT_COMMAND (21h)	44
10.13	VOUT_TRIM (22h)	44
10.14	VOUT_CAL_OFFSET (23h)	45
10.15	VOUT_MAX (24h)	45
10.16	VOUT_MARGIN_HIGH (25h)	46
10.17	VOUT_MARGIN_LOW (26h)	46
10.18	VOUT_TRANSITION_RATE (27h)	47
10.19	VOUT_DROOP (28h)	47
10.20	VOUT_MIN (2Bh)	48
10.21	FREQUENCY_SWITCH (33h)	48
10.22	POWER_MODE (34h)	49
10.23	VIN_ON (35h)	50
10.24	VIN_OFF (36h)	50
10.25	VOUT_OV_FAULT_LIMIT (40h)	51
10.26	VOUT_OV_FAULT_RESPONSE (41h)	52
10.27	VOUT_UV_FAULT_LIMIT (44h)	53
10.28	VOUT_UV_FAULT_RESPONSE (45h)	54
10.29	IOUT_OC_FAULT_LIMIT (46h)	55
10.30	IOUT_OC_FAULT_RESPONSE (47h)	56
10.31	OT_FAULT_LIMIT (4Fh)	57
10.32	OT_FAULT_RESPONSE (50h)	58
10.33	OT_WARN_LIMIT (51h)	59
10.34	UT_FAULT_LIMIT (53h)	59
10.35	UT_FAULT_RESPONSE (54h)	60
10.36	VIN_OV_FAULT_LIMIT (55h)	61
10.37	VIN_OV_FAULT_RESPONSE (56h)	62
10.38	VIN_OV_WARN_LIMIT (57h)	63

10.39	VIN_UV_WARN_LIMIT (58h)	63
10.40	VIN_UV_FAULT_LIMIT (59h)	64
10.41	VIN_UV_FAULT_RESPONSE (5Ah)	65
10.42	IIN_OC_FAULT_LIMIT (5Bh)	66
10.43	IIN_OC_FAULT_RESPONSE (5Ch)	67
10.44	IIN_OC_WARN_LIMIT (5Dh)	68
10.45	TON_DELAY (60h)	68
10.46	TON_RISE (61h)	69
10.47	TOFF_DELAY (64h)	69
10.48	TOFF_FALL (65h)	70
10.49	STATUS_BYTE (78h)	70
10.50	STATUS_WORD (79h)	71
10.51	STATUS_VOUT (7Ah)	72
10.52	STATUS_IOUT (7Bh)	72
10.53	STATUS_INPUT (7Ch)	73
10.54	STATUS_TEMPERATURE (7Dh)	73
10.55	STATUS_CML (7Eh)	74
10.56	STATUS_MFR_SPECIFIC (80h)	75
10.57	READ_VIN (88h)	75
10.58	READ_IIN (89h)	76
10.59	READ_VOUT (8Bh)	76
10.60	READ_IOUT (8Ch)	77
10.61	READ_TEMPERATURE_1 (8Dh)	77
10.62	READ_TEMPERATURE_2 (8Eh)	78
10.63	READ_TEMPERATURE_3 (8Fh)	78
10.64	READ_POUT (96h)	79
10.65	READ_PIN (97h)	79
10.66	PMBUS_REVISION (98h)	80
10.67	MFR_ID (99h)	80
10.68	MFR_MODEL (9Ah)	80
10.69	MFR_REVISION (9Bh)	81
10.70	MFR_DATE (9Dh)	81
10.71	IC_DEVICE_ID (ADh)	81
10.72	IC_DEVICE_REV (AEh)	82
10.73	DMAFIX (C5h)	82
10.74	DMASEQ (C6h)	82
10.75	DMAADDR (C7h)	83
10.76	PEAK_OC_LIMIT (CDh)	83
10.77	PEAK_UC_LIMIT (CEh)	84
10.78	VMON_ON (D0h)	84
10.79	VMON_OFF (D1h)	85
10.80	COMPPROP (DDh)	86
10.81	COMPINTEG (DEh)	87
10.82	COMPIDFF (DFh)	88
10.83	COMPCFB (E0h)	88
10.84	HS_BUS_CURRENT_SCALE (E3h)	89
10.85	PHASE_CURRENT (E4h)	89
10.86	PHASE_TEMPERATURE (E5h)	90
10.87	PEAK_OCUC_COUNT (E9h)	90
10.88	SLOW_IOUT_OC_LIMIT (EAh)	91

---

10.89	FAST_OC_FILT_COUNT (EBh) .....	91
10.90	SLOW_OC_FILT_COUNT (ECh) .....	92
10.91	LOOPCFG (F0h) .....	93
10.92	RESTORE_CFG (F2h) .....	94
<b>11.</b>	<b>Adaptive Voltage Scaling (AVSBus) Functionality and Operation .....</b>	<b>95</b>
<b>12.</b>	<b>AVSBus Command Detail .....</b>	<b>96</b>
12.1	TARGET RAIL VOLTAGE (0h) .....	96
12.2	VOUT TRANSITION RATE (1h) .....	96
12.3	RAIL CURRENT (2h) .....	97
12.4	RAIL TEMPERATURE (3h) .....	97
12.5	RESET RAIL VOLTAGE (4h) .....	98
12.6	POWER MODE (5h) .....	99
12.7	AVSBus STATUS (Eh) .....	100
12.8	AVSBus VERSION (Fh) .....	100
<b>13.</b>	<b>Revision History .....</b>	<b>101</b>
<b>14.</b>	<b>Package Outline Drawing .....</b>	<b>102</b>

# 1. Overview

## 1.1 Typical Applications

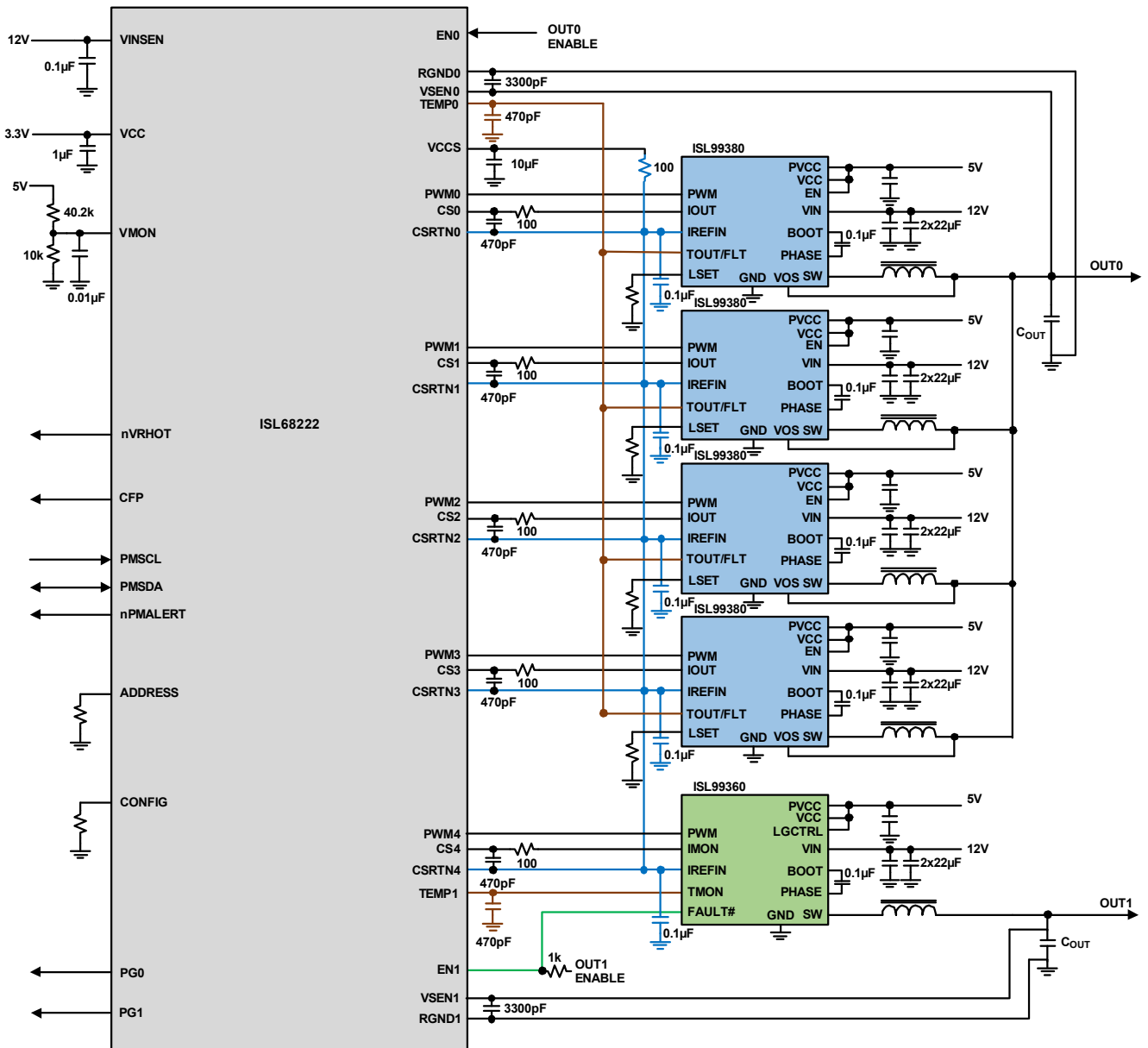


Figure 1. ISL68222 4+1 Solution Using Smart Power Stage

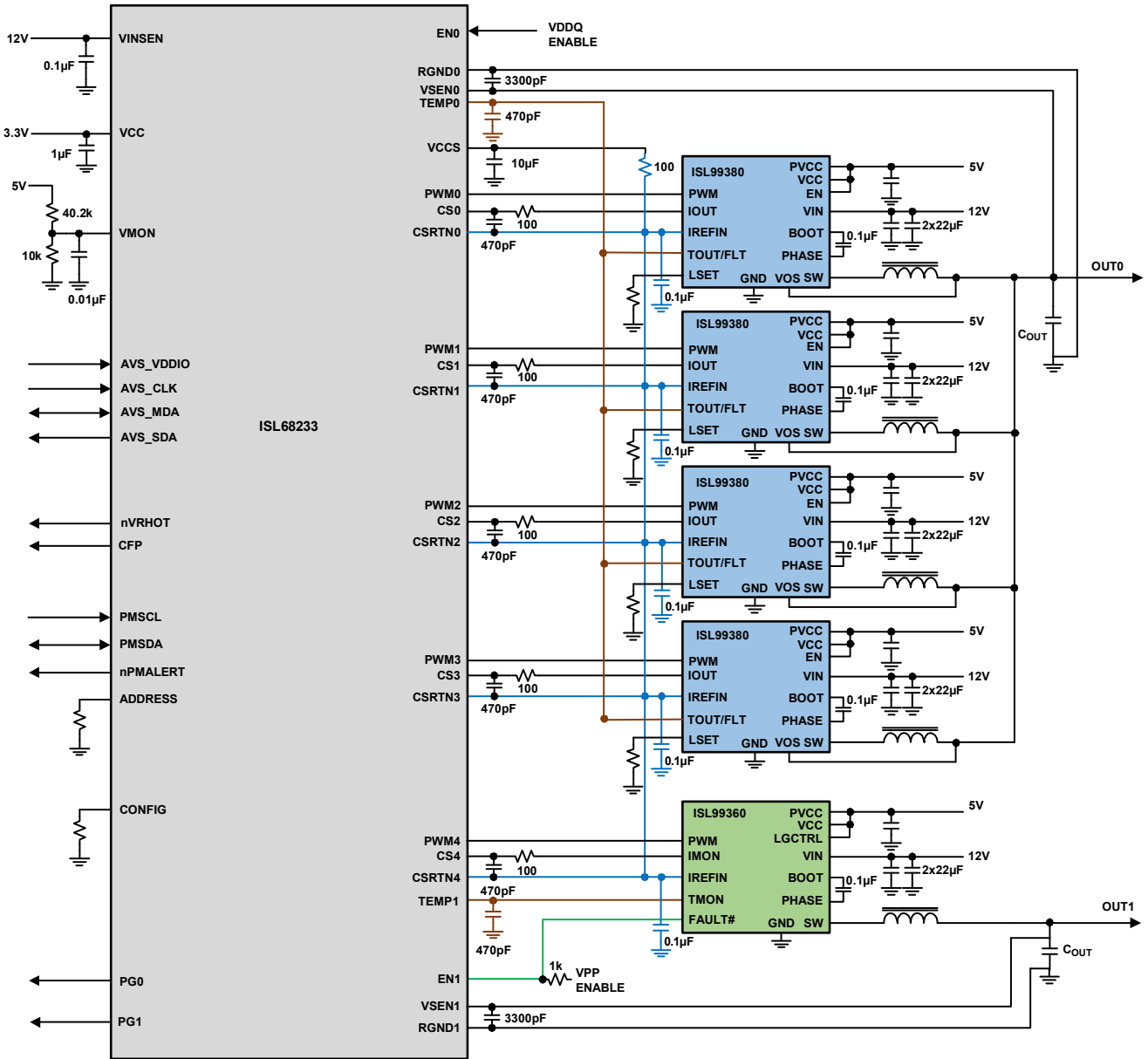


Figure 2. ISL68233 4+1 Solution Using Smart Power Stage

### 1.2 Internal Block Diagrams

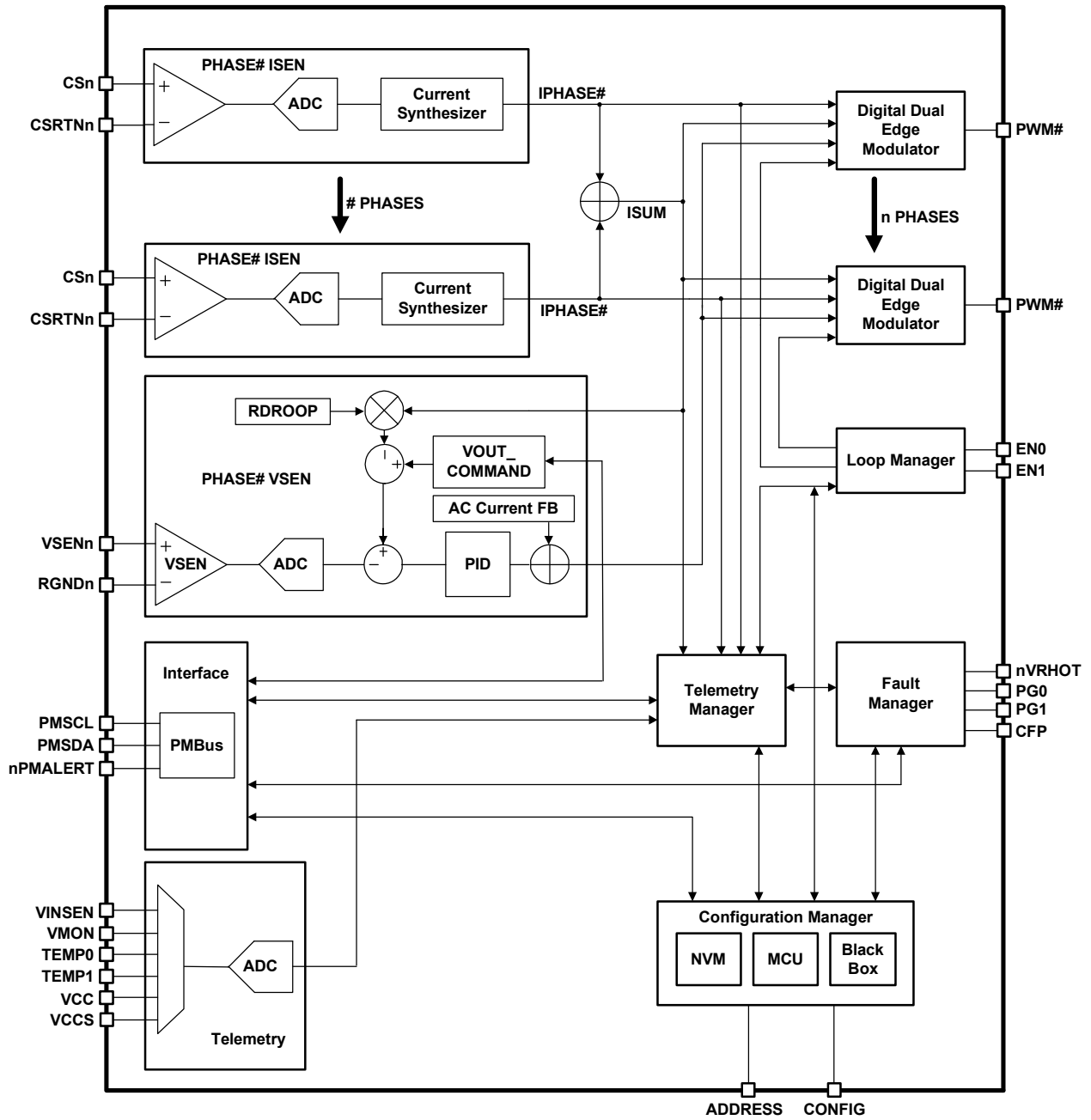


Figure 3. ISL68222 Internal Block Diagram



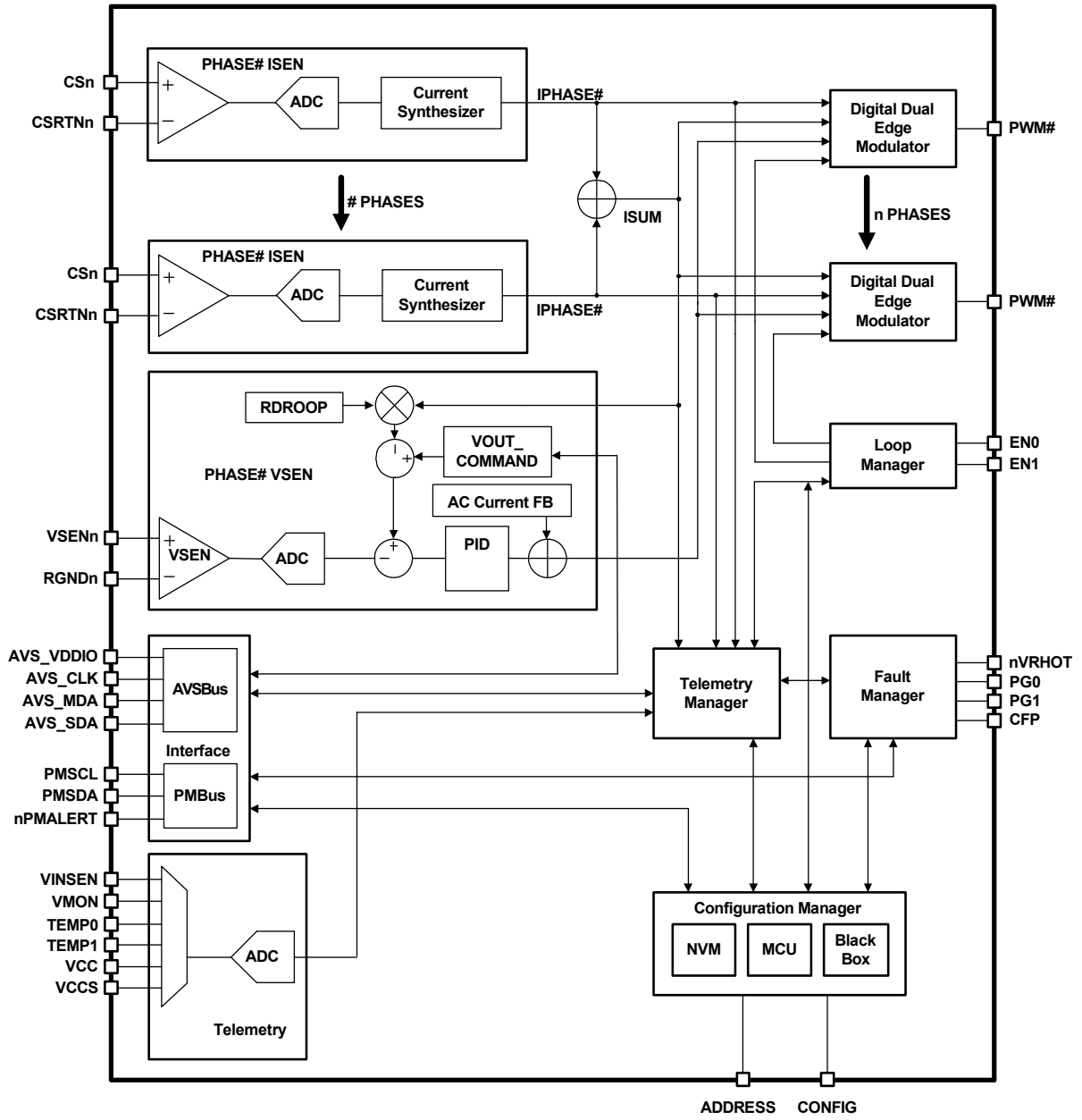


Figure 4. ISL68233 Internal Block Diagram

### 1.3 Ordering Information

Part Number (Notes 2, 3)	Part Marking	Junction Temperature (°C)	Tape and Reel (Units) (Note 1)	Package (RoHS Compliant)	Pkg. Dwg. #
ISL68222IRAZ	ISL68222 IRZ	-40 to +125	-	40 Ld 5x5 QFN	L40.5x5D
ISL68222IRAZ-T	ISL68222 IRZ	-40 to +125	6k	40 Ld 5x5 QFN	L40.5x5D
ISL68233IRAZ	ISL68233 IRZ	-40 to +125	-	40 Ld 5x5 QFN	L40.5x5D
ISL68233IRAZ-T	ISL68233 IRZ	-40 to +125	6k	40 Ld 5x5 QFN	L40.5x5D

**Notes:**

- See [TB347](#) for details about reel specifications.
- These Pb-free plastic packaged products employ special Pb-free material sets, molding compounds/die attach materials, and 100% matte tin plate plus anneal (e3 termination finish, which is RoHS compliant and compatible with both SnPb and Pb-free soldering operations). Pb-free products are MSL classified at Pb-free peak reflow temperatures that meet or exceed the Pb-free requirements of IPC/JEDEC J-STD-020.
- For Moisture Sensitivity Level (MSL), see the [ISL68222](#) and [ISL68233](#) device pages. For more information about MSL, see [TB363](#).

**Table 1. Key Differences Between Family of Parts**

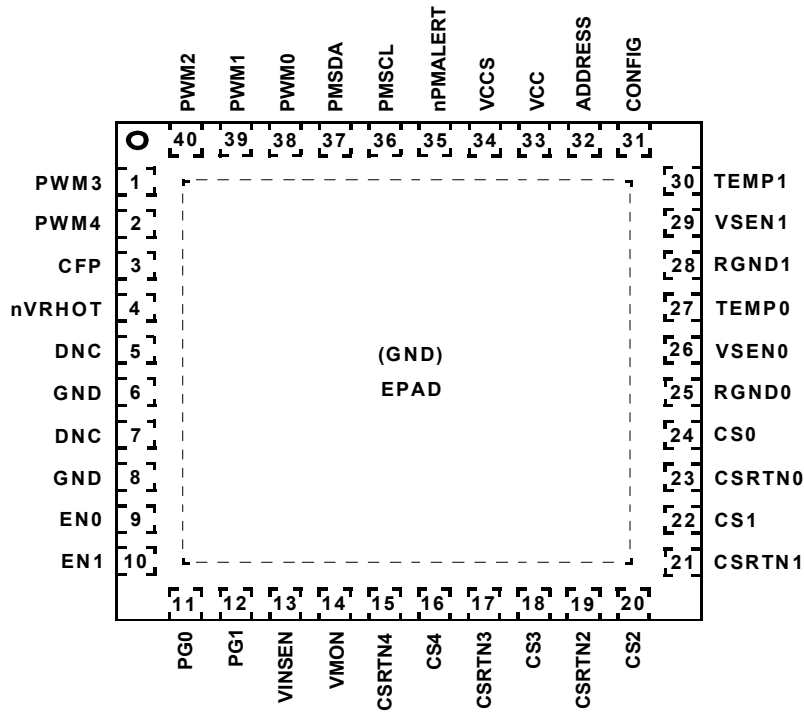
Part Number	Phase Configuration Output X/Output Y/Output Z	Specification Supported	Package
ISL68222	$X+Y \leq 5$	PMBus	QFN 40 Ld, 5x5mm
ISL68233	$X+Y \leq 5$	AVSBus/PMBus	QFN 40 Ld, 5x5mm
ISL68223	$X+Y \leq 4$	PMBus	QFN 40 Ld, 5x5mm
ISL68239	$X+Y+Z \leq 12$	AVSBus/PMBus	QFN 68 Ld, 8x8mm
ISL68236	$X+Y \leq 9$	AVSBus/PMBus	QFN 52 Ld, 6x6mm
ISL68229	$X+Y+Z \leq 12$	PMBus	QFN 68 Ld, 8x8mm
ISL68227	$X \leq 12$	PMBus	QFN 60 Ld, 7x7mm
ISL68226	$X+Y+Z \leq 8$	PMBus	QFN 60 Ld, 7x7mm
ISL68225	$X+Y \leq 9$	PMBus	QFN 52 Ld, 6x6mm
ISL68224	$X+Y+Z \leq 6$	PMBus	QFN 52 Ld, 6x6mm
ISL68221	$X+Y+Z \leq 3$	PMBus	QFN 40 Ld, 5x5mm
ISL68220	$X+Y \leq 2$	PMBus	QFN 32 Ld, 4x4mm

**Table 2. Power Stage Recommendations**

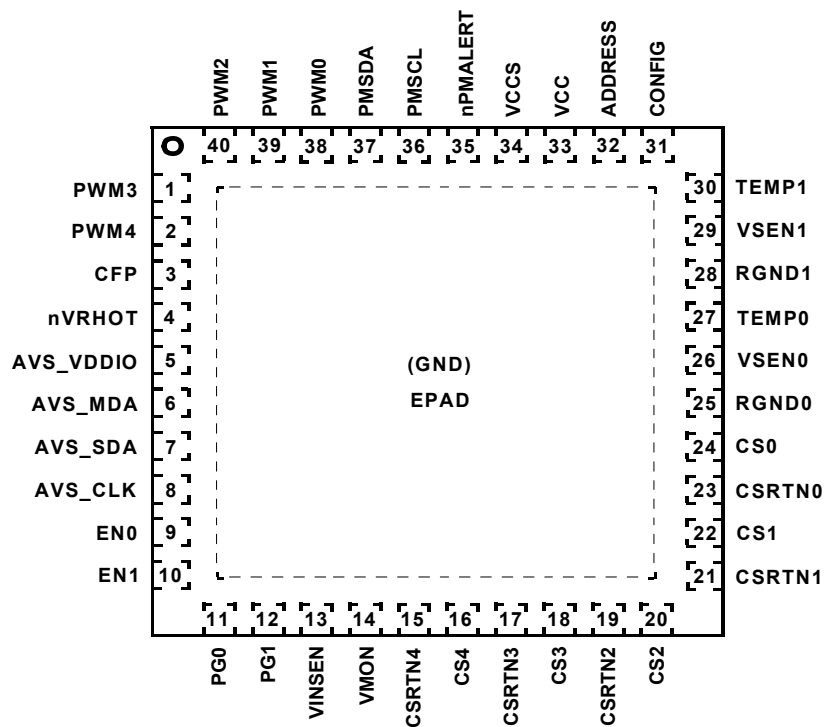
Part Number	Rating (A)	Type	TOUT	TREF	REFIN	FAULT#	Package Dwg. #	Pin-to-Pin Compatible	Typically Used With
<b>5.0V PWM Power Stage Family</b>									
ISL99227B	60	SPS	Yes	No	Yes	Yes	L32.5x5V	N/A	Phase Doublers: ISL6617A
ISL99360B	60	SPS	Yes	No	Yes	Yes	L32.5x5W	N/A	
<b>3.3V PWM Power Stage Family</b>									
ISL99227	60	SPS	Yes	No	Yes	Yes	L32.5x5V	N/A	Full Digital Controllers: ISL68/69xxx
ISL99360	60	SPS	Yes	No	Yes	Yes	L32.5x5W	N/A	
ISL99380	80	SPS	Yes	No	Yes	No	L39.5x6A	ISL99390	
ISL99390	90	SPS	Yes	No	Yes	No	L39.5x6A	ISL99380	ISL682xx/692xx controllers that support low power state PWM protocol
ISL99392	90	SPS	Yes	Yes	No	Yes	L39.5x6A	N/A	

### 1.4 Pin Configurations

ISL68222 (40 Ld QFN)  
Top View



ISL68233 (40 Ld QFN)  
Top View



## 1.5 Functional Pin Descriptions

See [Table 4 on page 17](#) for design layout considerations.

ISL68222 Pin Number	ISL68233 Pin Number	Pin Name	Description
2, 1, 40, 39, 38	2, 1, 40, 39, 38	PWM[4:0]	Pulse-Width Modulation (PWM) outputs. Connect these pins to the PWM input pins of 3.3V logic-compatible smart power stages, driver ICs, or DrMOS.
3	3	CFP	Catastrophic fault protection output. This active, high-logic signal can be configured to alert the host to major fault events.
4	4	nVRHOT	Thermal warning indicator. This open-drain output is pulled low if a sensed over-temperature occurs at the TEMP pins.
5, 7	-	DNC	Do not connect any signals to these pins.
6, 8	-	GND	Connect to ground.
-	5	AVS_VDDIO	AVSBus reference voltage input. Leave open if not used.
-	6	AVS_MDA	AVSBus data input pin. Connect to ground if not used.
-	7	AVS_SDA	AVSBus data output pin. Leave open if not used.
-	8	AVS_CLK	Synchronous clock signal input of the AVSBus. Connect to ground if not used.
10, 9	10, 9	EN[1:0]	Input pin used for enable control of outputs. Connect to ground if not used
12, 11	12, 11	PG[1:0]	Open-drain, power-good indicator for outputs.
13	13	VINSEN	Input voltage sense pin for the $V_{IN}$ supply voltage.
14	14	VMON	Input voltage sense pin for the driver supply voltage.
15, 17, 19, 21, 23	15, 17, 19, 21, 23	CSRTN[4:0]	The CS and CSRTN pins are current-sense inputs to the individual phase differential amplifiers. Unused phases should have their respective current-sense inputs grounded.
16, 18, 20, 22, 24	16, 18, 20, 22, 24	CS[4:0]	These pins support smart power stage, DCR, and resistor sensing. Connection details depend on the current-sense method chosen.
28, 25	28, 25	RGND[1:0]	Negative differential voltage sense input for the outputs. Connect to the negative remote sensing point. Connect to ground if not used.
29, 26	29, 26	VSEN[1:0]	Positive differential voltage sense input for the outputs. Connect to the positive remote sensing point. Connect to ground if not used.
30, 27	30, 27	TEMP[1:0]	Input pin for sensing external temperature measurement at outputs. Supports NTC-based temperature sensing and smart power stage sensing. Connect to ground if not used.
31	31	CONFIG	Configuration ID selection pin. Attach a resistor from this pin to GND.
32	32	ADDRESS	SMBus/PMBus address selection pin. Attach a resistor from this pin to GND.
33	33	VCC	Chip primary bias input. Connect this pin directly to a +3.3V supply with a 1 $\mu$ F or greater MLCC bypass capacitor.
34	34	VCCS	Internally generated 1.2V LDO logic supply from VCC. Decouple with a 4.7 $\mu$ F or greater MLCC (X5R or better).
35	35	nPMALERT	Open-drain output pin for alerting the SMBus host.
36	36	PMSCL	Serial clock signal pin for the SMBus interface.
37	37	PMSDA	Serial data signal pin for the SMBus interface.
EPAD	EPAD	GND	The package pad serves as the GND return for all IC functions. Connect directly to the system GND plane with multiple vias.

## 2. Specifications

### 2.1 Absolute Maximum Ratings

Parameter	Pins	Minimum	Maximum	Unit
Input Voltage Range	VCC		+4.3	V
	VCCS		+1.6	V
	VINSEN0	GND - 0.3	18	V
	All Other Pins	GND - 0.3	$V_{CC} + 0.3$	V
ESD Rating	Pins	Value		Unit
Human Body Model (Tested per JS-001-2017)	AVS_MDA, AVS_SDA	1		kV
	All Other Pins	2		kV
Charged Device Model (Tested per JS-002-2014)	All Pins	1		kV
Latch-Up (Tested per JESD78E; Class 2, Level A)	All Pins	100		mA

**CAUTION:** Do not operate at or near the maximum ratings listed for extended periods of time. Exposure to such conditions can adversely impact product reliability and result in failures not covered by warranty.

### 2.2 Thermal Information

Thermal Resistance (Typical)	$\theta_{JA}$ (°C/W)	$\theta_{JC}$ (°C/W)
40 Ld 5x5 QFN Package (Notes 4, 5)	33	2.5

**Notes:**

- $\theta_{JA}$  is measured in free air with the component mounted on a high-effective thermal conductivity test board with direct attach features. See [TB379](#).
- For  $\theta_{JC}$ , the case temperature location is the center of the exposed metal pad on the package underside.

Parameter	Minimum	Maximum	Unit
Maximum Junction Temperature		+150	°C
Maximum Storage Temperature Range	-65	+150	°C
Pb-Free Reflow Profile	see <a href="#">TB493</a>		

### 2.3 Recommended Operating Conditions

Parameter	Minimum	Maximum	Unit
Supply Voltage, $V_{CC}$	3.135	3.465	V
Junction Temperature	-40	+125	°C
Output Voltage	0	3.05	V

### 2.4 Electrical Specifications

Recommended operating conditions,  $V_{CC} = 3.3V$ , unless otherwise specified. **Boldface limits apply across the operating ambient temperature range -40°C to +85°C.**

Parameter	Test Conditions	Min (Note 7)	Typ	Max (Note 7)	Unit
<b><math>V_{CC}</math> Supply Current</b>					
Nominal Supply Current	$V_{CC} = 3.3V_{DC}$ ; ENx = $V_{IH}$ , all rails and phases operating, $f_{SW} = 600kHz$		45		mA
Shutdown Supply Current	$V_{CC} = 3.3V_{DC}$ ; ENx = 0V, no switching		8		mA
<b>VCCS LDO Supply</b>					
Output Voltage			1.22		V
Maximum Current Capability	Excluding internal load		20		mA

Recommended operating conditions,  $V_{CC} = 3.3V$ , unless otherwise specified. **Boldface limits apply across the operating ambient temperature range -40°C to +85°C. (Continued)**

Parameter	Test Conditions	Min (Note 7)	Typ	Max (Note 7)	Unit
<b>Power-On Reset (POR)</b>					
$V_{CC}$ Brownout Threshold			2.95		V
VCCS Rising POR Threshold			1		V
VCCS Falling POR Threshold			0.9		V
Enable Input High Level		<b>2.0</b>			V
Enable Input Low Level				<b>0.8</b>	V
<b>Configurations Stored in Memory</b>					
Number of Configuration Write Slots		<b>28</b>			
Number of Unique Configurations Stored		<b>16</b>			
<b>POR to Initialization</b>					
POR to Initialization Complete Time			15		ms
<b>Output Voltage Characteristics</b>					
System Accuracy	Note 6, closed loop $V_{OUT}$ set-point = 1.00V to 3.05V	<b>-0.5</b>		<b>0.5</b>	%
	Note 6, closed loop $V_{OUT}$ set-point = 0.8V to 0.999V	<b>-5</b>		<b>5</b>	mV
	Note 6, closed loop $V_{OUT}$ set-point = 0.25V to 0.799V	<b>-8</b>		<b>+8</b>	mV
<b>Voltage Sense Amplifier</b>					
Open Sense Current	Only at VSEN open detection during initialization period		220		$\mu A$
Input Impedance (VSEN - RGND)			140		k $\Omega$
Maximum Common-Mode Input			$V_{CC} - 0.2$		V
Differential Input Range (VSEN - RGND)				<b>3.05</b>	V
<b>Output Current-Sense and Overcurrent Protection</b>					
Current-Sense Accuracy	SPS configuration	<b>-1</b>		<b>1</b>	%
Average Overcurrent Threshold Resolution			0.1		A
Cycle-by-Cycle Current Limiting Threshold Resolution			0.4		A
<b>Digital Droop</b>					
Droop Resolution			0.01		mV/A
<b>Oscillators</b>					
Accuracy of Switching Frequency Setting			$\pm 2$		%
Switching Frequency Range		<b>0.2</b>		<b>2.0</b>	MHz
<b>Soft-Start Rate and <math>V_{OUT}</math> Transition Rate</b>					
Minimum Soft-Start Ramp Rate	Programmable minimum rate		0.01		mV/ $\mu s$
Maximum Soft-Start Ramp Rate	Programmable maximum rate		100		mV/ $\mu s$
Soft-Start Ramp Rate Accuracy			$\pm 2$		%
Minimum $V_{OUT}$ Transition Rate			0.01		mV/ $\mu s$
Maximum Fast $V_{OUT}$ Transition Rate			100		mV/ $\mu s$
$V_{OUT}$ Transition Rate Accuracy		<b>-4</b>		<b>4</b>	%

Recommended operating conditions,  $V_{CC} = 3.3V$ , unless otherwise specified. **Boldface limits apply across the operating ambient temperature range -40°C to +85°C. (Continued)**

Parameter	Test Conditions	Min (Note 7)	Typ	Max (Note 7)	Unit
<b>PWM Output (PWM[4:0])</b>					
PWMx Output High Level	$I_{OUT} = 4mA$	$V_{CC} - 0.4$			V
PWMx Output Low Level	$I_{OUT} = 4mA$			<b>0.4</b>	V
PWM Tri-State Leakage (pin forced high)	$V_{PWM} = V_{CC}$			<b>1</b>	$\mu A$
PWM Tri-State Leakage (pin forced low)	$V_{PWM} = 0V$	<b>-1</b>			$\mu A$
<b>Thermal Monitoring and Protection</b>					
Temperature Sensor Range		<b>-50</b>		<b>150</b>	$^{\circ}C$
Temperature Sensor Accuracy	SPS configuration		$\pm 4.5$		%
nVRHOT Output Low Impedance			9		$\Omega$
<b>Power-Good and Protection Monitors</b>					
PG Output Low Voltage	$I_{OUT} = 4mA$ load			<b>0.2</b>	V
PG Leakage Current	With a pull-up resistor externally connected to VCC		5		$\mu A$
Overvoltage Protection Threshold Resolution			1		mV
Undervoltage Protection Threshold Resolution			1		mV
<b>Input Voltage-Sense and Catastrophic Failure Protection (CFP) Output</b>					
Input Voltage Accuracy	VINSEN to ADC accuracy		$\pm 2.5$		%
Input Overvoltage Threshold Resolution			16		mV
CFP Output High Voltage	$I_{OUT} = 8mA$	$V_{CC} - 0.4$			V
CFP Output Low Voltage	$I_{OUT} = 8mA$			<b>0.4</b>	V
<b>AVSBus</b>					
AVSBus VDDIO Input Voltage Range		0.9		3.63	V
AVSBus CLK, MDA Input High Level		<b><math>0.6 * V_{DDIO}</math></b>			V
AVSBus CLK, MDA Input Low Level				<b><math>0.4 * V_{DDIO}</math></b>	V
AVSBus SDA Output High Level		<b><math>0.8 * V_{DDIO}</math></b>			V
AVSBus SDA Output Low Level				<b><math>0.2 * V_{DDIO}</math></b>	V
AVSBus CLK Frequency Range		<b>5</b>		<b>50</b>	MHz
<b>SMBus/PMBus</b>					
nPMALERT, PMSDA Output Low Level	$I_{OUT} = 20mA$			<b>0.4</b>	V
PMSCL, PMSDA Input High Level		<b>1.35</b>			V
PMSCL, PMSDA Input Low Level				<b>0.8</b>	V
PMSCL, PMSDA Input Hysteresis			80		mV
PMSCL Frequency Range		<b>0.01</b>		<b>2.00</b>	MHz

**Notes:**

- These parts are designed and adjusted for accuracy with all errors in the voltage loop included. Verified by design and/or characterization.
- Compliance to datasheet limits is assured by one or more methods: production test, characterization, and/or design.

### 3. Initializing the Device

#### 3.1 Power-On Reset (POR)

Initialization begins after  $V_{CC}$  crosses its rising POR threshold. When POR conditions are met, basic digital subsystem integrity checks begin. During this process, the controller starts the telemetry subsystem, configures its PMBus address according to the ADDRESS pin resistor value, loads the selected user configuration from NVM as indicated by the CONFIG pin resistor value, checks fault status, and prepares for regulation. The PWM pins are held in tri-state until the device is commanded to regulate. [Figure 5](#) shows the device initialization sequence.

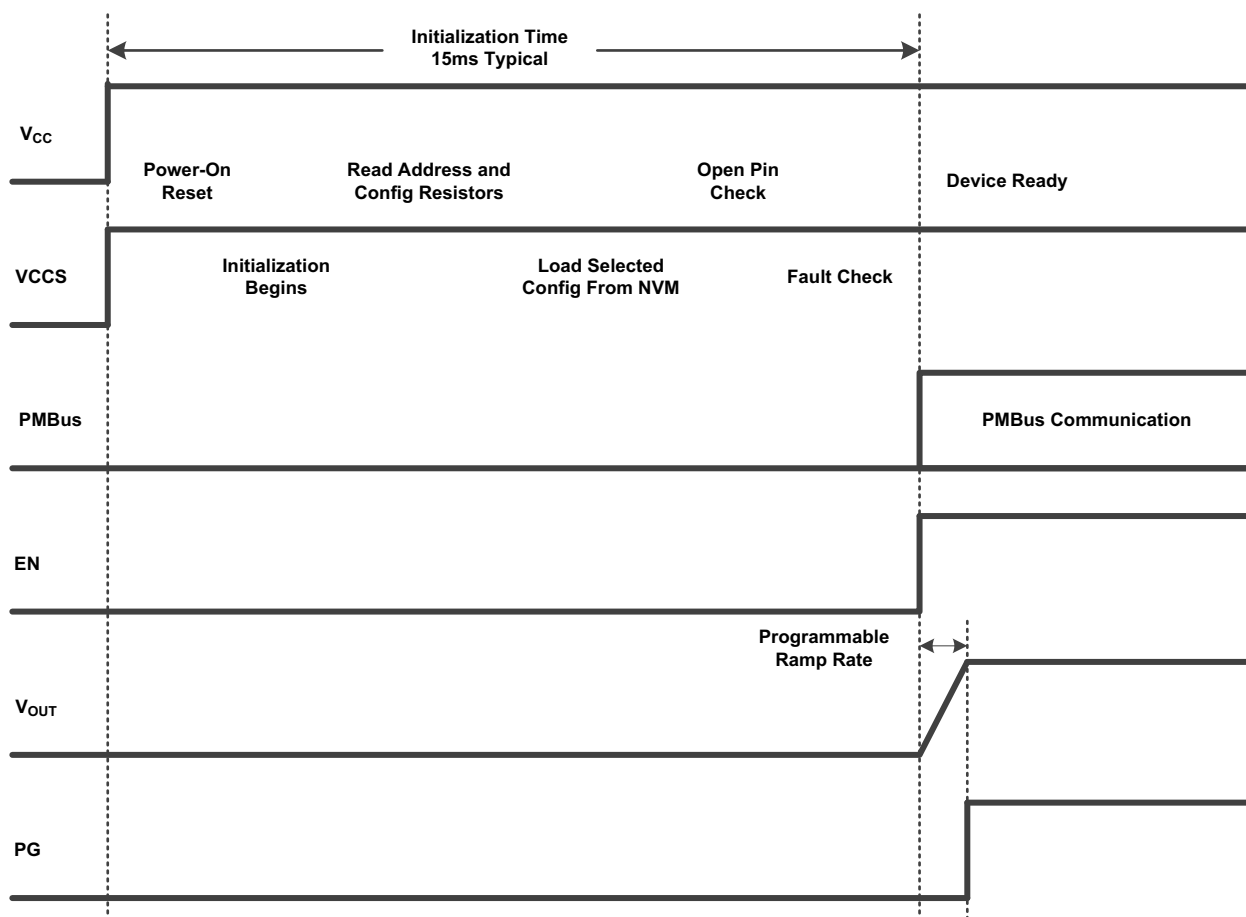


Figure 5. Simplified PMBus Initialization Timing Diagram



### 3.2 Selecting the PMBus Address

A resistor reader selects the PMBus slave address. The ADDRESS pin reads the value of a resistor connected to GND to determine the PMBus address to use during host communication. [Table 3](#) shows the  $R_{ADDRESS}$  values to specify the PMBus slave addresses (7-bit).

**Table 3. Resistor Value to PMBus Address Map**

R Value ( $\Omega$ )	PMBus Address	R Value ( $\Omega$ )	PMBus Address
0	60	5230	51
162	61	5900	52
316	62	6650	53
487	63	7500	54
681	64	8450	55
887	65	9530	56
1130	66	10700	57
1370	67	12100	58
1650	45	13700	59
1960	46	15400	5A
2320	47	17400	5B
2670	4C	19600	5C
3090	4D	22100	5D
3570	4E	24300	5E
4120	4F	27400	5F
4640	50	30100	68

### 3.3 Selecting the User Configurations

At power-up, a user configuration is loaded for operation. The CONFIG pin reads the value of a resistor connected to GND to determine which user configuration is loaded. The ISL68222 and ISL68233 support 16 distinct configuration identifiers. [Table 4](#) provides the  $R_{CONFIG}$  value corresponding to each configuration identifier. A total of 28 one-time programmable non-volatile memory locations are available to store new user configurations or overwrite existing ones. With this flexibility, all 16 unique configurations can be written with 12 available overwrites, one configuration ID can be written up to 28 times, or any combination of configuration IDs can be written until the 28 write limit is reached. Only the most recent configuration for a given configuration ID can be loaded. When all 28 memory locations have been written, the ISL68222 and ISL68233 no longer accept attempts to write to NVM. PowerNavigator provides a simple interface to store and load configurations.

**Table 4. Resistor Value to CONFIG ID Map**

R Value ( $\Omega$ )	Configuration ID	R Value ( $\Omega$ )	Configuration ID
0	0	1650	8
162	1	1960	9
316	2	2320	10
487	3	2670	11
681	4	3090	12
887	5	3570	13
1130	6	4120	14
1370	7	4640	15

### 3.4 Configuring the Device

Configure the ISL68222 and ISL68233 to generate a configuration file using PowerNavigator and either directly load to the device RAM or program to the device NVM. During device initialization, the IC attempts to load a configuration from NVM. If no configuration is found, the device remains in a wait state with the PWM pins tri-stated. The device ignores attempts to enable and waits until a configuration is directly loaded using PowerNavigator. The IC features and functions described in this datasheet are all configured using PowerNavigator. The datasheet provides a fundamental understanding of device behavior and design information. PowerNavigator provides additional detail about the configuration process.

## 4. Operating the Device

After the ISL68222 and ISL68233 initialize and a configuration is loaded, they are ready for operation.

The ISL68222 and ISL68233 have several performance enhancing features that enable them to meet the most stringent voltage regulation and efficiency demands. The synthetic current modulator provides excellent transient response to support the latest generation of ASICs and CPUs. Automatic phase dropping, diode emulation, and PFM operation improve efficiency across the load range. The ISL68222 and ISL68233 support Smart Power Stage (SPS) current sense and DCR/resistor current sense to enable optimal design. The devices also support a full complement of high-resolution telemetry, including per-phase temperature sense when paired with select Renesas SPS devices. The following sections provide more detail about using these features.

### 4.1 Input Voltage Sensing

Input voltage is monitored using the VINSEN pin. Connect the VINSEN pin as shown in [Figure 6](#).

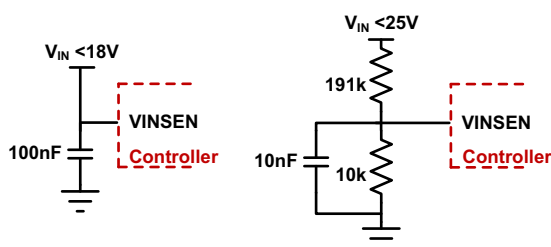


Figure 6. Input Voltage Sense Configuration

Input voltage is monitored continuously, and regulation is stopped anytime the sensed input voltage falls outside the boundaries established by configuration settings associated with the parameters  $V_{IN\ ON}$ ,  $V_{IN\ OFF}$ ,  $V_{IN\ Overvoltage\ Fault\ Limit}$ , and  $V_{IN\ Undervoltage\ Fault\ Limit}$ .

### 4.2 Lossless Input Current and Power Sensing

Input current telemetry is provided per rail using an input current synthesizer. By using the ability of the ISL68222 and ISL68233 to precisely determine their operational conditions, the input current can be synthesized to a high degree of accuracy without the need for a lossy sense resistor. With a precise knowledge of input current and voltage, the input power can be computed.

### 4.3 VMON Voltage Sensing

The VMON input pin provides a secondary input voltage sense with several selectable voltage ranges. The VMON input pin can be used to inhibit rail operation when the sensed voltage falls outside the boundary established by the configuration settings that are associated with the parameters  $VMON\_ON$  and  $VMON\_OFF$ . If a rail is prevented from operating due to a VMON excursion, the rail restarts if the sensed voltage returns to the specified range. Use of this feature is optional for each rail. A typical use case for this voltage sensing feature is monitoring the bias supply voltage associated with the power stages and preventing operation if this voltage is below the configured range. Connection of the VMON pin for sensing the 5V SPS bias voltage is shown in [Figure 7](#).

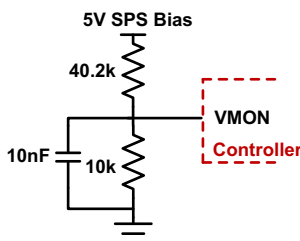


Figure 7. VMON Configuration

#### 4.4 Enabling and Soft-Starting the Device

The ISL68222 and ISL68233 outputs can be enabled using the enable pin or PMBus. Enable method selection is configured in PowerNavigator on a per-rail basis. The ISL68222 and ISL68233 begin their soft-start sequence when they are commanded to regulate an output. Soft-start moves  $V_{OUT}$  smoothly to the programmed  $V_{OUT\_COMMAND}$ . Soft-start timing is programmed using the [TON\\_DELAY \(60h\)](#) and [TON\\_RISE \(61h\)](#) PMBus commands.

If a pre-existing voltage bias exists on the output, the PWM signals are held in tri-state until the soft-start ramp reaches the prebias level. The tri-state prevents the converter from sinking current and pulling the prebias down. No special configuration is required to enable this operation.

#### 4.5 Disabling the Device

The ISL68222 and ISL68233 can be configured to disable in two ways:

- **Immediate OFF:** Immediately ceases regulation and tri-states PWM pins.
- **Soft OFF:** Actively ramps the output voltage down to 0V before ceasing activity as programmed in [TOFF\\_DELAY \(64h\)](#) and [TOFF\\_FALL \(65h\)](#) PMBus commands.

#### 4.6 Phase Configuration and Automatic Phase Dropping

The ISL68222 and ISL68233 support two regulated outputs that control their five phases. Each rail is capable of controlling up to five phases, but the rails can be configured for fewer phases. Unused phases should have their CS and CSRTN pins grounded.

The ISL68222 and ISL68233 support Automatic Phase Dropping (APD) to optimize efficiency across the load range. [Figure 8](#) shows the typical characteristics of efficiency vs load current as the phase count is varied. The diagram shows that for a typical multiphase system, optimal efficiency is achieved by using fewer phases as the load current decreases.

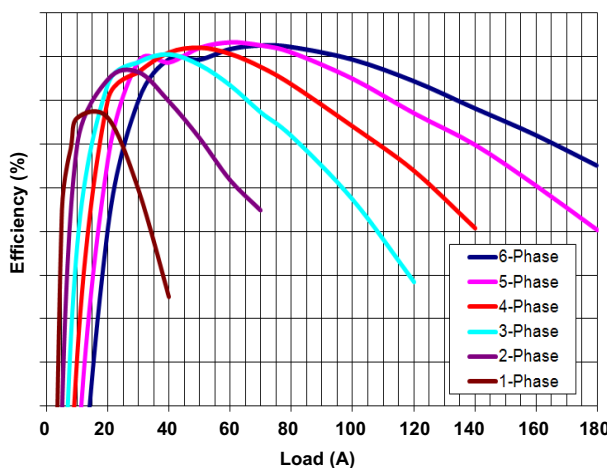


Figure 8. Efficiency vs Phase Number

The ISL68222 and ISL68233 continuously monitor output current, and if APD is enabled, the devices drop or add phases from use as the load current varies.

Phases are dropped one at a time with a user-programmed delay between drop events. For example, if the delay is set to 1ms, five phases are active, and the load suddenly drops to a level needing only one phase; the ISL68222 and ISL68233 begin by dropping a single phase after 1ms. An additional phase is dropped each millisecond until only one phase remains active. On Rail 0, phases are dropped beginning with the highest assigned phase. On Rail 1, phases are dropped beginning with the lowest assigned phase.

Phases are automatically returned to service when load conditions require more phases. The phases are returned to service in the opposite order they were dropped. Conditions that result in phase adding include increased load current, rapid change sensed on the output voltage, and  $V_{OUT}$  transition events. When rapid change is sensed on

the output voltage, the Fast Phase Add function prepares all dropped phases for activation so there is no delay if all phases are needed to support a load transient.

Any command to change the output voltage set point uses all phases, including  $V_{OUT}$  transition events. After the output voltage change is complete, phases begin dropping as configured.

To ensure dropped phases have sufficient bootstrap capacitor charge to turn on the high-side MOSFET after a long period of inactivity, a bootstrap refresh function periodically turns on the low-side MOSFET of each dropped phase to refresh the bootstrap capacitor.

To produce the most optimal efficiency across a wide range of output loading, the modulator supports automatic dropping or adding of phases and diode emulation (in a single-phase state). Use of APD and diode emulation are optional. If automatic phase dropping is enabled, the number of active phases at any time is determined solely by load current.

#### 4.7 Diode Emulation and PFM Operation

As described in [Phase Configuration and Automatic Phase Dropping](#), the ISL68222 and ISL68233 support APD to optimize phase usage as load demand decreases. When the regulator drops to 1-phase operation, it supports diode emulation and Pulse Frequency Modulation (PFM) operation to further maximize efficiency performance. Traditionally, use of such efficiency boosting techniques have come at the expense of transient response, but the ISL68222 and ISL68233 are able to meet all transient demands directly from diode emulation/PFM operation.

Diode emulation and PFM operation are supported when a single phase is active. If constant frequency operation is needed at light loads, the feature can be disabled. If enabled, the low-side MOSFET conducts when the current is flowing from source-to-drain and does not allow a reverse current, emulating an ideal diode. As [Figure 9](#) shows, when the inductor current is positive, the LGATE is held on and allows current to flow in the low resistance channel of the LFET. When current reaches zero, the LFET is turned off to prevent a reverse current in the inductor. The controller modulates the LFET state through the PWM pin of the respective regulator channel by tri-stating the PWM when the load current reaches zero, which commands the MOSFET driver to turn off both the HFET and LFET.

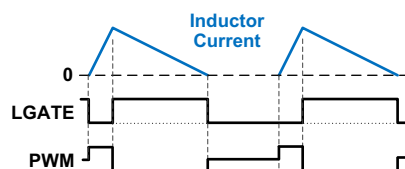


Figure 9. Diode Emulation PWM Signaling

In single-phase diode emulation operation, the ISL68222 and ISL68233 deliver inductor current pulses with a user-programmed pulse width. By programming the pulse width, the output voltage ripple can be tuned to meet expectations for any system type. Pulse frequency is then modulated to maintain output voltage regulation as shown in [Figure 10](#). The transition from single phase PFM to multiphase constant frequency operation is managed seamlessly by the ICs.

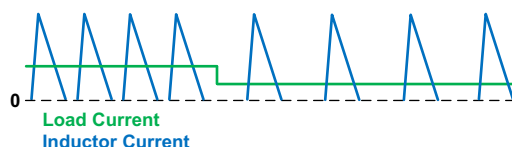


Figure 10. Single Phase Light Load PFM Operation

## 4.8 Diode Braking

Applications that support loads with large transient current demands often have significant output voltage overshoot when the load current demand drops suddenly. In some cases, diode braking may allow overshoot reduction at the expense of thermal dissipation in the low-side MOSFET.

## 4.9 Switching Frequency

Switching frequency is independently programmable on each rail from 200kHz to 2MHz.

## 4.10 Output Current Sensing

The ISL68222 and ISL68233 support DCR, resistor, and smart power stage current sensing. Use the differential input CS and CSRTN pins to connect to the various sense elements.

### 4.10.1 SPS Current Sensing

In applications using Smart Power Stage (SPS), the SPS IMON output is connected to the corresponding ISL68222 and ISL68233 CSn input. The CSRTNn pins are connected to the SPS current sense reference voltage. For connection details, see the typical application diagrams shown in [Figure 1 on page 6](#) (ISL68222) and [Figure 2 on page 7](#) (ISL68233).

### 4.10.2 Inductor DCR Sensing

Inductor windings have a resistive component (DCR) that drops a voltage proportional to the inductor current. [Figure 11](#) shows that the DCR is treated as a lumped element with one terminal inaccessible for measurement. Fortunately, a simple R-C network as shown in [Figure 11](#) can reproduce the hidden DCR voltage. By matching the R-C time constant to the L divided by DCR time constant, it is possible to precisely recreate the DCR voltage across the capacitor, so that  $V_{DCR}(t) = VC(t)$ , preserving even the switching frequency characteristic of the DCR voltage.

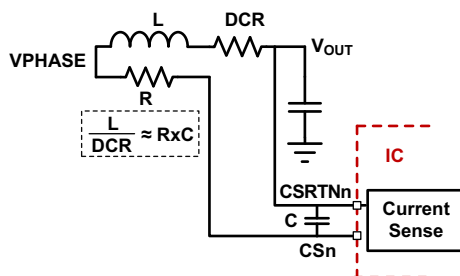


Figure 11. DCR Sensing Configuration

Modern inductors often have such low DCR values that the resulting signal is  $<10\text{mV}$ . To avoid noise problems, care must be taken in the Printed Circuit Board (PCB) layout to properly place the R-C components and route the differential lines between controller and inductor. [Figure 11](#) shows one PCB design method that places the R component near the inductor VPHASE and the C component very close to the IC pins. The design method maintains isolation of the noisy VPHASE node and maximizes filtering near the IC. Route the lines as a pair on a single layer directly to the controller. Avoid routing the pair near any switching signals such as Phase and PWM. This is the method used by Renesas on evaluation board designs. **Note:** The R component should be 0603 or greater size to limit the effects of voltage coefficient of resistance in the resistor.

Because the DCR is actually the resistance of a metal winding, the DCR value increases with rising temperature. The increase must be compensated or the sensed (and reported) current increases with temperature. To compensate the temperature effect, the ISL68222 and ISL68233 provide temperature sensing options and an internal methodology to apply the correction.

### 4.10.3 Resistive Sensing

For more accurate current sensing, a dedicated current-sense resistor,  $R_{SENSE}$ , in series with each output inductor, can serve as the current-sense element. However, this technique reduces the overall converter efficiency due to the additional power loss on the current-sense element,  $R_{SENSE}$ .

A current-sensing resistor has a distributed parasitic inductance known as Equivalent Series Inductance (ESL), which is typically less than 4nH. Consider the ESL as a separate lumped quantity, as shown in [Figure 12](#). The phase current,  $I_L$ , flowing through the inductor, also passes through the ESL. Similar to DCR sensing described in [Inductor DCR Sensing](#), a simple R-C network across the current-sense resistor extracts the  $R_{SENSE}$  voltage. Match the  $ESL/R_{SENSE}$  time constant to the R-C time constant.

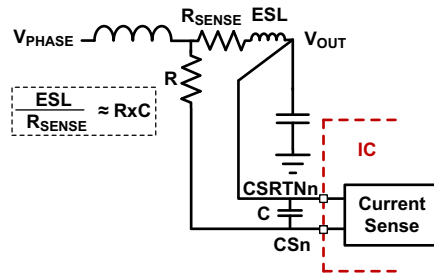


Figure 12. Sense Resistor in Series with Inductor

[Figure 13](#) shows the sensed waveforms with and without matching RC when using resistive sense. PCB layout for resistive sense should follow the guidance described for DCR sense.

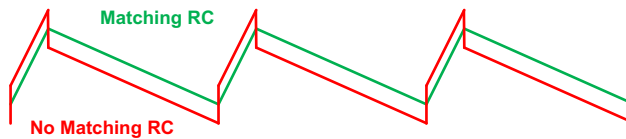


Figure 13. Voltage Across R with and without RC

#### 4.10.4 L/DCR or ESL/R<sub>SEN</sub> Matching

Assuming the compensator design is correct, [Figure 14](#) shows the expected load transient response waveforms if L/DCR or ESL/R<sub>SEN</sub> matches the R-C time constant for a droop application. When the load current  $I_{OUT}$  has a square change, the output voltage  $V_{OUT}$  also has a square response, except for the potential overshoot at load release. However, there is always some uncertainty in the true parameter values involved in the time constant matching, so fine-tuning is generally required.

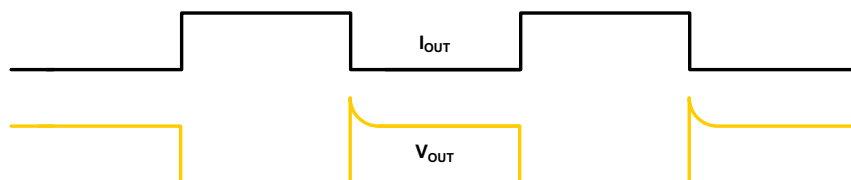


Figure 14. Desired Load Transient Response Waveforms

If the R-C time constant is too large or too small,  $V_C(t)$  does not accurately represent real-time  $I_{OUT}(t)$  and worsens the transient response. [Figure 15](#) shows the load transient response when the R-C time constant is too small. In this condition,  $V_{OUT}$  sags excessively on load insertion and can create a system failure or early overcurrent trip.

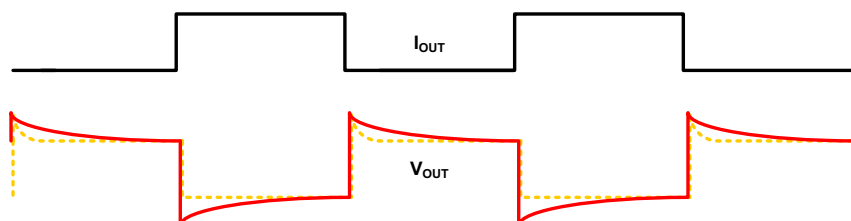


Figure 15. Load Transient Response when R-C Time Constant is Too Small

[Figure 16](#) shows the transient response when the R-C time constant is too large.  $V_{OUT}$  is sluggish in drooping to its final value. Use these general guides if fine-tuning is needed.

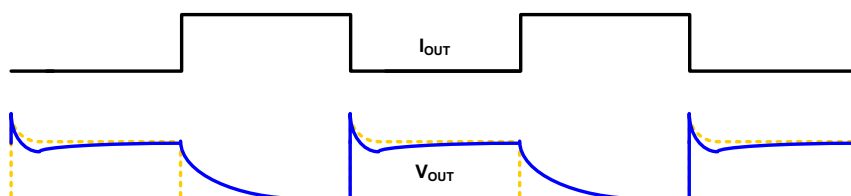


Figure 16. Load Transient Response when R-C Time Constant is Too Large



## 5. Temperature Sensing

The ISL68222 and ISL68233 monitor internal die temperature and support external per-rail SPS or NTC resistor temperature sense using the TEMPn pins. The controllers also provide per-phase temperature sense using the CS and CSRTN pins when paired with select Renesas SPS devices.

### 5.1 SPS Temperature Sensing

The ISL68222 and ISL68233 can be configured to sense SPS temperature on a per-rail or per-phase basis. To configure for per-rail temperature sense, connect the TOUT/FLT pin of each SPS in the rail together and tie the net to the ISL68222/ISL68233 TEMPn pin. Select SPS devices also have current sense reference voltage outputs (TREF) that are proportional to temperature. The ISL68222 and ISL68233 can be configured to accept this signal and report individual phase temperature. When configured for per-phase temperature sense, the SPS TOUT/FLT pins should remain connected to the ISL68222/ISL68233 TEMPn pin, because the SPS devices report internal fault conditions through the TOUT/FLT pin. See [Figure 1](#) (ISL68222 typical application diagram) and [Figure 2](#) (ISL68233 typical application diagram) for a detailed connection overview of per-rail temperature sense.

### 5.2 NTC Temperature Sensing

NTC temperature sensing is used in conjunction with inductor DCR output current sensing to sense the inductor temperature. In this configuration, the specified NTC is connected to the IC as shown in [Figure 17](#). To avoid noise problems, route the PCB traces leading to the NTC differentially and keep away from noise sources.

**Note:** Use the component values shown.

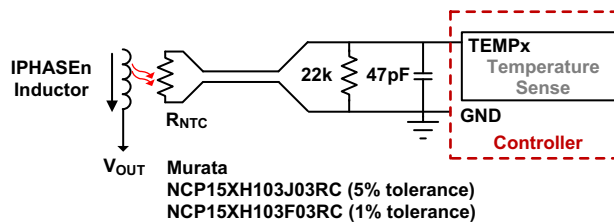


Figure 17. NTC Temperature Sense Connection

When automatic phase dropping is used in a multiphase design, position the NTC close to the phase that runs in single-phase operation. For Rail 0, the correct phase is the lowest phase number assigned to the rail. For Rail 1, the correct phase is the highest phase number assigned as shown in [Figure 18](#).

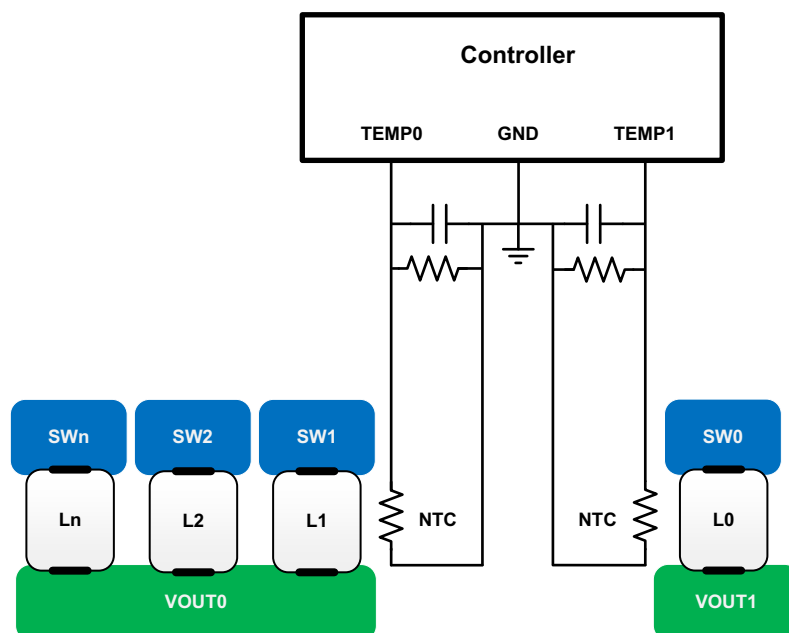


Figure 18. NTC Placement

### 5.3 Temperature Compensation

The ISL68222 and ISL68233 support temperature compensation to improve the DCR current sense accuracy. Copper wire used to form inductors has a resistivity temperature coefficient of 0.39%/°C. Because the voltage across the inductor is sensed for the output current information, the sensed signal has the same positive temperature coefficient as the inductor DCR.

Compensating current sense for temperature variation requires that the current-sensing element temperature and temperature coefficient are known. Although the temperature coefficient is easily obtained, actual current-sense element temperature is difficult to measure directly. Instead, an NTC temperature sensor placed near an inductor is measured, and the compensation is applied based on this sensed temperature.

The sensed temperature and the actual temperature are different because the temperature sensor is not perfectly coupled to the inductor winding. To accommodate this difference, the ISL68222 and ISL68233 allow you to fine-tune temperature compensation for optimal current sense accuracy. For applications requiring the highest current sense accuracy, use SPS current sense.

## 6. Fault Monitoring and Protection

The ISL68222 and ISL68233 include an extensive fault management system that integrates with high performance host controllers, supporting unprecedented remote system management and debugging capability. If a fault condition occurs, the IC deasserts the PG pin associated with the faulted rail and alerts the host using the PMAAlert pin. You can optionally configure the Catastrophic Failure Protection (CFP) to assert on select faults for additional protection measures at the system level. The ISL68222 and ISL68233 also provide Black Box, a recorder with extensive fault logging to support system level debug.

Fault controls are independently enabled and associated fault responses are user configurable. Response type is independently configurable by fault type. Response types supported are:

- **Alert only:** The rail continues to operate.
- **Shut down immediately:** The rail is latched off until commanded on.
- **Shut down and retry with variable retry delay:** The rail attempts to retry indefinitely until the condition clears or the rail is commanded off.

When a fault condition has been declared, clear the fault by issuing a [CLEAR\\_FAULTS \(03h\)](#) command or by cycling the EN pin of the faulted rail.

### 6.1 Power-Good Signals

The PG pins are open-drain, power-good outputs that indicate completion of the soft-start sequence and output voltage of the associated rail within the expected regulation range. If a fault occurs, the PG pin of the associated rail is pulled low. PG is also pulled low immediately on a rail disable.

### 6.2 Overvoltage/Undervoltage Protection

Output voltage is measured at the load sensing points differentially for regulation, and the same measurement is used for OVP and UVP. The fault thresholds are set using PMBus commands. [Figure 19](#) shows a simplified OVP/UVP block diagram. The output voltage comparisons are done in the digital domain.

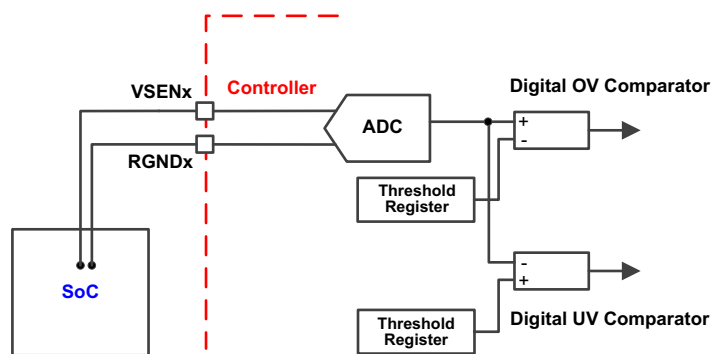


Figure 19. OVP, UVP Comparators

The device responds to an output overvoltage condition by disabling the output, declaring a fault, setting the PMAAlert pin, pulling the PG pin low, and pulsing the LFET until the output voltage drops below the threshold. Similarly, the device responds to an output undervoltage condition by disabling the output, declaring a fault, setting the PMAAlert pin, and pulling the PG pin low. The output does not restart until the EN pin is cycled (unless the device is configured to retry).

The ISL68222 and ISL68233 also feature open pin sensing protection to detect an open of the output voltage sensing circuit. When this condition is detected, controller operation is suspended.

### 6.3 Output Overcurrent Protection

The ISL68222 and ISL68233 provide a comprehensive overcurrent protection scheme that monitors the total output current, peak phase current, and the valley phase current. The scheme allows you to eliminate inductor saturation and limit the total output current. The ISL68222 and ISL68233 support shutdown and retry response

types for OC faults. The response configuration applies to all output current fault mechanisms such as phase peak overcurrent and total output overcurrent.

Figure 20 shows the block diagram of the output overcurrent protection scheme.

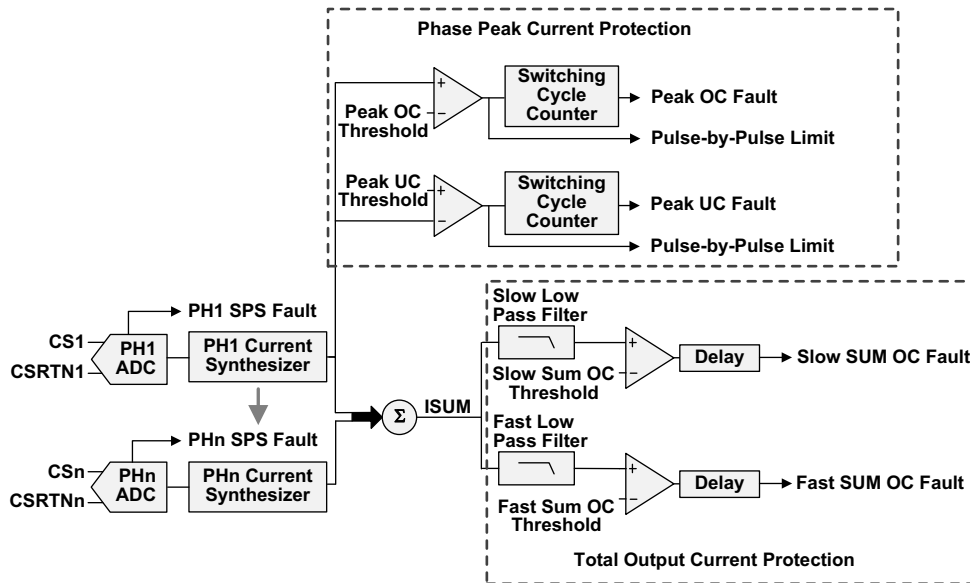


Figure 20. OCP Functional Diagram

Phases are protected from both overcurrent and undercurrent using a pulse-by-pulse scheme that acts instantly on a PWM signal if a detected phase current reaches its threshold. Thresholds for overcurrent and undercurrent allow you to precisely limit phase currents so the inductors never saturate. Phase current limiting behavior can be configured to either shut down the device after a user-determined number of consecutive events or continue indefinitely. If configured to continue indefinitely, the converter behaves much like a current source. Figures 21 and 22 show per-phase current limiting when the device is configured to shut down after a user-determined number of consecutive events.

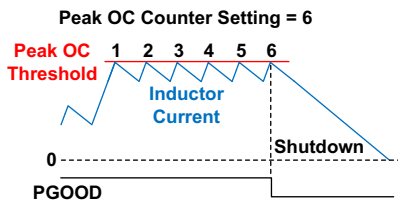


Figure 21. Peak OC Operation

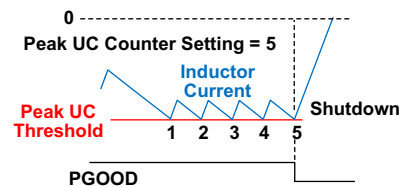


Figure 22. Peak UC Operation

The ISL68222 and ISL68233 also support total output current limits that have user-adjustable response delay. The two sum current limits, fast and slow, allow you to permit high maximum output current for a shorter period of time and lower output current for a longer period. The response delay for the limiting mechanisms is also adjustable. These mechanisms do not restrict the maximum output current until the current has exceeded a threshold for the response delay time. For example, suppose the device is configured with a Fast Sum OC limit of 150A, a response delay of 50µs, and a shutdown response type. Next, suppose a 200A load is placed on the regulator. 200A is supplied to the load for 50µs, and the device shuts down as shown in Figure 23.

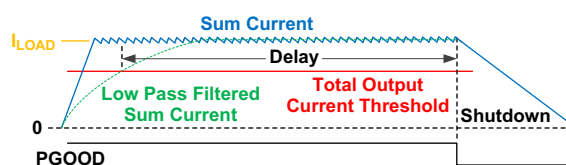


Figure 23. Total Output Current Protection

## 6.4 Smart Power Stage OC Fault Detect

Renesas Smart Power Stage (SPS) devices output a large signal on their IMON lines if peak current exceeds their preprogrammed threshold; for more details about this functionality, see the relevant SPS datasheet. The ISL68222 and ISL68233 detect this fault flag by sensing signals that exceed the current-sense ADC full scale range and immediately shut down.

SPS devices that conform to the industry common footprint, such as the ISL99380, do not use the IOUT pin for signaling overcurrent faults. All faults are signaled using their TOUT/FLT pins, and the ISL68222 and ISL68233 provide a detector on each TEMP pin to support this method.

## 6.5 Thermal Protection and nVRHOT

The ISL68222 and ISL68233 support a comprehensive scheme for thermal alerting and protection. Regardless of temperature sense method, the devices support over-temperature and under-temperature faults in addition to over-temperature warning. When configured for per phase temperature telemetry, temperature faults are triggered based on the hottest reported phase. For example, if a 3-phase rail with an over-temperature threshold of +110°C reports phase temperatures of +100°C, +102°C, and +111°C, the devices declare a fault because the hottest phase at +111°C exceeds the +110°C fault threshold. When configured for per-phase temperature sense, the SPS TOUT/FLT pins should remain connected to the ISL68222/ISL68233 TEMP pins.

IC die temperature is monitored to support telemetry and thermal shutdown. Shutdown occurs at approximately +130°C.

The nVRHOT pin is used at the system level to inform the powered device to reduce its power consumption. nVRHOT is an open-drain output; an external pull-up resistor is required. This signal is valid only after the controller is enabled. nVRHOT is pulled low when the sensed temperature for any rail reaches the PMBus OT\_WARN threshold, providing the powered device with an advance warning of the thermal status of the IC.

[Figure 24](#) shows the behavior of nVRHOT and an over-temperature fault shutdown.

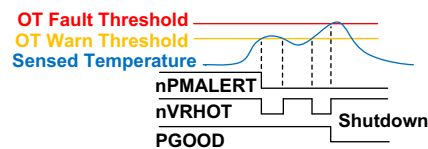


Figure 24. nVRHOT and Over-Temperature Shutdown

## 6.6 Catastrophic Failure Protection

The CFP pin supports Catastrophic Failure Protection (CFP) functionality. The pin can be configured to activate if a catastrophic fault detection occurs. The function is typically used to immediately disable the input supply to protect the entire system. The CFP function can be configured to respond to output overvoltage, input overvoltage, and/or output overcurrent faults.

## 6.7 Black Box Recorder

Black Box is a powerful diagnostic tool that captures all telemetry and status information when any fault occurs. The ISL68222 and ISL68233 continuously monitor all rail and phase information along with the time duration that the rail has been regulating, and the tool captures that data when a fault is registered. The tool reports the first fault bit that occurred to cause the shutdown. This diagnostic data is stored in RAM, and Black Box can be configured to additionally write to NVM for retrieval when the system loses input power as a fault occurs. The RAM record is updated every time a fault occurs. Black Box can write to NVM up to 10 times and provides an option to limit NVM writing to once per power cycle to avoid filling up the available NVM space inadvertently.

## 7. Layout and Design Considerations

The following layout and design strategies help minimize noise coupling and the impact of board parasitic impedances on converter performance, and they optimize the heat dissipating capabilities of the Printed Circuit Board (PCB). Follow these practices during the layout and design process.

### 7.1 Pin Noise Sensitivity, Design, and Layout Consideration

[Table 5](#) provides general guidance on best practices related to pin noise sensitivity. Use of good engineering judgment is required to implement designs based on criteria specific to the situation.

**Table 5. Pin Design and/or Layout Consideration**

Pin Name	Noise Sensitive	Description
VINSEN	Yes	Filter VINSEN with 100nF capacitor when sensing VIN directly. Use 10nF when using a resistor divider.
RGNDx VSENx	Yes	Treat each of the remote voltage sense pairs as differential signals in the PCB layout. Route them side by side on the same layer. Do not route them in proximity to noisy signals like PWM or Phase. Place a 3.3nF capacitor across the signals directly at the pins on the top layer.
AVS_CLK, AVS_SDA, AVS_MDA	Yes	This is a high speed bus that should be routed carefully. Provide 20 mils of spacing within SDA, MDA, and CLK, and more than 30 mils to all other signals. Tie CLK and MDA to ground when unused.
PGx	No	Open-drain. Avoid setting its pull-up higher than VCC. Tie it to ground when not used.
PMSCL, PMSDA, nPMALERT	Yes	50kHz to 2MHz signals should pair up with nPMALERT and be routed carefully between devices and back to the host. Provide 20 mils of spacing within PMSDA, nPMALERT, and PMSCL, and more than 30 mils to all other signals. See <a href="#">Layout and Design Considerations</a> and place proper terminated (pull-up) resistance for impedance matching. Tie to ground when not used. Pull up to 3.3V max.
TEMPx	Yes	While using SPS, place a filter capacitor no greater than 500pF between each TEMP pin and ground near the IC. While using NTC, place a 47pF capacitor and a 22k resistor near the IC and route a differential signal pair from there to the remote NTC. Use Murata NCP15XH103J03RC (5% tolerance) or NCP15XH103F03RC (1% tolerance). Tie to ground if not used.
nVRHOT	No	Open drain. Avoid setting its pull-up rail higher than VCC.
VCC	Yes	Place a 1μF MLCC decoupling capacitor (X5R or better) directly at the pin.
VCCS	Yes	Place a 4.7μF MLCC decoupling capacitor (X5R or better) directly at the pin.
PWMx	No	Avoid routing near noise sensitive analog lines such as current sense or voltage sense. Leave floating if not used.
CSx CSRTNx	Yes	Treat each of the current sense pairs as differential signals in the PCB layout. Route them side by side on the same layer. Do not route them in close proximity to noisy signals like PWM or Phase. Proper routing of current sense is perhaps the most critical of all the layout tasks. Place the R-C filter between CSx and CSRTNx at the controller for SPS configuration.
GND	Yes	This EPAD is the ground for all IC signals. Use four or more vias to directly connect the EPAD to the ground plane. Never use only a single via or a 0Ω resistor connection to the power ground plane. Split ground planes are not advised.
General Comments		The layer next to the top or bottom layer should be a ground layer. The signal layers should be sandwiched between the ground layers if possible.

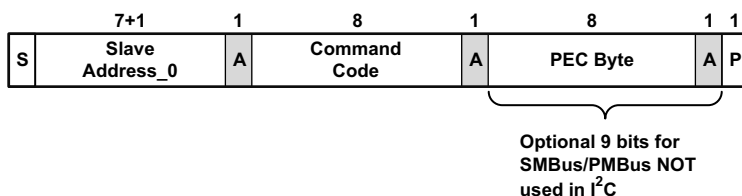
## 8. PMBus Protocol

The PMBus Protocol includes the Send Byte, the Write Byte/Word, Read Byte/Word, Group Command, and Alert Response Address protocols.

### PMBus Protocol Legend

- S: Start Condition
- A: Acknowledge ("0")
- N: Not Acknowledge ("1")
- W: Write ("0")
- RS: Repeated Start Condition
- R: Read ("1")
- PEC: Packet Error Checking
- P: Stop Condition
- Acknowledge or DATA from Slave, Controller

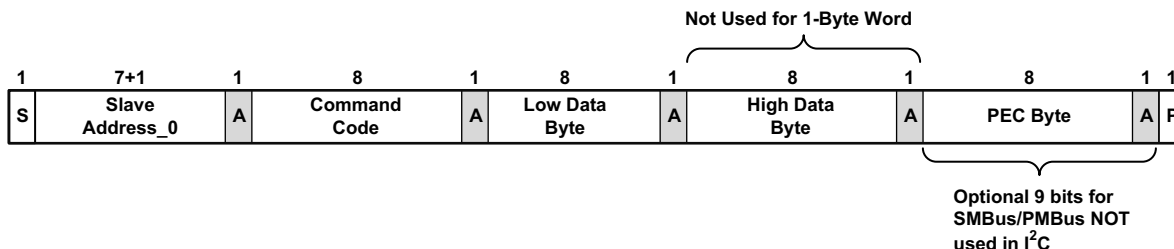
### 8.1 Send Byte Protocol



Example command: 03h Clear Faults  
 (This clears all of the bits in Status Byte for the selected rail)

Figure 25. Send Byte Protocol

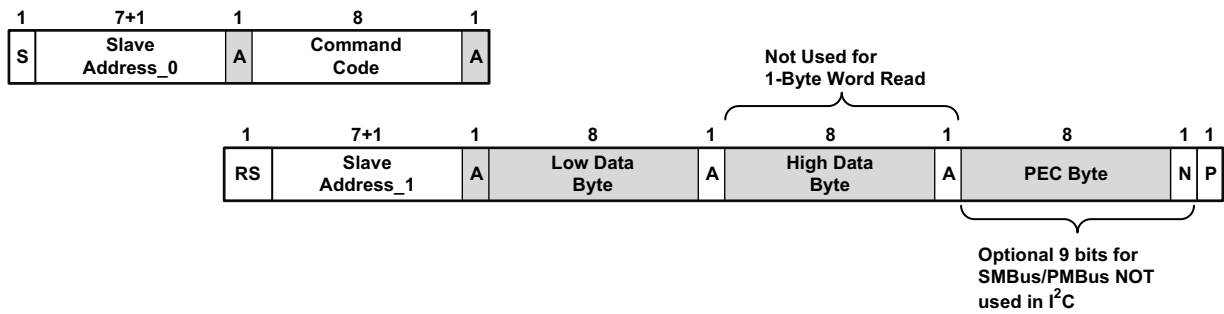
### 8.2 Write Byte/Word Protocol



Example command: 21h VOUT\_COMMAND

Figure 26. Write Byte/Word Protocol

### 8.3 Read Byte/Word Protocol

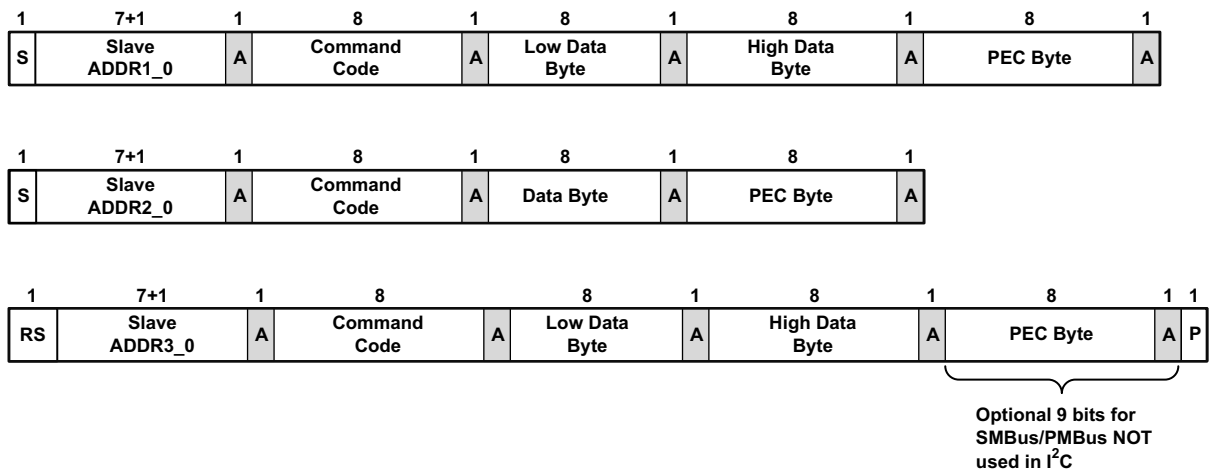


Example command: 8B READ\_VOUT (Two words, read voltage of the selected rail).

**Note:** The STOP (P) bit is NOT allowed before the repeated START condition when reading contents of a register.

Figure 27. Read Byte/Word Protocol

### 8.4 Group Command Protocol



**Note:** No more than one command can be sent to the same Address

Figure 28. Group Command Protocol

### 8.5 Alert Response Address

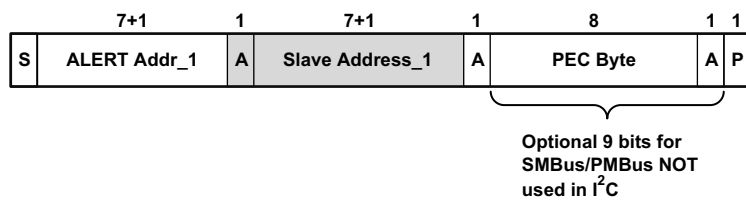


Figure 29. Alert Response Address (ARA, 0001\_1001, 25h) for SMBus and PMBus, not used for I<sup>2</sup>C



## 9. PMBus Command Summary

Code	Command Name	Description	Type	Data Format	Default Value	Default Setting
00h	<a href="#">PAGE (00h)</a>	Rail selector	R/W	Bit	00h	Page 0
01h	<a href="#">OPERATION (01h)</a>	Enable/disable, $V_{OUT}$ source	R/W	Bit	08h	Immediate off, Act on fault
02h	<a href="#">ON_OFF_CONFIG (02h)</a>	On/off configuration settings	R/W	Bit	17h	ENABLE pin control, active high, immediate off
03h	<a href="#">CLEAR_FAULTS (03h)</a>	Clears all fault bits in all registers and releases the nPMALERT pin	Write	N/A	N/A	N/A
04h	<a href="#">PHASE (04h)</a>	Phase selector	R/W	Direct	00h	Phase 0
05h	<a href="#">PAGE_PLUS_WRITE (05h)</a>	Allows page and command write in single transaction	Block Write	Bit	N/A	N/A
06h	<a href="#">PAGE_PLUS_READ (06h)</a>	Allows page and command read in single transaction	Block Write/read/process call	Bit	N/A	N/A
10h	<a href="#">WRITE_PROTECT (10h)</a>	Write protection to sets of commands	R/W	Bit	00h	No write protection
19h	<a href="#">CAPABILITY (19h)</a>	Reports PMBus capability	Read	Bit	<b>ISL68222:</b> D0h <b>ISL68233:</b> D4h	See detail
1Bh	<a href="#">SMBALERT_MASK (1Bh)</a>	Mask status bits from SMBALERT signal	Block R/W	Bit	00h	No bits masked
20h	<a href="#">VOUT_MODE (20h)</a>	Defines format for output voltage related commands	Read	Bit	40h	Direct format
21h	<a href="#">VOUT_COMMAND (21h)</a>	Output voltage set by PMBus	R/W	Direct	0384h	900mV
22h	<a href="#">VOUT_TRIM (22h)</a>	Applies trim voltage to $V_{OUT}$ set-point	R/W	Direct	0000h	0mV
23h	<a href="#">VOUT_CAL_OFFSET (23h)</a>	Applies offset voltage to $V_{OUT}$ set-point	R/W	Direct	0000h	0mV
24h	<a href="#">VOUT_MAX (24h)</a>	Absolute maximum voltage setting	R/W	Direct	0BEAh	3050mV
25h	<a href="#">VOUT_MARGIN_HIGH (25h)</a>	Sets voltage target during margin high	R/W	Direct	03B1	945mV
26h	<a href="#">VOUT_MARGIN_LOW (26h)</a>	Sets voltage target during margin low	R/W	Direct	0357	855mV
27h	<a href="#">VOUT_TRANSITION_RATE (27h)</a>	Slew rate setting for $V_{OUT}$ ramp	R/W	Direct	09C4h	25mV/ $\mu$ s
28h	<a href="#">VOUT_DROOP (28h)</a>	Sets the load-line (V/I slope) resistance for the output	R/W	Direct	0000h	0 $\mu$ V/A
2Bh	<a href="#">VOUT_MIN (2Bh)</a>	Absolute minimum voltage setting	R/W	Direct	0000h	0mV
33h	<a href="#">FREQUENCY_SWITCH (33h)</a>	Sets PWM switching frequency	R/W	Direct	0258h	600kHz
34h	<a href="#">POWER_MODE (34h)</a>	Sets the power conversion mode	R/W	Bit	03h	Maximum power
35h	<a href="#">VIN_ON (35h)</a>	Sets the $V_{IN}$ startup threshold	R/W	Direct	02BCh	7000mV
36h	<a href="#">VIN_OFF (36h)</a>	Sets the $V_{IN}$ shutdown threshold	R/W	Direct	01F4h	5000mV
40h	<a href="#">VOUT_OV_FAULT_LIMIT (40h)</a>	Sets the $V_{OUT}$ OV fault limit while disabled	R/W	Direct	0C1Ch	3100mV

Code	Command Name	Description	Type	Data Format	Default Value	Default Setting
41h	<a href="#">VOUT_OV_FAULT_RESPONSE (41h)</a>	Configures the $V_{OUT}$ OV fault response	R/W	Bit	84h	Latch off
44h	<a href="#">VOUT_UV_FAULT_LIMIT (44h)</a>	Sets the $V_{OUT}$ UV fault limit	R/W	Direct	0000h	0mV
45h	<a href="#">VOUT_UV_FAULT_RESPONSE (45h)</a>	Configures the $V_{OUT}$ UV fault response	R/W	Bit	84h	Latch off
46h	<a href="#">IOUT_OC_FAULT_LIMIT (46h)</a>	Sets the $I_{OUT}$ OC fault limit	R/W	Direct	12Ch	30A
47h	<a href="#">IOUT_OC_FAULT_RESPONSE (47h)</a>	Configures the $I_{OUT}$ OC fault response	R/W	Bit	C4h	Latch off
4Fh	<a href="#">OT_FAULT_LIMIT (4Fh)</a>	Sets the OT fault limit	R/W	Direct	007Dh	125°C
50h	<a href="#">OT_FAULT_RESPONSE (50h)</a>	Configures the OT fault response	R/W	Bit	84h	Latch off
51h	<a href="#">OT_WARN_LIMIT (51h)</a>	Sets the OT warning limit	R/W	Direct	006Eh	110°C
53h	<a href="#">UT_FAULT_LIMIT (53h)</a>	Sets the UT fault limit	R/W	Direct	FFD8h	-40°C
54h	<a href="#">UT_FAULT_RESPONSE (54h)</a>	Configures the UT fault response	R/W	Bit	84h	Latch off
55h	<a href="#">VIN_OV_FAULT_LIMIT (55h)</a>	Sets the $V_{IN}$ OV fault limit	R/W	Direct	0640h	16000mV
56h	<a href="#">VIN_OV_FAULT_RESPONSE (56h)</a>	Configures the $V_{IN}$ OV fault response	R/W	Bit	84h	Latch off
57h	<a href="#">VIN_OV_WARN_LIMIT (57h)</a>	Sets the $V_{IN}$ OV warning limit	R/W	Direct	0708h	18000mV
58h	<a href="#">VIN_UV_WARN_LIMIT (58h)</a>	Sets the $V_{IN}$ UV warning limit	R/W	Direct	0000h	0mV
59h	<a href="#">VIN_UV_FAULT_LIMIT (59h)</a>	Sets the $V_{IN}$ UV fault limit	R/W	Direct	0000h	0mV
5Ah	<a href="#">VIN_UV_FAULT_RESPONSE (5Ah)</a>	Configures the $V_{IN}$ UV fault response	R/W	Bit	84h	Latch off
5Bh	<a href="#">IIN_OC_FAULT_LIMIT (5Bh)</a>	Sets the $I_{IN}$ OC fault limit	R/W	Direct	1388h	50A
5Ch	<a href="#">IIN_OC_FAULT_RESPONSE (5Ch)</a>	Configures the $I_{IN}$ OC fault response	R/W	Bit	04h	Ignore
5Dh	<a href="#">IIN_OC_WARN_LIMIT (5Dh)</a>	Sets the $I_{IN}$ OC warning limit	R/W	Direct	3A98h	150A
60h	<a href="#">TON_DELAY (60h)</a>	Sets turn-on delay time	R/W	Direct	0000h	0 $\mu$ s
61h	<a href="#">TON_RISE (61h)</a>	Sets turn-on rise time	R/W	Direct	01F4h	500 $\mu$ s
64h	<a href="#">TOFF_DELAY (64h)</a>	Sets turn-off delay time	R/W	Direct	0000h	0 $\mu$ s
65h	<a href="#">TOFF_FALL (65h)</a>	Sets turn-off fall time	R/W	Direct	01F4h	500 $\mu$ s
78h	<a href="#">STATUS_BYTE (78h)</a>	First byte of STATUS_WORD	Read	Bit	N/A	N/A
79h	<a href="#">STATUS_WORD (79h)</a>	Summary of critical faults	Read	Bit	N/A	N/A
7Ah	<a href="#">STATUS_VOUT (7Ah)</a>	Reports $V_{OUT}$ warnings/faults	Read	Bit	N/A	N/A
7Bh	<a href="#">STATUS_IOUT (7Bh)</a>	Reports $I_{OUT}$ warnings/faults	Read	Bit	N/A	N/A
7Ch	<a href="#">STATUS_INPUT (7Ch)</a>	Reports input warnings/faults	Read	Bit	N/A	N/A
7Dh	<a href="#">STATUS_TEMPERATURE (7Dh)</a>	Reports temperature warnings/faults	Read	Bit	N/A	N/A
7Eh	<a href="#">STATUS_CML (7Eh)</a>	Reports communication, memory, logic errors	Read	Bit	N/A	N/A
80h	<a href="#">STATUS_MFR_SPECIFIC (80h)</a>	Reports other specific faults	Read	Bit	N/A	N/A
88h	<a href="#">READ_VIN (88h)</a>	Reports input voltage measurement	Read	Direct	N/A	mV
89h	<a href="#">READ_IIN (89h)</a>	Reports input current measurement	Read	Direct	N/A	A
8Bh	<a href="#">READ_VOUT (8Bh)</a>	Reports output voltage measurement	Read	Direct	N/A	mV
8Ch	<a href="#">READ_IOUT (8Ch)</a>	Reports output current measurement	Read	Direct	N/A	A

Code	Command Name	Description	Type	Data Format	Default Value	Default Setting
8Dh	<a href="#">READ_TEMPERATURE_1 (8Dh)</a>	Reports power stage temperature measurement	Read	Direct	N/A	°C
8Eh	<a href="#">READ_TEMPERATURE_2 (8Eh)</a>	Reports internal temperature measurement	Read	Direct	N/A	°C
8Fh	<a href="#">READ_TEMPERATURE_3 (8Fh)</a>	Reports TEMP pin temperature measurement	Read	Direct	N/A	°C
96h	<a href="#">READ_POUT (96h)</a>	Reports output power	Read	Direct	N/A	W
97h	<a href="#">READ_PIN (97h)</a>	Reports input power	Read	Direct	N/A	W
98h	<a href="#">PMBUS_REVISION (98h)</a>	Reports the PMBus revision used	Read	Bit	33h	P1 R1.3, P2 R1.3
99h	<a href="#">MFR_ID (99h)</a>	Stores Inventory Information	Block R/W	Bit	00000000h	Empty
9Ah	<a href="#">MFR_MODEL (9Ah)</a>	Stores Inventory Information	Block R/W	Bit	00000000h	Empty
9Bh	<a href="#">MFR_REVISION (9Bh)</a>	Stores Inventory Information	Block R/W	Bit	00000000h	Empty
9Dh	<a href="#">MFR_DATE (9Dh)</a>	Stores Inventory Information	Block R/W	Bit	00000000h	Empty
ADh	<a href="#">IC_DEVICE_ID (ADh)</a>	Reports device identification information	Block Read	Bit	<b>ISL68222:</b> 49D26100h <b>ISL68233:</b> 49D26B00h	<b>ISL68222:</b> 49D26100h <b>ISL68233:</b> 49D26B00h
AEh	<a href="#">IC_DEVICE_REV (AEh)</a>	Reports device revision information	Block Read	Bit		Release revision
C5h	<a href="#">DMAFIX (C5h)</a>	Fixed DMA transactions	R/W	Bit	0000h	0
C6h	<a href="#">DMASEQ (C6h)</a>	Sequential DMA transaction	R/W	Bit	0000h	0
C7h	<a href="#">DMAADDR (C7h)</a>	Sets the address for DMA transactions	R/W	Bit	0000h	0
CDh	<a href="#">PEAK_OC_LIMIT (CDh)</a>	Sets peak per-phase OC limit	R/W	Direct	258h	60A
CEh	<a href="#">PEAK_UC_LIMIT (CEh)</a>	Sets peak per-phase UC limit	R/W	Direct	FDA8	-60A
D0h	<a href="#">VMON_ON (D0h)</a>	Sets the VMON startup threshold	R/W	Direct	1C2h	4500mV
D1h	<a href="#">VMON_OFF (D1h)</a>	Sets the VMON shutdown threshold	R/W	Direct	190h	4000mV
DDh	<a href="#">COMPPROP (DDh)</a>	Configures proportional gain	R/W	Bit	D90907C4h	See detail
DEh	<a href="#">COMPINTEG (DEh)</a>	Configures integral gain	R/W	Bit	A9h	See detail
DFh	<a href="#">COMPIDFF (DFh)</a>	Configures differential gain	R/W	Bit	0h	See detail
E0h	<a href="#">COMPCFB (E0h)</a>	Configures AC current feedback	R/W	Bit	560h	See detail
E3h	<a href="#">HS_BUS_CURRENT_SCALE (E3h)</a>	Sets the high speed bus current scaling	R/W	Direct	4000h	1.0
E4h	<a href="#">PHASE_CURRENT (E4h)</a>	Reports per-phase current	Read	Direct	N/A	A
E5h	<a href="#">PHASE_TEMPERATURE (E5h)</a>	Reports per-phase temperature	Read	Direct	N/A	°C
E9h	<a href="#">PEAK_OCUC_COUNT (E9h)</a>	Sets the count limit before fault	R/W	Bit	606h	6 cycles for OC & UC
EAh	<a href="#">SLOW_IOUT_OC_LIMIT (EAh)</a>	Sets the slow I <sub>OUT</sub> OC limit	R/W	Direct	C8h	20A
EBh	<a href="#">FAST_OC_FILT_COUNT (EBh)</a>	Configures the fast OC filter	R/W	Bit	0696h	Filter = 10.6µs, Delay = 100µs
ECh	<a href="#">SLOW_OC_FILT_COUNT (ECh)</a>	Configures the slow OC filter	R/W	Bit	606h	Filter = 10.6µs, Delay = 1024µs
F0h	<a href="#">LOOPCFG (F0h)</a>	Defines loop operating configuration	R/W	Bit	102031F6h	See detail
F2h	<a href="#">RESTORE_CFG (F2h)</a>	Identifies configuration to be restored from NVM	R/W	Bit	00h	

## 9.1 PMBus Use Guidelines

All commands can be read at any time.

## 9.2 PMBus Data Formats

### 9.2.1 Direct

The Direct data format is a 2-byte binary integer.

### 9.2.2 Linear 16 Unsigned (L16U)

The L16u data format uses a fixed exponent (hard-coded to  $N = -9h$ ) and a 16-bit unsigned integer mantissa (Y) to represent the real world decimal value (X). The relation between the real world decimal value (X), N, and Y is:  $X = Y \cdot 2^{-9}$ .

### 9.2.3 Linear 16 Signed (L16S)

The L16S data format uses a fixed exponent (hard-coded to  $N = -9h$ ) and a 16-bit signed integer mantissa (Y) to represent the real world decimal value (X). The relation between the real world decimal value (X), N, and Y is:  $X = Y \cdot 2^{-9}$ .

### 9.2.4 Linear 11 (L11)

The L11 data format uses a 5-bit two's complement exponent (N) and 11-bit two's complement mantissa (Y) to represent the real world decimal value (X).

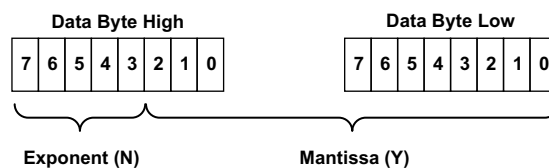


Figure 30. Linear 11 Data Format

The relation between the real world decimal value (X), N, and Y is:  $X = Y \cdot 2^N$ .

### 9.2.5 Bit Field (Bit)

A description of Bit Field is provided in the [PMBus Command Detail](#).

### 9.2.6 Custom (Cus)

Custom format

## 10. PMBus Command Detail

### 10.1 PAGE (00h)

**Definition:** Selects the communication path to Rail 0, Rail 1, both rails, or individual phases. All paged commands following this command are received and acted on by the selected destination path. Paged commands that are writeable can be written globally, but can only be read on a specific page unless otherwise specified. Global commands remain global regardless of the value of this command. Individual phase access is available by setting this command to 80h and setting the individual phase value using the PHASE command.

**Access:** Global

**Data Length in Bytes:** 1

**Data Format:** Bit Field

**Type:** R/W

**Default Value:** 00h (Page 0)

Command	PAGE (00h)							
Format	Bit Field							
Bit Position	7	6	5	4	3	2	1	0
Access	R/W	R/W	R/W	R/W	R/W	R/W	R/W	R/W
Function	See Following Table							
Default Value	0	0	0	0	0	0	1	0

Bit Value	Setting
00h	Page 0 (Rail 0)
01h	Page 1 (Rail 1)
80h	Individual phase (set by the PHASE command)
FFh	Global (All Rails)

## 10.2 OPERATION (01h)

**Definition:** Sets Enable/Disable state when configured for PMBus enable. Sets the source of the target  $V_{OUT}$ . The following table reflects the valid settings for the device.

**Access:** Paged

**Data Length in Bytes:** 1

**Data Format:** Bit Field

**Type:** R/W

**Default Value:** 08h (Immediate off, Act on fault)

Command	OPERATION (01h)							
Format	Bit Field							
Bit Position	7	6	5	4	3	2	1	0
Access	R/W	R/W	R/W	R/W	R/W	R/W	R/W	R/W
Function	See Following Table							
Default Value	0	0	0	0	1	0	0	0

Bit Number	Purpose	Bit Value	Meaning
7	Enable/Disable Output	0	Disable
		1	Enable
6	Disable Behavior	0	Immediate off (decay with PWM tri-state)
		1	Soft off (Use TOFF_DELAY and TOFF_FALL)
5:4	$V_{OUT}$ Source	00	VOUT_COMMAND
		01	VOUT_MARGIN_LOW
		10	VOUT_MARGIN_HIGH
		11	AVSBus target rail voltage
3:2	Margin Response	01	Ignore $V_{OUT}$ OV, UV faults when margined.
		10	Act on $V_{OUT}$ OV, UV faults when margined.
1	Not Supported	<b>ISL68222: 0</b>	Not supported
	AVSBus $V_{OUT}$ Copy	<b>ISL68233: 0</b>	PMBus VOUT_COMMAND remains unchanged
		<b>ISL68233 1</b>	AVSBus target rail voltage setting is copied to VOUT_COMMAND on transfer back to PMBus control.
0	Not Supported	X	Not supported

### 10.3 ON\_OFF\_CONFIG (02h)

**Definition:** Configures the interpretation and coordination of the OPERATION command and the ENABLE pin.

**Access:** Paged

**Data Length in Bytes:** 1

**Data Format:** Bit Field

**Type:** R/W

**Default Value:** 17h (ENABLE pin control, active high, immediate off)

Command	ON_OFF_CONFIG (02h)							
Format	Bit Field							
Bit Position	7	6	5	4	3	2	1	0
Access	R/W	R/W	R/W	R/W	R/W	R/W	R/W	R/W
Function	See Following Table							
Default Value	0	0	0	1	0	1	1	1

Bit Number	Purpose	Bit Value	Meaning
7:5	Not Supported	000	Not supported
4:2	Sets the source of enable	0XX	Output enables any time power is present regardless of pin or OPERATION command state.
		101	Output enables from the enable pin only.
		110	Output enables from the OPERATION command only.
		111	Output enables from the enable pin AND the OPERATION command. Both must be set to enable.
1	Polarity of ENABLE pin	0	Active low
		1	Active high
0	ENABLE pin action when commanding the unit to turn off	0	Use the configured TOFF_DELAY and TOFF_FALL settings.
		1	Turn off the output immediately (decay with PWM tri-state).

### 10.4 CLEAR\_FAULTS (03h)

**Definition:** Clears all fault status bits in all registers and releases the nPMALERT pin (if asserted) simultaneously. If a fault condition still exists, the bit(s) reasserts immediately. This command does not restart a device if it is shut down, it only clears the faults.

**Access:** Paged

**Data Length in Bytes:** 0

**Data Format:** N/A

**Type:** Write only

### 10.5 PHASE (04h)

**Definition:** Sets the individual phase address for reading from PHASE\_CURRENT (E4h) and PHASE\_TEMPERATURE (E5h). The PAGE command must also be set to access phase information.

**Access:** Global

**Data Length in Bytes:** 1

**Data Format:** Direct

**Type:** R/W

**Default Value:** 00h (phase 0)

**Equation:** PHASE = (direct value)

**Range:** Phase 0 to 4

Command	PHASE (04h)							
Format	Direct							
Bit Position	7	6	5	4	3	2	1	0
Access	R/W	R/W	R/W	R/W	R/W	R/W	R/W	R/W
Function	Unsigned Integer							
Default Value	0	0	0	0	0	0	0	0

### 10.6 PAGE\_PLUS\_WRITE (05h)

**Definition:** Sets the page within a device, sends a command, and sends the data for the command in one packet.

**Access:** Global

**Data Format:** Bit Field

**Type:** Block Write

The PAGE\_PLUS\_WRITE command uses the WRITE BLOCK protocol.

Figure 31 shows an example of the PAGE\_PLUS command being used to send a command that has two data bytes to be written and a PEC byte.

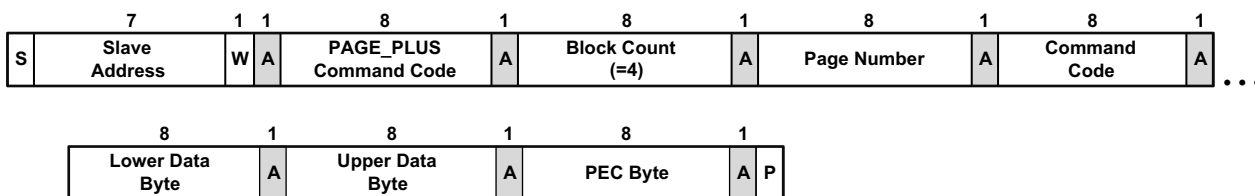


Figure 31. PAGE\_PLUS\_WRITE Command with a PEC Byte



### 10.7 PAGE\_PLUS\_READ (06h)

**Definition:** Sets the page within a device, sends a command, and reads the data returned by the command in one packet.

**Access:** Paged

**Data Format:** Bit Field

**Type:** Block Read

The PAGE\_PLUS\_READ command uses the BLOCK WRITE – BLOCK READ PROCESS CALL protocol.

Figure 32 shows an example of the PAGE\_PLUS command being used to send a command that has two data bytes to be read and a PEC byte.

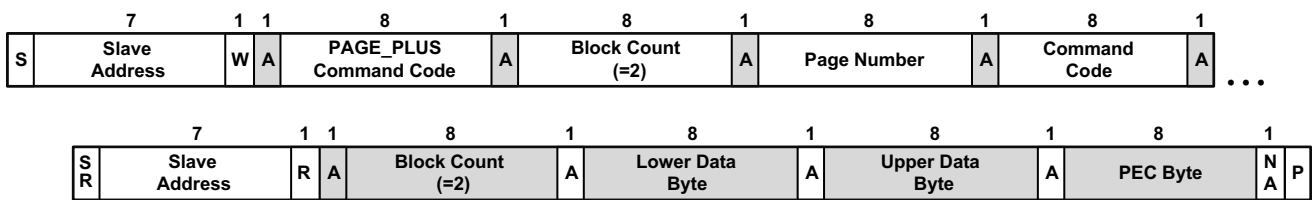


Figure 32. PAGE\_PLUS\_READ Command with a PEC Byte

### 10.8 WRITE\_PROTECT (10h)

**Definition:** Sets the write protection of certain configuration commands.

**Access:** Global

**Data Length in Bytes:** 1

**Data Format:** Bit Field

**Type:** R/W

**Default Value:** 00h (enable all writes)

Command	WRITE_PROTECT (10h)							
Format	Bit Field							
Bit Position	7	6	5	4	3	2	1	0
Access	R/W	R/W	R/W	R/W	R/W	R/W	R/W	R/W
Function	See Following Table							
Default Value	0	0	0	0	0	0	0	0

Bits 7:0	Protection
1000 0000	Disable all writes except to WRITE_PROTECT command.
0100 0000	Disable all writes except to WRITE_PROTECT, OPERATION, and PAGE.
0010 0000	Disable all writes except to WRITE_PROTECT, OPERATION, PAGE, ON_OFF_CONFIG, and VOUT_COMMAND.
0000 0010	Disable all writes except to WRITE_PROTECT, OPERATION, PAGE, ON_OFF_CONFIG, VOUT_COMMAND, and DMA.
0000 0000	Enable all writes

**Note:** Any settings other than the five shown result in an invalid data fault.

## 10.9 CAPABILITY (19h)

**Definition:** Reports PMBus capabilities of the device.

**Access:** Global

**Data Length in Bytes:** 1

**Data Format:** Bit Field

**Type:** Read Only

**Default Value (ISL68222):** D0h, PEC supported, bus speed 1MHz, SMBALERT supported, Linear/Direct numeric data

**Default Value (ISL68233):** D4h, PEC supported, bus speed 1MHz, SMBALERT supported, Linear/Direct numeric data, AVSBus supported

Command	CAPABILITY (19h)							
Format	Bit Field							
Bit Position	7	6	5	4	3	2	1	0
Access	R	R	R	R	R	R	R	R
Function	See Following Table							
Default Value for ISL68222	1	1	0	1	0	0	0	0
Default Value for ISL68233	1	1	0	1	0	1	0	0

Bit Number	Purpose	Bit Value	Meaning
7	PEC Support	1	PEC supported
		0	PEC not supported
6:5	Maximum Bus Speed	11	Not supported
		10	1MHz
		01	400kHz
		00	100kHz
4	SMBALERT Support	1	SMBALERT pin and response protocol is supported.
		0	SMBALERT pin and response protocol is not supported.
3	Numeric Format	1	Numeric data, IEEE half precision floating point format
		0	Numeric data, Linear/Direct
2	AVSBus Support	1	<b>ISL68233:</b> AVSBus supported
		0	<b>ISL68222:</b> AVSBus not supported
1:0	Not Supported	00	Not supported

### 10.10 SMBALERT\_MASK (1Bh)

**Definition:** Prevents a warning or fault condition from asserting the SMBALERT# signal. Can be used on the following PMBus status commands: STATUS\_VOUT, STATUS\_IOUT, STATUS\_INPUT, STATUS\_TEMPERATURE, STATUS\_CML, and STATUS\_MFR\_SPECIFIC.

**Access:** Paged

**Data Format:** Bit Field

**Type:** Block R/W

**Default:** 00h

Figures 33 and 34 show the command format used to block a status bit or bits from causing the SMBALERT# signal to be asserted. The bits in the mask byte align with the bits in the corresponding status register. For example, if the STATUS\_TEMPERATURE command code is sent with the mask byte 01000000b, an over-temperature warning condition would be blocked from asserting SMBALERT#.

**Note:** Figure 33 shows the command format used by the host to determine the SMBALERT\_MASK setting for a given status register.

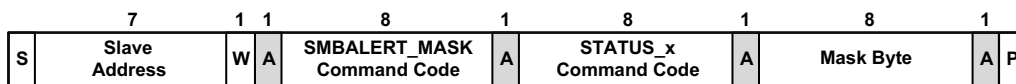


Figure 33. SMBALERT\_MASK Command Packet Format

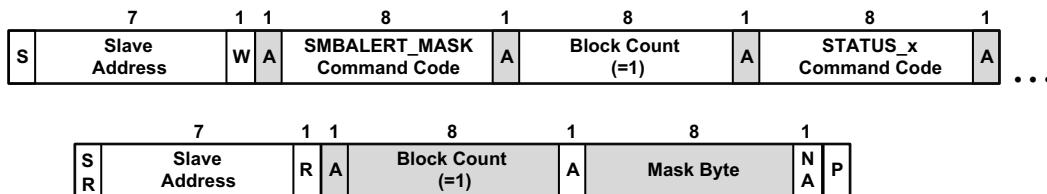


Figure 34. Retrieving the SMBALERT\_MASK Setting for a Given Status Register

### 10.11 VOUT\_MODE (20h)

**Definition:** Returns the supported V<sub>OUT</sub> mode. Direct mode, 1mV per LSB.

**Access:** Global

**Data Length in Bytes:** 1

**Data Format:** Bit Field

**Type:** Read Only

**Default Value:** 40h

Command	VOUT_MODE (20h)							
Format	Bit Field							
Bit Position	7	6	5	4	3	2	1	0
Access	R	R	R	R	R	R	R	R
Function	Mode				Exponent			
Default Value	0	1	0	0	0	0	0	0

## 10.12 VOUT\_COMMAND (21h)

**Definition:** Sets the value of  $V_{OUT}$  when the OPERATION command is configured for PMBus nominal operation. 1mV per LSB.

**Access:** Paged

**Data Length in Bytes:** 2

**Data Format:** Direct

**Type:** R/W

**Default Value:** 0384h (900mV)

**Units:** mV

**Equation:**  $V_{OUT}$  Command = (Direct value)

**Range:** 0mV to 3050mV

Command	VOUT_COMMAND (21h)															
Format	Direct															
Bit Position	15	14	13	12	11	10	9	8	7	6	5	4	3	2	1	0
Access	R/W	R/W	R/W	R/W	R/W	R/W	R/W	R/W	R/W	R/W	R/W	R/W	R/W	R/W	R/W	R/W
Function	Unsigned Integer															
Default Value	0	0	0	0	0	0	1	1	1	0	0	0	0	1	0	0

## 10.13 VOUT\_TRIM (22h)

**Definition:** Applies a fixed trim voltage to the output voltage command value. This command is typically used to calibrate a device in the application circuit. 1mV per LSB.

**Access:** Paged

**Data Length in Bytes:** 2

**Data Format:** Direct

**Type:** R/W

**Default Value:** 0000h

**Units:** mV

**Equation:**  $V_{OUT}$  Trim = (Direct value)

**Range:** Any value that results in the  $V_{OUT}$  target being between 0V and  $V_{OUT\_MAX}$

Command	VOUT_TRIM (22h)															
Format	Direct															
Bit Position	15	14	13	12	11	10	9	8	7	6	5	4	3	2	1	0
Access	R/W	R/W	R/W	R/W	R/W	R/W	R/W	R/W	R/W	R/W	R/W	R/W	R/W	R/W	R/W	R/W
Function	Two's Complement Integer															
Default Value	0	0	0	0	0	0	0	0	0	0	0	0	0	0	0	0

### 10.14 VOUT\_CAL\_OFFSET (23h)

**Definition:** Applies a fixed offset voltage to the output voltage command value. This command is typically used to calibrate a device in the application circuit. 1mV per LSB.

**Access:** Paged

**Data Length in Bytes:** 2

**Data Format:** Direct

**Type:** R/W

**Default Value:** 0000h

**Units:** mV

**Equation:**  $V_{OUT}$  Cal Offset = (Direct value)

**Range:** Any value that results in the  $V_{OUT}$  target being between 0V and  $V_{OUT\_MAX}$

Command	VOUT_CAL_OFFSET (23h)															
Format	Direct															
Bit Position	15	14	13	12	11	10	9	8	7	6	5	4	3	2	1	0
Access	R/W	R/W	R/W	R/W	R/W	R/W	R/W	R/W	R/W	R/W	R/W	R/W	R/W	R/W	R/W	R/W
Function	Two's Complement Integer															
Default Value	0	0	0	0	0	0	0	0	0	0	0	0	0	0	0	0

### 10.15 VOUT\_MAX (24h)

**Definition:** Sets the absolute maximum  $V_{OUT}$  regulation value regardless of any other commands or combinations. 1mV per LSB.

**Access:** Paged

**Data Length in Bytes:** 2

**Data Format:** Direct

**Type:** R/W

**Default Value:** 0BEAh (3050mV)

**Units:** mV

**Equation:**  $V_{OUT}$  Max = (Direct value)

**Range:** 0mV to 3050mV

Command	VOUT_MAX (24h)															
Format	Direct															
Bit Position	15	14	13	12	11	10	9	8	7	6	5	4	3	2	1	0
Access	R/W	R/W	R/W	R/W	R/W	R/W	R/W	R/W	R/W	R/W	R/W	R/W	R/W	R/W	R/W	R/W
Function	Unsigned Integer															
Default Value	0	0	0	0	1	0	1	1	1	1	1	0	1	0	1	0

### 10.16 VOUT\_MARGIN\_HIGH (25h)

**Definition:** Sets the value of  $V_{OUT}$  when the OPERATION command is configured for margin high. 1mV per LSB.

**Access:** Paged

**Data Length in Bytes:** 2

**Data Format:** Direct

**Type:** R/W

**Default Value:** 3B1h (945mV)

**Units:** mV

**Equation:**  $V_{OUT}$  Margin High = (Direct value)

**Range:** 0mV to 3050mV

Command	VOUT_MARGIN_HIGH (25h)															
Format	Direct															
Bit Position	15	14	13	12	11	10	9	8	7	6	5	4	3	2	1	0
Access	R/W	R/W	R/W	R/W	R/W	R/W	R/W	R/W	R/W	R/W	R/W	R/W	R/W	R/W	R/W	R/W
Function	Unsigned Integer															
Default Value	0	0	0	0	0	0	1	1	1	0	1	1	0	0	0	1

### 10.17 VOUT\_MARGIN\_LOW (26h)

**Definition:** Sets the value of  $V_{OUT}$  when the OPERATION command is configured for margin low. 1mV per LSB.

**Access:** Paged

**Data Length in Bytes:** 2

**Data Format:** Direct

**Type:** R/W

**Default Value:** 357h (855mV)

**Units:** mV

**Equation:**  $V_{OUT}$  Margin Low = (Direct value)

**Range:** 0mV to 3050mV

Command	VOUT_MARGIN_LOW (26h)															
Format	Direct															
Bit Position	15	14	13	12	11	10	9	8	7	6	5	4	3	2	1	0
Access	R/W	R/W	R/W	R/W	R/W	R/W	R/W	R/W	R/W	R/W	R/W	R/W	R/W	R/W	R/W	R/W
Function	Unsigned Integer															
Default Value	0	0	0	0	0	0	1	1	0	1	0	1	0	0	0	1

### 10.18 VOUT\_TRANSITION\_RATE (27h)

**Definition:** Defines the output voltage rate of change during regulation. 0.01mV/μs per LSB.

**Access:** Paged

**Data Length in Bytes:** 2

**Data Format:** Direct

**Type:** R/W

**Default Value:** 9C4h (25mV/μs)

**Units:** mV/μs

**Equation:**  $V_{OUT}$  Transition Rate = (Direct value) / 100

**Range:** 10μV/μs to 100mV/μs

Command	VOUT_TRANSITION_RATE (27h)															
Format	Direct															
Bit Position	15	14	13	12	11	10	9	8	7	6	5	4	3	2	1	0
Access	R/W	R/W	R/W	R/W	R/W	R/W	R/W	R/W	R/W	R/W	R/W	R/W	R/W	R/W	R/W	R/W
Function	Unsigned Integer															
Default Value	0	0	0	0	1	0	0	1	1	1	0	0	0	1	0	0

### 10.19 VOUT\_DROOP (28h)

**Definition:** Sets the rate at which output voltage changes relative to output current during regulation. 10μV/A per LSB.

**Access:** Paged

**Data Length in Bytes:** 2

**Data Format:** Direct

**Type:** R/W

**Default Value:** 0000h (0μV/A)

**Units:** μV/A

**Equation:**  $V_{OUT}$  Droop = (Direct value) x 10

**Range:** 0μV/A to 16000μV/A

Command	VOUT_DROOP (28h)															
Format	Direct															
Bit Position	15	14	13	12	11	10	9	8	7	6	5	4	3	2	1	0
Access	R/W	R/W	R/W	R/W	R/W	R/W	R/W	R/W	R/W	R/W	R/W	R/W	R/W	R/W	R/W	R/W
Function	Unsigned Integer															
Default Value	0	0	0	0	0	0	0	0	0	0	0	0	0	0	0	0

## 10.20 VOUT\_MIN (2Bh)

**Definition:** Sets the absolute minimum voltage that is delivered to the output during regulation. 1mV per LSB.

**Access:** Paged

**Data Length in Bytes:** 2

**Data Format:** Direct

**Type:** R/W

**Default Value:** 0000h

**Units:** mV

**Equation:**  $V_{OUT\ Min} = (\text{Direct value})$

**Range:** 0mV to 3050mV

Command	VOUT_MIN (2Bh)															
Format	Direct															
Bit Position	15	14	13	12	11	10	9	8	7	6	5	4	3	2	1	0
Access	R/W	R/W	R/W	R/W	R/W	R/W	R/W	R/W	R/W	R/W	R/W	R/W	R/W	R/W	R/W	R/W
Function	Unsigned Integer															
Default Value	0	0	0	0	0	0	0	0	0	0	0	0	0	0	0	0

## 10.21 FREQUENCY\_SWITCH (33h)

**Definition:** Sets the PWM switching frequency during regulation. 1kHz per LSB.

**Access:** Paged

**Data Length in Bytes:** 2

**Data Format:** Direct

**Type:** R/W

**Default Value:** 0258h (600kHz)

**Units:** kHz

**Equation:** Frequency Switch = (Direct value)

**Range:** 200kHz to 2MHz

Command	FREQUENCY_SWITCH (33h)															
Format	Direct															
Bit Position	15	14	13	12	11	10	9	8	7	6	5	4	3	2	1	0
Access	R/W	R/W	R/W	R/W	R/W	R/W	R/W	R/W	R/W	R/W	R/W	R/W	R/W	R/W	R/W	R/W
Function	Unsigned Integer															
Default Value	0	0	0	0	0	0	1	0	0	1	0	1	1	0	0	0



## 10.22 POWER\_MODE (34h)

**Definition:** Sets the power conversion mode.

Maximum Efficiency Mode (0):

- Voltage down transitions happen immediately with decay (PWM tri-state).
- Phase dropping is enabled irrespective of the APD setting in the LOOPCFG command.
- Diode emulation can be enabled using LOOPCFG[6].

Maximum Power Mode (3) defaults:

- Voltage down transitions happen as programmed in the TOFF\_DELAY and TOFF\_FALL commands.
- Phase automatic add/drop is enabled using LOOPCFG[0].
- Diode emulation can be enabled using LOOPCFG[28].

MFR Defined (4) defaults:

- Voltage down transitions happen immediately with decay (PWM tri-state).
- Phase dropping is enabled irrespective of the APD setting in the LOOPCFG command.
- Diode emulation can be enabled using LOOPCFG[6] and LOOPCFG[28].

**Access:** Paged

**Data Length in Bytes:** 1

**Data Format:** Bit Field

**Type:** R/W

**Default Value:** 03h, Maximum Power

Command	POWER_MODE (34h)							
Format	Bit Field							
Bit Position	7	6	5	4	3	2	1	0
Access	R/W	R/W	R/W	R/W	R/W	R/W	R/W	R/W
Function	See Following Table							
Default Value	0	0	0	0	0	0	1	1

Bit Value	Setting
04h	MFR defined
03h	Maximum power
00h	Maximum efficiency

### 10.23 VIN\_ON (35h)

**Definition:** Sets the input voltage rising threshold at which the output can be enabled. 10mV per LSB.

**Access:** Paged

**Data Length in Bytes:** 2

**Data Format:** Direct

**Type:** R/W

**Default Value:** 02BCh (7000mV)

**Units:** mV

**Equation:**  $V_{IN\ On} = (\text{Direct value}) \times 10$

**Range:** -327680mV to 327670mV

Command	VIN_ON (35h)															
Format	Direct															
Bit Position	15	14	13	12	11	10	9	8	7	6	5	4	3	2	1	0
Access	R/W	R/W	R/W	R/W	R/W	R/W	R/W	R/W	R/W	R/W	R/W	R/W	R/W	R/W	R/W	R/W
Function	Two's Complement Integer															
Default Value	0	0	0	0	0	0	1	0	1	0	1	1	1	1	0	0

### 10.24 VIN\_OFF (36h)

**Definition:** Sets the input voltage falling threshold at which the output disables. 10mV per LSB.

**Access:** Paged

**Data Length in Bytes:** 2

**Data Format:** Direct

**Type:** R/W

**Default Value:** 01F4 (5000mV)

**Units:** mV

**Equation:**  $V_{IN\ Off} = (\text{Direct value}) \times 10$

**Range:** -327680mV to 327670mV

Command	VIN_OFF (36h)															
Format	Direct															
Bit Position	15	14	13	12	11	10	9	8	7	6	5	4	3	2	1	0
Access	R/W	R/W	R/W	R/W	R/W	R/W	R/W	R/W	R/W	R/W	R/W	R/W	R/W	R/W	R/W	R/W
Function	Two's Complement Integer															
Default Value	0	0	0	0	0	0	0	1	1	1	1	1	0	1	0	0

## 10.25 VOUT\_OV\_FAULT\_LIMIT (40h)

**Definition:** Sets the disabled rail overvoltage threshold. 1mV per LSB.

**Access:** Paged

**Data Length in Bytes:** 2

**Data Format:** Direct

**Type:** R/W

**Default Value:** 0C1Ch (3100mV)

**Units:** mV

**Equation:**  $V_{OUT}$  OV Fault Limit = (Direct value)

**Range:** 0mV to 3050mV

Command	VOUT_OV_FAULT_LIMIT (40h)															
Format	Direct															
Bit Position	15	14	13	12	11	10	9	8	7	6	5	4	3	2	1	0
Access	R/W	R/W	R/W	R/W	R/W	R/W	R/W	R/W	R/W	R/W	R/W	R/W	R/W	R/W	R/W	R/W
Function	Unsigned Integer															
Default Value	0	0	0	0	1	1	0	0	0	0	0	1	1	1	0	0

## 10.26 VOUT\_OV\_FAULT\_RESPONSE (41h)

**Definition:** Configures the output overvoltage fault response. For a fault to be considered cleared, the output must drop by 100mV.

**Access:** Paged

**Data Length in Bytes:** 1

**Data Format:** Bit Field

**Type:** R/W

**Default Value:** 84h (latch off)

Command	VOUT_OV_FAULT_RESPONSE (41h)							
Format	Bit Field							
Bit Position	7	6	5	4	3	2	1	0
Access	R/W	R/W	R/W	R/W	R/W	R/W	R/W	R/W
Function	See Following Table							
Default Value	1	0	0	0	0	1	0	0

Bit	Field Name	Value	Description
7:6	Response Behavior During a fault, the device: • Pulls PMALRT low • Sets the related fault bit in the status registers.	00	Continue without interruption.
		01	Not supported
		10	Disable and retry according to the setting in Bits [5:3].
		11	Not supported
5:3	Retry Setting	000	No retry. The output remains disabled until the rail is restarted.
		001-110	Not supported
		111	Attempts to restart continuously, without limitation, until it is commanded OFF (by the CONTROL pin or OPERATION command), bias power is removed, or another fault condition causes the unit to shut down. The time between retries is set by Bits [2:0].
2:0	Delay Time before Retry	000	0ms delay (not recommended)
		001-110	Delay 25ms per LSB
		111	Delay 175ms

**10.27 VOUT\_UV\_FAULT\_LIMIT (44h)**

**Definition:** Sets the output undervoltage fault threshold. 1mV per LSB. This fault is masked during ramp or when disabled.

**Access:** Paged

**Data Length in Bytes:** 2

**Data Format:** Direct

**Type:** R/W

**Default Value:** 0mV

**Units:** mV

**Equation:**  $V_{OUT}$  UV Fault Limit = (Direct value)

**Range:** 0V to 3.05V

Command	VOUT_UV_FAULT_LIMIT (44h)															
Format	Direct															
Bit Position	15	14	13	12	11	10	9	8	7	6	5	4	3	2	1	0
Access	R/W	R/W	R/W	R/W	R/W	R/W	R/W	R/W	R/W	R/W	R/W	R/W	R/W	R/W	R/W	R/W
Function	Unsigned Integer															
Default Value	0	0	0	0	0	0	0	0	0	0	0	0	0	0	0	0

## 10.28 VOUT\_UV\_FAULT\_RESPONSE (45h)

**Definition:** Configures the output undervoltage fault response. This fault is masked during ramp or when disabled.

**Access:** Paged

**Data Length in Bytes:** 1

**Data Format:** Bit Field

**Type:** R/W

**Default Value:** 84h (latch off)

Command	VOUT_UV_FAULT_RESPONSE (45h)							
Format	Bit Field							
Bit Position	7	6	5	4	3	2	1	0
Access	R/W	R/W	R/W	R/W	R/W	R/W	R/W	R/W
Function	See Following Table							
Default Value	1	0	0	0	0	1	0	0

Bit	Field Name	Value	Description
7:6	Response Behavior During a fault, the device: • Pulls PMALRT low • Sets the related fault bit in the status registers.	00	Continue without interruption.
		01	Not supported
		10	Disable and retry according to the setting in Bits [5:3].
		11	Not supported
5:3	Retry Setting	000	No retry. The output remains disabled until the rail is restarted.
		001-110	Not supported
		111	Attempts to restart continuously, without limitation, until it is commanded OFF (by the CONTROL pin or OPERATION command), bias power is removed, or another fault condition causes the unit to shut down. The time between retries is set by Bits [2:0].
2:0	Delay Time before Retry	000	Delay 0ms (not recommended)
		001-110	Delay 25ms per LSB
		111	Delay 175ms

**10.29 IOUT\_OC\_FAULT\_LIMIT (46h)**

**Definition:** Sets the fast sum output overcurrent fault threshold. 0.1A per LSB.

**Access:** Paged

**Data Length in Bytes:** 2

**Data Format:** Direct

**Type:** R/W

**Default Value:** 12Ch (30A)

**Units:** A

**Equation:**  $I_{OUT} \text{ OC Fault Limit} = (\text{Direct value}) / 10$

**Range:** 0A to 3276.7A

Command	IOUT_OC_FAULT_LIMIT (46h)															
Format	Direct															
Bit Position	15	14	13	12	11	10	9	8	7	6	5	4	3	2	1	0
Access	R/W	R/W	R/W	R/W	R/W	R/W	R/W	R/W	R/W	R/W	R/W	R/W	R/W	R/W	R/W	R/W
Function	Unsigned Integer															
Default Value	0	0	0	0	0	0	0	1	0	0	1	0	1	1	0	0

### 10.30 IOUT\_OC\_FAULT\_RESPONSE (47h)

**Definition:** Configures the output overcurrent fault response for all I<sub>OUT</sub> OC detection methods. This response setting is also applied to output undercurrent faults.

**Access:** Paged

**Data Length in Bytes:** 1

**Data Format:** Bit Field

**Type:** R/W

**Default Value:** C4h (latch off)

Command	IOUT_OC_FAULT_RESPONSE (47h)							
Format	Bit Field							
Bit Position	7	6	5	4	3	2	1	0
Access	R/W	R/W	R/W	R/W	R/W	R/W	R/W	R/W
Function	See Following Table							
Default Value	1	1	0	0	0	1	0	0

Bit	Field Name	Value	Description
7:6	Response Behavior During a fault, the device: • Pulls PMALRT low • Sets the related fault bit in the status registers.	00	Continue without interruption.
		01-10	Not supported
		11	Disable and retry as set in Bits [5:3]
5:3	Retry Setting	000	No retry. The output remains disabled until the rail is restarted.
		001-110	Not supported
		111	Attempts to restart continuously, without limitation, until it is commanded OFF (by the CONTROL pin or OPERATION command), bias power is removed, or another fault condition causes the unit to shut down. The time between retries is set by Bits [2:0].
2:0	Delay Time before Retry	000	Delay 0ms (not recommended)
		001-110	Delay 25ms per LSB
		111	Delay 175ms



**10.31 OT\_FAULT\_LIMIT (4Fh)**

**Definition:** Sets the power stage over-temperature fault limit. 1°C per LSB.

**Access:** Paged

**Data Length in Bytes:** 2

**Data Format:** Direct

**Type:** R/W

**Default Value:** 007Dh (125°C)

**Units:** °C

**Equation:** OT Fault Limit = (Direct value)

**Range:** 0°C to +150°C

Command	OT_FAULT_LIMIT (4Fh)																
Format	Direct																
Bit Position	15	14	13	12	11	10	9	8	7	6	5	4	3	2	1	0	
Access	R/W	R/W	R/W	R/W	R/W	R/W	R/W	R/W	R/W	R/W	R/W	R/W	R/W	R/W	R/W	R/W	
Function	Unsigned Integer																
Default Value	0	0	0	0	0	0	0	0	0	0	1	1	1	1	1	0	1

### 10.32 OT\_FAULT\_RESPONSE (50h)

**Definition:** Configures the power stage over-temperature fault response. For a fault to be considered cleared, the temperature must drop 5°C below the OT fault threshold value.

**Access:** Paged

**Data Length in Bytes:** 1

**Data Format:** Bit Field

**Type:** R/W

**Default Value:** 84h (latch off)

Command	OT_FAULT_RESPONSE (50h)							
Format	Bit Field							
Bit Position	7	6	5	4	3	2	1	0
Access	R/W	R/W	R/W	R/W	R/W	R/W	R/W	R/W
Function	See Following Table							
Default Value	1	0	0	0	0	1	0	0

Bit	Field Name	Value	Description
7:6	Response Behavior During a fault, the device: • Pulls PMALRT low • Sets the related fault bit in the status registers.	00	Continue without interruption.
		01	Not supported
		10	Disable and retry according to the setting in Bits [5:3].
		11	Not supported
5:3	Retry Setting	000	No retry. The output remains disabled until the rail is restarted.
		001-110	Not supported
		111	Attempts to restart continuously, without limitation, until it is commanded OFF (by the CONTROL pin or OPERATION command), bias power is removed, or another fault condition causes the unit to shut down. The time between retries is set by Bits [2:0].
2:0	Delay Time before Retry	000	Delay 0ms (not recommended)
		001-110	Delay 25ms per LSB
		111	Delay 175ms

### 10.33 OT\_WARN\_LIMIT (51h)

**Definition:** Sets the power stage over-temperature warning limit. 1°C per LSB.

**Access:** Paged

**Data Length in Bytes:** 2

**Data Format:** Direct

**Type:** R/W

**Default Value:** 006Eh (110°C)

**Units:** °C

**Equation:** OT Warn Limit = (Direct value)

**Range:** 0°C to 150°C

Command	OT_WARN_LIMIT (51h)															
Format	Direct															
Bit Position	15	14	13	12	11	10	9	8	7	6	5	4	3	2	1	0
Access	R/W	R/W	R/W	R/W	R/W	R/W	R/W	R/W	R/W	R/W	R/W	R/W	R/W	R/W	R/W	R/W
Function	Two's Complement Integer															
Default Value	0	0	0	0	0	0	0	0	0	1	1	0	1	1	1	0

### 10.34 UT\_FAULT\_LIMIT (53h)

**Definition:** Sets the power stage under-temperature fault limit. 1°C per LSB.

**Access:** Paged

**Data Length in Bytes:** 2

**Data Format:** Direct

**Type:** R/W

**Default Value:** FFD8h (-40°C)

**Units:** °C

**Equation:** UT Fault Limit = (Direct value)

**Range:** -50°C to 150°C

Command	UT_FAULT_LIMIT (53h)															
Format	Direct															
Bit Position	15	14	13	12	11	10	9	8	7	6	5	4	3	2	1	0
Access	R/W	R/W	R/W	R/W	R/W	R/W	R/W	R/W	R/W	R/W	R/W	R/W	R/W	R/W	R/W	R/W
Function	Two's Complement Integer															
Default Value	1	1	1	1	1	1	1	1	1	1	0	1	1	0	0	0

### 10.35 UT\_FAULT\_RESPONSE (54h)

**Definition:** Configures the power stage under-temperature fault response. For the fault to be considered cleared, the temperature must rise 5°C above the UT fault threshold value.

**Access:** Paged

**Data Length in Bytes:** 1

**Data Format:** Bit Field

**Type:** R/W

**Default Value:** 84h (latch off)

Command	UT_FAULT_RESPONSE (54h)							
Format	Bit Field							
Bit Position	7	6	5	4	3	2	1	0
Access	R/W	R/W	R/W	R/W	R/W	R/W	R/W	R/W
Function	See Following Table							
Default Value	1	0	0	0	0	1	0	0

Bit	Field Name	Value	Description
7:6	Response Behavior During a fault, the device: • Pulls PMALRT low • Sets the related fault bit in the status registers.	00	Continue without interruption.
		01	Not supported
		10	Disable and retry according to the setting in Bits [5:3].
		11	Not supported
5:3	Retry Setting	000	No retry. The output remains disabled until the device is restarted.
		001-110	Not supported
		111	Attempts to restart continuously without limitation until it is commanded OFF (by the CONTROL pin or OPERATION command), bias power is removed, or another fault condition causes the unit to shut down. The time between retries is set by Bits [2:0].
2:0	Delay Time before Retry	000	Delay 0ms (not recommended)
		001-110	Delay 25ms per LSB
		111	Delay 175ms

**10.36 VIN\_OV\_FAULT\_LIMIT (55h)**

**Definition:** Sets the  $V_{IN}$  overvoltage fault threshold. 10mV per LSB.

**Access:** Paged

**Data Length in Bytes:** 2

**Data Format:** Direct

**Type:** R/W

**Default Value:** 0640h (16000mV)

**Units:** mV

**Equation:**  $V_{IN}$  OV Fault Limit = (Direct value) x 10

**Range:** -327680mV to 327670mV

Command	VIN_OV_FAULT_LIMIT (55h)															
Format	Direct															
Bit Position	15	14	13	12	11	10	9	8	7	6	5	4	3	2	1	0
Access	R/W	R/W	R/W	R/W	R/W	R/W	R/W	R/W	R/W	R/W	R/W	R/W	R/W	R/W	R/W	R/W
Function	Two's Complement Integer															
Default Value	0	0	0	0	0	1	1	0	0	1	0	0	0	0	0	0

### 10.37 VIN\_OV\_FAULT\_RESPONSE (56h)

**Definition:** Configures the input overvoltage fault response. For a fault to be considered cleared, the input voltage must drop by 1/16th of the OV fault threshold value.

**Access:** Paged

**Data Length in Bytes:** 1

**Data Format:** Bit Field

**Type:** R/W

**Default Value:** 84h (latch off)

Command	VIN_OV_FAULT_RESPONSE (56h)							
Format	Bit Field							
Bit Position	7	6	5	4	3	2	1	0
Access	R/W	R/W	R/W	R/W	R/W	R/W	R/W	R/W
Function	See Following Table							
Default Value	1	0	0	0	0	1	0	0

Bit	Field Name	Value	Description
7:6	Response Behavior During a fault, the device: • Pulls PMALRT low • Sets the related fault bit in the status registers.	00	Continue without interruption.
		01	Not supported
		10	Disable and retry according to the setting in Bits [5:3].
		11	Not supported
5:3	Retry Setting	000	No retry. The output remains disabled until the device is restarted.
		001-110	Not supported
		111	Attempts to restart continuously without limitation until it is commanded OFF (by the CONTROL pin or OPERATION command), bias power is removed, or another fault condition causes the unit to shut down. The time between retries is set by Bits [2:0].
2:0	Delay Time before Retry	000	Delay 0ms (not recommended)
		001-110	Delay 25ms per LSB
		111	Delay 175ms

**10.38 VIN\_OV\_WARN\_LIMIT (57h)**

**Definition:** Sets the  $V_{IN}$  undervoltage fault threshold. 10mV per LSB.

**Access:** Paged

**Data Length in Bytes:** 2

**Data Format:** Direct

**Type:** R/W

**Default Value:** 708h (18000mV)

**Units:** mV

**Equation:**  $V_{IN}$  OV Warn Limit = (Direct value) x 10

**Range:** 0mV to 327670mV

Command	VIN_OV_WARN_LIMIT (57h)															
Format	Direct															
Bit Position	15	14	13	12	11	10	9	8	7	6	5	4	3	2	1	0
Access	R/W	R/W	R/W	R/W	R/W	R/W	R/W	R/W	R/W	R/W	R/W	R/W	R/W	R/W	R/W	R/W
Function	Two's Complement Integer															
Default Value	0	0	0	0	0	1	1	1	0	0	0	0	1	0	0	0

**10.39 VIN\_UV\_WARN\_LIMIT (58h)**

**Definition:** Sets the  $V_{IN}$  undervoltage warning threshold. 10mV per LSB.

**Access:** Paged

**Data Length in Bytes:** 2

**Data Format:** Direct

**Type:** R/W

**Default Value:** 0000h (0V)

**Units:** mV

**Equation:**  $V_{IN}$  UV Warn Limit = (Direct value) x 10

**Range:** 0mV to 327670mV

Command	VIN_UV_WARN_LIMIT (58h)															
Format	Direct															
Bit Position	15	14	13	12	11	10	9	8	7	6	5	4	3	2	1	0
Access	R/W	R/W	R/W	R/W	R/W	R/W	R/W	R/W	R/W	R/W	R/W	R/W	R/W	R/W	R/W	R/W
Function	Two's Complement Integer															
Default Value	0	0	0	0	0	0	0	0	0	0	0	0	0	0	0	0

### 10.40 VIN\_UV\_FAULT\_LIMIT (59h)

**Definition:** Sets the  $V_{IN}$  undervoltage fault threshold. 10mV per LSB. If using VIN\_ON and VIN\_OFF commands, this command should be set to 0V.

**Access:** Paged

**Data Length in Bytes:** 2

**Data Format:** Direct

**Type:** R/W

**Default Value:** 0000h (0mV)

**Units:** mV

**Equation:**  $V_{IN}$  UV Fault Limit = (Direct value) x 10

**Range:** -327680mV to 327670mV

Command	VIN_UV_FAULT_LIMIT (59h)															
Format	Direct															
Bit Position	15	14	13	12	11	10	9	8	7	6	5	4	3	2	1	0
Access	R/W	R/W	R/W	R/W	R/W	R/W	R/W	R/W	R/W	R/W	R/W	R/W	R/W	R/W	R/W	R/W
Function	Two's Complement Integer															
Default Value	0	0	0	0	0	0	0	0	0	0	0	0	0	0	0	0



### 10.41 VIN\_UV\_FAULT\_RESPONSE (5Ah)

**Definition:** Configures the input undervoltage fault response. For a fault to be considered cleared, the input voltage must rise by 1/16th of the UV fault threshold value.

**Access:** Paged

**Data Length in Bytes:** 1

**Data Format:** Bit Field

**Type:** R/W

**Default Value:** 84h (latch off)

Command	VIN_UV_FAULT_RESPONSE (5Ah)							
Format	Bit Field							
Bit Position	7	6	5	4	3	2	1	0
Access	R/W	R/W	R/W	R/W	R/W	R/W	R/W	R/W
Function	See Following Table							
Default Value	1	0	0	0	0	1	0	0

Bit	Field Name	Value	Description
7:6	Response Behavior During a fault, the device: • Pulls PMALRT low • Sets the related fault bit in the status registers.	00	Continue without interruption.
		01	Not supported
		10	Disable and retry according to the setting in Bits [5:3].
		11	Not supported
5:3	Retry Setting	000	No retry. The output remains disabled until the device is restarted.
		001-110	Not supported
		111	Attempts to restart continuously, without limitation, until it is commanded OFF (by the CONTROL pin or OPERATION command), bias power is removed, or another fault condition causes the unit to shut down. The time between retries is set by Bits [2:0].
2:0	Delay Time before Retry	000	Delay 0ms (not recommended)
		001-110	Delay 25ms per LSB
		111	Delay 175ms

**10.42 IIN\_OC\_FAULT\_LIMIT (5Bh)**

**Definition:** Sets the input overcurrent fault threshold for the synthesized input current reading at READ\_IIN. 10mA per LSB.

**Access:** Paged

**Data Length in Bytes:** 2

**Data Format:** Direct

**Type:** R/W

**Default Value:** 1388h (50A)

**Units:** A

**Equation:**  $I_{IN} \text{ OC Fault Limit} = (\text{Direct value}) / 100$

**Range:** -327.68A to 327.67A

Command	IIN_OC_FAULT_LIMIT (5Bh)															
Format	Direct															
Bit Position	15	14	13	12	11	10	9	8	7	6	5	4	3	2	1	0
Access	R/W	R/W	R/W	R/W	R/W	R/W	R/W	R/W	R/W	R/W	R/W	R/W	R/W	R/W	R/W	R/W
Function	Two's Complement Integer															
Default Value	0	0	0	1	0	0	1	1	1	0	0	0	1	0	0	0

### 10.43 IIN\_OC\_FAULT\_RESPONSE (5Ch)

**Definition:** Configures the input overcurrent fault response for the synthesized input current reading at READ\_IIN.

**Access:** Paged

**Data Length in Bytes:** 1

**Data Format:** Bit Field

**Type:** R/W

**Default Value:** 04h (ignore)

Command	IIN_OC_FAULT_RESPONSE (5Ch)							
Format	Bit Field							
Bit Position	7	6	5	4	3	2	1	0
Access	R/W	R/W	R/W	R/W	R/W	R/W	R/W	R/W
Function	See Following Table							
Default Value	0	0	0	0	0	1	0	0

Bit	Field Name	Value	Description
7:6	Response Behavior During a fault, the device: • Pulls PMALRT low • Sets the related fault bit in the status registers.	00	Continue without interruption.
		01-10	Not supported
		11	Disable and retry as set in Bits [5:3].
5:3	Retry Setting	000	No retry. The output remains disabled until the device is restarted.
		001-110	Not supported
		111	Attempts to restart continuously, without limitation, until it is commanded OFF (by the CONTROL pin or OPERATION command), bias power is removed, or another fault condition causes the unit to shut down. The time between retries is set by Bits [2:0].
2:0	Delay Time before Retry	000	Delay 0ms (not recommended)
		001-110	Delay 25ms per LSB
		111	Delay 175ms

### 10.44 IIN\_OC\_WARN\_LIMIT (5Dh)

**Definition:** Sets the input overcurrent warning threshold. 10mA per LSB.

**Access:** Paged

**Data Length in Bytes:** 2

**Data Format:** Direct

**Type:** R/W

**Default Value:** 3A98h (150A)

**Units:** A

**Equation:**  $I_{IN} \text{ OC Warn Limit} = (\text{Direct value}) / 100$

Command	IIN_OC_WARN_LIMIT (5Dh)															
Format	Direct															
Bit Position	15	14	13	12	11	10	9	8	7	6	5	4	3	2	1	0
Access	R/W	R/W	R/W	R/W	R/W	R/W	R/W	R/W	R/W	R/W	R/W	R/W	R/W	R/W	R/W	R/W
Function	Two's Complement Integer															
Default Value	0	0	1	1	1	0	1	0	1	0	0	1	1	0	0	0

### 10.45 TON\_DELAY (60h)

**Definition:** Sets the delay time from when the device is enabled to the start of  $V_{OUT}$  rise. 10 $\mu$ s per LSB.

**Access:** Paged

**Data Length in Bytes:** 2

**Data Format:** Direct

**Type:** R/W

**Default Value:** 0000h (0 $\mu$ s)

**Units:**  $\mu$ s

**Equation:**  $t_{ON} \text{ Delay} = (\text{Direct value}) \times 10$

**Range:** 0 $\mu$ s to 655534 $\mu$ s

Command	TON_DELAY (60h)															
Format	Direct															
Bit Position	15	14	13	12	11	10	9	8	7	6	5	4	3	2	1	0
Access	R/W	R/W	R/W	R/W	R/W	R/W	R/W	R/W	R/W	R/W	R/W	R/W	R/W	R/W	R/W	R/W
Function	Unsigned Integer															
Default Value	0	0	0	0	0	0	0	0	0	0	0	0	0	0	0	0

**10.46 TON\_RISE (61h)**

**Definition:** Sets the rise time of  $V_{OUT}$  during enable. 1 $\mu$ s per LSB.

**Access:** Paged

**Data Length in Bytes:** 2

**Data Format:** Direct

**Type:** R/W

**Default Value:** 01F4h (500 $\mu$ s)

**Units:**  $\mu$ s

**Equation:**  $t_{ON}$  Rise = (Direct value)

**Range:** 0 $\mu$ s to 10000 $\mu$ s

Command	TON_RISE (61h)															
Format	Direct															
Bit Position	15	14	13	12	11	10	9	8	7	6	5	4	3	2	1	0
Access	R/W	R/W	R/W	R/W	R/W	R/W	R/W	R/W	R/W	R/W	R/W	R/W	R/W	R/W	R/W	R/W
Function	Unsigned Integer															
Default Value	0	0	0	0	0	0	0	1	0	1	0	0	1	1	1	1

**10.47 TOFF\_DELAY (64h)**

**Definition:** Sets the delay time of  $V_{OUT}$  during disable when configured for soft off. 10 $\mu$ s per LSB.

**Access:** Paged

**Data Length in Bytes:** 2

**Data Format:** Direct

**Type:** R/W

**Default Value:** 0000h (0 $\mu$ s)

**Units:**  $\mu$ s

**Equation:**  $t_{OFF}$  Delay = (Direct value) x 10

**Range:** 0 $\mu$ s to 655534 $\mu$ s

Command	TOFF_DELAY (64h)															
Format	Direct															
Bit Position	15	14	13	12	11	10	9	8	7	6	5	4	3	2	1	0
Access	R/W	R/W	R/W	R/W	R/W	R/W	R/W	R/W	R/W	R/W	R/W	R/W	R/W	R/W	R/W	R/W
Function	Unsigned Integer															
Default Value	0	0	0	0	0	0	0	0	0	0	0	0	0	0	0	0

### 10.48 TOFF\_FALL (65h)

**Definition:** Sets the fall time of  $V_{OUT}$  during disable when configured for soft off. 1 $\mu$ s per LSB.

**Access:** Paged

**Data Length in Bytes:** 2

**Data Format:** Direct

**Type:** R/W

**Default Value:** 01F4h (500 $\mu$ s)

**Units:**  $\mu$ s

**Equation:**  $t_{OFF}$  Fall = (Direct value)

**Range:** 0 $\mu$ s to 10000 $\mu$ s

Command	TOFF_FALL (65h)															
Format	Direct															
Bit Position	15	14	13	12	11	10	9	8	7	6	5	4	3	2	1	0
Access	R/W	R/W	R/W	R/W	R/W	R/W	R/W	R/W	R/W	R/W	R/W	R/W	R/W	R/W	R/W	R/W
Function	Unsigned Integer															
Default Value	0	0	0	0	0	0	0	1	0	1	0	0	1	1	1	1

### 10.49 STATUS\_BYTE (78h)

**Definition:** Returns a summary of the device status. Based on the information in this byte, the host can get more information by reading the appropriate status registers. Depending on the setting of the PAGE command, this command returns information about individual rails or a global summary of all rail statuses.

**Access:** Paged and Global

**Data Length in Bytes:** 2

**Data Format:** Bit Field

**Type:** Read Only

Command	STATUS_BYTE (78h)							
Format	Bit Field							
Bit Position	7	6	5	4	3	2	1	0
Access	R	R	R	R	R	R	R	R
Function	See Following Table							

Bit Number	Status Bit Name	Meaning
7	BUSY	A fault was declared because the device was busy and unable to respond.
6	OFF	This bit is asserted if the unit is not providing power to the output, regardless of the reason, including simply not being enabled.
5	VOUT_OV_FAULT	An output overvoltage fault occurred.
4	IOUT_OC_FAULT	An output overcurrent fault occurred.
3	VIN_UV_FAULT	An input undervoltage fault occurred.
2	TEMPERATURE	A temperature fault or warning occurred.
1	CML	A communications, memory, or logic fault occurred.
0	None of the Above	A fault other than those listed above occurred.

## 10.50 STATUS\_WORD (79h)

**Definition:** Returns a summary of the device status. Based on the information in these bytes, the host can get more information by reading the appropriate status registers. Depending on the setting of the PAGE command, this command returns information about individual rails or a global summary of all rail statuses. The low byte of the STATUS\_WORD is the same as the STATUS\_BYTE (78h) command.

**Access:** Paged and Global

**Data Length in Bytes:** 2

**Data Format:** Bit Field

**Type:** Read Only

Command	STATUS_WORD (79h)															
Format	Bit Field															
Bit Position	15	14	13	12	11	10	9	8	7	6	5	4	3	2	1	0
Access	R	R	R	R	R	R	R	R	R	R	R	R	R	R	R	R
Function	See Following Table															

Bit Number	Status Bit Name	Meaning
15	V <sub>OUT</sub>	An output voltage fault or warning occurred.
14	I <sub>OUT</sub>	An output current fault occurred.
13	INPUT	An input voltage fault or warning occurred.
12	MFR_SPECIFIC	A manufacturer specific fault or warning occurred.
11	POWER_GOOD #	The POWER_GOOD signal is negated ( <a href="#">Note 8</a> ).
10:9	Not Supported	Not supported
8	Unknown	A fault other than those described in Bits[15:9] occurred.
7	Busy	Device busy and unable to respond.
6	OFF	This bit is asserted if the unit is not providing power to the output, regardless of the reason, including simply not being enabled.
5	VOUT_OV_FAULT	An output overvoltage fault occurred.
4	IOUT_OC_FAULT	An output overcurrent fault occurred.
3	VIN_UV_FAULT	An input undervoltage fault occurred.
2	TEMPERATURE	A temperature fault or warning occurred.
1	CML	A communications, memory, or logic fault occurred.
0	None of the Above	A status change other than those listed above occurred.

**Note:**

8. If the POWER\_GOOD# Bit is set, this indicates that the POWER\_GOOD signal is signaling that the output power is not good.

### 10.51 STATUS\_VOUT (7Ah)

**Definition:** Returns a summary of output voltage status.

**Access:** Paged

**Data Length in Bytes:** 1

**Data Format:** Bit Field

**Type:** Read Only

Command	STATUS_VOUT (7Ah)							
Format	Bit Field							
Bit Position	7	6	5	4	3	2	1	0
Access	R	R	R	R	R	R	R	R
Function	See Following Table							

Bit Number	Status Bit Name	Meaning
7	VOUT_OV_FAULT	Indicates an output overvoltage fault occurred.
6:5	Not Supported	Not supported
4	VOUT_UV_FAULT	Indicates an output undervoltage fault occurred.
3	VOUT_MAX Warning	Indicates an output voltage maximum warning occurred.
2:0	Not Supported	Not supported

### 10.52 STATUS\_IOUT (7Bh)

**Definition:** Returns a summary of output current status.

**Access:** Paged

**Data Length in Bytes:** 1

**Data Format:** Bit Field

**Type:** Read Only

Command	STATUS_IOUT (7Bh)							
Format	Bit Field							
Bit Position	7	6	5	4	3	2	1	0
Access	R	R	R	R	R	R	R	R
Function	See Following Table							

Bit Number	Status Bit Name	Meaning
7	IOUT_OC_FAULT	An output overcurrent fault occurred.
6	Not Supported	Not supported
5	Not supported	Not supported
4	IOUT_UC_FAULT	An output undercurrent fault occurred.
3	Current Share Fault	A current share fault occurred.
2:0	Not Supported	Not supported



### 10.53 STATUS\_INPUT (7Ch)

**Definition:** Returns a summary of input status.

**Access:** Paged

**Data Length in Bytes:** 1

**Data Format:** Bit Field

**Type:** Read Only

Command	STATUS_INPUT (7Ch)							
Format	Bit Field							
Bit Position	7	6	5	4	3	2	1	0
Access	R	R	R	R	R	R	R	R
Function	See Following Table							

Bit Number	Status Bit Name	Meaning
7	VIN_OV_FAULT	An input overvoltage fault occurred.
6	VIN_OV_WARN	An input overvoltage warning occurred.
5	VIN_UV_WARN	An input undervoltage warning occurred.
4	VIN_UV_FAULT	An input undervoltage fault occurred.
3	VIN_ON/OFF	Disabled due to insufficient input voltage. This could be VIN or VMON.
2	IIN_OC_FAULT	An input overcurrent fault occurred.
1	IIN_OC_WARN	An input overcurrent warning occurred.
0	Not Supported	Not supported

### 10.54 STATUS\_TEMPERATURE (7Dh)

**Definition:** Returns a summary of temperature status.

**Access:** Paged

**Data Length in Bytes:** 1

**Data Format:** Bit Field

**Type:** Read Only

Command	STATUS_TEMPERATURE (7Dh)							
Format	Bit Field							
Bit Position	7	6	5	4	3	2	1	0
Access	R	R	R	R	R	R	R	R
Function	See Following Table							

Bit Number	Status Bit Name	Meaning
7	OT_FAULT	An over-temperature fault occurred.
6	OT_WARN	An over-temperature warning occurred.
5	Not Supported	Not supported
4	UT_FAULT	An under-temperature fault occurred.
3:0	Not Supported	Not supported

## 10.55 STATUS\_CML (7Eh)

**Definition:** Returns a summary of any communications, logic, and/or memory errors.

**Access:** Global

**Data Length in Bytes:** 1

**Data Format:** Bit Field

**Type:** Read Only

Command	STATUS_CML (7Eh)							
Format	Bit Field							
Bit Position	7	6	5	4	3	2	1	0
Access	R	R	R	R	R	R	R	R
Function	See Following Table							

Bit Number	Status Bit Name	Meaning
7	IUCR	Invalid or unsupported PMBus command was received. This bit sets during device discovery when using PowerNavigator.
6	IUDR	The PMBus command was sent with invalid or unsupported data.
5	PECF	A packet error check failure was detected in the PMBus command.
4	MFD	Memory fault detected. This bit sets if the selected NVM configuration location is empty or invalid.
3	PFD	Processor fault detected.
2	Not Supported	Not supported
1	OCF	A communication fault other than the ones listed in this table occurred.
0	OMLF	A memory or logical fault not listed previously was detected.

### 10.56 STATUS\_MFR\_SPECIFIC (80h)

**Definition:** Returns a summary of the manufacturer specific status.

**Access:** Global

**Data Length in Bytes:** 1

**Data Format:** Bit Field

**Type:** Read Only

Command	STATUS_MFR_SPECIFIC (80h)							
Format	Bit Field							
Bit Position	7	6	5	4	3	2	1	0
Access	R	R	R	R	R	R	R	R
Function	See Following Table							

Bit	Status Bit Name	Meaning
7	ADCUNLOCK	ADC clock unlock detected.
6	Not Supported	Not supported
5	CFP Fault	A CFP fault occurred.
4	Internal Temperature Fault	The controller internal temperature exceeded 130 °C.
3	BBEVENT	A Black Box event occurred.
2	LMSEvent	A Last Man Standing event occurred.
1	SPSFault	An SPS overcurrent and/or over-temperature event occurred.
0	Not Supported	Not supported

### 10.57 READ\_VIN (88h)

**Definition:** Returns the input voltage reading. Scaled as 10mV per LSB.

**Access:** Paged

**Data Length in Bytes:** 2

**Data Format:** Direct

**Type:** Read Only

**Units:** mV

**Equation:** Read  $V_{IN} = (\text{Direct value}) \times 10$

Command	READ_VIN (88h)															
Format	Direct															
Bit Position	15	14	13	12	11	10	9	8	7	6	5	4	3	2	1	0
Access	R	R	R	R	R	R	R	R	R	R	R	R	R	R	R	R
Function	Two's Complement Integer															

**10.58 READ\_IIN (89h)**

**Definition:** Returns the synthesized input current reading. 10mA per LSB.

**Access:** Paged

**Data Length in Bytes:** 2

**Data Format:** Direct

**Type:** Read Only

**Units:** A

**Equation:** Read  $I_{IN} = (\text{Direct value}) / 100$

Command	READ_IIN (89h)															
Format	Direct															
Bit Position	15	14	13	12	11	10	9	8	7	6	5	4	3	2	1	0
Access	R	R	R	R	R	R	R	R	R	R	R	R	R	R	R	R
Function	Two's Complement Integer															

**10.59 READ\_VOUT (8Bh)**

**Definition:** Returns the output voltage reading. 1mV per LSB.

**Access:** Paged

**Data Length in Bytes:** 2

**Data Format:** Direct

**Type:** Read Only

**Units:** mV

**Equation:** Read  $V_{OUT} = (\text{Direct value})$

Command	READ_VOUT (8Bh)															
Format	Direct															
Bit Position	15	14	13	12	11	10	9	8	7	6	5	4	3	2	1	0
Access	R	R	R	R	R	R	R	R	R	R	R	R	R	R	R	R
Function	Unsigned Integer															

**10.60 READ\_IOUT (8Ch)**

**Definition:** Returns the output current reading. 0.1A per LSB.

**Access:** Paged

**Data Length in Bytes:** 2

**Data Format:** Direct

**Type:** Read Only

**Units:** A

**Equation:** Read  $I_{OUT} = (\text{Direct value}) / 10$

Command	READ_IOUT (8Ch)															
Format	Direct															
Bit Position	15	14	13	12	11	10	9	8	7	6	5	4	3	2	1	0
Access	R	R	R	R	R	R	R	R	R	R	R	R	R	R	R	R
Function	Two's Complement Integer															

**10.61 READ\_TEMPERATURE\_1 (8Dh)**

**Definition:** Returns the temperature reading of the hottest power stage per configured rail. 1°C per LSB.

**Access:** Paged

**Data Length in Bytes:** 2

**Data Format:** Direct

**Type:** Read Only

**Units:** °C

**Equation:** Read Temperature 1 = (Direct value)

Command	READ_TEMPERATURE_1 (8Dh)															
Format	Direct															
Bit Position	15	14	13	12	11	10	9	8	7	6	5	4	3	2	1	0
Access	R	R	R	R	R	R	R	R	R	R	R	R	R	R	R	R
Function	Two's Complement Integer															

**10.62 READ\_TEMPERATURE\_2 (8Eh)**

**Definition:** Returns the internal controller temperature reading. 1°C per LSB.

**Access:** Global

**Data Length in Bytes:** 2

**Data Format:** Direct

**Type:** Read Only

**Units:** °C

**Equation:** Read Temperature 2 = (Direct value)

Command	READ_TEMPERATURE_2 (8Eh)															
Format	Direct															
Bit Position	15	14	13	12	11	10	9	8	7	6	5	4	3	2	1	0
Access	R	R	R	R	R	R	R	R	R	R	R	R	R	R	R	R
Function	Two's Complement Integer															

**10.63 READ\_TEMPERATURE\_3 (8Fh)**

**Definition:** Returns the temperature reading from the TEMP pins. 1°C per LSB.

**Access:** Paged

**Data Length in Bytes:** 2

**Data Format:** Direct

**Type:** Read Only

**Units:** °C

**Equation:** Read Temperature 3 = (Direct value)

Command	READ_TEMPERATURE_3 (8Fh)															
Format	Direct															
Bit Position	15	14	13	12	11	10	9	8	7	6	5	4	3	2	1	0
Access	R	R	R	R	R	R	R	R	R	R	R	R	R	R	R	R
Function	Two's Complement Integer															

**10.64 READ\_POUT (96h)****Definition:** Returns the output power. 1W per LSB.**Access:** Paged**Data Length in Bytes:** 2**Data Format:** Direct**Type:** Read Only**Units:** W**Equation:** Read  $P_{OUT}$  = (Direct value)

Command	READ_POUT (96h)															
Format	Direct															
Bit Position	15	14	13	12	11	10	9	8	7	6	5	4	3	2	1	0
Access	R	R	R	R	R	R	R	R	R	R	R	R	R	R	R	R
Function	Two's Complement Integer															

**10.65 READ\_PIN (97h)****Definition:** Returns the input power. 1W per LSB.**Access:** Paged**Data Length in Bytes:** 2**Data Format:** Direct**Type:** Read Only**Units:** W**Equation:** READ\_PIN = (Direct value)

Command	READ_PIN (97h)															
Format	Direct															
Bit Position	15	14	13	12	11	10	9	8	7	6	5	4	3	2	1	0
Access	R	R	R	R	R	R	R	R	R	R	R	R	R	R	R	R
Function	Two's Complement Integer															

### 10.66 PMBUS\_REVISION (98h)

**Definition:** Returns the revision of the PMBus specification to which the device is compliant.

**Access:** Global

**Data Length in Bytes:** 1

**Data Format:** Bit Field

**Type:** Read Only

**Default Value:** 33h (Part 1 Revision 1.3, Part 2 Revision 1.3)

Command	PMBUS_REVISION (98h)							
Format	Bit Field							
Bit Position	7	6	5	4	3	2	1	0
Access	R	R	R	R	R	R	R	R
Function	See Following Table							
Default Value	0	0	1	1	0	0	1	1

Bits 7:4	Part 1 Revision	Bits 3:0	Part 2 Revision
0000	1.0	0000	1.0
0001	1.1	0001	1.1
0010	1.2	0010	1.2
0011	1.3	0011	1.3

### 10.67 MFR\_ID (99h)

**Definition:** Stores inventory information during manufacturing of end products. 4 bytes of space with no defined format.

**Access:** Global

**Data Length in Bytes:** 4

**Data Format:** Bit Field

**Type:** Block R/W

**Default Value:** 00000000h (empty)

### 10.68 MFR\_MODEL (9Ah)

**Definition:** Stores inventory information during manufacturing of end products. 4 bytes of space with no defined format.

**Access:** Global

**Data Length in Bytes:** 4

**Data Format:** Bit Field

**Type:** Block R/W

**Default Value:** 00000000h (empty)



**10.69 MFR\_REVISION (9Bh)**

**Definition:** Stores inventory information during manufacturing of end products. 4 bytes of space with no defined format.

**Access:** Global

**Data Length in Bytes:** 4

**Data Format:** Bit Field

**Type:** Block R/W

**Default Value:** 00000000h (empty)

**10.70 MFR\_DATE (9Dh)**

**Definition:** Stores inventory information during manufacturing of end products. 4 bytes of space with no defined format.

**Access:** Global

**Data Length in Bytes:** 4

**Data Format:** Bit Field

**Type:** Block R/W

**Default Value:** 00000000h (empty)

**10.71 IC\_DEVICE\_ID (ADh)**

**Definition:** Reports device identification information.

**Access:** Global

**Data Length in Bytes:** 4

**Data Format:** Bit Field

**Type:** Block Read

**Default Value:** **ISL68222:** 49D26100h, **ISL68233:** 49D26B00h

Command	IC_DEVICE_ID (ADh) for ISL68222			
Format	Bit Field			
Byte Position	3	2	1	0
Function	MFR Code	ID High Byte	ID Low Byte	Reserved
Default Value	49h	D2h	61h	00h

Command	IC_DEVICE_ID (ADh) for ISL68233			
Format	Bit Field			
Byte Position	3	2	1	0
Function	MFR Code	ID High Byte	ID Low Byte	Reserved
Default Value	49h	D2h	6Bh	00h

### 10.72 IC\_DEVICE\_REV (AEh)

**Definition:** Reports device revision information.

**Access:** Global

**Data Length in Bytes:** 4

**Data Format:** Bit Field

**Type:** Block Read

**Default Value:** Based on the revision released

Command	IC_DEVICE_REV (AEh)		
Format	Bit Field		
Bit Position	31:24	23:8	7:0
Function	Hardware Revision	Reserved	Firmware Revision

### 10.73 DMAFIX (C5h)

**Definition:** Location for DMA access when performing a fixed address memory access. There is no physical storage for this register.

**Access:** Global

**Data Length in Bytes:** 4

**Data Format:** Bit Field

**Type:** R/W

**Default Value:** 0000h

**Units:** N/A

### 10.74 DMASEQ (C6h)

**Definition:** Location for DMA access when performing a auto-increment address memory access. A series of reads or writes accesses sequential memory locations, with the value of DMAADDR incremented with each access. The reads or writes can be singular 32-bit transfers or unlimited bursts. There is no physical storage for this register.

**Access:** Global

**Data Length in Bytes:** 4

**Data Format:** Bit Field

**Type:** R/W

**Default Value:** 0000h

**Units:** N/A

### 10.75 DMAADDR (C7h)

**Definition:** Specifies the target address of a DMA read or write to system memory. This command is used for indirect access to any system memory.

**Access:** Global

**Data Length in Bytes:** 2

**Data Format:** Bit Field

**Type:** R/W

**Default Value:** 0000h

**Units:** N/A

Command	DMAADDR (C7h)															
Format	Bit Field															
Bit Position	15	14	13	12	11	10	9	8	7	6	5	4	3	2	1	0
Access	R/W	R/W	R/W	R/W	R/W	R/W	R/W	R/W	R/W	R/W	R/W	R/W	R/W	R/W	R/W	R/W
Function	See Following Table															
Default Value	0	0	0	0	0	0	0	0	0	0	0	0	0	0	0	0

Bit	Field Name	Meaning
15:13	REGION	000 - RAM
12:0	DMAADDR	The 13-bit target address

### 10.76 PEAK\_OC\_LIMIT (CDh)

**Definition:** Sets the peak overcurrent limit thresholds for each phase within a rail. 0.1A per LSB.

**Access:** Paged

**Data Length in Bytes:** 2

**Data Format:** Direct

**Type:** R/W

**Equation:** Peak Phase OC Limit = (Direct value) / 10

**Units:** A

**Default Value:** 0258h (60A)

**Range:** Depends on configuration

Command	PEAK_OC_LIMIT (CDh)															
Format	Direct															
Bit Position	15	14	13	12	11	10	9	8	7	6	5	4	3	2	1	0
Access	R/W	R/W	R/W	R/W	R/W	R/W	R/W	R/W	R/W	R/W	R/W	R/W	R/W	R/W	R/W	R/W
Function	Two's Complement Integer															
Default Value	0	0	0	0	0	0	1	0	0	1	0	1	1	0	0	0

### 10.77 PEAK\_UC\_LIMIT (CEh)

**Definition:** Sets the peak undercurrent limit thresholds for each phase within a rail. 0.1A per LSB.

**Access:** Paged

**Data Length in Bytes:** 2

**Data Format:** Direct

**Type:** R/W

**Equation:** Peak Phase UC Limit = (Direct value) / 10

**Units:** A

**Default Value:** FDA8 (-60A)

**Range:** Depends on configuration

Command	PEAK_UC_LIMIT (CEh)															
Format	Direct															
Bit Position	15	14	13	12	11	10	9	8	7	6	5	4	3	2	1	0
Access	R/W	R/W	R/W	R/W	R/W	R/W	R/W	R/W	R/W	R/W	R/W	R/W	R/W	R/W	R/W	R/W
Function	Two's Complement Integer															
Default Value	1	1	1	1	1	1	0	1	1	0	1	0	1	0	0	0

### 10.78 VMON\_ON (D0h)

**Definition:** Sets the VMON pin input voltage rising threshold at which the output can be enabled. 10mV per LSB.

**Access:** Global

**Data Length in Bytes:** 2

**Data Format:** Direct

**Type:** R/W

**Default Value:** 1C2h (4500mV)

**Units:** mV

**Equation:** VMON On = (Direct value) x 10

**Range:** 0mV to 32767mV

Command	VMON_ON (D0h)																
Format	Direct																
Bit Position	15	14	13	12	11	10	9	8	7	6	5	4	3	2	1	0	
Access	R/W	R/W	R/W	R/W	R/W	R/W	R/W	R/W	R/W	R/W	R/W	R/W	R/W	R/W	R/W	R/W	
Function	Unsigned Integer																
Default Value	0	0	0	0	0	0	0	0	1	1	1	0	0	0	0	1	0

**10.79 VMON\_OFF (D1h)**

**Definition:** Sets the VMON pin input voltage falling threshold at which the output disables. 10mV per LSB.

**Access:** Global

**Data Length in Bytes:** 2

**Data Format:** Direct

**Type:** R/W

**Default Value:** 190h (4000mV)

**Units:** mV

**Equation:** VMON\_OFF = (Direct value) x 10

**Range:** 0mV to 32767mV

Command	VMON_OFF (D1h)															
Format	Direct															
Bit Position	15	14	13	12	11	10	9	8	7	6	5	4	3	2	1	0
Access	R/W	R/W	R/W	R/W	R/W	R/W	R/W	R/W	R/W	R/W	R/W	R/W	R/W	R/W	R/W	R/W
Function	Unsigned Integer															
Default Value	0	0	0	0	0	0	0	0	1	1	0	0	1	0	0	0

## 10.80 COMPPROP (DDh)

**Definition:** Sets the proportional gain of the compensation loop.

**Access:** Paged

**Data Length in Bytes:** 4

**Data Format:** Bit Field

**Type:** R/W

**Default Value:** D90907C4h

Command	COMPPROP (DDh)															
Format	Bit Field															
Bit Position	31	30	29	28	27	26	25	24	23	22	21	20	19	18	17	16
Access	R/W	R/W	R/W	R/W	R/W	R/W	R/W	R/W	R/W	R/W	R/W	R/W	R/W	R/W	R/W	R/W
Function	See Following Table															
Default Value	1	1	0	1	1	0	0	1	0	0	0	0	1	0	0	1
Bit Position	15	14	13	12	11	10	9	8	7	6	5	4	3	2	1	0
Access	R/W	R/W	R/W	R/W	R/W	R/W	R/W	R/W	R/W	R/W	R/W	R/W	R/W	R/W	R/W	R/W
Function	See Following Table															
Default Value	0	0	0	0	0	1	1	1	1	1	0	0	0	1	0	0

Bit Position	Function
31:28	Proportional gain mantissa >8 phase override, use normal P gain if value = 0 and shift = 0
27:25	Proportional gain exponent >8 phase override, use normal P gain if value = 0 and shift = 0
24:21	Proportional gain mantissa 2-phase override, use normal P gain if value = 0 and shift = 0
20	Not used
19:17	Proportional gain exponent 2-phase override, use normal P gain if value = 0 and shift = 0
16:13	Proportional gain mantissa 1-phase override, use normal P gain if value = 0 and shift = 0
12	Not used
11:9	Proportional gain exponent 1-phase override, use normal P gain if value = 0 and shift = 0
8	FIR filter length, 0 = None or 1 = ON Must be set if using D term for PID, optional if not using D term
7:4	Proportional gain mantissa is (value/8), all phase counts, if value = 0 gain is 0
3	Not used
2:0	Proportional gain exponent is $2^{(\text{shift}-3)}$ , all phase counts, if value = 0 and shift = 0 gain is 0

## 10.81 COMPINTEG (DEh)

**Definition:** Sets the integral gain of the compensation loop.

**Access:** Paged

**Data Length in Bytes:** 4

**Data Format:** Bit Field

**Type:** R/W

**Default Value:** 00A9h

Command	COMPINTEG (DEh)															
Format	Bit Field															
Bit Position	31	30	29	28	27	26	25	24	23	22	21	20	19	18	17	16
Access	R/W	R/W	R/W	R/W	R/W	R/W	R/W	R/W	R/W	R/W	R/W	R/W	R/W	R/W	R/W	R/W
Function	See Following Table															
Default Value	0	0	0	0	0	0	0	0	0	0	0	0	0	0	0	0
Bit Position	15	14	13	12	11	10	9	8	7	6	5	4	3	2	1	0
Access	R/W	R/W	R/W	R/W	R/W	R/W	R/W	R/W	R/W	R/W	R/W	R/W	R/W	R/W	R/W	R/W
Function	See Following Table															
Default Value	0	0	0	0	0	0	0	0	1	0	1	0	1	0	0	1

Bit Position	Function
31:16	Not used
15:12	Delay time for stepping down gain towards shift. Dcm when in DCM, in 16*clkTs per gain step
11:8	Gain when in DCM for a while
7:4	Maximum gain used when Integral movement detected Gain is $2^{(-shift-1)}$
3:0	Gain is $2^{(-shift-1)}$

## 10.82 COMPIDFF (DFh)

**Definition:** Sets the differential gain of the compensation loop.

**Access:** Paged

**Data Length in Bytes:** 2

**Data Format:** Bit Field

**Type:** R/W

**Default Value:** 0000h

Command	COMPIDFF (DFh)															
Format	Bit Field															
Bit Position	15	14	13	12	11	10	9	8	7	6	5	4	3	2	1	0
Access	R	R	R/W	R/W	R	R	R/W	R/W	R	R/W	R/W	R/W	R/W	R/W	R/W	R/W
Function	See Following Table															
Default Value	0	0	0	0	0	0	0	0	0	0	0	0	0	0	0	0

Bit Number	Setting
15:13	Reserved
12	FIR filter length 0 or 1
11:8	Diff gain mantissa 1-phase override, use normal P gain if value = 0 and shift = 0
7:6	Diff gain exponent 1-phase override, use normal P gain if value = 0 and shift = 0
5:2	Differentiator gain mantissa (value/8)
1:0	Differentiator gain exponent $2^{(\text{shift}+1 + \text{P-shift})}$ range 0:3

## 10.83 COMPCFB (E0h)

**Definition:** Sets the AC current feedback gain of the compensation loop.

**Access:** Paged

**Data Length in Bytes:** 2

**Data Format:** Bit Field

**Type:** R/W

**Default Value:** 0560h

Command	COMPCFB (E0h)															
Format	Bit Field															
Bit Position	15	14	13	12	11	10	9	8	7	6	5	4	3	2	1	0
Access	R/W	R/W	R/W	R/W	R/W	R/W	R/W	R/W	R/W	R/W	R/W	R/W	R/W	R/W	R/W	R/W
Function	See Following Table															
Default Value	0	0	0	0	0	1	0	1	0	1	1	0	0	0	0	0

Bit Number	Function
15:8	High-pass filter coefficient for current feedback
7:0	Current feedback gain, low droop cases



### 10.84 HS\_BUS\_CURRENT\_SCALE (E3h)

**Definition:** Sets the scaling value for the high speed bus output current reporting. 16 bits with 14 fractional bits. A value of 0x4000 is a scale factor of 1.0. A value of 0x0000 is also interpreted as a scale factor of 1.0.

**Access:** Paged

**Data Length in Bytes:** 2

**Data Format:** Direct

**Type:** R/W

**Default Value:** 4000h (1.0)

**Units:** Scale Factor

**Equation:** HS Bus Current Scale = (Direct value)  $\times 2^{-14}$

**Range:** 0 to 4.0

Command	HS_BUS_CURRENT_SCALE (E3h)															
Format	Direct															
Bit Position	15	14	13	12	11	10	9	8	7	6	5	4	3	2	1	0
Access	R/W	R/W	R/W	R/W	R/W	R/W	R/W	R/W	R/W	R/W	R/W	R/W	R/W	R/W	R/W	R/W
Function	Unsigned Integer															
Default Value	0	1	0	0	0	0	0	0	0	0	0	0	0	0	0	0

### 10.85 PHASE\_CURRENT (E4h)

**Definition:** Returns the individual phase current reading for the phase selected in PHASE (04h). 0.1A per LSB.

**Access:** Global

**Data Length in Bytes:** 2

**Data Format:** Direct

**Type:** Read Only

**Units:** A

**Equation:** Phase current = (Direct value) / 10

Command	PHASE_CURRENT (E4h)															
Format	Direct															
Bit Position	15	14	13	12	11	10	9	8	7	6	5	4	3	2	1	0
Access	R	R	R	R	R	R	R	R	R	R	R	R	R	R	R	R
Function	Two's Complement Integer															

### 10.86 PHASE\_TEMPERATURE (E5h)

**Definition:** Returns the individual phase temperature reading for the phase selected in PHASE (04h). 1°C per LSB.

**Access:** Global

**Data Length in Bytes:** 2

**Data Format:** Direct

**Type:** Read Only

**Units:** °C

**Equation:** Phase Temperature = (Direct value)

Command	PHASE_TEMPERATURE (E5h)															
Format	Direct															
Bit Position	15	14	13	12	11	10	9	8	7	6	5	4	3	2	1	0
Access	R	R	R	R	R	R	R	R	R	R	R	R	R	R	R	R
Function	Two's Complement Integer															

### 10.87 PEAK\_OCUC\_COUNT (E9h)

**Definition:** Sets the number of consecutive switch cycles that can exceed the peak per-phase overcurrent limit threshold before generating a fault within a rail. A value of 0 disables the fault shutdown and produces a constant current effect.

**Access:** Paged

**Data Length in Bytes:** 2

**Data Format:** Bit Field

**Type:** R/W

**Equation:** Peak UC Count = (Direct value [15:8]), Peak OC Count = (Direct value [7:0])

**Units:** Cycles

**Default Value:** 0606h (6 cycles OC and 6 cycles UC)

**Range:** 1 cycle to 255 cycles

Command	PEAK_OCUC_COUNT (E9h)															
Format	Bit Field															
Bit Position	15	14	13	12	11	10	9	8	7	6	5	4	3	2	1	0
Access	R/W	R/W	R/W	R/W	R/W	R/W	R/W	R/W	R/W	R/W	R/W	R/W	R/W	R/W	R/W	R/W
Function	See Following Table															
Default Value	0	0	0	0	0	1	1	0	0	0	0	0	0	1	1	0

Bit Number	Meaning
15:8	Number of consecutive switch cycles exceeding peak UC limit before fault
7:0	Number of consecutive switch cycles exceeding peak OC limit before fault

### 10.88 SLOW\_IOUT\_OC\_LIMIT (EAh)

**Definition:** Sets the slow sum output overcurrent fault threshold. 100mA per LSB. A value of 0 disables this function.

**Access:** Paged

**Data Length in Bytes:** 2

**Data Format:** Direct

**Type:** R/W

**Default Value:** C8h (20A)

**Units:** A

**Equation:** Slow I<sub>OUT</sub> OC Limit = (Direct value) / 10

**Range:** 0A to 3276A

Command	SLOW_IOUT_OC_LIMIT (EAh)															
Format	Direct															
Bit Position	15	14	13	12	11	10	9	8	7	6	5	4	3	2	1	0
Access	R/W	R/W	R/W	R/W	R/W	R/W	R/W	R/W	R/W	R/W	R/W	R/W	R/W	R/W	R/W	R/W
Function	Two's Complement Integer															
Default Value	0	0	0	0	0	0	0	0	1	1	0	0	1	0	0	0

### 10.89 FAST\_OC\_FILT\_COUNT (EBh)

**Definition:** Sets the fast sum output overcurrent fault filter settings.

**Access:** Paged

**Data Length in Bytes:** 2

**Data Format:** Bit Field

**Type:** R/W

**Default Value:** 0696h (Filter = 10.6μs, Delay = 100μs)

Command	FAST_OC_FILT_COUNT (EBh)															
Format	Bit Field															
Bit Position	15	14	13	12	11	10	9	8	7	6	5	4	3	2	1	0
Access	R/W	R/W	R/W	R/W	R/W	R/W	R/W	R/W	R/W	R/W	R/W	R/W	R/W	R/W	R/W	R/W
Function	See Following Table															
Default Value	0	0	0	0	0	1	1	0	1	0	0	1	0	1	1	0

Bit Number	Purpose	Setting
15:12	Not Used	Not used
11:8	Filter Setting	Time constant = 166.7ns * 2 <sup>direct value</sup> . Range is 167ns to 5.46ms.
7:0	Delay Setting	Delay 0.667μs * direct value before a fault is generated. Range is 0μs to 170μs.

## 10.90 SLOW\_OC\_FILT\_COUNT (ECh)

**Definition:** Sets the slow sum output overcurrent fault filter settings.

**Access:** Paged

**Data Length in Bytes:** 2

**Data Format:** Bit Field

**Type:** R/W

**Default Value:** 606h (Filter = 10.6 $\mu$ s, Delay = 1024 $\mu$ s)

Command	SLOW_OC_FILT_COUNT (ECh)															
Format	Bit Field															
Bit Position	15	14	13	12	11	10	9	8	7	6	5	4	3	2	1	0
Access	R/W	R/W	R/W	R/W	R/W	R/W	R/W	R/W	R/W	R/W	R/W	R/W	R/W	R/W	R/W	R/W
Function	See Following Table															
Default Value	0	0	0	0	0	1	1	0	0	0	0	0	0	1	1	0

Bit Number	Purpose	Setting
15:12	Not Used	Not used
11:8	Filter Setting	Time constant = 166.7ns * 2 <sup>direct value</sup> . Range is 167ns to 5.46ms.
7:0	Delay Setting	Delay 170.7 $\mu$ s * direct value before a fault is generated. Range is 0 $\mu$ s to 43.5ms.

## 10.91 LOOPCFG (F0h)

**Definition:** Configures various rail settings. To make a change, read the value, modify only the desired bits, and write the value while preserving the bit settings.

**Access:** Paged

**Data Length in Bytes:** 4

**Data Format:** Bit Field

**Type:** R/W

**Default Value:** 102031F6h

Command	LOOPCFG (F0h)															
Format	Bit Field															
Bit Position	31	30	29	28	27	26	25	24	23	22	21	20	19	18	17	16
Access	R/W	R/W	R/W	R/W	R/W	R/W	R/W	R/W	R/W	R/W	R/W	R/W	R/W	R/W	R/W	R/W
Function	See Following Table															
Default Value	0	0	0	1	0	0	0	0	0	0	1	0	0	0	0	0
Bit Position	15	14	13	12	11	10	9	8	7	6	5	4	3	2	1	0
Access	R/W	R/W	R/W	R/W	R/W	R/W	R/W	R/W	R/W	R/W	R/W	R/W	R/W	R/W	R/W	R/W
Function	See Following Table															
Default Value	0	0	1	1	0	0	0	1	1	1	1	1	0	1	1	0

Bit Position	Field	Function
31	Not Used	Not used
30:29	Reserved	Reserved
28	Diode Emulation Mode	1 = Enable diode emulation for power_mode 3
27:12	Reserved	Reserved
11:8	Minimum Phase Count	Minimum phase count, 0-5
7	Reserved	Reserved
6	Diode Emulation Enable	1 = Enable diode emulation
5:4	Reserved	Reserved
3:1	Reserved	Reserved
0	APD enable	1 = Enable auto phase add/drop

## 10.92 RESTORE\_CFG (F2h)

**Definition:** Identifies the user configuration ID to be restored from NVM and loads the store settings into the active memory of the device. This command should only be used while all outputs are disabled. Restore takes 3ms to complete.

**Access:** Global

**Data Length in Bytes:** 1

**Data Format:** Bit Field

**Type:** R/W

**Default Value:** 00h

Command	RESTORE_CFG (F2h)							
Format	Bit Field							
Bit Position	7	6	5	4	3	2	1	0
Access	R	R	R	R	R/W	R/W	R/W	R/W
Function	See Following Table							
Default Value	0	0	0	0	0	0	0	0

Bit Number	Status Bit Name	Meaning
7:4	Reserved	Reserved
3:0	CONFIG	Selected user configuration ID to restore, 0-15.

## 11. Adaptive Voltage Scaling (AVSBus) Functionality and Operation

The AVSBus interface provides a high speed (up to 50MHz) serial interface to the ISL68233 that allows implementation of advanced voltage scaling functions supporting increased system efficiency and performance. Devices equipped with AVSBus master capability can use the interface to enable rapid supply voltage changes to support low power consumption modes as well as high performance modes. Due to the advanced digital regulation loop employed, the ISL68233 is well equipped to support very rapid transition rates. All commands are readable at all times, but they cannot be written to unless the device is set to AVSBus control.

**Table 6. AVSBus Master Send Subframe**

Function	Start Code	R/W	Command Type	Command Code	Rail Select	Command Data	CRC
<b>Size (Bits)</b>	2	2	1	4	4	16	3
<b>Setting</b>	01b	00b = Write data and Commit  01b = Write data, but do no commit  11b = Read Data	0b = AVSBus Data	0h = Target Rail Voltage  1h = Target Rail $V_{OUT}$ Transition Rate  2h = Rail Current  3h = Rail Temperature  4h = Reset Rail Voltage  5h = Power Mode  Eh = AVSBus Status  Fh = AVSBus Version	0h = Rail 0  1h = Rail 1  Fh = Broadcast	Read = FFh  Write = See <a href="#">AVSBus Command Detail</a>	

**Table 7. AVSBus Slave Response Subframe**

Function	Slave Ack	0b	Status Response	Command Data	Not Used	CRC
<b>Size (Bits)</b>	2	1	5	16	5	3
<b>Setting</b>	00b = Good CRC, Command acknowledged, Action Taken  01b = Good CRC, Command acknowledged, No action  10b = Bad CRC, No Action  11b = Invalid Request, No Action	0b	Bit 4 = $V_{DONE}$ . Sets to 1 when $V_{OUT}$ target is reached  Bit 3 = Status Alert. Sets to 1 if a bit in AVSBus Status register (excluding $V_{DONE}$ ) has set  Bit 2 = AVSBus Control. Sets to 1 when AVSBus control is enabled on any of the rails  Bits 1:0 = Not used	Write = FFh  Read = See <a href="#">AVSBus Command Detail</a>	Not used 11111b	

## 12. AVSBus Command Detail

### 12.1 TARGET RAIL VOLTAGE (0h)

**Definition:** Sets or reads the target rail voltage set point. 1mV per LSB. The initial set point is copied from the PMBus command [VOUT\\_COMMAND \(21h\)](#) when AVSBus operation is selected.

**Access:** Paged

**Data Length in Bytes:** 2

**Data Format:** Direct

**Type:** R/W

**Default Value:** Value of PMBus [VOUT\\_COMMAND \(21h\)](#)

**Units:** mV

**Equation:** TARGET RAIL VOLTAGE = (Direct value)

**Range:** Limited to the values of [VOUT\\_MIN \(2Bh\)](#) and [VOUT\\_MAX \(24h\)](#) PMBus commands

Command	TARGET RAIL VOLTAGE (0h)															
Format	Direct															
Bit Position	15	14	13	12	11	10	9	8	7	6	5	4	3	2	1	0
Access	R/W	R/W	R/W	R/W	R/W	R/W	R/W	R/W	R/W	R/W	R/W	R/W	R/W	R/W	R/W	R/W
Function	Two's Complement Integer															

### 12.2 VOUT TRANSITION RATE (1h)

**Definition:** Sets or reads the rise and fall transition rates. 1mV/μs per LSB. The initial value matches PMBus transition rates until updated through AVSBus.

**Access:** Paged

**Data Length in Bytes:** 2

**Data Format:** Direct

**Type:** R/W

**Default Value:** Value of PMBus [VOUT\\_TRANSITION\\_RATE \(27h\)](#) for rise and fall

**Units:** mV/μs

**Equation:** TRANSITION RATE = (Direct value)

Command	VOUT TRANSITION RATE (1h)															
Format	Direct															
Bit Position	15	14	13	12	11	10	9	8	7	6	5	4	3	2	1	0
Access	R/W	R/W	R/W	R/W	R/W	R/W	R/W	R/W	R/W	R/W	R/W	R/W	R/W	R/W	R/W	R/W
Function	Rise Transition Rate, two's complement integer								Fall Transition Rate, two's complement integer							



### 12.3 RAIL CURRENT (2h)

**Definition:** Returns the output current reading. 10mA per LSB. A filter is applied to this reading, and it is configurable in PowerNavigator.

**Access:** Paged

**Data Length in Bytes:** 2

**Data Format:** Direct

**Type:** Read Only

**Default Value:** N/A

**Units:** A

**Equation:** RAIL CURRENT= (Direct value) / 100

Command	RAIL CURRENT (2h)															
Format	Direct															
Bit Position	15	14	13	12	11	10	9	8	7	6	5	4	3	2	1	0
Access	R	R	R	R	R	R	R	R	R	R	R	R	R	R	R	R
Function	Two's Complement Integer															

### 12.4 RAIL TEMPERATURE (3h)

**Definition:** Returns the power stage temperature reading. 0.1°C per LSB. This value is copied from the [READ\\_TEMPERATURE\\_1 \(8Dh\)](#) PMBus command.

**Access:** Paged

**Data Length in Bytes:** 2

**Data Format:** Direct

**Type:** Read Only

**Default Value:** N/A

**Units:** °C

**Equation:** TEMPERATURE = (Direct value) / 10

Command	RAILTEMPERATURE (3h)															
Format	Direct															
Bit Position	15	14	13	12	11	10	9	8	7	6	5	4	3	2	1	0
Access	R	R	R	R	R	R	R	R	R	R	R	R	R	R	R	R
Function	Two's Complement Integer															

## 12.5 RESET RAIL VOLTAGE (4h)

**Definition:** Sets TARGET RAIL VOLTAGE to match that of the [VOUT\\_COMMAND \(21h\)](#) PMBus command.

**Access:** Paged

**Data Length in Bytes:** 2

**Data Format:** Direct

**Type:** Write Only

**Default Value:** Value of PMBus [VOUT\\_COMMAND \(21h\)](#)

**Units:** N/A

Command	RESET RAIL VOLTAGE(4h)															
Format	Direct															
Bit Position	15	14	13	12	11	10	9	8	7	6	5	4	3	2	1	0
Access	W	W	W	W	W	W	W	W	W	W	W	W	W	W	W	W
Function	Send all 0s															
Default Value	0	0	0	0	0	0	0	0	0	0	0	0	0	0	0	0

## 12.6 POWER MODE (5h)

**Definition:** Sets the power conversion mode. The operation is the same as the [POWER\\_MODE \(34h\)](#) PMBus command.

Maximum Efficiency Mode (0):

- Voltage down transitions happen immediately with decay (PWM tri-state).
- Phase dropping is enabled irrespective of the APD setting in the LOOPCFG command.
- Diode emulation can be enabled using LOOPCFG[6].

Maximum Power Mode (3) defaults:

- Voltage down transitions happen as programmed in the TOFF\_DELAY and TOFF\_FALL commands.
- Phase automatic add/drop is enabled using LOOPCFG[0].
- Diode emulation can be enabled using LOOPCFG[28].

MFR Defined (4) defaults:

- Voltage down transitions happen immediately with decay (PWM tri-state).
- Phase dropping is enabled irrespective of the APD setting in the LOOPCFG command.
- Diode emulation can be enabled using LOOPCFG[6] and LOOPCFG[28].

**Access:** Paged

**Data Length in Bytes:** 1

**Data Format:** Bit Field

**Type:** R/W

**Default Value:** 03h (Maximum Power)

Command	POWER_MODE (5h)							
Format	Bit Field							
Bit Position	7	6	5	4	3	2	1	0
Access	R/W	R/W	R/W	R/W	R/W	R/W	R/W	R/W
Function	See Following Table							
Default Value	0	0	0	0	0	0	1	1

Bit Value	Setting
04h	MFR defined
03h	Maximum power
00h	Maximum efficiency

## 12.7 AVSBus STATUS (Eh)

**Definition:** Returns the device status.  $V_{DONE}$  indicates that  $V_{OUT}$  has reached the set point. OT Warn indicates that one or more of the device measured temperature exceeds the over-temperature warning threshold set by the [OT\\_WARN\\_LIMIT \(51h\)](#) PMBus command. UV Warn indicates that one or more of the device output voltages has fallen below the undervoltage warning threshold set by the [VIN\\_UV\\_WARN\\_LIMIT \(58h\)](#) PMBus command. The device sets the AVS\_SDA line low to notify the host any time a bit in this register has been set.

**Access:** Paged

**Data Length in Bytes:** 2

**Data Format:** Bit Field

**Type:** Read Only

**Default Value:** N/A

**Units:** N/A

Command	AVSBUS STATUS (Eh)				
Format	Bit Field				
Bit Position	15	14	13	12	11:0
Access	R	R	R	R	R
Function	VDONE	Not Used	VOUT UV Warn	OT Warn	Not Used
Default Value	N/A	0	0	N/A	0

## 12.8 AVSBus VERSION (Fh)

**Definition:** Returns the version of the AVSBus specification to which the device is compliant. This device complies with Version 1.3.

**Access:** Global

**Data Length in Bytes:** 2

**Data Format:** Bit Field

**Type:** Read Only

**Default Value:** 00h

**Units:** N/A

---

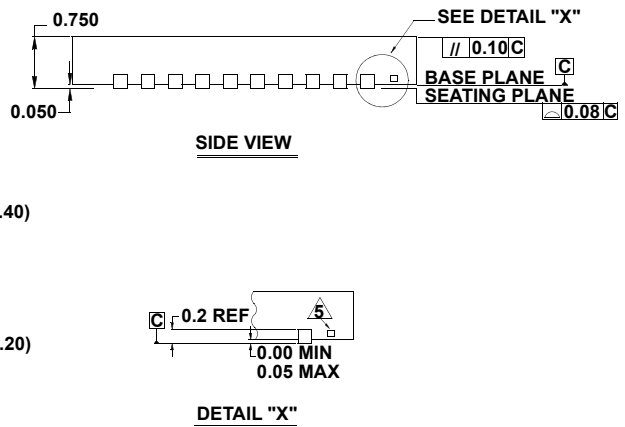
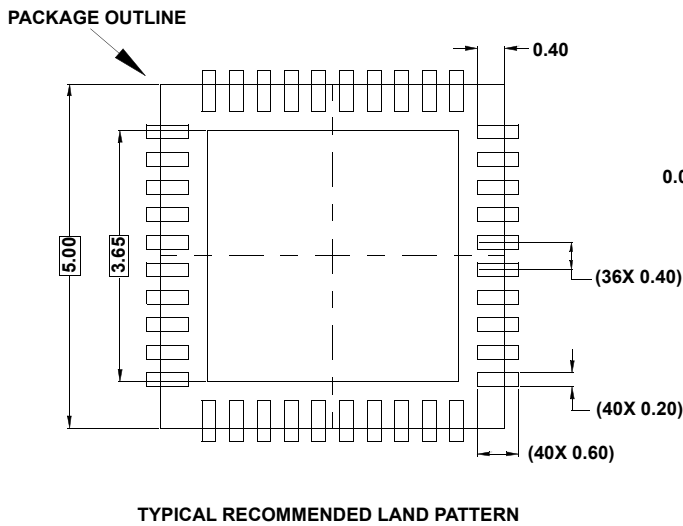
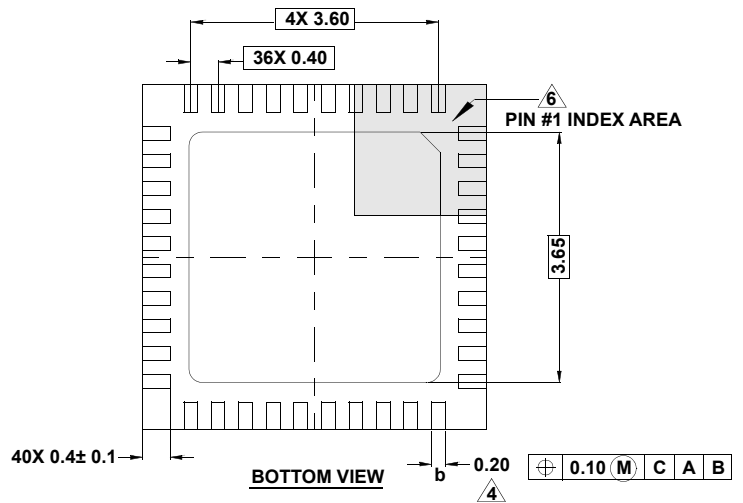
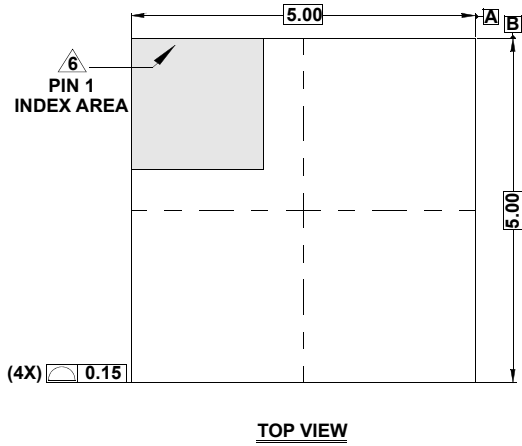
## 13. Revision History

Rev.	Date	Description
1.00	Oct.1.20	Initial release

# 14. Package Outline Drawing

For the most recent package outline drawing, see [L40.5x5D](#).

L40.5x5D  
 40 Lead Thin Quad Flat No-Lead Plastic Package  
 Rev 0, 9/10



**NOTES:**

1. Dimensions are in millimeters.  
 Dimensions in ( ) for Reference Only.
2. Dimensioning and tolerancing conform to ASME Y14.5m-1994.
3. Unless otherwise specified, tolerance : Decimal ± 0.05
4. Dimension b applies to the metallized terminal and is measured between 0.15mm and 0.27mm from the terminal tip.
5. Tiebar shown (if present) is a non-functional feature.
6. The configuration of the pin #1 identifier is optional, but must be located within the zone indicated. The pin #1 identifier may be either a mold or mark feature.
7. JEDEC reference drawing: MO-220WHHE-1

## IMPORTANT NOTICE AND DISCLAIMER

RENESAS ELECTRONICS CORPORATION AND ITS SUBSIDIARIES (“RENESAS”) PROVIDES TECHNICAL SPECIFICATIONS AND RELIABILITY DATA (INCLUDING DATASHEETS), DESIGN RESOURCES (INCLUDING REFERENCE DESIGNS), APPLICATION OR OTHER DESIGN ADVICE, WEB TOOLS, SAFETY INFORMATION, AND OTHER RESOURCES “AS IS” AND WITH ALL FAULTS, AND DISCLAIMS ALL WARRANTIES, EXPRESS OR IMPLIED, INCLUDING, WITHOUT LIMITATION, ANY IMPLIED WARRANTIES OF MERCHANTABILITY, FITNESS FOR A PARTICULAR PURPOSE, OR NON-INFRINGEMENT OF THIRD PARTY INTELLECTUAL PROPERTY RIGHTS.

These resources are intended for developers skilled in the art designing with Renesas products. You are solely responsible for (1) selecting the appropriate products for your application, (2) designing, validating, and testing your application, and (3) ensuring your application meets applicable standards, and any other safety, security, or other requirements. These resources are subject to change without notice. Renesas grants you permission to use these resources only for development of an application that uses Renesas products. Other reproduction or use of these resources is strictly prohibited. No license is granted to any other Renesas intellectual property or to any third party intellectual property. Renesas disclaims responsibility for, and you will fully indemnify Renesas and its representatives against, any claims, damages, costs, losses, or liabilities arising out of your use of these resources. Renesas' products are provided only subject to Renesas' Terms and Conditions of Sale or other applicable terms agreed to in writing. No use of any Renesas resources expands or otherwise alters any applicable warranties or warranty disclaimers for these products.

(Rev.1.0 Mar 2020)

### Corporate Headquarters

TOYOSU FORESIA, 3-2-24 Toyosu,  
Koto-ku, Tokyo 135-0061, Japan  
[www.renesas.com](http://www.renesas.com)

### Contact Information

For further information on a product, technology, the most up-to-date version of a document, or your nearest sales office, please visit:  
[www.renesas.com/contact/](http://www.renesas.com/contact/)

### Trademarks

Renesas and the Renesas logo are trademarks of Renesas Electronics Corporation. All trademarks and registered trademarks are the property of their respective owners.