

# T-Sensor(AT28\_TPS0000AB3K16T20A0) Datasheet

## Temperature Sensor IP

### Overview

The Renesas Temperature Sensor IP including ADC outputs a digital code which corresponds to the detected temperature of LSI.

### Key Features

- Temperature range : -40 to 125 degree C
- Relative accuracy : +/-3 degree C (with 2 points calibration)
- Resolution : 12bit

### Technology

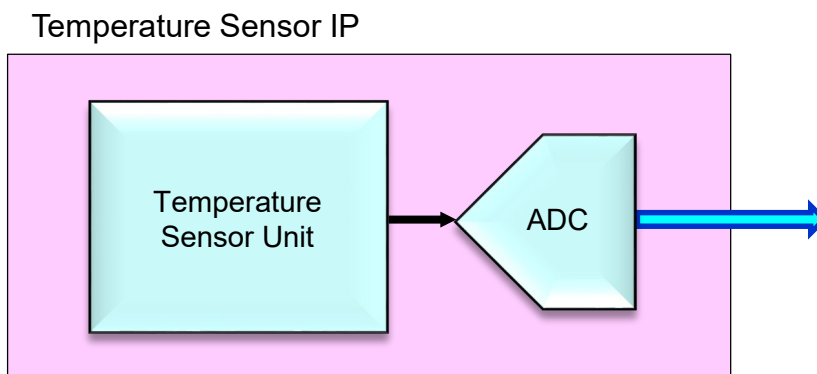
- Process : T28HPCplus
- Available metallization technologies : 5X2Y2R\_UT-AIRDL

### Electrical characteristic

Parameter	Min	Typ	Max	Unit
Analog Voltage	1.62		1.98	V
Digital Voltage	0.9		1.08	V
Temperature Range	-40		125	deg. C
Relative Accuracy (*Note)	-3		+3	deg. C
Resolution		12		bit
Sampling Time			1	ms

\*Note: 2 points calibration is needed every IP.

### Block Diagram



*\*This IP is contract design IP. Please contact for detail.*