

GENERAL DESCRIPTION

The 8701 is a low skew, ÷1, ÷2 LVCMOS/LVTTL Clock Generator. The low impedance LVCMOS outputs are designed to drive 50Ω series or parallel terminated transmission lines. The effective fanout can be increased from 20 to 40 by utilizing the ability of the outputs to drive two series terminated lines.

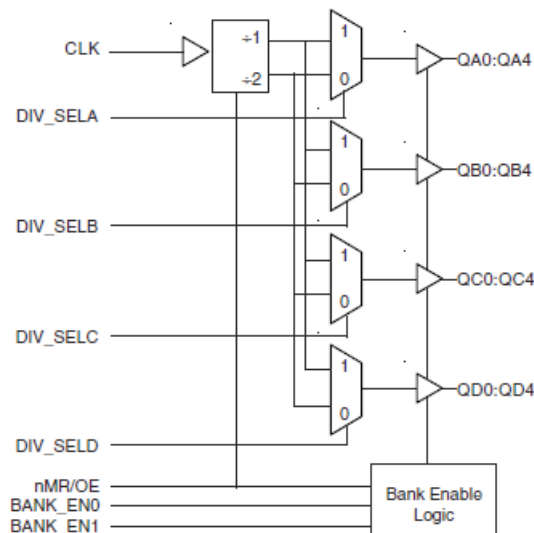
The divide select inputs, DIV_SELx, control the output frequency of each bank. The outputs can be utilized in the ÷1, ÷2 or a combination of ÷1 and ÷2 modes. The bank enable inputs, BANK_EN0:1, support enabling and disabling each bank of outputs individually. The master reset input, nMR/OE, resets the internal frequency dividers and also controls the active and high impedance states of all outputs.

The 8701 is characterized at 3.3V and mixed 3.3V input supply, and 2.5V output supply operating modes. Guaranteed bank, output and part-to-part skew characteristics make the 8701 ideal for those clock distribution applications demanding well defined performance and repeatability.

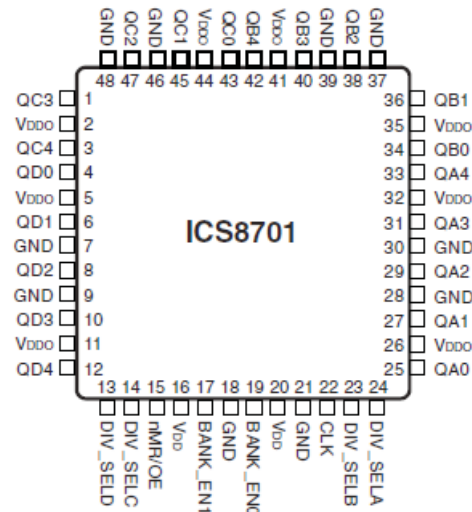
FEATURES

- Twenty LVCMOS outputs, 7Ω typical output impedance
- One LVCMOS/LVTTL clock input
- Maximum output frequency: 250MHz
- Bank enable logic allows unused banks to be disabled in reduced fanout applications
- Output skew: 250ps (maximum)
- Part-to-part skew: 600ps (maximum)
- Bank skew: 200ps (maximum)
- Multiple frequency skew: 300ps (maximum)
- 3.3V or mixed 3.3V input, 2.5V output operating supply modes
- 0°C to 70°C ambient operating temperature
- Other divide values available on request
- Available in lead-free RoHS compliant package

BLOCK DIAGRAM



PIN ASSIGNMENT



48-Pin LQFP

7mm x 7mm x 1.4mm

Y Package

Top View

TABLE 1. PIN DESCRIPTIONS

Number	Name	Type		Description
2, 5, 11, 26, 32, 35, 41, 44	V _{DDO}	Power		Output supply pins.
7, 9, 18, 21, 28, 30, 37, 39, 46, 48	GND	Power		Power supply ground.
16, 20	V _{DD}	Power		Positive supply pins.
25, 27, 29, 31, 33	QA0, QA1, QA2, QA3, QA4	Output		Bank A outputs.LVCMOS / LVTTTInterface levels. 7Ω typical output impedance.
34, 36, 38, 40, 42	QB0, QB1, QB2, QB3, QB4	Output		Bank B outputs.LVCMOS / LVTTTInterface levels. 7Ω typical output impedance.
43, 45, 47, 1, 3	QC0, QC1, QC2, QC3, QC4	Output		Bank C outputs.LVCMOS / LVTTTInterface levels. 7Ω typical output impedance.
4, 6, 8, 10, 12	QD0, QD1, QD2, QD3, QD4	Output		Bank D outputs. LVCMOS / LVTTTInterface levels. 7Ω typical output impedance.
22	CLK	Input	Pulldown	LVCMOS / LVTTT clock input.
13	DIV_SELD	Input	Pullup	Controls frequency division for Bank D outputs. LVCMOS / LVTTTInterface levels.
14	DIV_SELC	Input	Pullup	Controls frequency division for Bank C outputs. LVCMOS / LVTTTInterface levels.
23	DIV SELB	Input	Pullup	Controls frequency division for Bank B outputs. LVCMOS / LVTTTInterface levels.
24	DIV SELA	Input	Pullup	Controls frequency division for Bank A outputs. LVCMOS / LVTTTInterface levels.
17, 19	BANK_EN1, BANK_EN0	Input	Pullup	Enables and disables outputs by banks. LVCMOS / LVTTTInterface levels.
15	nMR/OE	Input	Pullup	Master Reset and output enable. When HIGH, output drivers are enabled. Whe LOW, output drivers are in HiZ and dividers are reset. LVCMOS / LVTTTInterface levels.

NOTE: *Pullup* and *Pulldown* refer to internal input resistors. See Table 2, Pin Characteristics, for typical values.

TABLE 2. PIN CHARACTERISTICS

Symbol	Parameter	Test Conditions	Minimum	Typical	Maximum	Units
C_{IN}	Input Capacitance			4		pF
R_{PULLUP}	Input Pullup Resistor			51		k Ω
$R_{PULLDOWN}$	Input Pulldown Resistor			51		k Ω
C_{PD}	Power Dissipation Capacitance (per output)	$V_{DD}, V_{DDO} = 3.465V$			15	pF
R_{OUT}	Output Impedance			7		Ω

TABLE 3. FUNCTION TABLE

Inputs				Outputs				
nMR/OE	BANK_EN1	BANK_EN0	DIV_SELx	QA0:QA4	QB0:QB4	QC0:QC4	QD0:QD4	Qx Frequency
0	X	X	X	Hi Z	Hi Z	Hi Z	Hi Z	zero
1	0	0	0	Active	Hi Z	Hi Z	Hi Z	fIN/2
1	1	0	0	Active	Active	Hi Z	Hi Z	fIN/2
1	0	1	0	Active	Active	Active	Hi Z	fIN/2
1	1	1	0	Active	Active	Active	Active	fIN/2
1	0	0	1	Active	Hi Z	Hi Z	Hi Z	fIN
1	1	0	1	Active	Active	Hi Z	Hi Z	fIN
1	0	1	1	Active	Active	Active	Hi Z	fIN
1	1	1	1	Active	Active	Active	Active	fIN

ABSOLUTE MAXIMUM RATINGS

Supply Voltage, V_{DD}	4.6V
Inputs, V_i	-0.5V to $V_{DD} + 0.5V$
Outputs, V_o	-0.5V to $V_{DDO} + 0.5V$
Package Thermal Impedance, θ_{JA}	47.9°C/W (0 lfpm)
Storage Temperature, T_{STG}	-65°C to 150°C

NOTE: Stresses beyond those listed under Absolute Maximum Ratings may cause permanent damage to the device. These ratings are stress specifications only. Functional operation of product at these conditions or any conditions beyond those listed in the *DC Characteristics* or *AC Characteristics* is not implied. Exposure to absolute maximum rating conditions for extended periods may affect product reliability.

TABLE 4A. POWER SUPPLY DC CHARACTERISTICS, $V_{DD} = 3.3V \pm 5\%$, $V_{DDO} = 3.3V \pm 5\%$ OR $2.5V \pm 5\%$, $T_A = 0^\circ\text{C}$ TO 70°C

Symbol	Parameter	Test Conditions	Minimum	Typical	Maximum	Units
V_{DD}	Positive Supply Voltage		3.135	3.3	3.465	V
V_{DDO}	Output Supply Voltage		3.135	3.3	3.465	V
			2.375	2.5	2.625	V
I_{DD}	Power Supply Current				95	mA

TABLE 4B. LVCMOS DC CHARACTERISTICS, $V_{DD} = 3.3V \pm 5\%$, $V_{DDO} = 3.3V \pm 5\%$ OR $2.5V \pm 5\%$, $T_A = 0^\circ C$ TO $70^\circ C$

Symbol	Parameter	Test Conditions	Minimum	Typical	Maximum	Units
V_{IH}	Input High Voltage	DIV_SELA, DIV_SELB, DIV_SEL C, DIV_SELD, BANK_EN0, BANK_EN1, nMR/OE	2		$V_{DD} + 0.3$	V
		CLK	2		$V_{DD} + 0.3$	V
V_{IL}	Input Low Voltage	DIV_SELA, DIV_SELB, DIV_SEL C, DIV_SELD, BANK_EN0, BANK_EN1, nMR/OE	-0.3		0.8	V
		CLK	-0.3		1.3	V
I_{IH}	Input High Current	DIV_SELA, DIV_SELB, DIV_SEL C, DIV_SELD, BANK_EN0, BANK_EN1, nMR/OE	$V_{DD} = V_{IN} = 3.465V$		5	μA
		CLK	$V_{DD} = V_{IN} = 3.465V$		150	μA
I_{IL}	Input Low Current	DIV_SELA, DIV_SELB, DIV_SEL C, DIV_SELD, BANK_EN0, BANK_EN1, nMR/OE	$V_{DD} = 3.465V, V_{IN} = 0V$	-150		μA
		CLK	$V_{DD} = 3.465V, V_{IN} = 0V$	-5		μA
V_{OH}	Output High Voltage	$V_{DD} = V_{DDO} = 3.135V$ $I_{OH} = -36mA$	2.6			V
		$V_{DD} = 3.135V,$ $V_{DDO} = 2.375V$ $I_{OH} = -27mA$	1.8			V
V_{OL}	Output Low Voltage	$V_{DD} = V_{DDO} = 3.135V$ $I_{OL} = 36mA$			0.5	V
		$V_{DD} = 3.135V,$ $V_{DDO} = 2.375V$ $I_{OL} = 27mA$			0.5	V

TABLE 5A. AC CHARACTERISTICS, $V_{DD} = V_{DDO} = 3.3V \pm 5\%$, $T_A = 0^\circ C$ TO $70^\circ C$

Symbol	Parameter	Test Conditions	Minimum	Typical	Maximum	Units
f_{MAX}	Output Frequency				250	MHz
t_{PD}	Propagation Delay; NOTE 1	$f \leq 200MHz$	2.2		3.4	ns
tsk(b)	Bank Skew; NOTE 2, 7	Measured on rising edge at $V_{DDO}/2$			200	ps
tsk(o)	Output Skew; NOTE 3, 7	Measured on rising edge at $V_{DDO}/2$			250	ps
tsk(w)	Multiple Frequency Skew; NOTE 4, 7	Measured on rising edge at $V_{DDO}/2$			300	ps
tsk(pp)	Part-to-Part Skew; NOTE 5, 7	Measured on rising edge at $V_{DDO}/2$			600	ps
t_R	Output Rise Time; NOTE 6	30% to 70%	280		850	ps
t_F	Output Fall Time; NOTE 6	30% to 70%	280		850	ps
odc	Output Duty Cycle	$f \leq 200MHz$	tCYCLE/2 - 0.5	tCYCLE/2	tCYCLE/2 + 0.5	ns
		$f = 200MHz$	2	2.5	3	ns
t_{EN}	Output Enable Time; NOTE 6	$f = 10MHz$			6	ns
t_{DIS}	Output Disable Time; NOTE 6	$f = 10MHz$			6	ns

All parameters measured at 200MHz unless noted otherwise.

NOTE 1: Measured from the $V_{DD}/2$ of the input to $V_{DDO}/2$ of the output.

NOTE 2: Defined as skew within a bank of outputs at the same supply voltages and with equal load conditions.

NOTE 3: Defined as skew between outputs at the same supply voltage and with equal load conditions.

Measured at $V_{DDO}/2$.

NOTE 4: Defined as skew across banks of outputs operating at different frequency with the same supply voltages and equal load conditions.

NOTE 5: Defined as skew between outputs on different devices operating at the same supply voltages and with equal load conditions. Using the same type of inputs on each device, the outputs are measured at $V_{DDO}/2$.

NOTE 6: These parameters are guaranteed by characterization. Not tested in production.

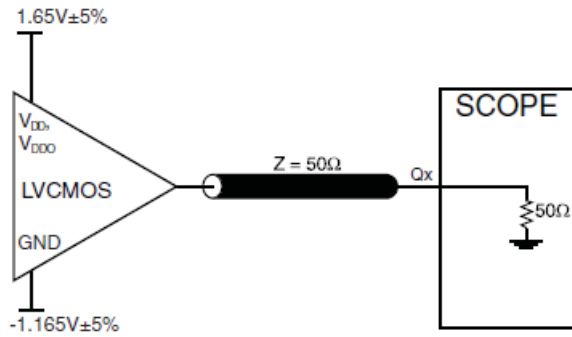
NOTE 7: This parameter is defined in accordance with JEDEC Standard 65.

TABLE 5B. AC CHARACTERISTICS, $V_{DD} = 3.3V \pm 5\%$, $V_{DDO} = 2.5V \pm 5\%$, $T_A = 0^\circ C$ TO $70^\circ C$

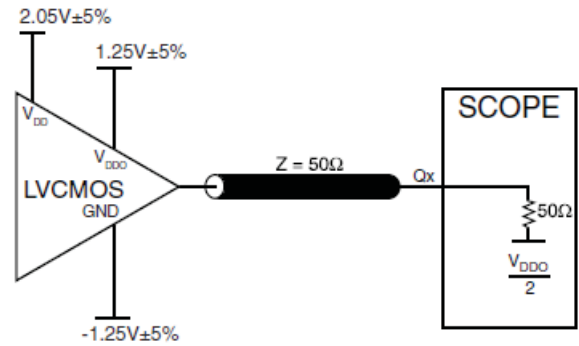
Symbol	Parameter	Test Conditions	Minimum	Typical	Maximum	Units
f_{MAX}	Output Frequency				250	MHz
t_{PD}	Propagation Delay; NOTE 1	$f \leq 200MHz$	2.6		3.6	ns
tsk(b)	Bank Skew; NOTE 2, 7	Measured on rising edge at $V_{DDO}/2$			225	ps
tsk(o)	Output Skew; NOTE 3, 7	Measured on rising edge at $V_{DDO}/2$			250	ps
tsk(w)	Multiple Frequency Skew; NOTE 4, 7	Measured on rising edge at $V_{DDO}/2$			300	ps
tsk(pp)	Part-to-Part Skew; NOTE 5, 7	Measured on rising edge at $V_{DDO}/2$			600	ps
t_R	Output Rise Time; NOTE 6	30% to 70%	280		850	ps
t_F	Output Fall Time; NOTE 6	30% to 70%	280		850	ps
odc	Output Duty Cycle	$f \leq 200MHz$	tCYCLE/2 - 0.5	tCYCLE/2	tCYCLE/2 + 0.5	ns
		$f = 200MHz$	2	2.5	3	ns
t_{EN}	Output Enable Time; NOTE 6	$f = 10MHz$			6	ns
t_{DIS}	Output Disable Time; NOTE 6	$f = 10MHz$			6	ns

For notes, please see T5A above.

PARAMETER MEASUREMENT INFORMATION



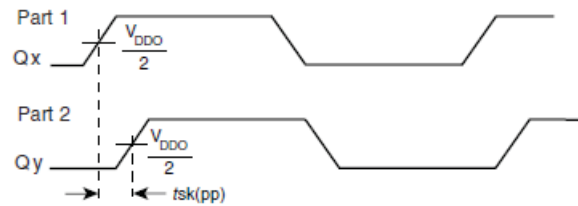
3.3V CORE/3.3V OUTPUT LOAD AC TEST CIRCUIT



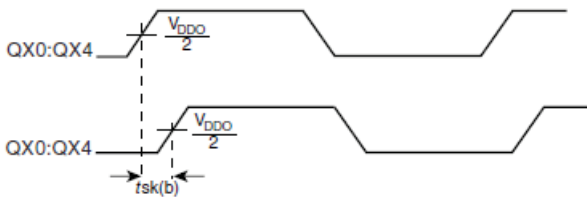
3.3V CORE/2.5V OUTPUT LOAD AC TEST CIRCUIT



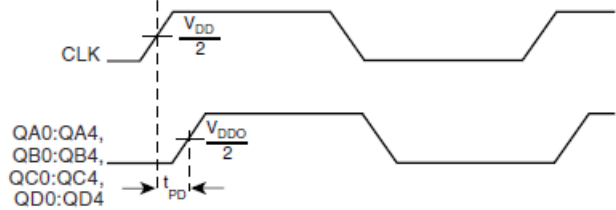
OUTPUT SKEW



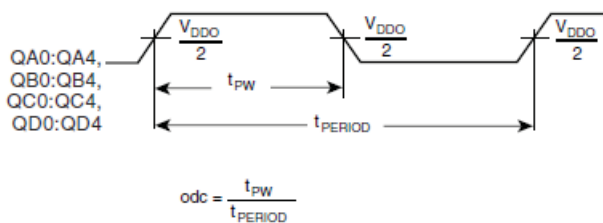
PART-TO-PART SKEW



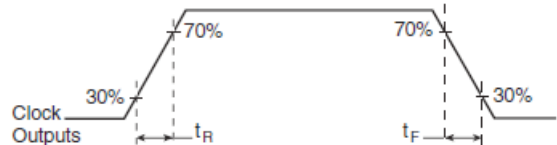
BANK SKEW (where X denotes outputs in the same bank)



PROPAGATION DELAY



OUTPUT DUTY CYCLE/PULSE WIDTH/PERIOD



OUTPUT RISE/FALL TIME

APPLICATION INFORMATION

Driver Termination

For LVCMOS Output Termination, please refer to a separate Application Note: *LVCMOS Driver Termination*.

RECOMMENDATIONS FOR UNUSED INPUT AND OUTPUT PINS

INPUTS:

LVCMOS CONTROL PINS:

All control pins have internal pull-ups or pull-downs; additional resistance is not required but can be added for additional protection. A 1k Ω resistor can be used.

OUTPUTS:

LVCMOS OUTPUT:

All unused LVCMOS output can be left floating. We recommend that there is no trace attached.

POWER CONSIDERATIONS

For Power Dissipation, please refer to a separate Application Note: *Power Dissipation for LVCMOS Buffer*.

RELIABILITY INFORMATION

TABLE 6. θ_{JA} VS. AIR FLOW TABLE FOR 48 LEAD LQFP

θ_{JA} by Velocity (Linear Feet per Minute)			
	0	200	500
Single-Layer PCB, JEDEC Standard Test Boards	67.8°C/W	55.9°C/W	50.1°C/W
Multi-Layer PCB, JEDEC Standard Test Boards	47.9°C/W	42.1°C/W	39.4°C/W

NOTE: Most modern PCB designs use multi-layered boards. The data in the second row pertains to most designs.

TRANSISTOR COUNT

The transistor count for 8701 is: 1743

PACKAGE OUTLINE - Y SUFFIX FOR 48 LEAD LQFP

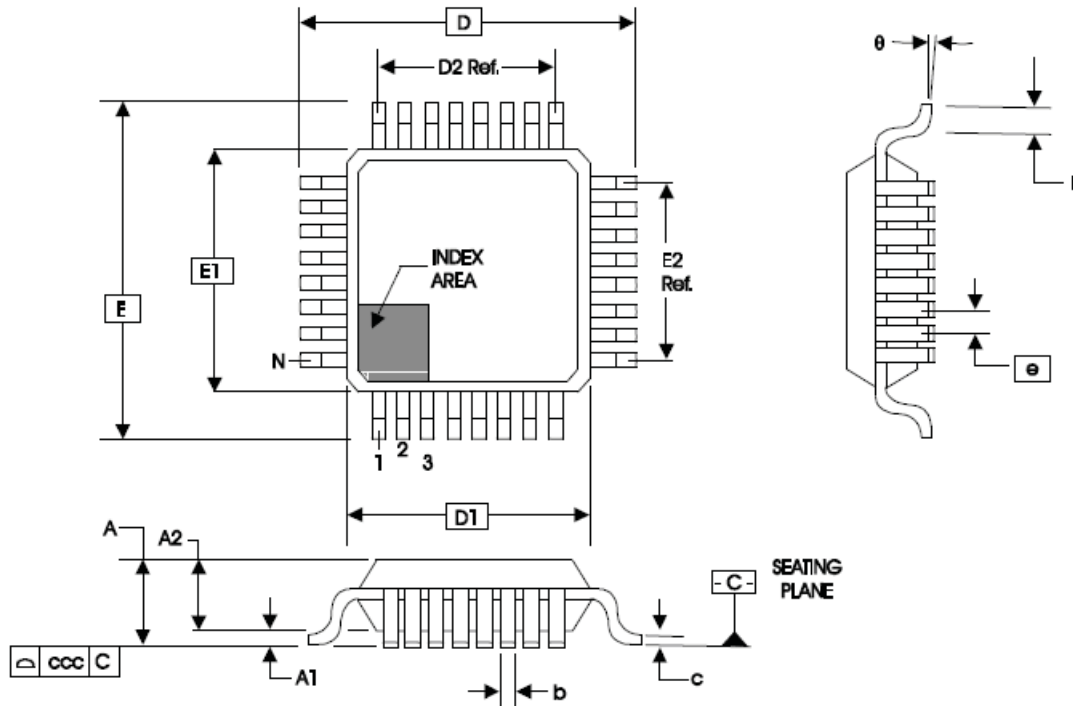


TABLE 7. PACKAGE DIMENSIONS

JEDEC VARIATION ALL DIMENSIONS IN MILLIMETERS			
SYMBOL	BBC		
	MINIMUM	NOMINAL	MAXIMUM
N	48		
A	--	--	1.60
A1	0.05	--	0.15
A2	1.35	1.40	1.45
b	0.17	0.22	0.27
c	0.09	--	0.20
D	9.00 BASIC		
D1	7.00 BASIC		
D2	5.50 Ref.		
E	9.00 BASIC		
E1	7.00 BASIC		
E2	5.50 Ref.		
e	0.50 BASIC		
L	0.45	0.60	0.75
θ	0°	--	7°
ccc	--	--	0.08

Reference Document: JEDEC Publication 95, MS-026

TABLE 8. ORDERING INFORMATION

Part/Order Number	Marking	Package	Shipping Packaging	Temperature
8701CYLF	ICS8701CYLF	48 Lead "Lead-Free" LQFP	tray	0°C to 70°C
8701CYLFT	ICS8701CYLF	48 Lead "Lead-Free" LQFP	1000 tape & reel	0°C to 70°C

NOTE: Parts that are ordered with an "LF" suffix to the part number are the Pb-Free configuration and are RoHS compliant.

Rev	Table	Page	Description of Change	Date
B	5A 5B	5 7 8 - 10	Updated notes. Updated notes. Updated drawings	10/4/01
C	4B 4D	4 6 11	Revised V_{IH} rows from 3.8 Maximum to $V_{DD} + 0.3$ Maximum. Revised V_{IH} rows from 3.8 Maximum to $V_{DD} + 0.3$ Maximum. Added Power Dissipation and Driver Termination notes.	11/28/01
C	1	2 9	Pin Description Table, revised nMR/OE description. Updated Output Rise/Fall Time Diagram.	8/19/02
D	T2 T8	1 3 7 8 11	Features Section - added lead-free bullet. Pin Characteristics Table - Changed CIN from 4pF max to 4pF typical. Parameter Measurement Information - added Bank Skew diagram. Application Information - added Recommendations for Unused Input and Output Pins. Ordering Information Table - added lead-free part number, marking and note. Updated format throughout the data sheet.	2/27/06
E	T8	11 13	Updated datasheet's header/footer with IDT from ICS. Removed ICS prefix from Part/Order Number column. Added Contact Page.	7/31/10
F	T8	11	Ordering Information - removed leaded devices. PDN CQ-13-02. Updated format throughout the data sheet.	1/22/15

IMPORTANT NOTICE AND DISCLAIMER

RENESAS ELECTRONICS CORPORATION AND ITS SUBSIDIARIES (“RENESAS”) PROVIDES TECHNICAL SPECIFICATIONS AND RELIABILITY DATA (INCLUDING DATASHEETS), DESIGN RESOURCES (INCLUDING REFERENCE DESIGNS), APPLICATION OR OTHER DESIGN ADVICE, WEB TOOLS, SAFETY INFORMATION, AND OTHER RESOURCES “AS IS” AND WITH ALL FAULTS, AND DISCLAIMS ALL WARRANTIES, EXPRESS OR IMPLIED, INCLUDING, WITHOUT LIMITATION, ANY IMPLIED WARRANTIES OF MERCHANTABILITY, FITNESS FOR A PARTICULAR PURPOSE, OR NON-INFRINGEMENT OF THIRD-PARTY INTELLECTUAL PROPERTY RIGHTS.

These resources are intended for developers who are designing with Renesas products. You are solely responsible for (1) selecting the appropriate products for your application, (2) designing, validating, and testing your application, and (3) ensuring your application meets applicable standards, and any other safety, security, or other requirements. These resources are subject to change without notice. Renesas grants you permission to use these resources only to develop an application that uses Renesas products. Other reproduction or use of these resources is strictly prohibited. No license is granted to any other Renesas intellectual property or to any third-party intellectual property. Renesas disclaims responsibility for, and you will fully indemnify Renesas and its representatives against, any claims, damages, costs, losses, or liabilities arising from your use of these resources. Renesas' products are provided only subject to Renesas' Terms and Conditions of Sale or other applicable terms agreed to in writing. No use of any Renesas resources expands or otherwise alters any applicable warranties or warranty disclaimers for these products.

(Disclaimer Rev.1.01 Jan 2024)

Corporate Headquarters

TOYOSU FORESIA, 3-2-24 Toyosu,
Koto-ku, Tokyo 135-0061, Japan
www.renesas.com

Trademarks

Renesas and the Renesas logo are trademarks of Renesas Electronics Corporation. All trademarks and registered trademarks are the property of their respective owners.

Contact Information

For further information on a product, technology, the most up-to-date version of a document, or your nearest sales office, please visit www.renesas.com/contact-us/.