

**HA-2510/883**

High Slew Rate Operational Amplifier

FN3697  
Rev 5.00  
August 13, 2015

The HA-2510/883 is a high performance operational amplifier which sets the standards for maximum slew rate and wide bandwidth operation in moderately powered, internally compensated, monolithic devices. In addition to excellent dynamic characteristics, this dielectrically isolated amplifier also offers low offset current and high input impedance.

The  $\pm 50V/\mu s$  minimum slew rate and fast settling time of the HA-2510/883 are ideally suited for high speed D/A, A/D, and pulse amplification designs. The HA-2510/883's superior bandwidth and 750kHz minimum full power bandwidth are extremely useful in RF and video applications. To insure compliance with slew rate and transient response specifications, all devices are 100% tested for AC performance characteristics over full temperature limits. To improve signal conditioning accuracy, the HA-2510/883 provides a maximum offset current of 25nA and a minimum input impedance of  $50M\Omega$ , both at 25°C, as well as offset voltage adjust capability.

**Ordering Information**

PART NUMBER	PART MARKING	TEMP. RANGE (°C)	PACKAGE	PKG. DWG. #
HA2-2510/883	HA2-2510/883	-55 to 125	8 Pin Can	T8.C
HA7-2510/883 (No longer available or supported)	HA7-2510/883	-55 to 125	8 Ld CERDIP	F8.3A

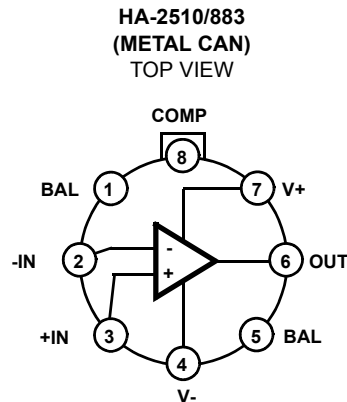
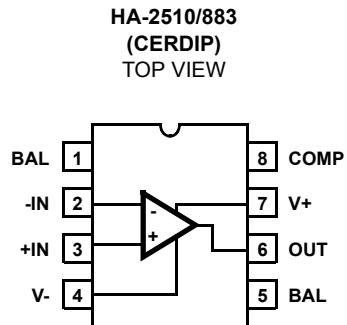
**Features**

- This Circuit is Processed in Accordance to MIL-STD-883 and is Fully Conformant Under the Provisions of Paragraph 1.2.1.
- High Slew Rate .....  $50V/\mu s$  (Min)  
 $65V/\mu s$  (Typ)
- Wide Power Bandwidth ..... 750kHz (Min)
- Low Offset Current ..... 25nA (Min)  
10nA (Typ)
- High Input Impedance .....  $50M\Omega$  (Min)  
 $100M\Omega$  (Typ)
- Wide Small Signal Bandwidth ..... 12MHz (Typ)
- Fast Settling Time (0.1% of 10V Step) ..... 250ns (Typ)
- Low Quiescent Supply Current ..... 6mA (Max)
- Internally Compensated For Unity Gain Stability

**Applications**

- Data Acquisition Systems
- RF Amplifiers
- Video Amplifiers
- Signal Generators
- Pulse Amplification

**Pinouts**



**Absolute Maximum Ratings**

Voltage Between V+ and V- Terminals .....40V  
 Differential Input Voltage .....15V  
 Voltage at Either Input Terminal ..... V+ to V-  
 Peak Output Current ..... 50mA  
 ESD Rating .....<2000V

**Operating Conditions**

Temperature Range ..... -55°C to 125°C  
 Supply Voltage ..... ±15V  
 $V_{INCM} \leq 1/2 (V+ - V-)$   
 $R_L \geq 2k\Omega$

**Thermal Information**

Thermal Resistance (Typical, Note 1)  $\theta_{JA}$   $\theta_{JC}$   
 Metal Can Package ..... 160°C/W 75°C/W  
 CERDIP Package ..... 120°C/W 30°C/W  
 Package Power Dissipation Limit at 75°C for  $T_J \leq 175^\circ\text{C}$   
 Metal Can Package ..... 625mW  
 CERDIP Package ..... 870mW  
 Package Power Dissipation Derating Factor Above 75°C  
 Metal Can Package ..... 6.3mW/°C  
 CERDIP Package ..... 8.7mW/°C  
 Maximum Junction Temperature ..... 175°C  
 Maximum Storage Temperature Range ..... -65°C to 150°C  
 Maximum Lead Temperature (Soldering 10s) ..... 300°C

*CAUTION: Stresses above those listed in "Absolute Maximum Ratings" may cause permanent damage to the device. This is a stress only rating and operation of the device at these or any other conditions above those indicated in the operational sections of this specification is not implied.*

**NOTE:**

1.  $\theta_{JA}$  is measured with the component mounted on a low effective thermal conductivity test board in free air. See Tech Brief TB379 for details.

**TABLE 1. DC ELECTRICAL PERFORMANCE CHARACTERISTICS**

Device Tested at:  $V_{SUPPLY} = \pm 15V$ ,  $R_{SOURCE} = 100\Omega$ ,  $R_{LOAD} = 500k\Omega$ ,  $V_{OUT} = 0V$ , Unless Otherwise Specified.

PARAMETER	SYMBOL	CONDITIONS	GROUP A SUBGROUPS	TEMP (°C)	MIN	MAX	UNITS
Input Offset Voltage	$V_{IO}$	$V_{CM} = 0V$	1	25	-8	8	mV
			2, 3	125, -55	-18	10	mV
Input Bias Current	+IB	$V_{CM} = 0V$ , $+R_S = 100k\Omega$ , $-R_S = 100\Omega$	1	25	-200	200	nA
			2, 3	125, -55	-400	400	nA
	-IB	$V_{CM} = 0V$ , $+R_S = 100\Omega$ , $-R_S = 100k\Omega$	1	25	-200	200	nA
			2, 3	125, -55	-400	400	nA
Input Offset Current	$I_{IO}$	$V_{CM} = 0V$ , $+R_S = 100k\Omega$ , $-R_S = 100k\Omega$	1	25	-25	25	nA
			2, 3	125, -55	-50	50	nA
Common Mode Range	+CMR	$V+ = 5V$ , $V- = -25V$	1	25	+10	-	V
			2, 3	125, -55	+10	-	V
	-CMR	$V+ = 25V$ , $V- = -5V$	1	25	-	-10	V
			2, 3	125, -55	-	-10	V
Large Signal Voltage Gain	+A <sub>VOL</sub>	$V_{OUT} = 0V$ and $+10V$ , $R_L = 2k\Omega$	4	25	10	-	kV/V
			5, 6	125, -55	7.5	-	kV/V
	-A <sub>VOL</sub>	$V_{OUT} = 0V$ and $-10V$ , $R_L = 2k\Omega$	4	25	10	-	kV/V
			5, 6	125, -55	7.5	-	kV/V
Common Mode Rejection Ratio	+CMRR	$\Delta V_{CM} = +10V$ , $V+ = +5V$ , $V- = -25V$ , $V_{OUT} = -10V$	1	25	80	-	dB
			2, 3	125, -55	80	-	dB
	-CMRR	$\Delta V_{CM} = -10V$ , $V+ = +25V$ , $V- = -5V$ , $V_{OUT} = +10V$	1	25	80	-	dB
			2, 3	125, -55	80	-	dB

**TABLE 1. DC ELECTRICAL PERFORMANCE CHARACTERISTICS (Continued)**Device Tested at:  $V_{SUPPLY} = \pm 15V$ ,  $R_{SOURCE} = 100\Omega$ ,  $R_{LOAD} = 500k\Omega$ ,  $V_{OUT} = 0V$ , Unless Otherwise Specified.

PARAMETER	SYMBOL	CONDITIONS	GROUP A SUBGROUPS	TEMP (°C)	MIN	MAX	UNITS
Output Voltage Swing	+V <sub>OUT</sub>	R <sub>L</sub> = 2k $\Omega$	4	25	10	-	V
			5, 6	125, -55	10	-	V
	-V <sub>OUT</sub>	R <sub>L</sub> = 2k $\Omega$	4	25	-	-10	V
			5, 6	125, -55	-	-10	V
Output Current	+I <sub>OUT</sub>	V <sub>OUT</sub> = -10V	4	25	10	-	mA
			5, 6	125, -55	7.5	-	mA
	-I <sub>OUT</sub>	V <sub>OUT</sub> = +10V	4	25	-	-10	mA
			5, 6	125, -55	-	-7.5	mA
Quiescent Power Supply Current	+I <sub>CC</sub>	V <sub>OUT</sub> = 0V, I <sub>OUT</sub> = 0mA	1	25	-	6	mA
			2, 3	125, -55	-	6.5	mA
	-I <sub>CC</sub>	V <sub>OUT</sub> = 0V, I <sub>OUT</sub> = 0mA	1	25	-6	-	mA
			2, 3	125, -55	-6.5	-	mA
Power Supply Rejection Ratio	+PSRR	$\Delta V_{SUP} = 10V$ , V <sub>+</sub> = +20V, V <sub>-</sub> = -15V, V <sub>+</sub> = +10V, V <sub>-</sub> = -15V	1	25	80	-	dB
			2, 3	125, -55	80	-	dB
	-PSRR	$\Delta V_{SUP} = 10V$ , V <sub>+</sub> = +15V, V <sub>-</sub> = -20V, V <sub>+</sub> = +15V, V <sub>-</sub> = -10V	1	25	80	-	dB
			2, 3	125, -55	80	-	dB
Offset Voltage Adjustment	+V <sub>IOAdj</sub>	Note 2	1	25	V <sub>IO</sub> -1	-	mV
			2, 3	125, -55	V <sub>IO</sub> -1	-	mV
	-V <sub>IOAdj</sub>	Note 2	1	25	V <sub>IO</sub> +1	-	mV
			2, 3	125, -55	V <sub>IO</sub> +1	-	mV

NOTE:

- Offset adjustment range is [V<sub>IO</sub>(Measured)  $\pm$ 1mV] minimum referred to output. This test is for functionality only to assure adjustment through 0V.

**TABLE 2. AC ELECTRICAL PERFORMANCE CHARACTERISTICS**Device Tested at:  $V_{SUPPLY} = \pm 15V$ ,  $R_{SOURCE} = 50\Omega$ ,  $R_{LOAD} = 2k\Omega$ ,  $C_{LOAD} = 50pF$ , A<sub>VCL</sub> = +1V/V, Unless Otherwise Specified.

PARAMETER	SYMBOL	CONDITIONS	GROUP A SUBGROUPS	TEMP (°C)	MIN	MAX	UNITS
Slew Rate	+SR	V <sub>OUT</sub> = -5V to +5V, 25% $\leq$ +SR $\leq$ 75%	7	25	50	-	V/ $\mu$ s
			8A, 8B	125, -55	45	-	V/ $\mu$ s
	-SR	V <sub>OUT</sub> = +5V to -5V, 75% $\geq$ -SR $\geq$ 25%	7	25	50	-	V/ $\mu$ s
			8A, 8B	125, -55	45	-	V/ $\mu$ s
Rise and Fall Time	t <sub>r</sub>	V <sub>OUT</sub> = 0 to +200mV, 10% $\leq$ t <sub>r</sub> $\leq$ 90%	7	25	-	50	ns
			8A, 8B	125, -55	-	60	ns
	t <sub>f</sub>	V <sub>OUT</sub> = 0 to -200mV, 10% $\leq$ t <sub>f</sub> $\leq$ 90%	7	25	-	50	ns
			8A, 8B	125, -55	-	60	ns

**TABLE 2. AC ELECTRICAL PERFORMANCE CHARACTERISTICS (Continued)**Device Tested at:  $V_{SUPPLY} = \pm 15V$ ,  $R_{SOURCE} = 50\Omega$ ,  $R_{LOAD} = 2k\Omega$ ,  $C_{LOAD} = 50pF$ ,  $A_{VCL} = +1V/V$ , Unless Otherwise Specified.

PARAMETER	SYMBOL	CONDITIONS	GROUP A SUBGROUPS	TEMP (°C)	MIN	MAX	UNITS
Overshoot	+OS	$V_{OUT} = 0$ to +200mV	7	25	-	40	%
			8A, 8B	125, -55	-	50	%
	-OS	$V_{OUT} = 0$ to -200mV	7	25	-	40	%
			8A, 8B	125, -55	-	50	%

**TABLE 3. ELECTRICAL PERFORMANCE CHARACTERISTICS**Device Characterized at:  $V_{SUPPLY} = \pm 15V$ ,  $R_{LOAD} = 2k\Omega$ ,  $C_{LOAD} = 50pF$ , Unless Otherwise Specified.

PARAMETER	SYMBOL	CONDITIONS	NOTES	TEMP (°C)	MIN	MAX	UNITS
Differential Input Resistance	$R_{IN}$	$V_{CM} = 0V$	3	25	50	-	$M\Omega$
Full Power Bandwidth	FPBW	$V_{PEAK} = 10V$	3, 4	25	750	-	kHz
Minimum Closed Loop Stable Gain	CLSG	$R_L = 2k\Omega$ , $C_L = 50pF$	3	-55 to 125	1	-	V/V
Quiescent Power Consumption	PC	$V_{OUT} = 0V$ , $I_{OUT} = 0mA$	3, 5	-55 to 125	-	195	mW

## NOTES:

- Parameters listed in Table 3 are controlled via design or process parameters and are not directly tested at final production. These parameters are lab characterized upon initial design release, or upon design changes. These parameters are guaranteed by characterization based upon data from multiple production runs which reflect lot to lot and within lot variation.
- Full Power Bandwidth guarantee based on Slew Rate measurement using  $FPBW = \text{Slew Rate} / (2\pi V_{PEAK})$ .
- Quiescent Power Consumption based upon Quiescent Supply Current test maximum. (No load on outputs.)

**TABLE 4. ELECTRICAL TEST REQUIREMENTS**

MIL-STD-883 TEST REQUIREMENTS	SUBGROUPS (SEE TABLES 1 AND 2)
Interim Electrical Parameters (Pre Burn-In)	1
Final Electrical Test Parameters	1 (Note 6), 2, 3, 4, 5, 6, 7, 8A, 8B
Group A Test Requirements	1, 2, 3, 4, 5, 6, 7, 8A, 8B
Groups C and D Endpoints	1

## NOTE:

- PDA applies to Subgroup 1 only.

**Die Characteristics**

**SUBSTRATE POTENTIAL (Powered Up):**

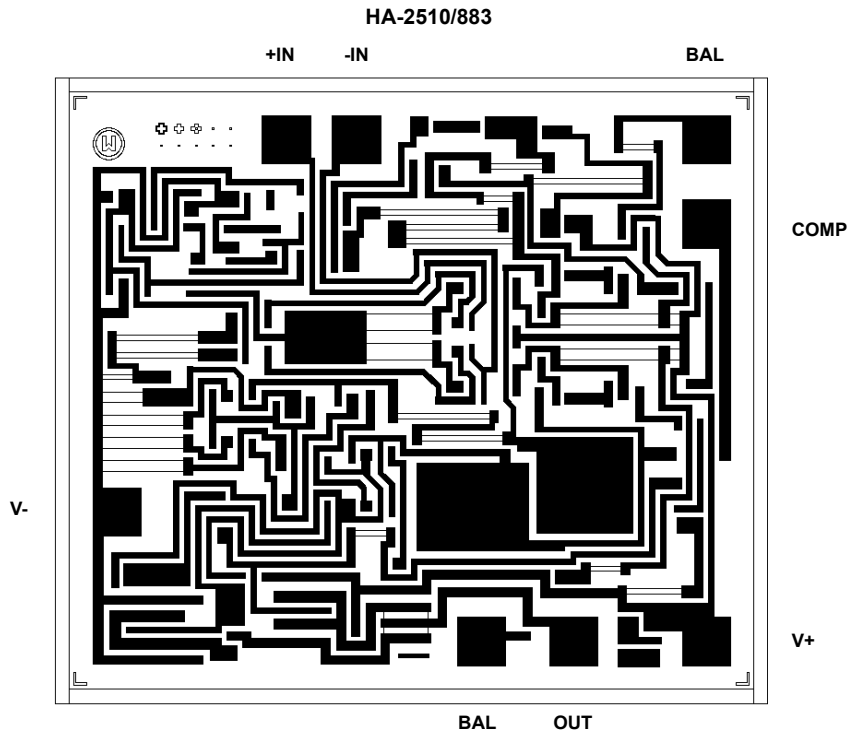
Unbiased

**TRANSISTOR COUNT:**

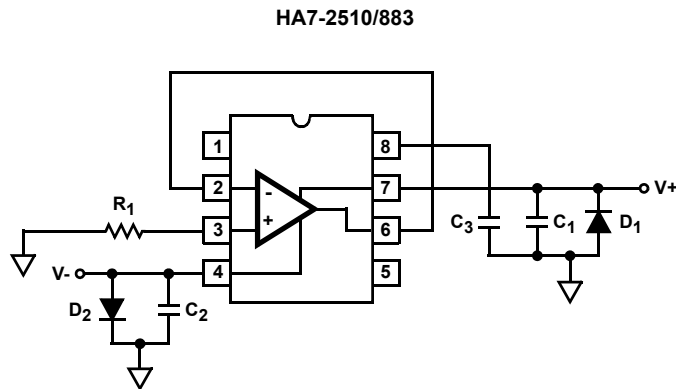
40

**PROCESS:** Bipolar Dielectric Isolation

**Metallization Mask Layout**



**Burn-In Circuit**



- R<sub>1</sub> = 1MΩ, ±5%, 1/4W (Min)
- C<sub>1</sub> = C<sub>2</sub> = 0.01μF/Socket (Min) or 0.1μF/Row (Min)
- C<sub>3</sub> = 0.01μF/Socket (10%)
- D<sub>1</sub> = D<sub>2</sub> = 1N4002 or Equivalent/Board
- |V<sub>+</sub> - V<sub>-</sub>| = 30V

---

## Revision History

The revision history provided is for informational purposes only and is believed to be accurate, but not warranted. Please go to the web to make sure that you have the latest revision.

DATE	REVISION	CHANGE
August 13, 2015	FN3697.5	Added Revision History beginning with Rev 5. Added About Intersil Verbiage. Updated Ordering Information Table on page 1.

## About Intersil

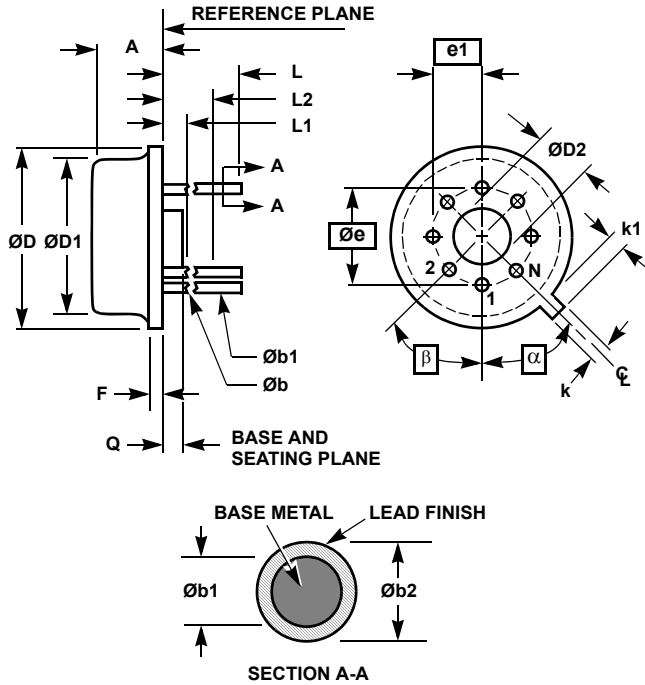
Intersil Corporation is a leading provider of innovative power management and precision analog solutions. The company's products address some of the largest markets within the industrial and infrastructure, mobile computing and high-end consumer markets.

For the most updated datasheet, application notes, related documentation and related parts, please see the respective product information page found at [www.intersil.com](http://www.intersil.com).

You may report errors or suggestions for improving this datasheet by visiting [www.intersil.com/ask](http://www.intersil.com/ask).

Reliability reports are also available from our website at [www.intersil.com/support](http://www.intersil.com/support)

**Metal Can Packages (Can)**



**T8.C MIL-STD-1835 MACY1-X8 (A1)  
8 LEAD METAL CAN PACKAGE**

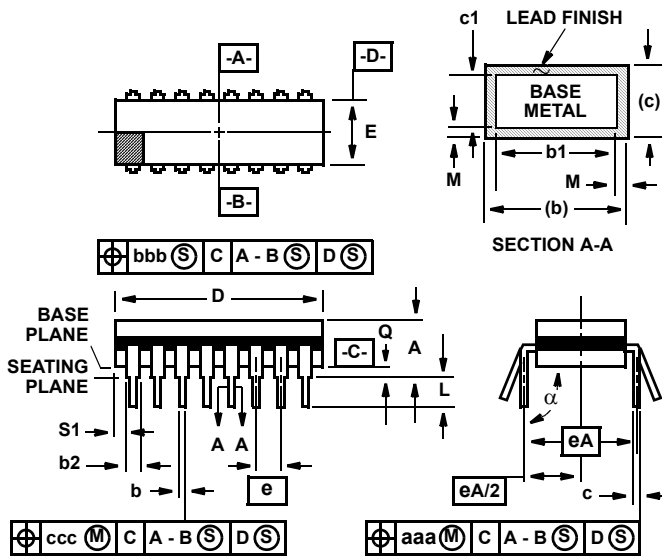
SYMBOL	INCHES		MILLIMETERS		NOTES
	MIN	MAX	MIN	MAX	
A	0.165	0.185	4.19	4.70	-
$\varnothing b$	0.016	0.019	0.41	0.48	1
$\varnothing b1$	0.016	0.021	0.41	0.53	1
$\varnothing b2$	0.016	0.024	0.41	0.61	-
$\varnothing D$	0.335	0.375	8.51	9.40	-
$\varnothing D1$	0.305	0.335	7.75	8.51	-
$\varnothing D2$	0.110	0.160	2.79	4.06	-
e	0.200 BSC		5.08 BSC		-
e1	0.100 BSC		2.54 BSC		-
F	-	0.040	-	1.02	-
k	0.027	0.034	0.69	0.86	-
k1	0.027	0.045	0.69	1.14	2
L	0.500	0.750	12.70	19.05	1
L1	-	0.050	-	1.27	1
L2	0.250	-	6.35	-	1
Q	0.010	0.045	0.25	1.14	-
$\alpha$	45° BSC		45° BSC		3
$\beta$	45° BSC		45° BSC		3
N	8		8		4

Rev. 0 5/18/94

**NOTES:**

1. (All leads)  $\varnothing b$  applies between L1 and L2.  $\varnothing b1$  applies between L2 and 0.500 from the reference plane. Diameter is uncontrolled in L1 and beyond 0.500 from the reference plane.
2. Measured from maximum diameter of the product.
3.  $\alpha$  is the basic spacing from the centerline of the tab to terminal 1 and  $\beta$  is the basic spacing of each lead or lead position (N - 1 places) from  $\alpha$ , looking at the bottom of the package.
4. N is the maximum number of terminal positions.
5. Dimensioning and tolerancing per ANSI Y14.5M - 1982.
6. Controlling dimension: INCH.

**Ceramic Dual-In-Line Frit Seal Packages (CERDIP)**



**F8.3A MIL-STD-1835 GDIP1-T8 (D-4, CONFIGURATION A)  
8 LEAD CERAMIC DUAL-IN-LINE FRIT SEAL PACKAGE**

SYMBOL	INCHES		MILLIMETERS		NOTES
	MIN	MAX	MIN	MAX	
A	-	0.200	-	5.08	-
b	0.014	0.026	0.36	0.66	2
b1	0.014	0.023	0.36	0.58	3
b2	0.045	0.065	1.14	1.65	-
b3	0.023	0.045	0.58	1.14	4
c	0.008	0.018	0.20	0.46	2
c1	0.008	0.015	0.20	0.38	3
D	-	0.405	-	10.29	5
E	0.220	0.310	5.59	7.87	5
e	0.100 BSC		2.54 BSC		-
eA	0.300 BSC		7.62 BSC		-
eA/2	0.150 BSC		3.81 BSC		-
L	0.125	0.200	3.18	5.08	-
Q	0.015	0.060	0.38	1.52	6
S1	0.005	-	0.13	-	7
alpha	90°	105°	90°	105°	-
aaa	-	0.015	-	0.38	-
bbb	-	0.030	-	0.76	-
ccc	-	0.010	-	0.25	-
M	-	0.0015	-	0.038	2, 3
N	8		8		8

Rev. 0 4/94

**NOTES:**

1. Index area: A notch or a pin one identification mark shall be located adjacent to pin one and shall be located within the shaded area shown. The manufacturer's identification shall not be used as a pin one identification mark.
2. The maximum limits of lead dimensions b and c or M shall be measured at the centroid of the finished lead surfaces, when solder dip or tin plate lead finish is applied.
3. Dimensions b1 and c1 apply to lead base metal only. Dimension M applies to lead plating and finish thickness.
4. Corner leads (1, N, N/2, and N/2+1) may be configured with a partial lead paddle. For this configuration dimension b3 replaces dimension b2.
5. This dimension allows for off-center lid, meniscus, and glass overrun.
6. Dimension Q shall be measured from the seating plane to the base plane.
7. Measure dimension S1 at all four corners.
8. N is the maximum number of terminal positions.
9. Dimensioning and tolerancing per ANSI Y14.5M - 1982.
10. Controlling dimension: INCH.

© Copyright Intersil Americas LLC 2002-2015. All Rights Reserved.  
All trademarks and registered trademarks are the property of their respective owners.

For additional products, see [www.intersil.com/en/products.html](http://www.intersil.com/en/products.html)

Intersil products are manufactured, assembled and tested utilizing ISO9001 quality systems as noted in the quality certifications found at [www.intersil.com/en/support/qualandreliability.html](http://www.intersil.com/en/support/qualandreliability.html)

Intersil products are sold by description only. Intersil may modify the circuit design and/or specifications of products at any time without notice, provided that such modification does not, in Intersil's sole judgment, affect the form, fit or function of the product. Accordingly, the reader is cautioned to verify that datasheets are current before placing orders. Information furnished by Intersil is believed to be accurate and reliable. However, no responsibility is assumed by Intersil or its subsidiaries for its use; nor for any infringements of patents or other rights of third parties which may result from its use. No license is granted by implication or otherwise under any patent or patent rights of Intersil or its subsidiaries.

For information regarding Intersil Corporation and its products, see [www.intersil.com](http://www.intersil.com)