

## 2.5V Single-Ended to SSTL\_2 Clock Driver (45MHz - 233MHz)

### Recommended Application:

Single-ended clock input with zero delay board fan out

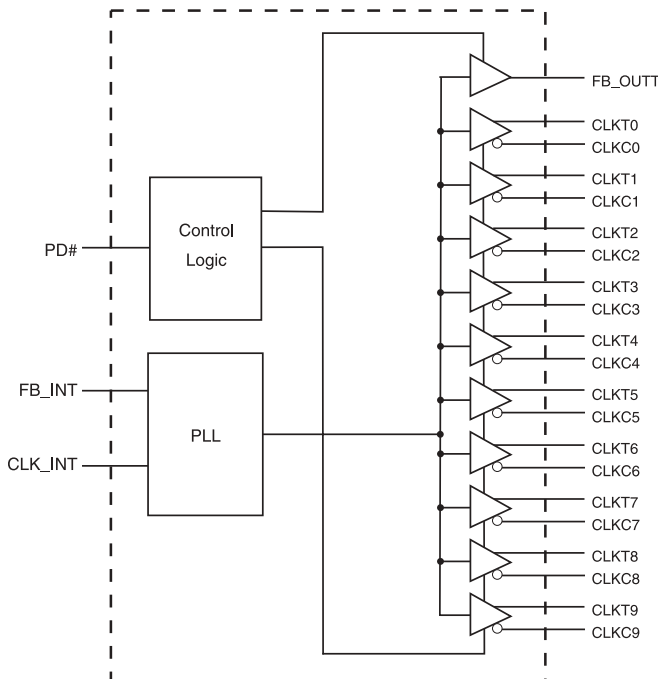
### Product Description/Features:

- Low skew, low jitter PLL clock driver
- 1 to 10 differential clock distribution (SSTL\_2)
- Feedback pin for input to output synchronization
- PD# for power management
- Spread Spectrum tolerant inputs

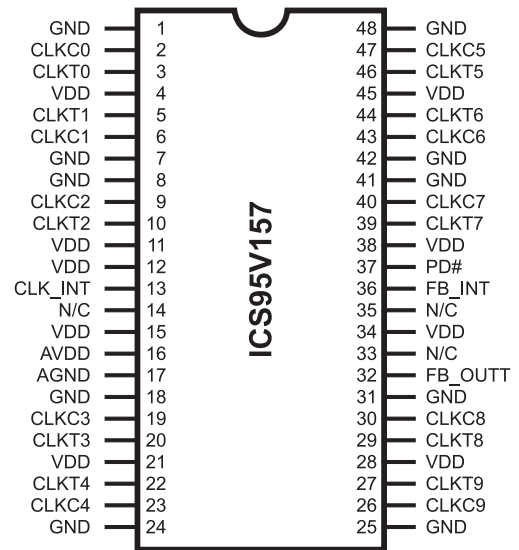
### Switching Characteristics:

- CYCLE - CYCLE jitter: <60ps
- OUTPUT - OUTPUT skew: <60ps
- Period jitter: ±30ps
- DUTY CYCLE: 49.5% - 50.5%

### Block Diagram



### Pin Configuration



### 48-Pin TSSOP

6.10 mm. Body, 0.50 mm. pitch = TSSOP

### Functionality

INPUTS			OUTPUTS			PLL State
AVDD	PD#	CLK_INT	CLKT	CLKC	FB_OUTT	
GND	H	L	L	H	L	Bypassed/off
GND	H	H	H	L	H	Bypassed/off
2.5V (nom)	L	L	Z	Z	Z	off
2.5V (nom)	L	H	Z	Z	Z	off
2.5V (nom)	H	L	L	H	L	on
2.5V (nom)	H	H	H	L	H	on

## Pin Descriptions

PIN NUMBER	PIN NAME	TYPE	DESCRIPTION
4, 11, 12, 15, 21, 28, 34, 38, 45,	VDD	PWR	Power supply, 2.5V
1, 7, 8, 18, 24, 25, 31, 41, 42, 48	GND	PWR	Ground
16	AVDD	PWR	Analog power supply, 2.5V
17	AGND	PWR	Analog ground
27, 29, 39, 44, 46, 22, 20, 10, 5, 3	CLKT[9:0]	OUT	"True" Clock of differential pair outputs
26, 30, 40, 43, 47, 23, 19, 9, 6, 2	CLKC[9:0]	OUT	"Complementary" clocks of differential pair outputs
13	CLK_INT	IN	"True" reference clock input
32	FB_OUTT	OUT	"True" Feedback output, dedicated for external feedback. It switches at the same frequency as the CLK. This output must be wired to FB_INT
36	FB_INT	IN	"True" Feedback input, provides feedback signal to the internal PLL for synchronization with CLK_INT to eliminate phase error
14, 33, 35	N/C	-	Not connected
37	PD#	IN	Power Down. LVCMOS input

This PLL Clock Buffer is designed for a  $V_{DD}$  of 2.5V, an  $AV_{DD}$  of 2.5V and differential data input and output levels.

**ICS95V157** is a zero delay buffer that distributes a single-ended clock input (CLK\_INT) to ten differential pair of clock outputs (CLKT[0:9], CLKC[0:9]) and one single-ended feedback clock output (FB\_OUTT). The clock outputs are controlled by the input clocks (CLK\_INT), the feedback clock (FB\_INT), the 2.5-V LVCMOS input (PD#) and the analog power input ( $AV_{DD}$ ). When input (PD#) is low while power is applied, the receivers are disabled, the PLL is turned off and the differential clock outputs are tri-stated. When  $AV_{DD}$  is grounded, the PLL is turned off and bypassed for test purposes.

The PLL in the **ICS95V157** clock driver uses the input clocks (CLK\_INT) and the feedback clock (FB\_INT) to provide high-performance, low-skew, low-jitter, output differential clocks (CLKT [0:9], CLKC [0:9]). **ICS95V157** is also able to track Spread Spectrum Clock (SSC) for reduced EMI.

**ICS95V157** is characterized for operation from 0°C to 85°C.

## Absolute Maximum Ratings

Supply Voltage (VDD & AVDD) . . . . .	-0.5V to 4.6V
Logic Inputs . . . . .	GND –0.5 V to V <sub>DD</sub> + 0.5 V
Ambient Operating Temperature . . . . .	0°C to +85°C
Storage Temperature . . . . .	–65°C to +150°C

Stresses above those listed under *Absolute Maximum Ratings* may cause permanent damage to the device. These ratings are stress specifications only and functional operation of the device at these or any other conditions above those listed in the operational sections of the specifications is not implied. Exposure to absolute maximum rating conditions for extended periods may affect product reliability.

## Electrical Characteristics - Input/Supply/Common Output Parameters

T<sub>A</sub> = 0 - 85°C; Supply Voltage A<sub>VDD</sub>, V<sub>DD</sub> = 2.5 V +/- 0.2V (unless otherwise stated)

PARAMETER	SYMBOL	CONDITIONS	MIN	TYP	MAX	UNITS
Input High Current	I <sub>IH</sub>	V <sub>I</sub> = V <sub>DD</sub> or GND	5			μA
Input Low Current	I <sub>IL</sub>	V <sub>I</sub> = V <sub>DD</sub> or GND			5	μA
Operating Supply Current	I <sub>DD2.5</sub>	C <sub>L</sub> = 0pf @ 200MHz			148	mA
	I <sub>DDPD</sub>	C <sub>L</sub> = 0pf			100	μA
High Impedance Output Current	I <sub>OZ</sub>	V <sub>DD</sub> = 2.7V, V <sub>out</sub> = V <sub>DD</sub> or GND			±10	mA
Input Clamp Voltage	V <sub>IK</sub>	V <sub>DD</sub> = 2.3V I <sub>in</sub> = -18mA			-1.2	V
High-level output voltage	V <sub>OH</sub>	I <sub>OH</sub> = -1 mA	V <sub>DD</sub> - 0.1			V
		I <sub>OH</sub> = -12 mA	1.7V			V
Low-level output voltage	V <sub>OL</sub>	I <sub>OL</sub> = 1 mA			0.1	V
		I <sub>OH</sub> = 12 mA			0.6	V
Input Capacitance <sup>1</sup>	C <sub>IN</sub>	V <sub>I</sub> = GND or V <sub>DD</sub>	2.5		3.5	pF

<sup>1</sup>Guaranteed by design at 233MHz, not 100% tested in production.

### Recommended Operating Condition (see note1)

$T_A = 0 - 85^\circ\text{C}$ ; Supply Voltage AVDD, VDD = 2.5 V +/- 0.2V (unless otherwise stated)

PARAMETER	SYMBOL	CONDITIONS	MIN	TYP	MAX	UNITS
Supply Voltage	$V_{DD}, A_{VDD}$		2.3	2.5	2.7	V
Low level input voltage	$V_{IL}$	CLK_INT, FB_INT		0.4	$V_{DD}/2 - 0.18$	V
		PD#	-0.3		0.7	V
High level input voltage	$V_{IH}$	CLK_INT, FB_INT	$V_{DD}/2 + 0.18$	2.1		V
		PD#	1.7		$V_{DD} + 0.6$	V
DC input signal voltage (note 2)	$V_{IN}$		-0.3		$V_{DD} + 0.3$	V
Output differential cross-voltage (note 4)	$V_{OX}$		$V_{DD}/2 - 0.15$		$V_{DD}/2 + 0.15$	V
High level output current	$I_{OH}$				-6.4	mA
Low level output current	$I_{OL}$				5.5	mA
Operating free-air temperature	$T_A$		0		85	$^\circ\text{C}$

#### Notes:

1. Unused inputs must be held high or low to prevent them from floating.
2. DC input signal voltage specifies the allowable DC execution of differential input.
3. Differential inputs signal voltages specifies the differential voltage [VTR-VCP] required for switching, where VT is the true input level and VCP is the complementary input level.
4. Differential cross-point voltage is expected to track variations of  $V_{DD}$  and is the voltage at which the differential signal must be crossing.

## Timing Requirements

$T_A = 0 - 85^\circ\text{C}$ ; Supply Voltage  $A_{VDD}$ ,  $V_{DD} = 2.5\text{ V} \pm 0.2\text{V}$  (unless otherwise stated)

PARAMETER	SYMBOL	CONDITIONS	MIN	MAX	UNITS
Max clock frequency	$\text{freq}_{\text{op}}$	$2.5\text{V} \pm 0.2\text{V} @ 25^\circ\text{C}$	45	233	MHz
Application Frequency Range	$\text{freq}_{\text{App}}$	$2.5\text{V} \pm 0.2\text{V} @ 25^\circ\text{C}$	95	210	MHz
Input clock duty cycle	$d_{\text{tin}}$		40	60	%
CLK stabilization	$T_{\text{STAB}}$			15	$\mu\text{s}$

## Switching Characteristics (see note 3)

PARAMETER	SYMBOL	CONDITION	MIN	TYP	MAX	UNITS
Low-to high level propagation delay time	$t_{\text{PLH}}^1$	CLK_IN to any output		5.5		ns
High-to low level propagation delay time	$t_{\text{PLL}}^1$	CLK_IN to any output		5.5		ns
Output enable time	$t_{\text{EN}}$	PD# to any output		5		ns
Output disable time	$t_{\text{dis}}$	PD# to any output		5		ns
Period jitter	$T_{\text{jit (per)}}$	100MHz to 200MHz	-30		30	ps
Half-period jitter	$t(\text{jit\_hper})$	100MHz to 200MHz	-75		30	ps
Input clock slew rate	$t_{\text{sl(i)}}$		1		4	V/ns
Output clock slew rate	$t_{\text{sl(o)}}$		1		2.5	V/ns
Cycle to Cycle Jitter <sup>1</sup>	$T_{\text{cyc}} - T_{\text{cyc}}$	100MHz to 200MHz			60	ps
Phase error	$t_{(\text{phase error})}^4$		-50	0	50	ps
Output to Output Skew	$T_{\text{skew}}$				60	ps

### Notes:

- Refers to transition on noninverting output in PLL bypass mode.
- While the pulse skew is almost constant over frequency, the duty cycle error increases at higher frequencies. This is due to the formula:  $\text{duty cycle} = t_{\text{wH}}/t_{\text{c}}$ , where the cycle ( $t_{\text{c}}$ ) decreases as the frequency goes up.
- Switching characteristics guaranteed for application frequency range.
- Static phase offset shifted by design.

Parameter Measurement Information

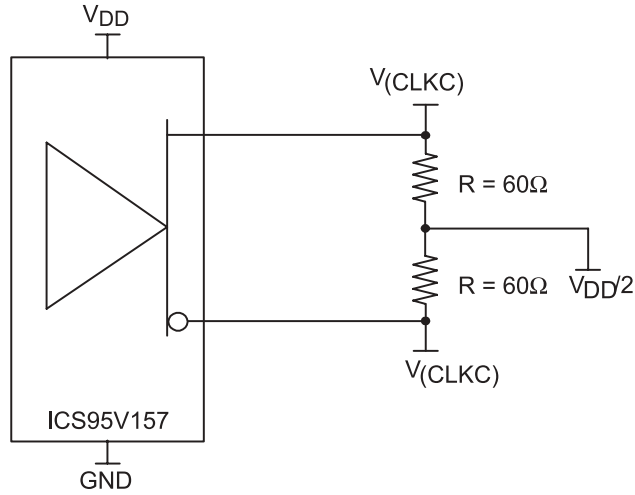
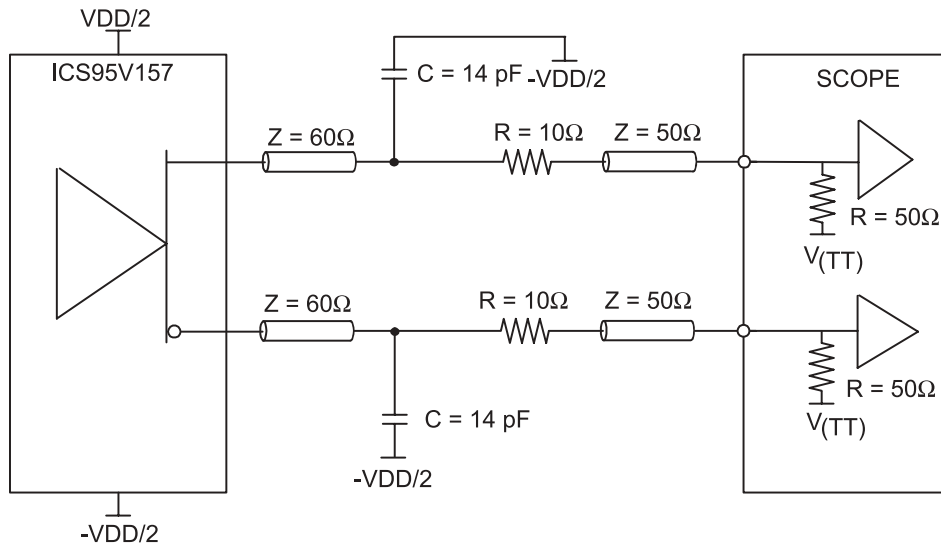


Figure 1. IBIS Model Output Load



NOTE: V<sub>(TT)</sub> = GND

Figure 2. Output Load Test Circuit

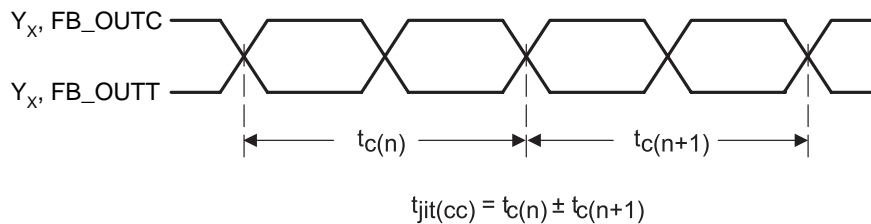


Figure 3. Cycle-to-Cycle Jitter

Parameter Measurement Information

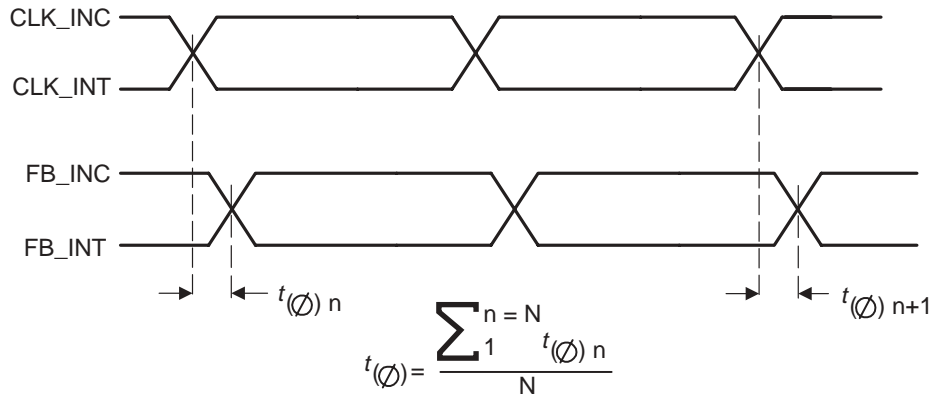


Figure 4. Static Phase Offset

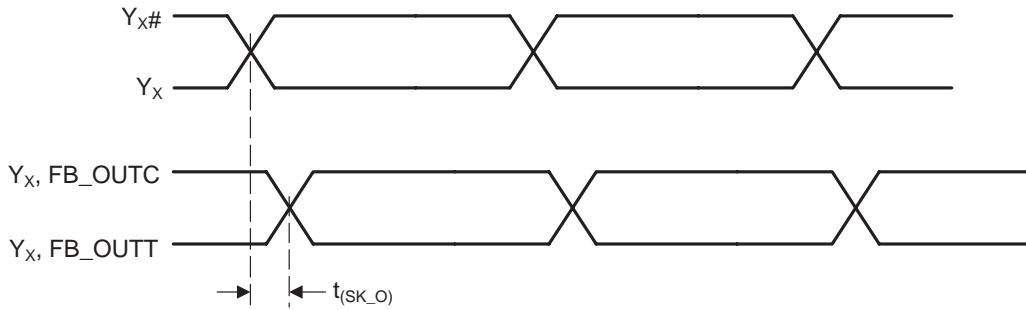


Figure 5. Output Skew

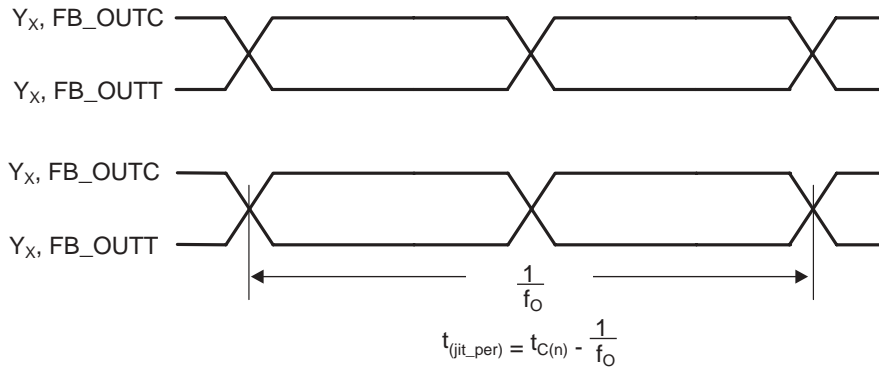


Figure 6. Period Jitter

Parameter Measurement Information

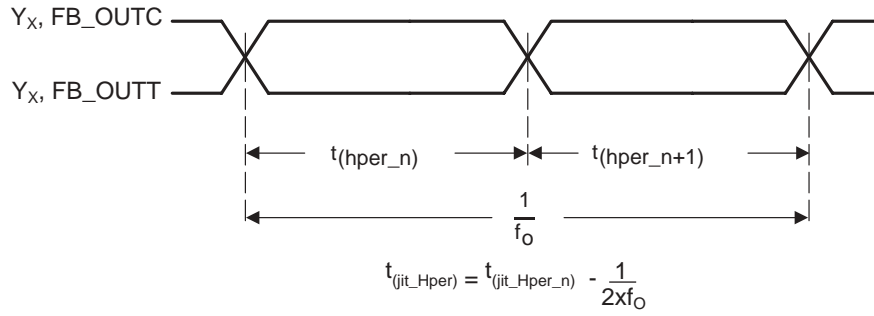


Figure 7. Half-Period Jitter

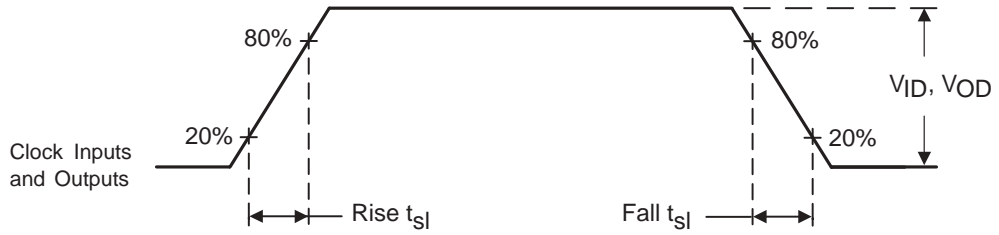
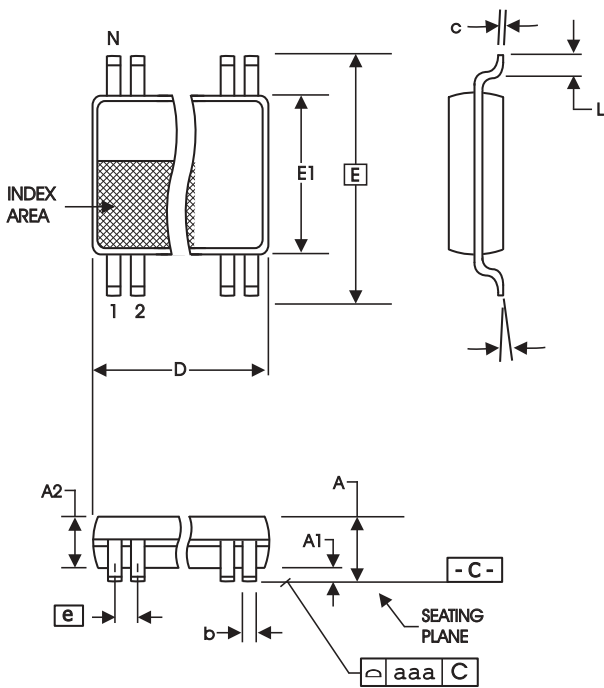


Figure 8. Input and Output Slew Rates





SYMBOL	In Millimeters		In Inches	
	COMMON DIMENSIONS	COMMON DIMENSIONS	COMMON DIMENSIONS	COMMON DIMENSIONS
A	--	1.20	--	.047
A1	0.05	0.15	.002	.006
A2	0.80	1.05	.032	.041
b	0.17	0.27	.007	.011
c	0.09	0.20	.0035	.008
D	SEE VARIATIONS		SEE VARIATIONS	
E	8.10 BASIC		0.319 BASIC	
E1	6.00	6.20	.236	.244
e	0.50 BASIC		0.020 BASIC	
L	0.45	0.75	.018	.030
N	SEE VARIATIONS		SEE VARIATIONS	
$\alpha$	0°	8°	0°	8°
aaa	--	0.10	--	.004

VARIATIONS

N	D mm.		D (inch)	
	MIN	MAX	MIN	MAX
48	12.40	12.60	.488	.496

Reference Doc.: JEDEC Publication 95, MO-153

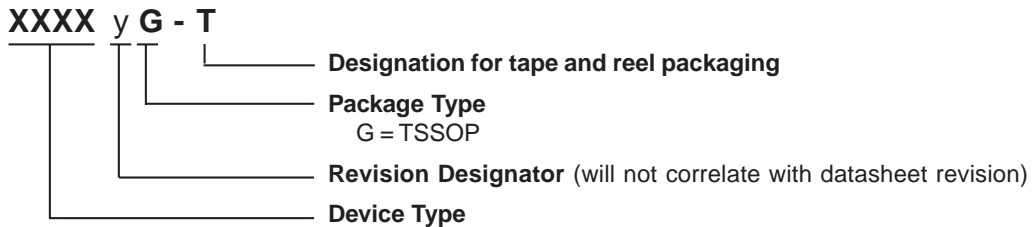
10-0039

6.10 mm. Body, 0.50 mm. pitch TSSOP  
(240 mil) (20 mil)

## Ordering Information

95V157yG - T

Example:



## IMPORTANT NOTICE AND DISCLAIMER

RENESAS ELECTRONICS CORPORATION AND ITS SUBSIDIARIES (“RENESAS”) PROVIDES TECHNICAL SPECIFICATIONS AND RELIABILITY DATA (INCLUDING DATASHEETS), DESIGN RESOURCES (INCLUDING REFERENCE DESIGNS), APPLICATION OR OTHER DESIGN ADVICE, WEB TOOLS, SAFETY INFORMATION, AND OTHER RESOURCES “AS IS” AND WITH ALL FAULTS, AND DISCLAIMS ALL WARRANTIES, EXPRESS OR IMPLIED, INCLUDING, WITHOUT LIMITATION, ANY IMPLIED WARRANTIES OF MERCHANTABILITY, FITNESS FOR A PARTICULAR PURPOSE, OR NON-INFRINGEMENT OF THIRD PARTY INTELLECTUAL PROPERTY RIGHTS.

These resources are intended for developers skilled in the art designing with Renesas products. You are solely responsible for (1) selecting the appropriate products for your application, (2) designing, validating, and testing your application, and (3) ensuring your application meets applicable standards, and any other safety, security, or other requirements. These resources are subject to change without notice. Renesas grants you permission to use these resources only for development of an application that uses Renesas products. Other reproduction or use of these resources is strictly prohibited. No license is granted to any other Renesas intellectual property or to any third party intellectual property. Renesas disclaims responsibility for, and you will fully indemnify Renesas and its representatives against, any claims, damages, costs, losses, or liabilities arising out of your use of these resources. Renesas' products are provided only subject to Renesas' Terms and Conditions of Sale or other applicable terms agreed to in writing. No use of any Renesas resources expands or otherwise alters any applicable warranties or warranty disclaimers for these products.

(Rev.1.0 Mar 2020)

### Corporate Headquarters

TOYOSU FORESIA, 3-2-24 Toyosu,  
Koto-ku, Tokyo 135-0061, Japan  
[www.renesas.com](http://www.renesas.com)

### Contact Information

For further information on a product, technology, the most up-to-date version of a document, or your nearest sales office, please visit:  
[www.renesas.com/contact/](http://www.renesas.com/contact/)

### Trademarks

Renesas and the Renesas logo are trademarks of Renesas Electronics Corporation. All trademarks and registered trademarks are the property of their respective owners.