



## Frequency Timing Generator for Transmeta Systems

**Recommended Application:**  
Transmeta

**Output Features:**

- 1 CPU(2.5V or 3.3V selectable) up to 66.6MHz & overclocking of 66MHz.
- 6 PCI (3.3V) @ 33.3MHz (all are free running selectable).
- 1 REF (3.3V) at 14.318MHz.
- 1 48MHz (3.3V).
- 1 24\_48MHz selectable output.

**Features:**

- Supports Spread Spectrum modulation for CPU and PCI clocks, default -0.4 downspread.
- Efficient Power management scheme through stop clocks and power down modes.
- Uses external 14.318MHz crystal, no external load cap required for CL=18pF crystal.
- 28-pin TSSOP package, 4.40mm (173mil).

**Skew Characteristics:**

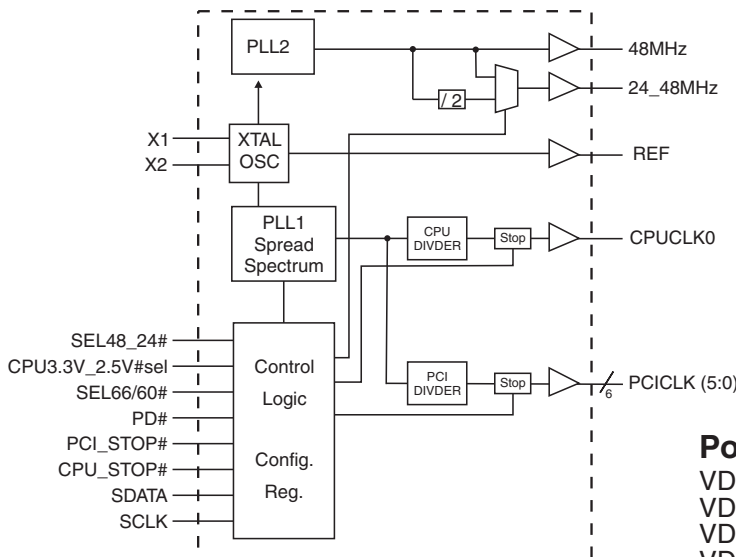
- CPU – CPU  $\leq 175ps$
- PCI – PCI  $\leq 500ps$
- CPU(early) – PCI = 1.5ns – 4ns.

**Pin Configuration**

GNDREF	1	28	VDDREF
X1	2	27	REF
X2	3	26	CPU_STOP#
PD#	4	25	VDDLCPU
PCICLK0	5	24	GNDLCPU
PCICLK1	6	23	CPUCLK0
PCICLK2	7	22	PCI_STOP#
GNDPCI	8	21	GND_Core
VDDPCI	9	20	VDD_Core
PCICLK3	10	19	SEL66/60#
PCICLK4	11	18	VDD48
PCICLK5	12	17	GND48
SDATA	13	16	48MHz/CPU3.3V_2.5V#sel
SCLK	14	15	24-48MHz/Sel48_24#

**28-Pin TSSOP**

**Block Diagram**



**Power Groups**

VDD\_Core, GND\_Core = PLL core  
 VDDREF, GNDREF = REF, X1, X2  
 VDDPCI, GNDPCI = PCICLK (5:0)  
 VDD48, GND48 = 48MHz (1:0)

## Pin Descriptions

Pin number	Pin name	Type	Description
1	GNDREF	Power	Ground for 14.318 MHz reference clock outputs
2	X1	Input	14.318 MHz crystal input
3	X2	Output	14.318 MHz crystal output
4	PD#	Input	Asynchronous active low input pin used to power down the device into a low power state. The internal clocks are disabled and the VCO and the crystal are stopped. The latency of the power down will not be greater than 3ms.
12, 11, 10, 7, 6, 5	PCICLK (5:0)	Output	3.3V PCI clock outputs, free running selectable
8	GNDPCI	Power	Ground for PCI clock outputs
9	VDDPCI	Power	3.3V power for the PCI clock outputs
15	Sel48_24#	Input	Selects 24MHz (0) or 48MHz (1) output
	24_48MHz	Output	Selectable output either 24MHz or 48MHz
13	SDATA	I/O	Data pin for I <sup>2</sup> C circuitry 5V tolerant
14	SCLK	IN	Clock pin of I <sup>2</sup> C circuitry 5V tolerant
16	CPU3.3-2.5#	Input	3.3 (1) or 2.5 (0) VDD buffer strength selection, has pullup to VDD, nominal 30K resistor.
	48MHz	Output	3.3V 48 MHz clock output, fixed frequency clock typically used with USB devices
17	GND48	Power	Ground for 48 MHz clocks
18	VDD48	Power	3.3V power for 48/24 MHz clocks
19	SEL 66/60#	Input	Control for the frequency of clocks at the CPU & PCICLK output pins. "0" = 60 MHz. "1" = 66.6 MHz. The PCI clock is multiplexed to run at 33.3 MHz for both selected cases.
20	VDD_Core	Power	Isolated 3.3V power for core
21	GND_Core	Power	Isolated ground for core
22	PCI_Stop#	Input	Synchronous active low input used to stop the PCICLK in active low state. It will not effect PCICLK_F or any other outputs.
23	CPUCLK0	Output	CPU clock outputs selectable 2.5V or 3.3V.
24	GNDLCPU	Power	Ground for CPU clock outputs
25	VDDLCPUCPU	Power	2.5V or 3.3V power for CPU clock outputs
26	CPU_STOP#	Input	Asynchronous active low input pin used to stop the CPUCLK in active low state, all other clocks will continue to run. The CPUCLK will have a "Turnon " latency of at least 3 CPU clocks.
27	REF	Output	3.3V 14.318 MHz reference clock output
28	VDDREF	Power	3.3V power for 14.318 MHz reference clock outputs.

### CPU Select Functions

SEL 66/60#	CPU (MHz)
0	60MHz
1	66.6MHz

### Power Management

#### Clock Enable Configuration

CPU_STOP#	PCI_STOP#	PWR_DWN#	CPUCLK	PCICLK	REF	Crystal	VCOs
X	X	0	Low	Low	Stopped	Off	Off
0	0	1	Low	Low	Running	Running	Running
0	1	1	Low	33.3 MHz	Running	Running	Running
1	0	1	60/66.6MHz	Low	Running	Running	Running
1	1	1	60/66.6MHz	33.3 MHz	Running	Running	Running

Full clock cycle timing is guaranteed at all times after the system has initially powered up except where noted. During power up and power down operations using the PD# pin will not cause clocks of a short or longer pulse than that of the running clock. The first clock pulse coming out of a stopped clock condition may be slightly distorted due to clock network charging circuitry. Board routing and signal loading may have a large impact on the initial clock distortion also.

### ICS9248-192 Power Management Requirements

SIGNAL	SIGNAL STATE	Latency No. of rising edges of free running PCICLK
CPU_STOP#	0 (Disabled) <sup>2</sup>	1
	1 (Enabled) <sup>1</sup>	1
PCI_STOP#	0 (Disabled) <sup>2</sup>	1
	1 (Enabled) <sup>1</sup>	1
PD#	1 (Normal Operation) <sup>3</sup>	3ms
	0 (Power Down) <sup>4</sup>	2max

#### Notes.

1. Clock on latency is defined from when the clock enable goes active to when the first valid clock comes out of the device.
2. Clock off latency is defined from when the clock enable goes inactive to when the last clock is driven low out of the device.
3. Power up latency is when PD# goes inactive (high) to when the first valid clocks are output by the device.
4. Power down has controlled clock counts applicable to CPUCLK, PCICLK only.  
The REF will be stopped independent of these.

## General I<sup>2</sup>C serial interface information

The information in this section assumes familiarity with I<sup>2</sup>C programming.

### How to Write:

- Controller (host) sends a start bit.
- Controller (host) sends the write address D2<sub>(H)</sub>
- ICS clock will *acknowledge*
- Controller (host) sends a dummy command code
- ICS clock will *acknowledge*
- Controller (host) sends a dummy byte count
- ICS clock will *acknowledge*
- Controller (host) starts sending first byte (Byte 0) through byte 6
- ICS clock will *acknowledge* each byte *one at a time*.

How to Write:	
Controller (Host)	ICS (Slave/Receiver)
Start Bit	
Address D2 <sub>(H)</sub>	
	<b>ACK</b>
Dummy Command Code	
	<b>ACK</b>
Dummy Byte Count	
	<b>ACK</b>
Byte 0	
	<b>ACK</b>
Byte 1	
	<b>ACK</b>
Byte 2	
	<b>ACK</b>
Byte 3	
	<b>ACK</b>
Byte 4	
	<b>ACK</b>
Byte 5	
	<b>ACK</b>
Byte 6	
	<b>ACK</b>
Stop Bit	

### How to Read:

- Controller (host) will send start bit.
- Controller (host) sends the read address D3<sub>(H)</sub>
- ICS clock will *acknowledge*
- ICS clock will send the *byte count*
- Controller (host) acknowledges
- ICS clock sends first byte (*Byte 0*) through *byte 6*
- Controller (host) will need to acknowledge each byte
- Controller (host) will send a stop bit

How to Read:	
Controller (Host)	ICS (Slave/Receiver)
Start Bit	
Address D3 <sub>(H)</sub>	
	<b>ACK</b>
	<b>Byte Count</b>
ACK	
	<b>Byte 0</b>
ACK	
	<b>Byte 1</b>
ACK	
	<b>Byte 2</b>
ACK	
	<b>Byte 3</b>
ACK	
	<b>Byte 4</b>
ACK	
	<b>Byte 5</b>
ACK	
	<b>Byte 6</b>
ACK	
Stop Bit	

### Notes:

1. The ICS clock generator is a slave/receiver, I<sup>2</sup>C component. It can read back the data stored in the latches for verification. **Read-Back will support Intel PII<sub>X4</sub> "Block-Read" protocol.**
2. The data transfer rate supported by this clock generator is 100K bits/sec or less (standard mode)
3. The input is operating at 3.3V logic levels.
4. The data byte format is 8 bit bytes.
5. To simplify the clock generator I<sup>2</sup>C interface, the protocol is set to use only **"Block-Writes"** from the controller. The bytes must be accessed in sequential order from lowest to highest byte with the ability to stop after any complete byte has been transferred. The Command code and Byte count shown above must be sent, but the data is ignored for those two bytes. The data is loaded until a Stop sequence is issued.
6. At power-on, all registers are set to a default condition, as shown.

## Serial Configuration Command Bitmap

Byte0: Functionality and Frequency Select Register (default = 0)

Bit	Bit2	Bit7	Bit6	Bit5	Bit4	CPU	PCI	Spread %	PWD
	FS4	FS3	FS2	FS1	FS0				
Bit 2,7:4	0	0	0	0	0	60	30	-0.4 % down spread	00000
	0	0	0	0	1	60	30	-0.6 % down spread	
	0	0	0	1	0	60	30	-0.8 % down spread	
	0	0	0	1	1	60	30	-1.0 % down spread	
	0	0	1	0	0	66.6	33.3	-0.4 % down spread	
	0	0	1	0	1	66.6	33.3	-0.6 % down spread	
	0	0	1	1	0	66.6	33.3	-0.8 % down spread	
	0	0	1	1	1	66.6	33.3	-1.0 % down spread	
	0	1	0	0	0	67.32	33.66	2% over-clocking	
	0	1	0	0	1	68.64	34.32	4% over-clocking	
	0	1	0	1	0	69.96	34.98	6% over-clocking	
	0	1	0	1	1	72.6	36.3	10% over-clocking	
	0	1	1	0	0	61.5	30.75	over-clocking	
	0	1	1	0	1	63	31.5	over-clocking	
	0	1	1	1	0	64	32	over-clocking	
	0	1	1	1	1	65	32.5	over-clocking	
	1	0	0	0	0	60	30	+/- 0.5% center spread	
	1	0	0	0	1	66.6	33.3	+/- 0.5% center spread	
	1	0	0	1	0	50	25	under-clocking	
	1	0	0	1	1	48	24	under-clocking	
	1	0	1	0	0	58.8	29.4	2% under-clock	
	1	0	1	0	1	57.6	28.8	4% under-clock	
	1	0	1	1	0	56.4	28.2	6% under-clock	
	1	0	1	1	1	54	27	10% under-clock	
	1	1	0	0	0	60	30	-1.4 % down spread	
	1	1	0	0	1	60	30	-1.6 % down spread	
	1	1	0	1	0	60	30	-1.8 % down spread	
	1	1	0	1	1	60	30	-2.0 % down spread	
1	1	1	0	0	66.6	33.3	-1.4 % down spread		
1	1	1	0	1	66.6	33.3	-1.6 % down spread		
1	1	1	1	0	66.6	33.3	-1.8 % down spread		
1	1	1	1	1	66.6	33.3	-2.0 % down spread		
Hardware latch inputs can only access these frequencies									
Bit3	0-Frequency is selected by hardware select. Latched input								0
	1-Frequency is selected by Bit 2, 7:4								
Bit1	0-Normal 1-Spread spectrun Enabled								0
Bit0	0-Running 1-Tristate all outputs								0

**Note:** PWD = Power-Up Default

### Byte 1: PCI Stop

BIT	PIN#	PWD	DESCRIPTION
Bit 7	12	1	PCICLK5
Bit 6	11	1	PCICLK4
Bit 5	10	1	PCICLK3
Bit 4	7	1	PCICLK2
Bit 3	6	1	PCICLK1
Bit 2	5	1	PCICLK0
Bit 1	-	X	Reserved
Bit 0	-	X	Reserved

**Note:**  
 1 = Inactive  
 0 = Active

### Byte 3: Free-Running Enable

BIT	PIN#	PWD	DESCRIPTION
Bit 7	12	1	PCICLK5
Bit 6	11	1	PCICLK4
Bit 5	10	1	PCICLK3
Bit 4	7	1	PCICLK2
Bit 3	6	1	PCICLK1
Bit 2	5	1	PCICLK0
Bit 1	-	X	Reserved
Bit 0	-	X	Reserved

**Note:**  
 0 = Not free-running (controlled by PCI\_STOP# pin)  
 1 = Free-running (can override Byte1 PCI Stop Control)

### Byte 5: Reserved

BIT	PIN#	PWD	DESCRIPTION
Bit 7	-	X	Reserved
Bit 6	-	X	Reserved
Bit 5	-	X	Reserved
Bit 4	-	X	Reserved
Bit 3	-	X	Reserved
Bit 2	-	X	Reserved
Bit 1	-	X	Reserved
Bit 0	-	X	Reserved

**Note:** PWD = Power-Up Default

### Byte 2: Stop Clocks

BIT	PIN#	PWD	DESCRIPTION
Bit 7	16	1	48MHz
Bit 6	15	1	48_24MHz
Bit 5	23	1	CPUCLK0
Bit 4	27	1	REF
Bit 3	-	X	Reserved
Bit 2	-	X	Reserved
Bit 1	-	X	Reserved
Bit 0	-	X	Reserved

**Note:**  
 1 = Inactive  
 0 = Active

### Byte 4: Reserved

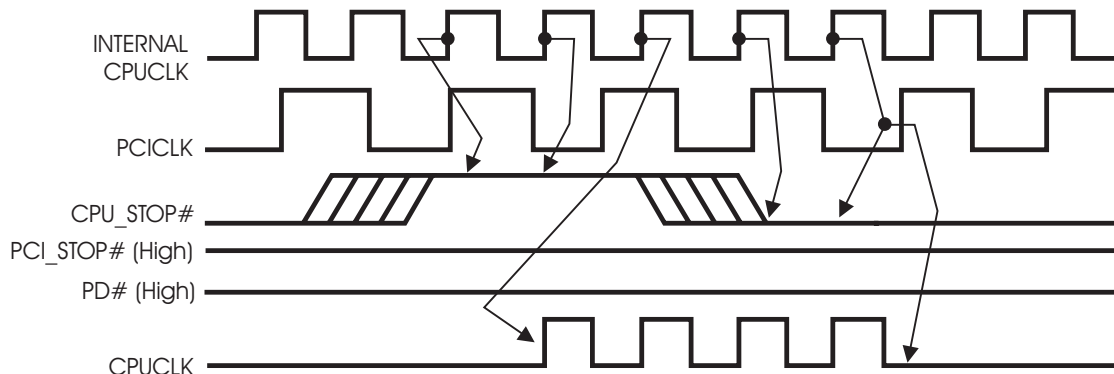
BIT	PIN#	PWD	DESCRIPTION
Bit 7	-	X	Reserved
Bit 6	-	X	Reserved
Bit 5	-	X	Reserved
Bit 4	-	X	Reserved
Bit 3	-	X	Reserved
Bit 2	-	X	Reserved
Bit 1	-	X	Reserved
Bit 0	-	X	Reserved

### Byte 6: Reserved

BIT	PIN#	PWD	DESCRIPTION
Bit 7	-	0	Reserved
Bit 6	-	0	Reserved
Bit 5	-	0	Reserved
Bit 4	-	0	Reserved
Bit 3	-	0	Reserved
Bit 2	-	1	Reserved
Bit 1	-	1	Reserved
Bit 0	-	0	Reserved

## CPU\_STOP# Timing Diagram

CPUSTOP# is an asynchronous input to the clock synthesizer. It is used to turn off the CPUCLKs for low power operation. CPU\_STOP# is synchronized by the **ICS9248-192**. The minimum that the CPUCLK is enabled (CPU\_STOP# high pulse) is 100 CPUCLKs. All other clocks will continue to run while the CPUCLKs are disabled. The CPUCLKs will always be stopped in a low state and start in such a manner that guarantees the high pulse width is a full pulse. CPUCLK on latency is less than 4 CPUCLKs and CPUCLK off latency is less than 4 CPUCLKs.

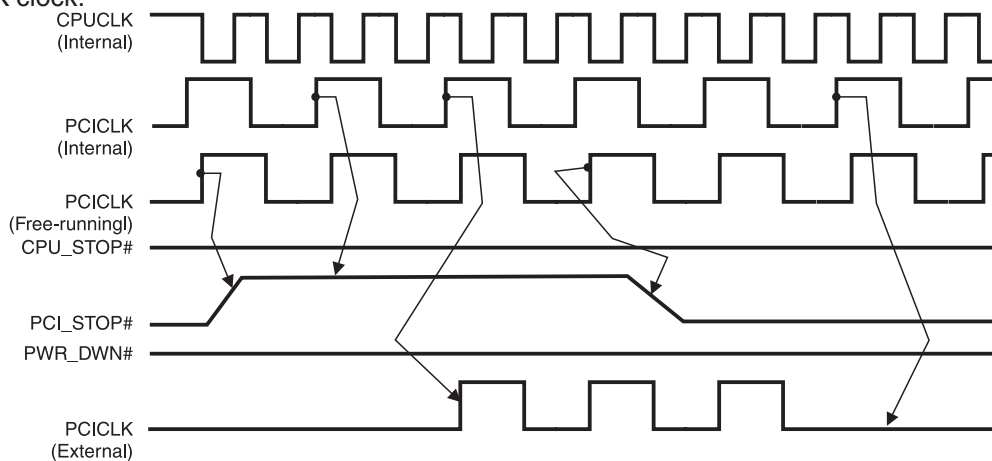


### Notes:

1. All timing is referenced to the internal CPUCLK.
2. CPU\_STOP# is an asynchronous input and metastable conditions may exist. This signal is synchronized to the CPUCLKs inside the **ICS9248-192**.
3. All other clocks continue to run undisturbed.
4. PD# and PCI\_STOP# are shown in a high (true) state.

## PCI\_STOP# Timing Diagram

PCI\_STOP# is an asynchronous input to the **ICS9248-192**. It is used to turn off the PCICLK clocks for low power operation. PCI\_STOP# is synchronized by the **ICS9248-192** internally. The minimum that the PCICLK clocks are enabled (PCI\_STOP# high pulse) is at least 10 PCICLK clocks. PCICLK clocks are stopped in a low state and started with a full high pulse width guaranteed. PCICLK clock on latency cycles are only one rising PCICLK clock off latency is one PCICLK clock.

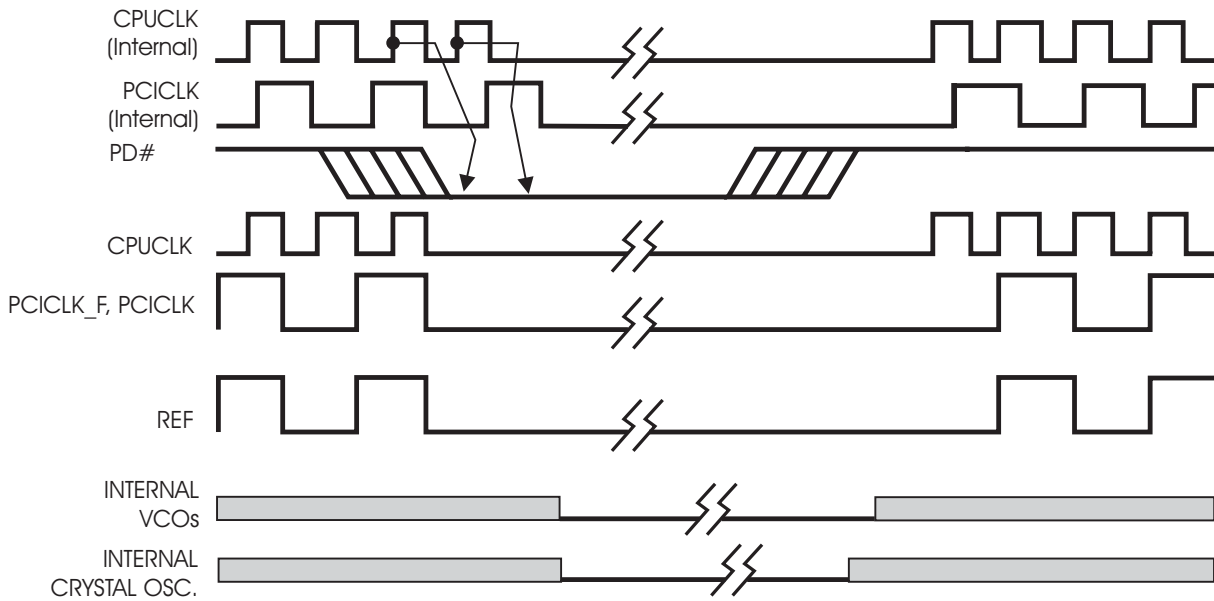


### Notes:

1. All timing is referenced to the Internal CPUCLK (defined as inside the **ICS9248-192** device.)
2. PCI\_STOP# is an asynchronous input, and metastable conditions may exist. This signal is required to be synchronized inside the **ICS9248-192**.
3. All other clocks continue to run undisturbed.
4. PD# and CPU\_STOP# are shown in a high (true) state.

## PD# Timing Diagram

The power down selection is used to put the part into a very low power state without turning off the power to the part. PD# is an asynchronous active low input. This signal is synchronized internally by the **ICS9248-192** prior to its control action of powering down the clock synthesizer. Internal clocks will not be running after the device is put in power down state. When PD# is active (low) all clocks are driven to a low state and held prior to turning off the VCOs and the crystal oscillator. The power on latency is guaranteed to be less than 3ms. The power down latency is less than three CPUCLK cycles. PCI\_STOP# and CPU\_STOP# are don't care signals during the power down operations.



**Notes:**

1. All timing is referenced to the Internal CPUCLK (defined as inside the ICS9248 device).
2. PD# is an asynchronous input and metastable conditions may exist. This signal is synchronized inside the ICS9248.
3. The shaded sections on the VCO and the Crystal signals indicate an active clock is being generated.



## Absolute Maximum Ratings

Supply Voltage	5.5 V
Logic Inputs	GND -0.5 V to $V_{DD} + 0.5$ V
Ambient Operating Temperature	0°C to +70°C
Storage Temperature	-65°C to +150°C

Stresses above those listed under *Absolute Maximum Ratings* may cause permanent damage to the device. These ratings are stress specifications only and functional operation of the device at these or any other conditions above those listed in the operational sections of the specifications is not implied. Exposure to absolute maximum rating conditions for extended periods may affect product reliability.

## Electrical Characteristics - Input/Supply/Common Output Parameters

$T_A = 0 - 70^\circ\text{C}$ ; Supply Voltage  $V_{DDL} = 2.5\text{V}$ ,  $V_{DD} = 3.3\text{ V} \pm 5\%$  (unless otherwise stated)

PARAMETER	SYMBOL	CONDITIONS	MIN	TYP	MAX	UNITS
Input High Voltage	$V_{IH}$		2		$V_{DD} + 0.3$	V
Input Low Voltage	$V_{IL}$		$V_{SS} - 0.3$		0.8	V
Input High Current	$I_{IH}$	$V_{IN} = V_{DD}$			5	mA
Input Low Current	$I_{IL1}$	$V_{IN} = 0$ V; Inputs with no pull-up resistors	-5			mA
Input Low Current	$I_{IL2}$	$V_{IN} = 0$ V; Inputs with pull-up resistors	-200			mA
Operating Supply Current	$I_{DD2.50P66}$	$C_L = 0$ pF; Select @ 66.6MHz			15	mA
	$I_{DD3.30P66}$	$C_L = 0$ pF; Select @ 66.6MHz			80	mA
Power Down Supply Current	$I_{DD3.3PD}$	$C_L = 0$ pF; With input address to Vdd or GND			600	$\mu\text{A}$
Input frequency	$F_i$	$V_{DD} = 3.3$ V;	11	14.318	16	MHz
Input Capacitance <sup>1</sup>	$C_{IN}$	Logic Inputs			5	pF
	$C_{INX}$	X1 & X2 pins	27		45	pF
Transition Time <sup>1</sup>	$T_{trans}$	To 1st crossing of target Freq.			3	ms
Clk Stabilization <sup>1</sup>	$T_{STAB}$	From $V_{DD} = 3.3$ V to 1% target Freq.			3	ms
Skew <sup>1</sup>	$T_{CPU-PCI}$	$V_T = 1.5$ V; $V_{TL} = 1.25$ V	1.5		4	ns

<sup>1</sup>Guaranteed by design, not 100% tested in production.

### Electrical Characteristics - CPUCLK

$T_A = 0 - 70^\circ\text{C}$ ;  $V_{DD} = 3.3 \text{ V} \pm 5\%$ ,  $V_{DDL} = 2.5 \text{ V} \pm 5\%$ ;  $C_L = 10 - 20 \text{ pF}$  (unless otherwise stated)

PARAMETER	SYMBOL	CONDITIONS	MIN	TYP	MAX	UNITS
Output High Voltage	$V_{OH2B}$	$I_{OH} = -12.0 \text{ mA}$	1.8			V
Output Low Voltage	$V_{OL2B}$	$I_{OL} = 12 \text{ mA}$			0.4	V
Output High Current	$I_{OH2B}$	$V_{OH} = 1.7 \text{ V}$			-27	mA
Output Low Current	$I_{OL2B}$	$V_{OL} = 0.7 \text{ V}$	27			mA
Rise Time	$t_{r2B}^1$	$V_{OL} = 0.4 \text{ V}$ , $V_{OH} = 2.0 \text{ V}$	0.4		1.6	ns
Fall Time	$t_{f2B}^1$	$V_{OH} = 2.0 \text{ V}$ , $V_{OL} = 0.4 \text{ V}$	0.4		1.6	ns
Duty Cycle	$d_{f2B}^1$	$V_T = 1.25 \text{ V}$	44		55	%
Skew	$t_{sk2B}^1$	$V_T = 1.25 \text{ V}$			175	ps
Jitter	$t_{jvc-cvc2B}^1$	$V_T = 1.25 \text{ V}$			250	ps
	$t_{jabs2B}^1$	$V_T = 1.25 \text{ V}$	-250		+250	ps

<sup>1</sup>Guaranteed by design, not 100% tested in production.

### Electrical Characteristics - REF

$T_A = 0 - 70^\circ\text{C}$ ;  $V_{DD} = 3.3 \text{ V}$ ,  $V_{DDL} = 2.5 \text{ V}$ ,  $\pm 5\%$ ;  $C_L = 10 - 20 \text{ pF}$  (unless otherwise stated)

PARAMETER	SYMBOL	CONDITIONS	MIN	TYP	MAX	UNITS
Output High Voltage	$V_{OH5}$	$I_{OH} = -12 \text{ mA}$	2.6			V
Output Low Voltage	$V_{OL5}$	$I_{OL} = 9 \text{ mA}$			0.4	V
Output High Current	$I_{OH5}$	$V_{OH} = 2.0 \text{ V}$			-22	mA
Output Low Current	$I_{OL5}$	$V_{OL} = 0.8 \text{ V}$	16			mA
Rise Time <sup>1</sup>	$t_{r5}$	$V_{OL} = 0.4 \text{ V}$ , $V_{OH} = 2.4 \text{ V}$			4	ns
Fall Time <sup>1</sup>	$t_{f5}$	$V_{OH} = 2.4 \text{ V}$ , $V_{OL} = 0.4 \text{ V}$			4	ns
Duty Cycle <sup>1</sup>	$d_{t5}$	$V_T = 1.5 \text{ V}$	45		55	%
Jitter <sup>1</sup>	$t_{jvc-cvc5}$	$V_T = 1.5 \text{ V}$ , REF			1000	ps
	$t_{jabs5}$	$V_T = 1.5 \text{ V}$ , REF			800	ps
Jitter <sup>1</sup>	$t_{jvc-cvc5}$	$V_T = 1.5 \text{ V}$ , 48 MHz			500	ps
	$t_{jabs5}$	$V_T = 1.5 \text{ V}$ , 48 MHz			800	ps

### Electrical Characteristics - 48MHz

$T_A = 0 - 70^\circ\text{C}$ ;  $V_{DD} = 3.3\text{ V}$ ,  $V_{DDL} = 2.5\text{V}$ , +/-5%;  $C_L = 10 - 20\text{ pF}$  (unless otherwise stated)

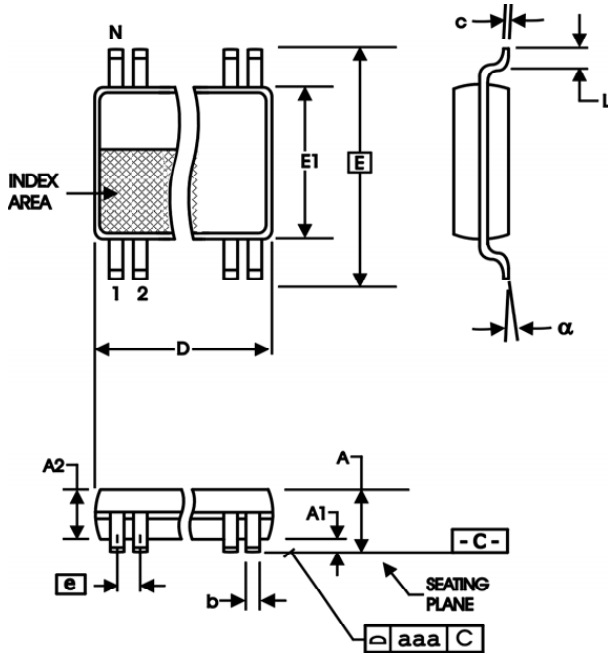
PARAMETER	SYMBOL	CONDITIONS	MIN	TYP	MAX	UNITS
Output High Voltage	$V_{OH5}$	$I_{OH} = -12\text{ mA}$	2.6			V
Output Low Voltage	$V_{OL5}$	$I_{OL} = 9\text{ mA}$			0.4	V
Output High Current	$I_{OH5}$	$V_{OH} = 2.0\text{ V}$			-22	mA
Output Low Current	$I_{OL5}$	$V_{OL} = 0.8\text{ V}$	16			mA
Rise Time <sup>1</sup>	$t_{r5}$	$V_{OL} = 0.4\text{ V}$ , $V_{OH} = 2.4\text{ V}$			1.2	ns
Fall Time <sup>1</sup>	$t_{f5}$	$V_{OH} = 2.4\text{ V}$ , $V_{OL} = 0.4\text{ V}$			1.2	ns
Duty Cycle <sup>1</sup>	$d_{t5}$	$V_T = 1.5\text{ V}$	45		55	%
Jitter <sup>1</sup>	$t_{j\text{cyc-cyc}5}$	$V_T = 1.5\text{ V}$ , REF			1000	ps
	$t_{j\text{abs}5}$	$V_T = 1.5\text{ V}$ , REF			800	ps
Jitter <sup>1</sup>	$t_{j\text{cyc-cyc}5}$	$V_T = 1.5\text{ V}$ , 48 MHz			500	ps
	$t_{j\text{abs}5}$	$V_T = 1.5\text{ V}$ , 48 MHz			800	ps

### Electrical Characteristics - PCICK

$T_A = 0 - 70^\circ\text{C}$ ;  $V_{DD} = 3.3\text{ V}$ ,  $V_{DDL} = 2.5\text{V}$  +/-5%;  $C_L = 30\text{ pF}$

PARAMETER	SYMBOL	CONDITIONS	MIN	TYP	MAX	UNITS
Output High Voltage	$V_{OH1}$	$I_{OH} = -18\text{ mA}$	2.1			V
Output Low Voltage	$V_{OL1}$	$I_{OL} = 9.4\text{ mA}$			0.4	V
Output High Current	$I_{OH1}$	$V_{OH} = 2.0\text{ V}$			-22	mA
Output Low Current	$I_{OL1}$	$V_{OL} = 0.8\text{ V}$	16		57	mA
Rise Time <sup>1</sup>	$t_{r1}$	$V_{OL} = 0.4\text{ V}$ , $V_{OH} = 2.4\text{ V}$			2	ns
Fall Time <sup>1</sup>	$t_{f1}$	$V_{OH} = 2.4\text{ V}$ , $V_{OL} = 0.4\text{ V}$			2	ns
Duty Cycle <sup>1</sup>	$d_{t1}$	$V_T = 1.5\text{ V}$	45		55	%
Skew <sup>1</sup>	$t_{sk1}$	$V_T = 1.5\text{ V}$			500	ps
Jitter	$t_{j\text{cyc-cyc}}^1$	$V_T = 1.5\text{ V}$			500	ps
	$t_{j\text{abs}1}$	$V_T = 1.5\text{ V}$			500	ps

<sup>1</sup>Guaranteed by design, not 100% tested in production.



4.40 mm. Body, 0.65 mm. pitch TSSOP  
(173 mil) (0.0256 Inch)

SYMBOL	In Millimeters COMMON DIMENSIONS		In Inches COMMON DIMENSIONS	
	MIN	MAX	MIN	MAX
A	-	1.20	-	.047
A1	0.05	0.15	.002	.006
A2	0.80	1.05	.032	.041
b	0.19	0.30	.007	.012
c	0.09	0.20	.0035	.008
D	SEE VARIATIONS		SEE VARIATIONS	
E	6.40 BASIC		0.252 BASIC	
E1	4.30	4.50	.169	.177
e	0.65 BASIC		0.0256 BASIC	
L	0.45	0.75	.018	.030
N	SEE VARIATIONS		SEE VARIATIONS	
$\alpha$	0°	8°	0°	8°
aaa	-	0.10	-	.004

VARIATIONS

N	D mm.		D (inch)	
	MIN	MAX	MIN	MAX
28	9.60	9.80	.378	.386

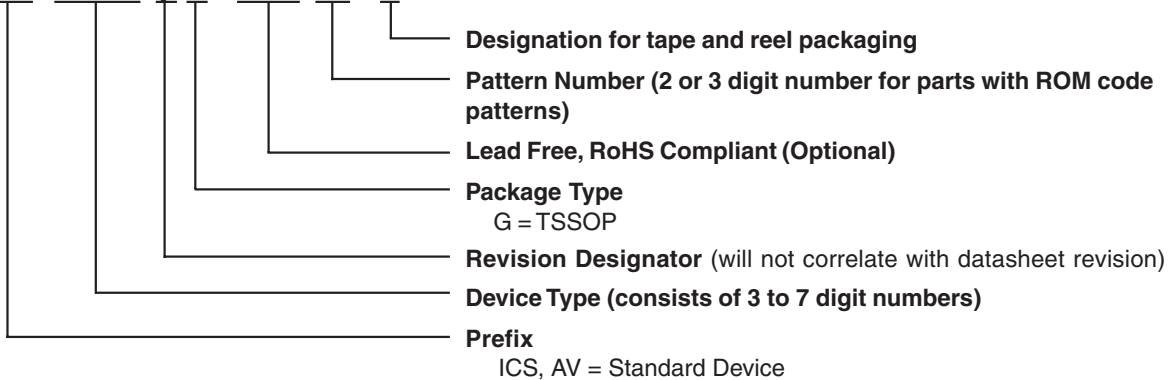
MO-153 JEDEC  
Doc.# 10-0035 7/6/00 Rev C

## Ordering Information

ICS9248yG-192LF-T

Example:

ICS XXXX y G - PPP LF - T



**Revision History**

<b>Rev.</b>	<b>Issue Date</b>	<b>Description</b>	<b>Page #</b>
F	10/27/2005	Added LF to Ordering Information	12

## IMPORTANT NOTICE AND DISCLAIMER

RENESAS ELECTRONICS CORPORATION AND ITS SUBSIDIARIES (“RENESAS”) PROVIDES TECHNICAL SPECIFICATIONS AND RELIABILITY DATA (INCLUDING DATASHEETS), DESIGN RESOURCES (INCLUDING REFERENCE DESIGNS), APPLICATION OR OTHER DESIGN ADVICE, WEB TOOLS, SAFETY INFORMATION, AND OTHER RESOURCES “AS IS” AND WITH ALL FAULTS, AND DISCLAIMS ALL WARRANTIES, EXPRESS OR IMPLIED, INCLUDING, WITHOUT LIMITATION, ANY IMPLIED WARRANTIES OF MERCHANTABILITY, FITNESS FOR A PARTICULAR PURPOSE, OR NON-INFRINGEMENT OF THIRD PARTY INTELLECTUAL PROPERTY RIGHTS.

These resources are intended for developers skilled in the art designing with Renesas products. You are solely responsible for (1) selecting the appropriate products for your application, (2) designing, validating, and testing your application, and (3) ensuring your application meets applicable standards, and any other safety, security, or other requirements. These resources are subject to change without notice. Renesas grants you permission to use these resources only for development of an application that uses Renesas products. Other reproduction or use of these resources is strictly prohibited. No license is granted to any other Renesas intellectual property or to any third party intellectual property. Renesas disclaims responsibility for, and you will fully indemnify Renesas and its representatives against, any claims, damages, costs, losses, or liabilities arising out of your use of these resources. Renesas' products are provided only subject to Renesas' Terms and Conditions of Sale or other applicable terms agreed to in writing. No use of any Renesas resources expands or otherwise alters any applicable warranties or warranty disclaimers for these products.

(Rev.1.0 Mar 2020)

### Corporate Headquarters

TOYOSU FORESIA, 3-2-24 Toyosu,  
Koto-ku, Tokyo 135-0061, Japan  
[www.renesas.com](http://www.renesas.com)

### Contact Information

For further information on a product, technology, the most up-to-date version of a document, or your nearest sales office, please visit:  
[www.renesas.com/contact/](http://www.renesas.com/contact/)

### Trademarks

Renesas and the Renesas logo are trademarks of Renesas Electronics Corporation. All trademarks and registered trademarks are the property of their respective owners.