

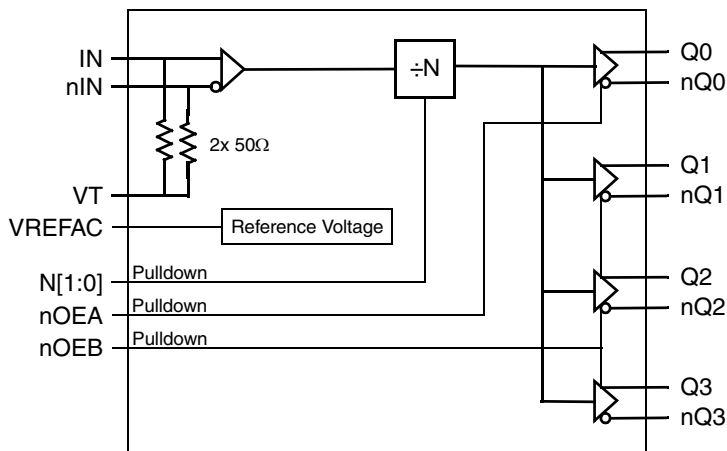
General Description

The 8V79S674 is a clock divider and fanout buffer. The device has been designed for clock signal division in wireless base station radio equipment boards. The device is optimized to deliver excellent additive phase jitter performance. The 8V79S674 uses SiGe technology for an optimum of high clock frequency and low phase noise performance, combined with high power supply noise rejection. The device offers the frequency division by $\div 1$, $\div 2$, $\div 4$ and $\div 8$. Four low-skew LVPECL outputs are available and support clock output frequencies up to 2500MHz ($\div 1$ frequency division). Outputs can be disabled to save power consumption if not used. The device is packaged in a lead-free (RoHS 6) 20-lead VFQFN package. The extended temperature range supports wireless infrastructure, telecommunication and networking end equipment requirements.

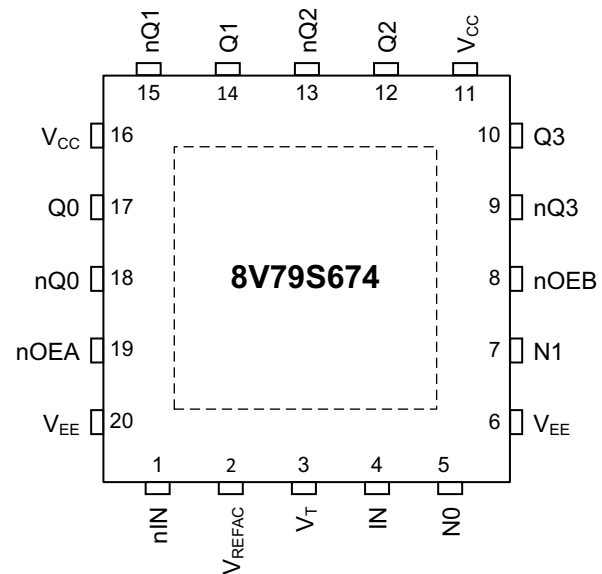
Features

- Clock signal division and distribution
- SiGe technology for high-frequency and fast signal rise/fall times
- Four low-skew LVPECL clock outputs
- Supports frequency division of $\div 1$, $\div 2$, $\div 4$ and $\div 8$
- Maximum frequency: 2500MHz
- Maximum output skew: 50ps (maximum)
- Maximum LVPECL output rise/fall time: 200ps (maximum)
- 3.3V or 2.5V core and output supply mode
- Supports 1.8V I/O logic levels for all control pins
- -40°C to 85°C ambient operating temperature
- Available in lead-free (RoHS 6) package

Block Diagram



Pin Assignment



20-pin, 4mm x 4mm VFQFN Package

Pin Description and Pin Characteristic Tables

Table 1. Pin Descriptions

Number	Name	Type		Description
1	nIN	Input		Inverting differential clock signal input. Internal termination 50Ω to V _T .
2	V _{REFAC}	Output		Reference voltage for AC-coupled applications of IN, nIN.
3	V _T			Leave open if IN, nIN is used with LVDS signals. Connect 50Ω to V _{EE} if IN, nIN is used with LVPECL signals.
4	IN	Input		Non-inverting differential clock signal input. Internal termination 50Ω to V _T .
5, 7	N0, N1	Input	Pulldown	Frequency divider controls. 1.8V LVCMOS/LVTTL interface levels.
6, 20	V _{EE}	Power		Negative power supply voltage (ground).
8	nOEB	Input	Pulldown	Output enable control for the Q1, Q2 and Q3 outputs. 1.8V LVCMOS/LVTTL interface levels.
9, 10	nQ3, Q3	Output		Differential clock output pair. LVPECL output levels.
11, 16	V _{CC}	Power		Power supply voltage.
12, 13	Q2, nQ2	Output		Differential clock output pair. LVPECL output levels
14, 15	Q1, nQ1	Output		Differential clock output pair. LVPECL output levels
17, 18	Q0, nQ0	Output		Differential clock output pair. LVPECL output levels
19	nOEA	Input	Pulldown	Output enable control for the Q0 output. 1.8V LVCMOS/LVTTL interface levels.
—	V _{EE_EP}	Power		Exposed package pad negative supply voltage (ground). Return current path for the Q0, Q1, Q2 and Q3 outputs. This pin must be connected to ground.

NOTE: *Pulldown* refers to an internal input resistor. See Table 2, *Pin Characteristics*, for typical values.

Table 2. Pin Characteristics

Symbol	Parameter	Test Conditions	Minimum	Typical	Maximum	Units
C _{IN}	Input Capacitance			2		pF
R _{PULLDOWN}	Input Pulldown Resistor			51		kΩ

Truth Tables

Table 3A. Nx Clock Divider Function Table

Input		Divider Value
N1	N0	
0 (default)	0 (default)	÷1
0	1	÷2
1	0	÷4
1	1	÷8

Table 3B. nOEA Output Enable Function Table

Input	Output Operation
nOEA	
0 (default)	Q0 is enabled
1	Q0 is disabled in logic Low state

Table 3C. nOEB Output Enable Function Table

Input	Output Operation
nOEB	
0 (default)	Q1, Q2 and Q3 are enabled
1	Q1, Q2 and Q3 are disabled in logic Low state

Absolute Maximum Ratings

NOTE: Stresses beyond those listed under *Absolute Maximum Ratings* may cause permanent damage to the device. These ratings are stress specifications only. Functional operation of the product at these conditions or any conditions beyond those listed in the *DC Characteristics* or *AC Characteristics* is not implied. Exposure to absolute maximum rating conditions for extended periods may affect product reliability.

Item	Rating
Supply Voltage, V_{CC}	4.6V
Inputs, V_I	-0.5V to $V_{CC} + 0.5V$
Outputs, I_O Continuous Current Surge Current	50mA 100mA
Input Current, I_{IN} , nIN	$\pm 50mA$
V_T Current, I_{VT}	$\pm 100mA$
Input Sink/Source, I_{REF_AC}	$\pm 2mA$
T_J	125°C
Storage Temperature, T_{STG}	-65°C to 150°C

DC Electrical Characteristics

Table 4A. Power Supply DC Characteristics, $V_{CC} = 3.3V \pm 5\%$, $V_{EE} = 0V$, $T_A = -40^\circ C$ to $85^\circ C$

Symbol	Parameter	Test Conditions	Minimum	Typical	Maximum	Units
V_{CC}	Power Supply Voltage		3.135	3.3	3.465	V
I_{EE}	Power Supply Current	Outputs Unloaded		80	90	mA

Table 4B. Power Supply DC Characteristics, $V_{CC} = 2.5V \pm 5\%$, $V_{EE} = 0V$, $T_A = -40^\circ C$ to $85^\circ C$

Symbol	Parameter	Test Conditions	Minimum	Typical	Maximum	Units
V_{CC}	Power Supply Voltage		2.375	2.5	2.625	V
I_{EE}	Power Supply Current	Outputs Unloaded		75	85	mA

Table 4C. LVCMOS/LVTTL DC Characteristics, $V_{CC} = 3.3V \pm 5\%$ or $2.5V \pm 5\%$, $V_{EE} = 0V$, $T_A = -40^\circ C$ to $85^\circ C$

Symbol	Parameter	Test Conditions	Minimum	Typical	Maximum	Units
V_{IH}	Input High Voltage	$V_{CC} = 3.3V$	1.2		V_{CC}	V
		$V_{CC} = 2.5V$	1.2		V_{CC}	V
V_{IL}	Input Low Voltage	1.8V logic	-0.3		0.3	V
I_{IH}	Input High Current	N[1:0], nOEA, nOEB $V_{CC} = V_{IN} = 3.465V$ or $2.625V$			150	μA
I_{IL}	Input Low Current	N[1:0], nOEA, nOEB $V_{CC} = 3.465V$ or $2.625V$, $V_{IN} = 0V$	-10			μA

Table 4D. Differential DC Characteristics, $V_{CC} = 3.3V \pm 5\%$ or $2.5V \pm 5\%$, $V_{EE} = 0V$, $T_A = -40^\circ C$ to $85^\circ C$

Symbol	Parameter		Test Conditions	Minimum	Typical	Maximum	Units
R_{IN}	Input Resistance	IN, nIN	IN to VT, nIN to VT	40	50	60	Ω
I_{IN}	Input Current	IN, nIN				30	mA
V_{REFAC}	Bias Voltage		$V_{CC} = 2.5V$ or $3.3V$ $I_{REFAC} = \pm 1mA$	$V_{CC} - 1.5$	$V_{CC} - 1.28$	$V_{CC} - 1.0$	V

Table 4E. LVPECL DC Characteristics, $V_{CC} = 3.3V \pm 5\%$, $V_{EE} = 0V$, $T_A = -40^\circ C$ to $85^\circ C$

Symbol	Parameter	Test Conditions	Minimum	Typical	Maximum	Units
V_{OH}	Output High Voltage ¹		$V_{CC} - 1.1$		$V_{CC} - 0.7$	V
V_{OL}	Output Low Voltage; NOTE 1		$V_{CC} - 1.8$		$V_{CC} - 1.4$	V
V_{OUT}	Output Voltage Swing		0.5		1	V
V_{DIFF_OUT}	Differential Output Voltage Swing		1		2	V

NOTE 1. Outputs terminated with 50Ω to $V_{CC} - 2V$.

Table 4F. LVPECL DC Characteristics, $V_{CC} = 2.5V \pm 5\%$, $V_{EE} = 0V$, $T_A = -40^\circ C$ to $85^\circ C$

Symbol	Parameter	Test Conditions	Minimum	Typical	Maximum	Units
V_{OH}	Output High Voltage ¹		$V_{CC} - 1.1$		$V_{CC} - 0.7$	V
V_{OL}	Output Low Voltage ¹		$V_{CC} - 1.8$		$V_{CC} - 1.4$	V
V_{OUT}	Output Voltage Swing		0.5		1.0	V
V_{DIFF_OUT}	Differential Output Voltage Swing		1		2	V

NOTE 1. Outputs terminated with 50Ω to $V_{CC} - 2V$.

AC Electrical Characteristics

Table 5. AC Characteristics, $V_{CC} = 3.3V \pm 5\%$ or $2.5V \pm 5\%$, $V_{EE} = 0V$, $T_A = -40^\circ C$ to $85^\circ C$ ¹

Symbol	Parameter	Test Conditions	Minimum	Typical	Maximum	Units
f_{OUT}	Output Frequency	$N = \div 1$			2500	MHz
		$N = \div 2$			1250	MHz
		$N = \div 4$			625	MHz
		$N = \div 8$			312.5	MHz
f_{IN}	Input Frequency				2500	MHz
V_{CMR}	Common Mode Input Voltage ²	I_N, nI_N	1.0		$V_{CC} - V_{PP}/2$	V
V_{PP}	Input Voltage Swing		0.15		1.3	V
V_{DIFF_IN}	Differential Input Voltage Swing		0.3		2.6	V
$tsk(o)$	Output Skew ^{3, 4}			22	50	ps
$tsk(pp)$	Part-to-Part Skew ^{3, 5}				200	ps
	Noise Floor ⁶	100kHz Offset, $f_{OUT} = 1228.8MHz$		-146		dBc/Hz
$f_{jit}(\theta)$	Buffer Additive Phase Jitter	$f_{REF} = f_{OUT} = 156.25MHz$, Integration Range: 12kHz to 20MHz		42	60	fs
	Output Isolation	$f_{OUT} = 1228.8MHz$		90		dBc
		$f_{OUT} = 614.4MHz$		90		dBc
		$f_{OUT} = 307.2MHz$		90		dBc
		$f_{OUT} = 153.6MHz$		95		dBc
odc	Output Duty Cycle	50% Input Duty Cycle	44	50	56	%
t_R / t_F	Output Rise/Fall Time	20% to 80%			200	ps
t_{PD}	Propagation Delay		200		550	ps

NOTE 1. Electrical parameters are guaranteed over the specified ambient operating temperature range, which is established when the device is mounted in a test socket with maintained transverse airflow greater than 500 lfm. The device will meet specifications after thermal equilibrium has been reached under these conditions.

NOTE 2. Common mode input voltage is defined as the signal cross point.

NOTE 3. This parameter is defined in accordance with JEDEC Standard 65.

NOTE 4. Defined as skew between outputs at the same supply voltage and with equal load conditions. Measured at the output differential cross points.

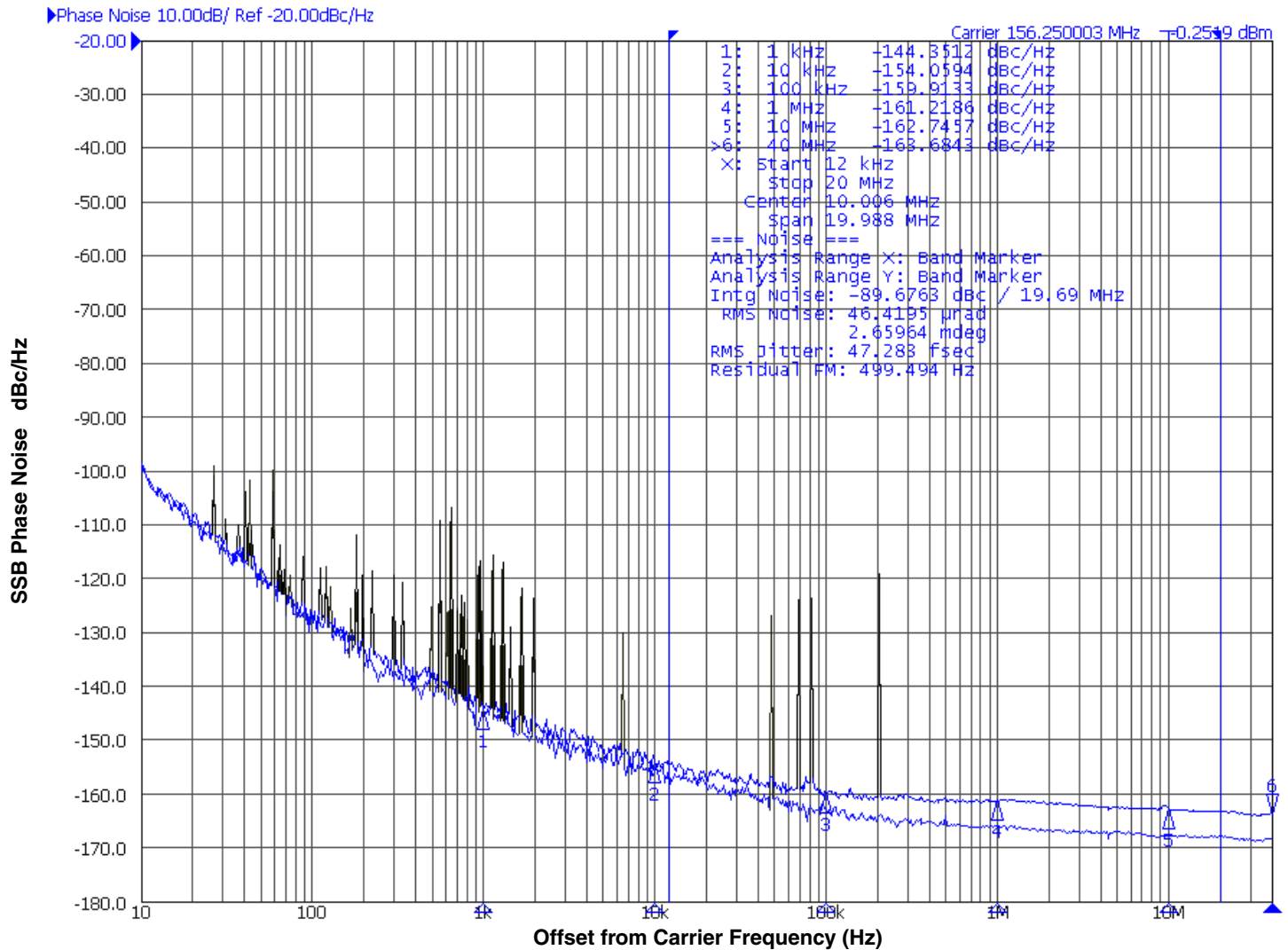
NOTE 5. Defined as skew between outputs on different devices operating at the same supply voltage, same temperature, same frequency and with equal load conditions. Using the same type of inputs on each device, the outputs are measured at the differential cross points.

NOTE 6. The phase noise at 100kHz offset of the applied input clock is -146 dBc/Hz.

Additive Phase Jitter

The spectral purity in a band at a specific offset from the fundamental compared to the power of the fundamental is called the **dBc Phase Noise**. This value is normally expressed using a Phase noise plot and is most often the specified plot in many applications. Phase noise is defined as the ratio of the noise power present in a 1Hz band at a specified offset from the fundamental frequency to the power value of the fundamental. This ratio is expressed in decibels (dBm) or a ratio

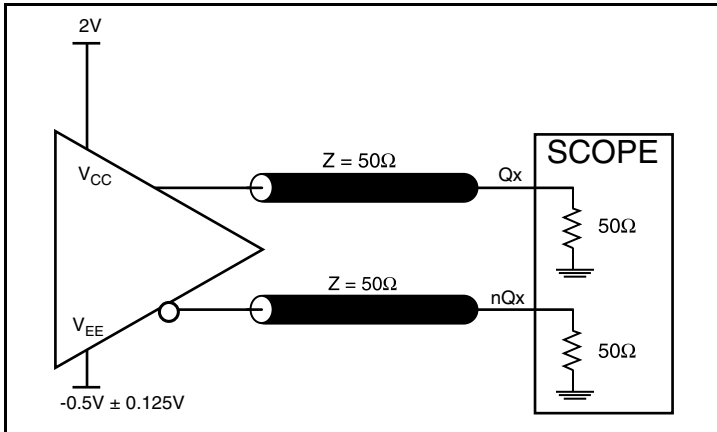
of the power in the 1Hz band to the power in the fundamental. When the required offset is specified, the phase noise is called a **dBc** value, which simply means dBm at a specified offset from the fundamental. By investigating jitter in the frequency domain, we get a better understanding of its effects on the desired application over the entire time record of the signal. It is mathematically possible to calculate an expected bit error rate given a phase noise plot.



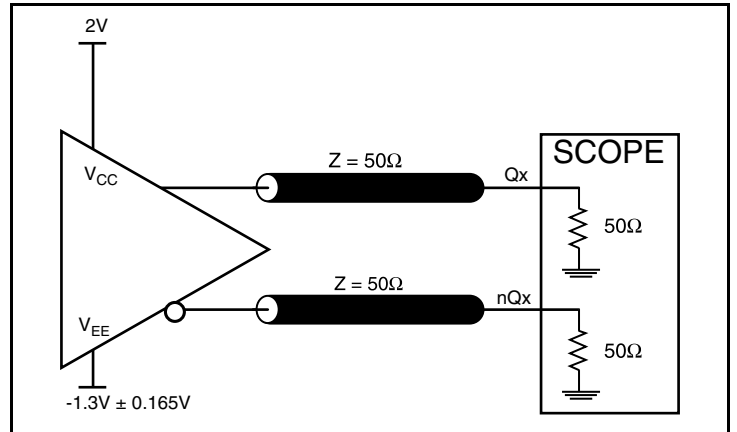
As with most timing specifications, phase noise measurements have issues relating to the limitations of the measurement equipment. The noise floor of the equipment can be higher or lower than the noise floor of the device. Additive phase noise is dependent on both the noise floor of the input source and measurement equipment.

The additive phase jitter for this device was measured using a 156.25 MHz Wenzel oscillator as input clock source and an Agilent E5052 Phase noise analyzer.

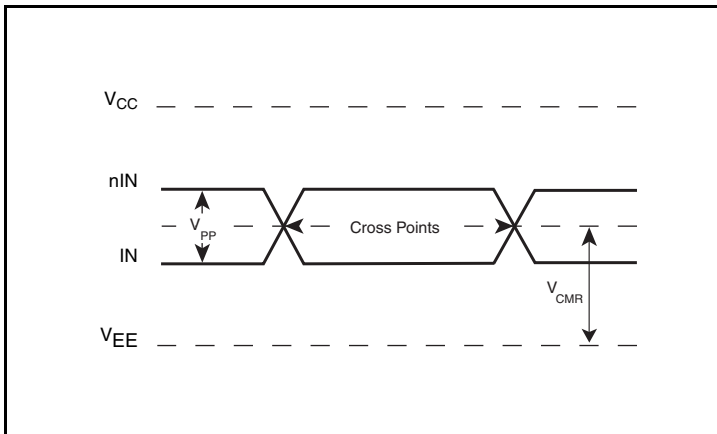
Parameter Measurement Information



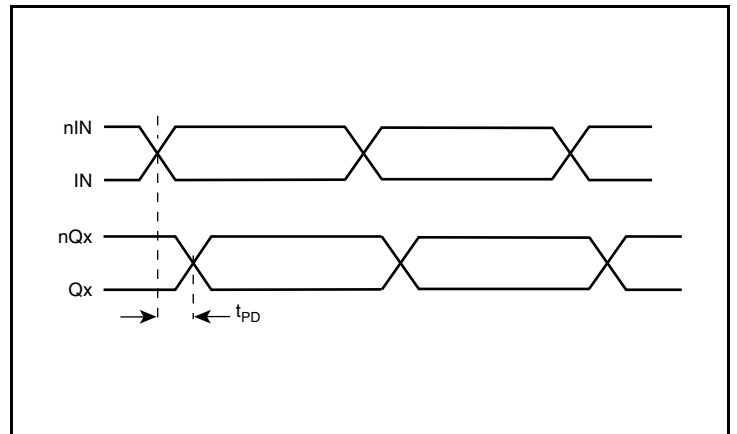
2.5V Output Load AC Test Circuit



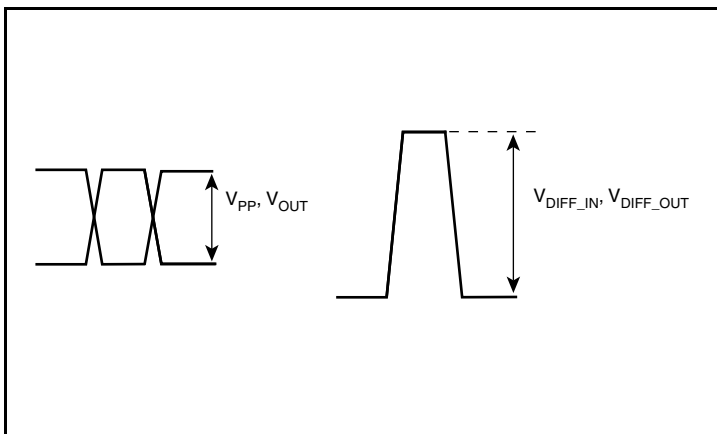
3.3V Output Load AC Test Circuit



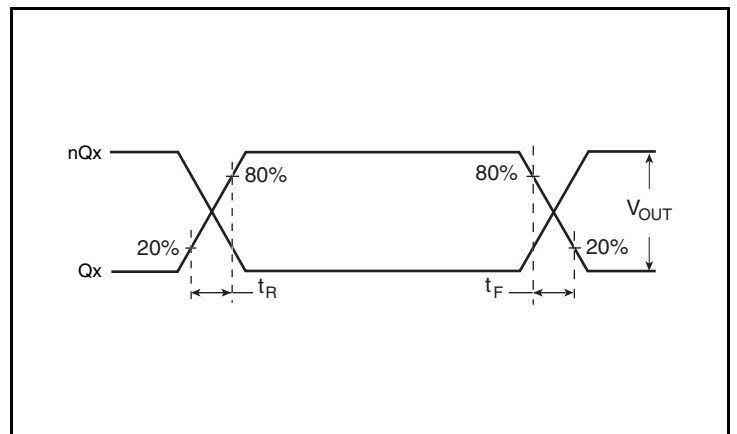
Input Levels



Propagation Delay

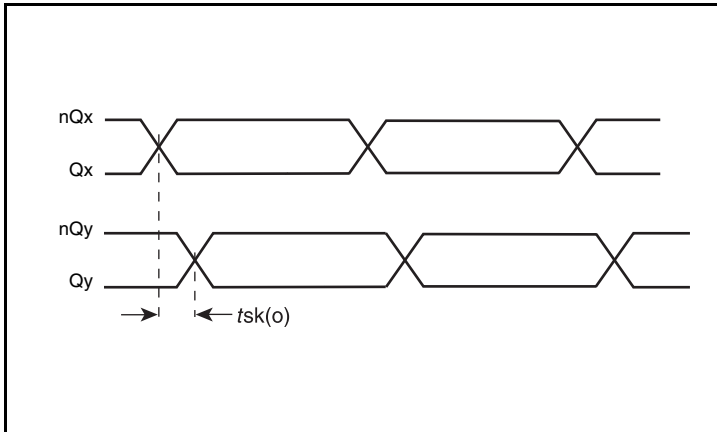


Single-Ended & Differential Input Swing

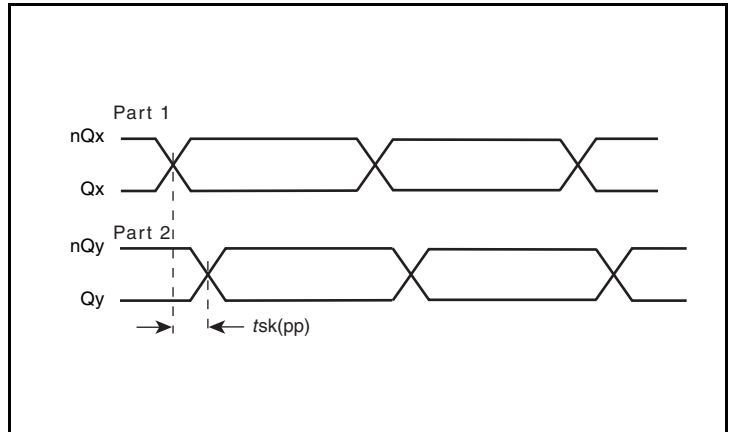


Output Rise/Fall Time

Parameter Measurement Information, continued



Output Skew



Part-to-Part Skew

Applications Information

Recommendations for Unused Input and Output Pins

Inputs:

LVCMOS Select Pins

All control pins have internal pulldowns; additional resistance is not required but can be added for additional protection. A 1k Ω resistor can be used.

Outputs:

LVPECL Outputs

All unused LVPECL outputs can be left floating. We recommend that there is no trace attached. Both sides of the differential output pair should either be left floating or terminated.

2.5V LVPECL Input with Built-In 50 Ω Termination Interface

The IN/nIN with built-in 50 Ω terminations accept LVDS, LVPECL, CML and other differential signals. Both V_{OH} and V_{OL} must meet the V_{IN} and V_{IH} input requirements. *Figures 1A to 1D* show interface examples for the IN/nIN with built-in 50 Ω termination input driven by

the most common driver types. The input interfaces suggested here are examples only. If the driver is from another vendor, use their termination recommendation. Please consult with the vendor of the driver component to confirm the driver termination requirements.

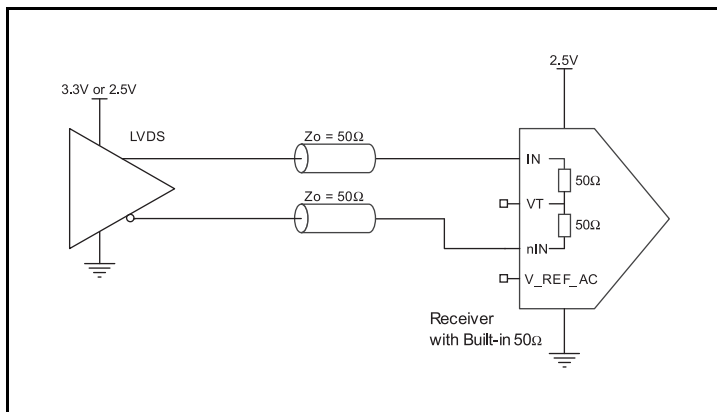


Figure 1A. IN/nIN Input with Built-In 50 Ω Driven by an LVDS Driver

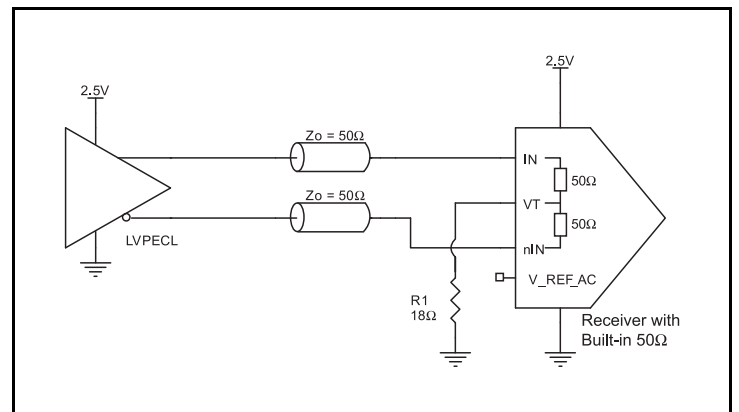


Figure 1B. IN/nIN Input with Built-In 50 Ω Driven by an LVPECL Driver

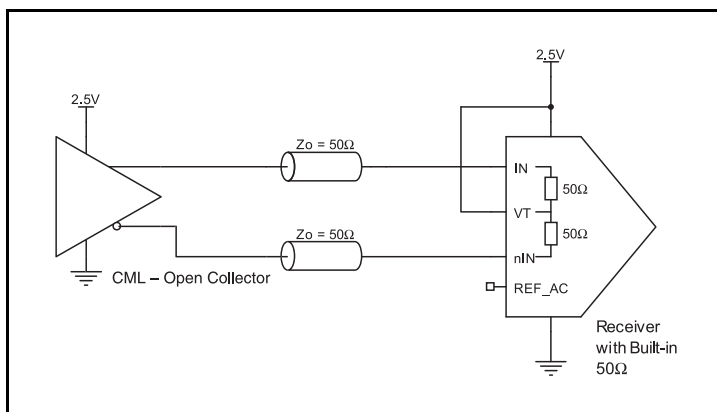


Figure 1C. IN/nIN Input with Built-In 50 Ω Driven by a CML Driver

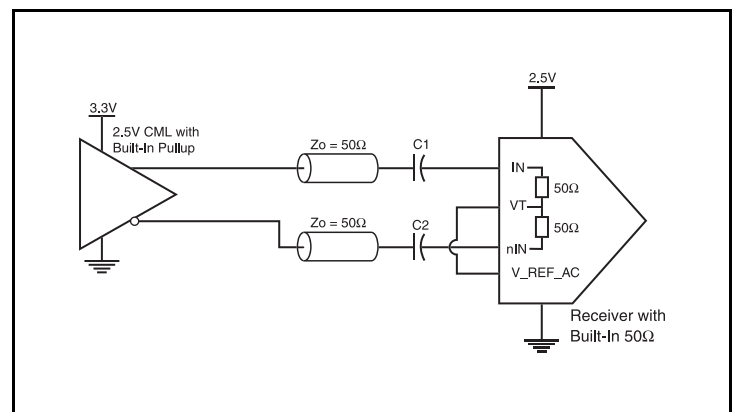


Figure 1D. IN/nIN Input with Built-In 50 Ω Driven by a CML Driver with Built-In 50 Ω Pullup

3.3V LVPECL Input with Built-In 50Ω Termination Interface

The IN/nIN with built-in 50Ω terminations accept LVDS, LVPECL, CML and other differential signals. Both V_{OH} and V_{OL} must meet the V_{IN} and V_{IH} input requirements. Figures 2A to 2D show interface examples for the IN/nIN input with built-in 50Ω terminations driven by

the most common driver types. The input interfaces suggested here are examples only. If the driver is from another vendor, use their termination recommendation. Please consult with the vendor of the driver component to confirm the driver termination requirements.

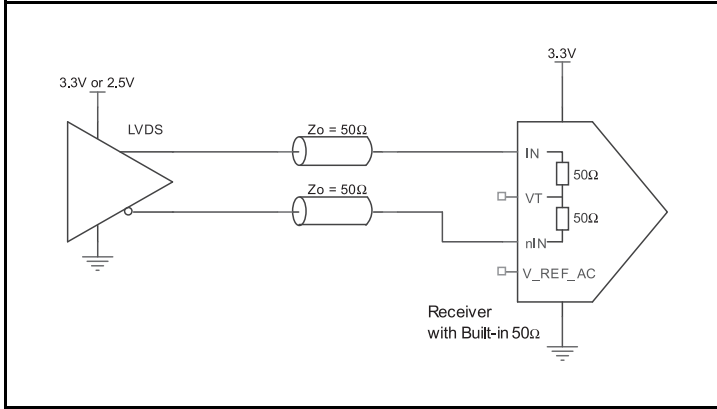


Figure 2A. IN/nIN Input with Built-In 50Ω Driven by an LVDS Driver

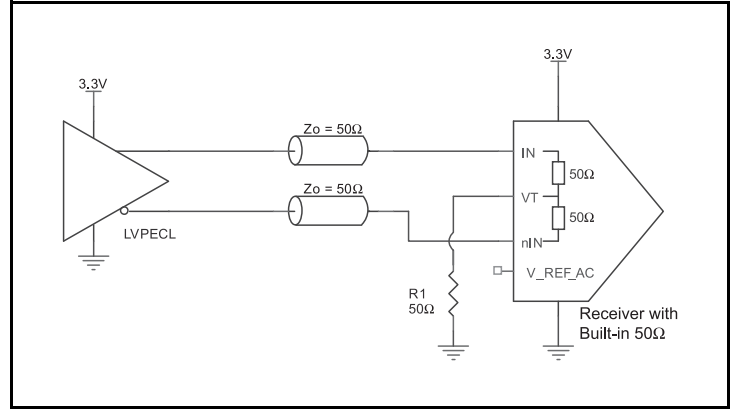


Figure 2B. IN/nIN Input with Built-In 50Ω Driven by an LVPECL Driver

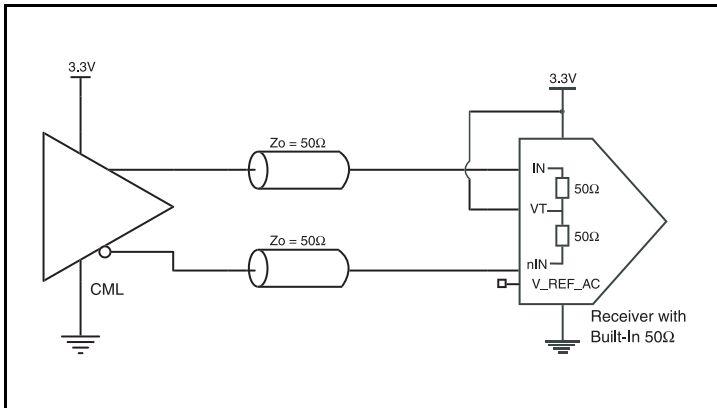


Figure 2C. IN/nIN Input with Built-In 50Ω Driven by a CML Driver with Open Collector

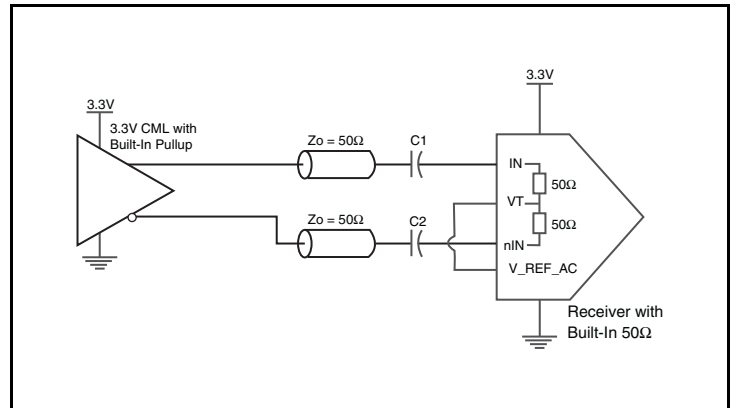


Figure 2D. IN/nIN Input with Built-In 50Ω Driven by a CML Driver with Built-In 50Ω Pullup

Termination for 2.5V LVPECL Outputs

Figure 3A and Figure 3B show examples of termination for 2.5V LVPECL driver. These terminations are equivalent to terminating 50Ω to $V_{CC} - 2V$. For $V_{CC} = 2.5V$, the $V_{CC} - 2V$ is very close to ground

level. The R3 in Figure 3B can be eliminated and the termination is shown in Figure 3C.

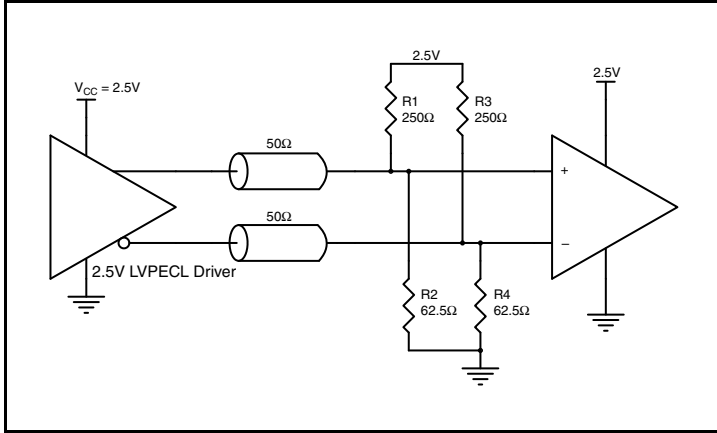


Figure 3A. 2.5V LVPECL Driver Termination Example

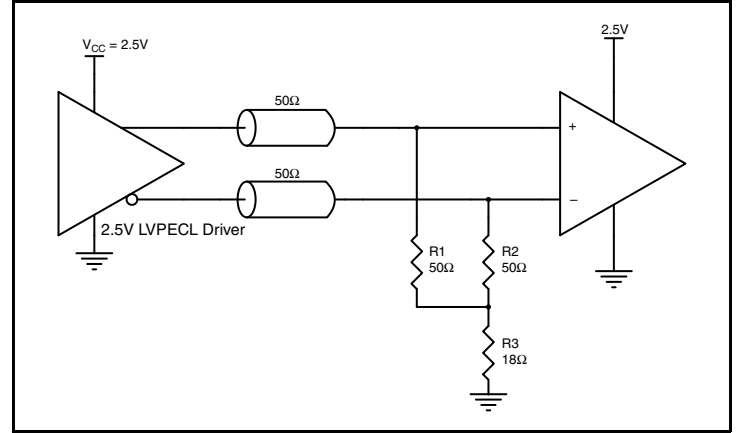


Figure 3B. 2.5V LVPECL Driver Termination Example

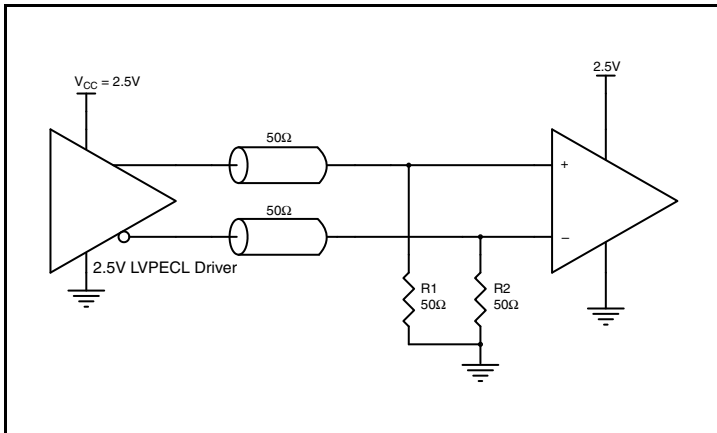


Figure 3C. 2.5V LVPECL Driver Termination Example

Termination for 3.3V LVPECL Outputs

The clock layout topology shown below is a typical termination for LVPECL outputs. The two different layouts mentioned are recommended only as guidelines.

The differential output is a low impedance follower output that generate ECL/LVPECL compatible outputs. Therefore, terminating resistors (DC current path to ground) or current sources must be used for functionality. These outputs are designed to drive 50Ω

transmission lines. Matched impedance techniques should be used to maximize operating frequency and minimize signal distortion.

Figures 4A and 4B show two different layouts which are recommended only as guidelines. Other suitable clock layouts may exist and it would be recommended that the board designers simulate to guarantee compatibility across all printed circuit and clock component process variations.

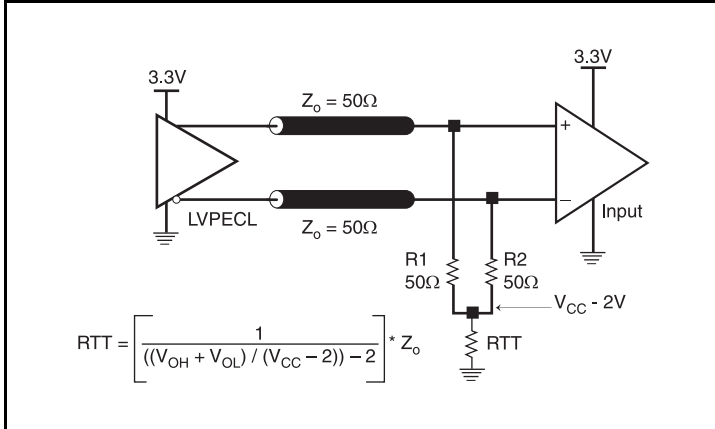


Figure 4A. 3.3V LVPECL Output Termination

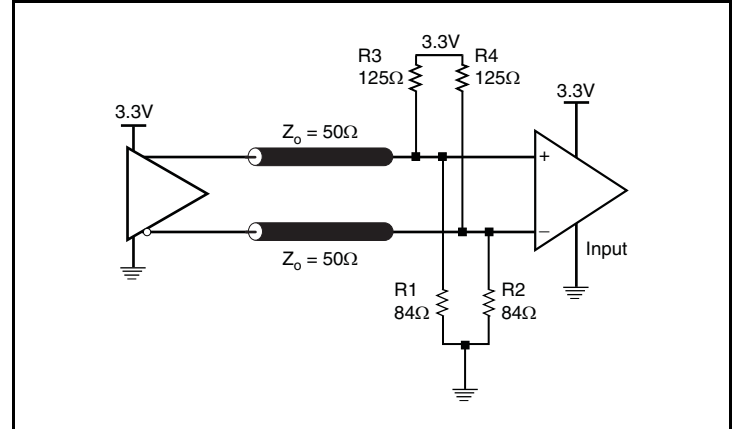


Figure 4B. 3.3V LVPECL Output Termination

VFQFN EPAD Thermal Release Path

In order to maximize both the removal of heat from the package and the electrical performance, a land pattern must be incorporated on the Printed Circuit Board (PCB) within the footprint of the package corresponding to the exposed metal pad or exposed heat slug on the package, as shown in *Figure 5*. The solderable area on the PCB, as defined by the solder mask, should be at least the same size/shape as the exposed pad/slug area on the package to maximize the thermal/electrical performance. Sufficient clearance should be designed on the PCB between the outer edges of the land pattern and the inner edges of pad pattern for the leads to avoid any shorts.

While the land pattern on the PCB provides a means of heat transfer and electrical grounding from the package to the board through a solder joint, thermal vias are necessary to effectively conduct from the surface of the PCB to the ground plane(s). The land pattern must be connected to ground through these vias. The vias act as “heat pipes”. The number of vias (i.e. “heat pipes”) are application specific

and dependent upon the package power dissipation as well as electrical conductivity requirements. Thus, thermal and electrical analysis and/or testing are recommended to determine the minimum number needed. Maximum thermal and electrical performance is achieved when an array of vias is incorporated in the land pattern. It is recommended to use as many vias connected to ground as possible. It is also recommended that the via diameter should be 12 to 13mils (0.30 to 0.33mm) with 1oz copper via barrel plating. This is desirable to avoid any solder wicking inside the via during the soldering process which may result in voids in solder between the exposed pad/slug and the thermal land. Precautions should be taken to eliminate any solder voids between the exposed heat slug and the land pattern. Note: These recommendations are to be used as a guideline only. For further information, please refer to the Application Note on the Surface Mount Assembly of Amkor’s Thermally/Electrically Enhance Leadframe Base Package, Amkor Technology.

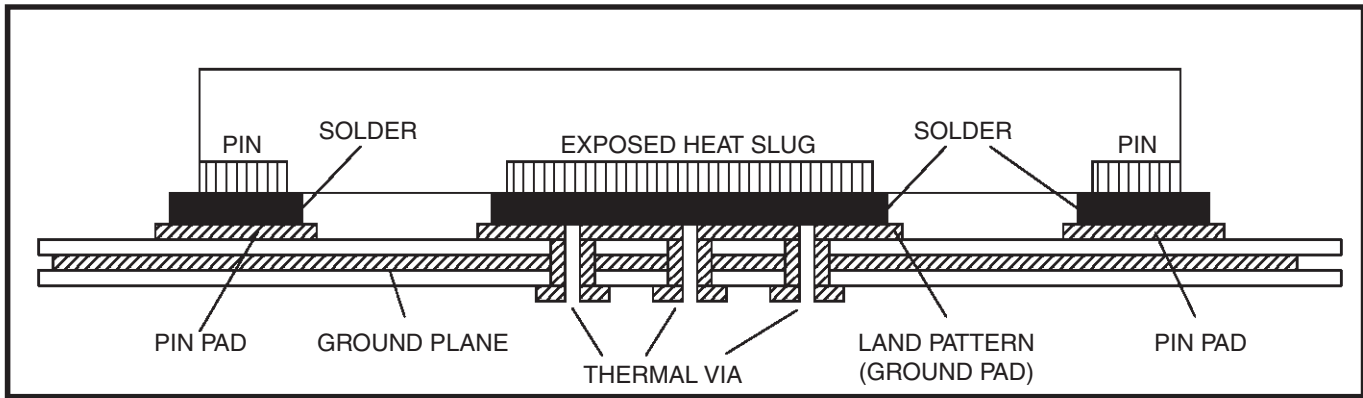


Figure 5. P.C. Assembly for Exposed Pad Thermal Release Path – Side View (drawing not to scale)

Power Considerations

1. Power Dissipation

The total power dissipation for the 8V79S674 is the sum of the core power plus the analog power plus the power dissipated in the load(s). The following is the power dissipation for $V_{DD} = 3.3V + 5\% = 3.465V$, which gives worst case results.

Core

- The maximum current at 85°C, $I_{max} = 90mA$
- $Power(core) = V_{CC_MAX} * (I_{EE}) = 3.465V * 90mA = 311.9mW$

LVPECL Output

LVPECL driver power dissipation is 35mW/Loaded output pair, total LVPECL output dissipation:

- $Power (outputs)_{MAX} = 35mW/Loaded Output pair$
If all outputs are loaded, the total power is $4 * 35mW = 140mW$

Total Power Dissipation

- **Total Power**
= Power (core) + Power(LVPECL)
= 311.9mW + 140mW
= **451.9mW**

2. Junction Temperature.

Junction temperature, T_j , is the temperature at the junction of the bond wire and bond pad directly affects the reliability of the device. The maximum recommended junction temperature is 125°C. Limiting the internal transistor junction temperature, T_j , to 125°C ensures that the bond wire and bond pad temperature remains below 125°C.

The equation for T_j is as follows: $T_j = \theta_{JA} * Pd_total + T_A$

T_j = Junction Temperature

θ_{JA} = Junction-to-Ambient Thermal Resistance

Pd_total = Total Device Power Dissipation (example calculation is in section 1 above)

T_A = Ambient Temperature

In order to calculate junction temperature, the appropriate junction-to-ambient thermal resistance θ_{JA} must be used. Assuming no air flow and a multi-layer board, the appropriate value is 70.7°C/W per Table 6 below.

Therefore, T_j for an ambient temperature of 85°C with all outputs switching is:

$$85^\circ C + 0.452W * 70.7^\circ C/W = 117^\circ C. \text{ This is below the limit of } 125^\circ C.$$

This calculation is only an example. T_j will obviously vary depending on the number of loaded outputs, supply voltage, air flow and the type of board (multi-layer).

Table 6. Thermal Resistance θ_{JA} for for a 20-Lead VFQFN

θ_{JA} vs. Air Flow			
Meters per Second	0	1	2
Multi-Layer PCB, JEDEC Standard Test Boards	70.7°C/W	67.0°C/W	65.3°C/W

3. Calculations and Equations.

The purpose of this section is to calculate the power dissipation for the LVPECL output pairs.

LVPECL output driver circuit and termination are shown in *Figure 7*.

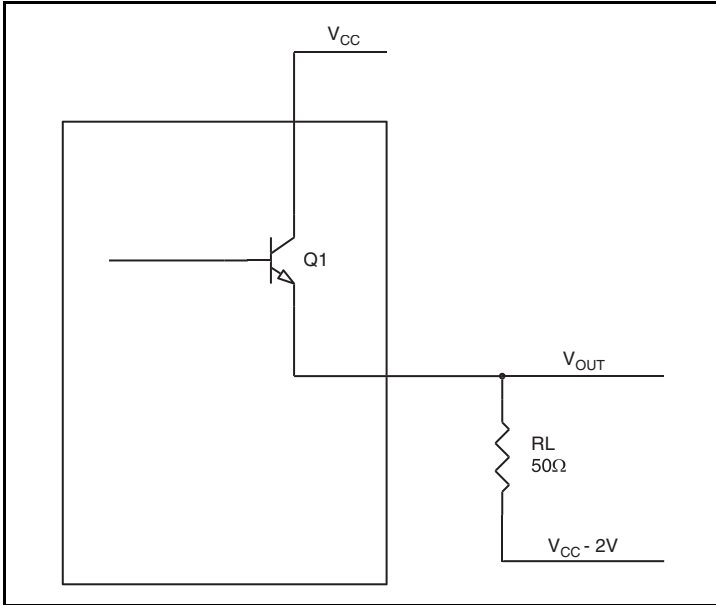


Figure 7. LVPECL Driver Circuit and Termination

To calculate worst case power dissipation into the load, use the following equations which assume a 50Ω load, and a termination voltage of V_{CC} - 2V.

- For logic high, V_{OUT} = V_{OH_MAX} = V_{CC_MAX} - 0.7V
(V_{CC_MAX} - V_{OH_MAX}) = 0.7V
- For logic low, V_{OUT} = V_{OL_MAX} = V_{CC_MAX} - 1.4V
(V_{CC_MAX} - V_{OL_MAX}) = 1.4V

Pd_H is power dissipation when the output drives high.

Pd_L is the power dissipation when the output drives low.

$$\begin{aligned} Pd_H &= [(V_{OH_MAX} - (V_{CC_MAX} - 2V))/R_L] * (V_{CC_MAX} - V_{OH_MAX}) \\ &= [(2V - (V_{CC_MAX} - V_{OH_MAX}))/R_L] * (V_{CC_MAX} - V_{OH_MAX}) \\ &= [(2V - 0.7V)/50\Omega] * 0.7V = \mathbf{18.2mW} \end{aligned}$$

$$\begin{aligned} Pd_L &= [(V_{OL_MAX} - (V_{CC_MAX} - 2V))/R_L] * (V_{CC_MAX} - V_{OL_MAX}) \\ &= [(2V - (V_{CC_MAX} - V_{OL_MAX}))/R_L] * (V_{CC_MAX} - V_{OL_MAX}) \\ &= [(2V - 1.4V)/50\Omega] * 1.4V = \mathbf{16.8mW} \end{aligned}$$

$$\text{Total Power Dissipation per output pair} = Pd_H + Pd_L = \mathbf{35mW}$$

Reliability Information

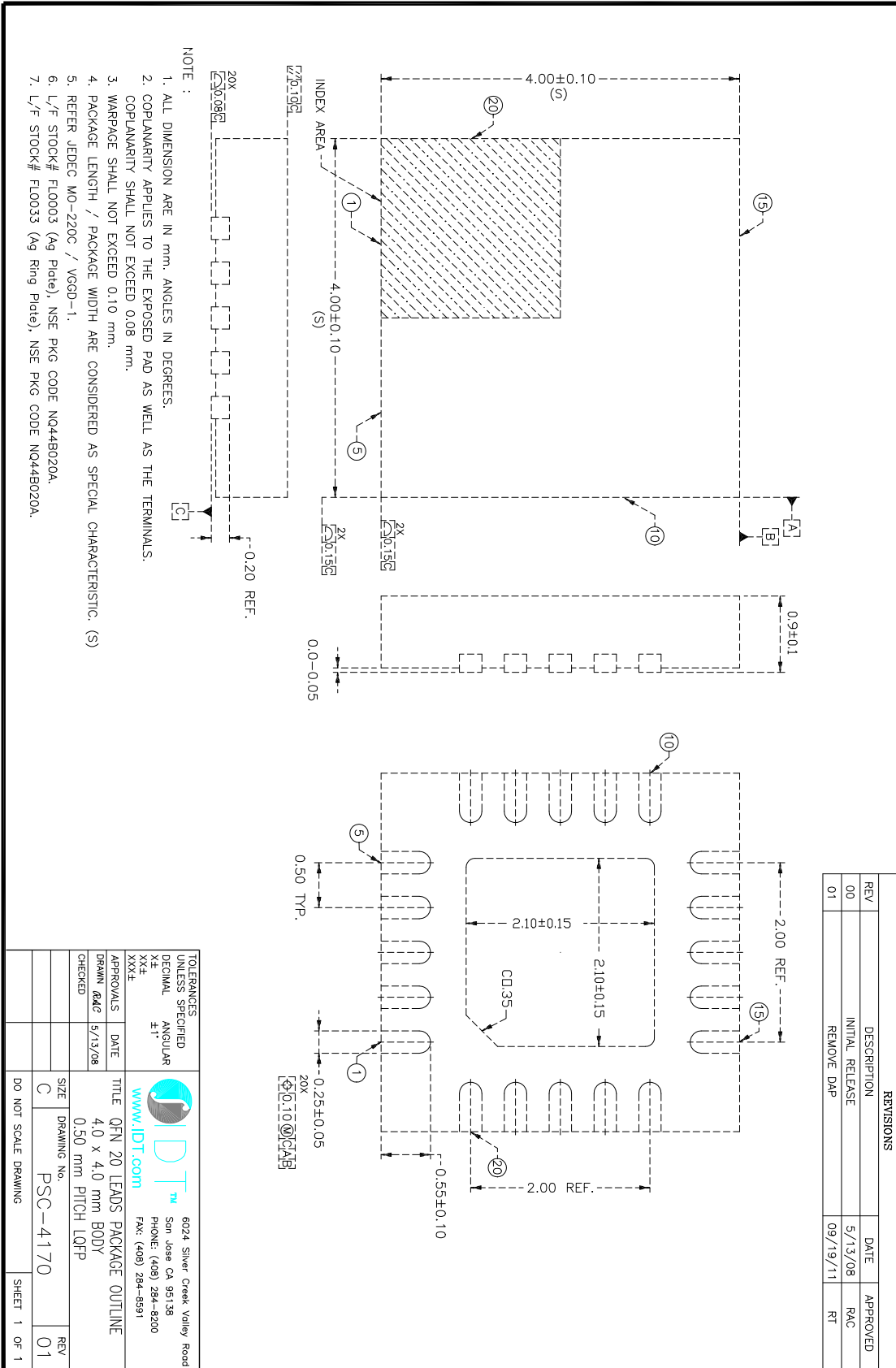
Table 7. θ_{JA} vs. Air Flow Table for a 20-Lead VFQFN

θ_{JA} vs. Air Flow			
Meters per Second	0	1	2
Multi-Layer PCB, JEDEC Standard Test Boards	70.7°C/W	67.0°C/W	65.3°C/W

Transistor Count

The transistor count for 8V79S674: 1255

20-Lead VFQFN Package Outline and Package Dimensions



REVISIONS			
REV	DESCRIPTION	DATE	APPROVED
00	INITIAL RELEASE	5/13/08	RAC
01	REMOVE DAP	09/19/11	RT

TOLERANCES UNLESS SPECIFIED		 6024 Silver Creek Valley Road San Jose CA 95138 PHONE: (408) 284-8200 FAX: (408) 284-9891
DECIMAL	ANGULAR	
XX	±1	
XXX		
XXXX		
APPROVALS	DATE	TITLE
DRAWN R44G	5/13/08	QFN 20 LEADS PACKAGE OUTLINE
CHECKED		4.0 x 4.0 mm BODY
		0.50 mm PITCH LQFP
SIZE	DRAWING No.	REV
C	PSC-4170	01
DO NOT SCALE DRAWING		SHEET 1 OF 1

Ordering Information

Table 8. Ordering Information

Part/Order Number	Marking	Package	Shipping Packaging	Temperature
8V79S674NLGI	8V79S674NLGI	“Lead-Free” 20-Lead VFQFN	Tray	-40°C to 85°C
8V79S674NLGI8	8V79S674NLGI	“Lead-Free” 20-Lead VFQFN	Tape & Reel	-40°C to 85°C

NOTE: Parts that are ordered with an “G” suffix to the part number are the Pb-Free configuration and are RoHS compliant.

Revision History Sheet

Rev	Table	Page	Description of Change	Date
2	T5	6	AC Characteristics Table - corrected frequencies for F_{OUT} $N \div 2$, $N \div 4$, $N \div 8$. f_{IN} changed from 2.5GHz to 2500MHz.	4/10/15

IMPORTANT NOTICE AND DISCLAIMER

RENESAS ELECTRONICS CORPORATION AND ITS SUBSIDIARIES (“RENESAS”) PROVIDES TECHNICAL SPECIFICATIONS AND RELIABILITY DATA (INCLUDING DATASHEETS), DESIGN RESOURCES (INCLUDING REFERENCE DESIGNS), APPLICATION OR OTHER DESIGN ADVICE, WEB TOOLS, SAFETY INFORMATION, AND OTHER RESOURCES “AS IS” AND WITH ALL FAULTS, AND DISCLAIMS ALL WARRANTIES, EXPRESS OR IMPLIED, INCLUDING, WITHOUT LIMITATION, ANY IMPLIED WARRANTIES OF MERCHANTABILITY, FITNESS FOR A PARTICULAR PURPOSE, OR NON-INFRINGEMENT OF THIRD PARTY INTELLECTUAL PROPERTY RIGHTS.

These resources are intended for developers skilled in the art designing with Renesas products. You are solely responsible for (1) selecting the appropriate products for your application, (2) designing, validating, and testing your application, and (3) ensuring your application meets applicable standards, and any other safety, security, or other requirements. These resources are subject to change without notice. Renesas grants you permission to use these resources only for development of an application that uses Renesas products. Other reproduction or use of these resources is strictly prohibited. No license is granted to any other Renesas intellectual property or to any third party intellectual property. Renesas disclaims responsibility for, and you will fully indemnify Renesas and its representatives against, any claims, damages, costs, losses, or liabilities arising out of your use of these resources. Renesas' products are provided only subject to Renesas' Terms and Conditions of Sale or other applicable terms agreed to in writing. No use of any Renesas resources expands or otherwise alters any applicable warranties or warranty disclaimers for these products.

(Rev.1.0 Mar 2020)

Corporate Headquarters

TOYOSU FORESIA, 3-2-24 Toyosu,
Koto-ku, Tokyo 135-0061, Japan
www.renesas.com

Contact Information

For further information on a product, technology, the most up-to-date version of a document, or your nearest sales office, please visit:
www.renesas.com/contact/

Trademarks

Renesas and the Renesas logo are trademarks of Renesas Electronics Corporation. All trademarks and registered trademarks are the property of their respective owners.