

## General Description

The IDT8R9306I 2.5V differential clock buffer is a user-selectable differential input to six LVDS outputs. The fanout from a differential input to six LVDS outputs reduces loading on the preceding driver and provides an efficient clock distribution network. The IDT8R9306I can act as a translator from a differential HSTL, eHSTL, LVPECL (2.5V), LVPECL (3.3V), CML, or LVDS input to LVDS outputs. A single-ended 3.3V, 2.5V LVTTTL input can also be used to translate to LVDS outputs. The redundant input capability allows for an asynchronous change-over from a primary clock source to a secondary clock source. Selectable reference inputs are controlled by SEL.

The IDT8R9306I outputs can be asynchronously enabled/disabled. When disabled, the outputs will drive to the value selected by the GL pin. Multiple power and grounds reduce noise.

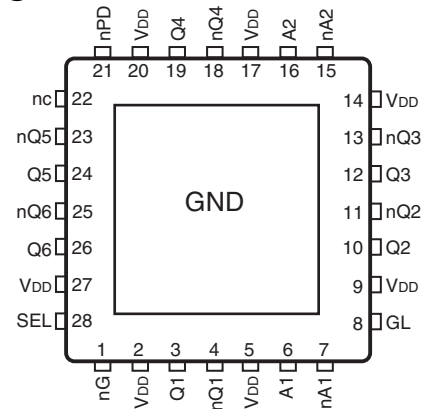
## Applications

- Clock distribution

## Features

- Guaranteed low skew: 40ps (maximum)
- Very low duty cycle distortion: <125ps (maximum)
- High speed propagation delay: <1.75ns (maximum)
- Up to 1GHz operation
- Selectable inputs
- Hot insertable and over-voltage tolerant inputs
- 3.3V/2.5V LVTTTL, HSTL eHSTL, LVPECL (2.5V), LVPECL (3.3V), CML or LVDS input interface
- Selectable differential inputs to six LVDS outputs
- Power-down mode
- 2.5V  $V_{DD}$
- -40°C to 85°C ambient operating temperature
- Available in VFQFPN package

## Pin Assignment



### IDT8R9306I

28-Lead VFQFPN

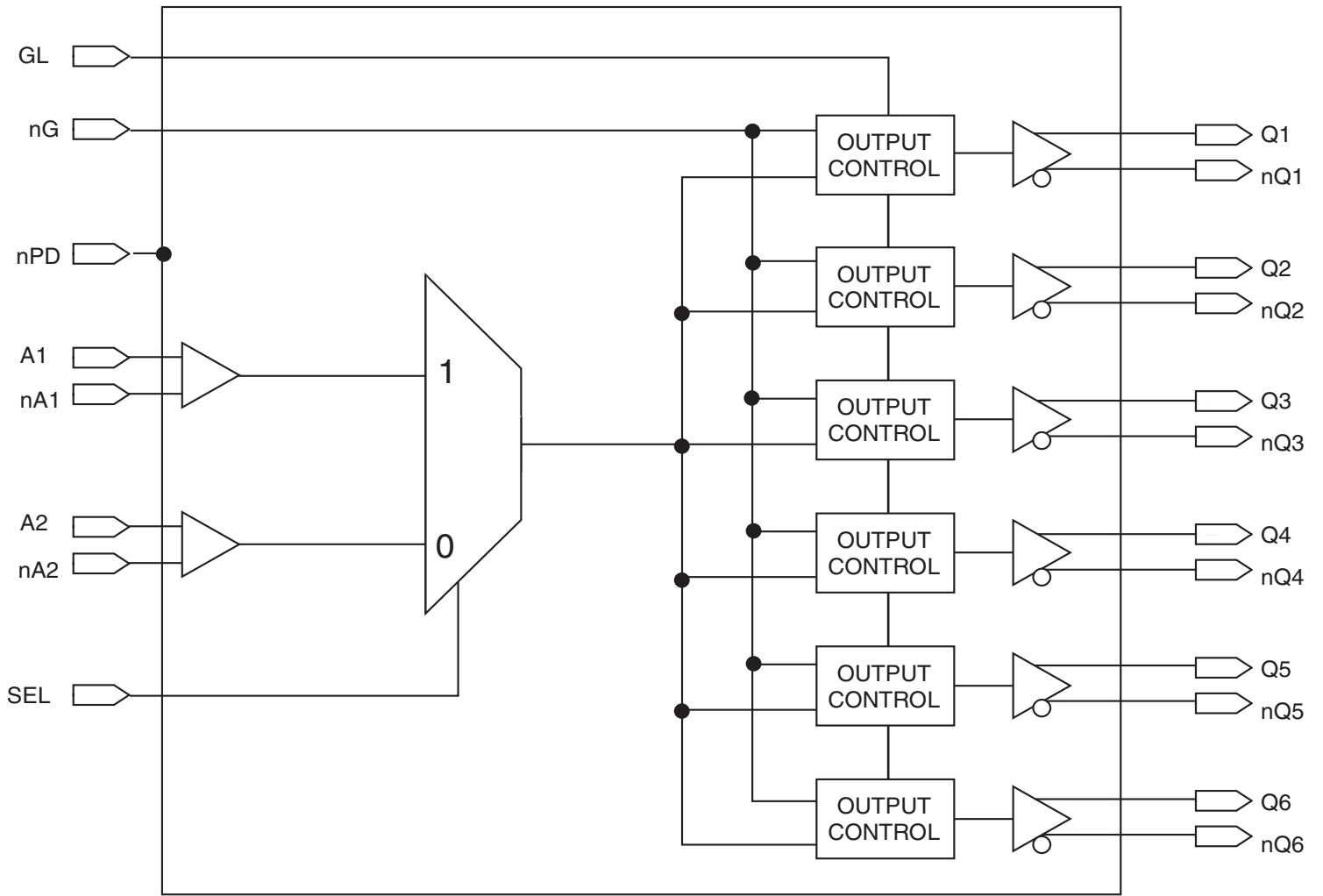
6mm x 6mm x 0.9mm package body

EPad 4.8mm x 4.8mm

NL Package

Top View

**Block Diagram**



## Pin Descriptions and Characteristics

**Table 1. Pin Descriptions**

Name	Type		Description
A[1:2]	Input	Adjustable <sup>(1, 4)</sup>	Clock input. A[1:2] is the "true" side of the differential clock input.
nA[1:2]	Input	Adjustable <sup>(1, 4)</sup>	Complementary clock inputs. nA[1:2] is the complementary side of A[1:2]. For LVTTTL single-ended operation, nA[1:2] should be set to the desired toggle voltage for A[1:2]: 3.3V LVTTTL VREF = 1650mV 2.5V LVTTTL VREF = 1250mV
nG	Input	LVTTTL	Gate control for differential outputs Q[1:6] and nQ[1:6]. When nG is LOW, the differential outputs are active. When nG is HIGH, the differential outputs are asynchronously driven to the level designated by GL <sup>(2)</sup> . See Table 3A.
GL	Input	LVTTTL	Specifies output disable level. If HIGH, "true" outputs disable HIGH and "complementary" outputs disable LOW. If LOW, "true" outputs disable LOW and "complementary" outputs disable HIGH. See Table 3A.
Q[1:6]	Output	LVDS	Clock outputs.
nQ[1:6]	Output	LVDS	Complementary clock outputs.
SEL	Input	LVTTTL	Reference clock select. When LOW, selects A2 and nA2. When HIGH, selects A1 and nA1. See Table 3B.
nPD	Input	LVTTTL	Power-down control. Shuts off entire chip. If LOW, the device goes into low power mode. Inputs and outputs are disabled. Both "true" and "complementary" outputs will pull to VDD. Set HIGH for normal operation. <sup>(3)</sup>
V <sub>DD</sub>		Power	Power supply for the device core and inputs.
GND		Power	Power supply return for all power.
nc			No connect; recommended to connect to GND.

**NOTES:**

- Inputs are capable of translating the following interface standards:  
Single-ended 3.3V and 2.5V LVTTTL levels  
Differential HSTL and eHSTL levels  
Differential LVPECL (2.5V) and LVPECL (3.3V) levels  
Differential LVDS levels  
Differential CML levels
- Because the gate controls are asynchronous, runt pulses are possible. It is the user's responsibility to either time the gate control signals to minimize the possibility of runt pulses or be able to tolerate them in down stream circuitry.
- It is recommended that the outputs be disabled before entering power-down mode. It is also recommended that the outputs remain disabled until the device completes power-up after asserting nPD.
- The user must take precautions with any differential input interface standard being used in order to prevent instability when there is no input signal.

**Table 2. Pin Characteristics, T<sub>A</sub> = +25°C, F = 1.0MHz)**

Symbol	Parameter	Test Conditions	Minimum	Typical	Maximum	Units
C <sub>IN</sub>	Input Capacitance				3	pF

NOTE: This parameter is measured at characterization but not tested.

## Function Tables

**Table 3A. Gate Control Output Table**

Control Output		Outputs	
GL	nG	Q[1:6]	nQ[1:6]
0	0	Toggling	Toggling
0	1	LOW	HIGH
1	0	Toggling	Toggling
1	1	HIGH	LOW

**Table 3B. Input Selection Table**

Selection SEL pin	Inputs
0	A2, nA2
1	A1, nA1

## Absolute Maximum Ratings

NOTE: Stresses beyond those listed under *Absolute Maximum Ratings* may cause permanent damage to the device. These ratings are stress specifications only. Functional operation of product at these conditions or any conditions beyond those listed in the *DC Characteristics* or *AC Characteristics* is not implied. Exposure to absolute maximum rating conditions for extended periods may affect product reliability.

Item	Rating
Power Supply Voltage, $V_{DD}$	-0.5V to +3.6V
Input Voltage, $V_I$	-0.5V to +3.6V
Output Voltage, $V_O$ Not to exceed 3.6V	-0.5 to $V_{DD} + 0.5V$
Storage Temperature, $T_{STG}$	-65°C to 150°C
Junction Temperature, $T_J$	150°C

## Recommended Operating Range

Symbol	Description	Minimum	Typical	Maximum	Units
$T_A$	Ambient Operating Temperature	-40	+25	+85	°C
$V_{DD}$	Internal Power Supply Voltage	2.3	2.5	2.7	V

## DC Electrical Characteristics

**Table 4A. LVDS Power Supply DC Characteristics<sup>(1)</sup>, T<sub>A</sub> = -40°C to 85°C**

Symbol	Parameter	Test Conditions	Minimum	Typical <sup>(2)</sup>	Maximum	Units
I <sub>DDQ</sub>	Quiescent V <sub>DD</sub> Power Supply Current	V <sub>DD</sub> = Max., All Input Clocks = LOW <sup>(2)</sup> ; Outputs enabled			240	mA
I <sub>TOT</sub>	Total Power V <sub>DD</sub> Supply Current	V <sub>DD</sub> = 2.7V; F <sub>REFERENCE</sub> Clock = 1GHz			250	mA
I <sub>PD</sub>	Total Power Down Supply Current	nPD = LOW			5	mA

NOTE 1: These power consumption characteristics are for all the valid input interfaces and cover the worst case conditions.

NOTE 2: The true input is held LOW and the complementary input is held HIGH.

**Table 4B. LVCMOS/LVTTL DC Characteristics<sup>(1)</sup>, T<sub>A</sub> = -40°C to 85°C**

Symbol	Parameter	Test Conditions	Minimum	Typical <sup>(2)</sup>	Maximum	Units
I <sub>IH</sub>	Input High Current	V <sub>DD</sub> = 2.7V			±5	μA
I <sub>IL</sub>	Input Low Current	V <sub>DD</sub> = 2.7V			±5	μA
V <sub>IK</sub>	Clamp Diode Voltage	V <sub>DD</sub> = 2.3V, I <sub>IN</sub> = -18mA		-0.7	-1.2	V
V <sub>IN</sub>	DC Input Voltage		-0.3		3.6	V
V <sub>IH</sub>	DC Input High Voltage		1.7			V
V <sub>IL</sub>	DC Input Low Voltage				0.7	V
V <sub>THI</sub>	DC Input Threshold Crossing Voltage			V <sub>DD</sub> /2		V
V <sub>REF</sub>	Single-Ended Reference Voltage <sup>(3)</sup>	3.3V LVTTTL		1.65		V
		2.5V LVTTTL		1.25		V

NOTE 1: See *Recommended Operating Range* table.

NOTE 2: Typical values are at V<sub>DD</sub> = 2.5V, +25°C ambient.

NOTE 3: For A[1:2] single-ended operation, nA[1:2] is tied to a DC reference voltage.

**Table 4C. Differential DC Characteristics<sup>(1)</sup>, T<sub>A</sub> = -40°C to 85°C**

Symbol	Parameter	Test Conditions	Minimum	Typical <sup>(2)</sup>	Maximum	Units
I <sub>IH</sub>	Input High Current	V <sub>DD</sub> = 2.7V			±5	μA
I <sub>IL</sub>	Input Low Current	V <sub>DD</sub> = 2.7V			±5	μA
V <sub>IK</sub>	Clamp Diode Voltage	V <sub>DD</sub> = 2.3V, I <sub>IN</sub> = -18mA		-0.7	-1.2	V
V <sub>IN</sub>	DC Input Voltage		-0.3		3.6	V
V <sub>DIF</sub>	DC Differential Voltage <sup>(3)</sup>		0.1			V
V <sub>CM</sub>	DC Common Mode Input Voltage		0.05		V <sub>DD</sub>	V

NOTE 1: See *Recommended Operating Range* table.

NOTE 2: Typical values are at V<sub>DD</sub> = 2.5V, +25°C ambient.

NOTE 3: V<sub>DIF</sub> specifies the minimum input differential voltage (V<sub>TR</sub> - V<sub>CP</sub>) required for switching where V<sub>TR</sub> is the "true" input level and V<sub>CP</sub> is the "complement" input level. The DC differential voltage must be maintained to guarantee retaining the existing HIGH or LOW input. The AC differential voltage must be achieved to guarantee switching to a new state.

NOTE 4: V<sub>CM</sub> specifies the maximum allowable range of (V<sub>TR</sub> + V<sub>CP</sub>) / 2.

**Table 4D. LVDS DC Characteristics<sup>(1)</sup>,  $T_A = -40^\circ\text{C}$  to  $85^\circ\text{C}$** 

Symbol	Parameter	Test Conditions	Minimum	Typical <sup>(2)</sup>	Maximum	Units
$V_{OT(+)}$	Differential Output Voltage for the True Binary State		247		454	mV
$V_{OT(-)}$	Differential Output Voltage for the False Binary State		247		454	mV
$\Delta V_{OT}$	Change in $V_{OT}$ Between Complementary Output States				50	mV
$V_{OS}$	Output Common Mode Voltage (Offset Voltage)		1.125	1.2	1.375	V
$\Delta V_{OS}$	Change in $V_{OS}$ Between Complementary Output States				50	mV
$I_{OS}$	Outputs Short Circuit Current	$V_{OUT+}$ and $V_{OUT-} = 0V$		12	24	mA
$I_{OSD}$	Differential Outputs Short Circuit Current	$V_{OUT+} = V_{OUT-}$		6	12	mA

NOTE 1: See *Recommended Operating Range* table.

NOTE 2: Typical values are at  $V_{DD} = 2.5V$ ,  $+25^\circ\text{C}$  ambient.

## AC Electrical Characteristics

**Table 5A. HSTL Differential Input AC Characteristics,  $T_A = -40^\circ\text{C}$  to  $85^\circ\text{C}$** 

Symbol	Parameter	Value	Units
$V_{DIF}$	Input Signal Swing <sup>(1)</sup>	1	V
$V_X$	Differential Input Signal Crossing Point <sup>(2)</sup>	750	mV
$D_H$	Duty Cycle	50	%
$V_{THI}$	Input Timing Measurement Reference Level <sup>(3)</sup>	Crossing Point	V
$t_R / t_F$	Input Signal Edge Rate <sup>(4)</sup>	2	V/ns

NOTE 1. The 1V peak-to-peak input pulse level is specified to allow consistent, repeatable results in an automatic test equipment (ATE) environment. This device meets the  $V_{DIF}$  (AC) specification under actual use conditions.

NOTE 2. A 750mV crossing point level is specified to allow consistent, repeatable results in an automatic test equipment (ATE) environment. This device meets the  $V_X$  specification under actual use conditions.

NOTE 3. In all cases, input waveform timing is marked at the differential cross-point of the input signals.

NOTE 4. The input signal edge rate of 2V/ns or greater is to be maintained in the 20% to 80% range of the input waveform.

**Table 5B. eHSTL AC Differential Input Characteristics,  $T_A = -40^\circ\text{C}$  to  $85^\circ\text{C}$** 

Symbol	Parameter	Value	Units
$V_{DIF}$	Input Signal Swing <sup>(1)</sup>	1	V
$V_X$	Differential Input Signal Crossing Point <sup>(2)</sup>	900	mV
$D_H$	Duty Cycle	50	%
$V_{THI}$	Input Timing Measurement Reference Level <sup>(3)</sup>	Crossing Point	V
$t_R / t_F$	Input Signal Edge Rate <sup>(4)</sup>	2	V/ns

NOTE 1: The 1V peak-to-peak input pulse level is specified to allow consistent, repeatable results in an automatic test equipment (ATE) environment. This device meets the  $V_{DIF}$  (AC) specification under actual use conditions.

NOTE 2: A 900mV crossing point level is specified to allow consistent, repeatable results in an automatic test equipment (ATE) environment. This device meets the  $V_X$  specification under actual use conditions.

NOTE 3: In all cases, input waveform timing is marked at the differential cross-point of the input signals.

NOTE 4: The input signal edge rate of 2V/ns or greater is to be maintained in the 20% to 80% range of the input waveform.

**Table 5C. LVPECL (2.5V) and LVPECL (3.3V) Differential Input AC Characteristics,  $T_A = -40^\circ\text{C}$  to  $85^\circ\text{C}$** 

Symbol	Parameter	Maximum	Units
$V_{DIF}$	Input Signal Swing <sup>(1)</sup>	732	mV
$V_X$	Differential Input Cross Point Voltage <sup>(2)</sup>	LVPECL	1082
		LVPECL	1880
$D_H$	Duty Cycle	50	%
$V_{THI}$	Input Timing Measurement Reference Level <sup>(3)</sup>	Crossing Point	V
$t_R / t_F$	Input Signal Edge Rate <sup>(4)</sup>	2	V/ns

NOTE 1: The 732mV peak-to-peak input pulse level is specified to allow consistent, repeatable results in an automatic test equipment (ATE) environment. This device meets the  $V_{DIF}$  (AC) specification under actual use conditions.

NOTE 2: A 1082mV LVPECL (2.5V) and 1880 LVPECL (3.3V) crossing point level is specified to allow consistent, repeatable results in an automatic test equipment (ATE) environment. This device meets the  $V_X$  specification under actual use conditions.

NOTE 3: In all cases, input waveform timing is marked at the differential cross-point of the input signals.

NOTE 4: The input signal edge rate of 2V/ns or greater is to be maintained in the 20% to 80% range of the input waveform.

**Table 5D. LVDS Differential Input AC Characteristics,  $T_A = -40^\circ\text{C}$  to  $85^\circ\text{C}$** 

Symbol	Parameter	Maximum	Units
$V_{DIF}$	Input Signal Swing <sup>(1)</sup>	400	mV
$V_X$	Differential Input Cross Point Voltage <sup>(2)</sup>	1.2	V
$D_H$	Duty Cycle	50	%
$V_{THI}$	Input Timing Measurement Reference Level <sup>(3)</sup>	Crossing Point	V
$t_R / t_F$	Input Signal Edge Rate <sup>(4)</sup>	2	V/ns

NOTE 1: The 400mV peak-to-peak input pulse level is specified to allow consistent, repeatable results in an automatic test equipment (ATE) environment. This device meets the  $V_{DIF}$  (AC) specification under actual use conditions.

NOTE 2: A 1.2V crossing point level is specified to allow consistent, repeatable results in an automatic test equipment (ATE) environment. This device meets the  $V_X$  specification under actual use conditions.

NOTE 3: In all cases, input waveform timing is marked at the differential cross-point of the input signals.

NOTE 4: The input signal edge rate of 2V/ns or greater is to be maintained in the 20% to 80% range of the input waveform.

**Table 5E. AC Differential Input Characteristics<sup>(1)</sup>,  $T_A = -40^{\circ}\text{C}$  to  $85^{\circ}\text{C}$** 

Symbol	Parameter	Minimum	Typical	Maximum	Units
$V_{DIF}$	AC Differential Voltage <sup>(2)</sup>	0.1		3.6	V
$V_X$	Differential Input Cross Point Voltage	0.05		$V_{DD}$	V
$V_{CM}$	Common Mode Input Voltage Range <sup>(3)</sup>	0.05		$V_{DD}$	V
$V_{IN}$	Input Voltage	-0.3		3.6	V/ns

NOTE 1: The output will not change state until the inputs have crossed and the minimum differential voltage range defined by  $V_{DIF}$  has been met or exceeded.

NOTE 2:  $V_{DIF}$  specifies the minimum input voltage ( $V_{TR} - V_{CP}$ ) required for switching where  $V_{TR}$  is the “true” input level and  $V_{CP}$  is the “complement” input level. The AC differential voltage must be achieved to guarantee switching to a new state.

NOTE 3:  $V_{CM}$  specified the maximum allowable range of  $(V_{TR} + V_{CP}) / 2$ .

**Table 5F. AC Characteristics<sup>(1,5)</sup>,  $T_A = -40^{\circ}\text{C}$  to  $85^{\circ}\text{C}$** 

Symbol	Parameter	Test Conditions	Minimum	Typical	Maximum	Units
$t_{sk(o)}$	Same Device Output Pin-to-Pin Skew <sup>(2)</sup>				40	ps
$t_{sk(p)}$	Pulse Skew <sup>(3)</sup>				125	ps
$t_{sk(pp)}$	Part-to-Part Skew <sup>(4)</sup>				300	ps
$t_{JIT}$	RMS Additive Phase Jitter	25MHz, Integration Range 12kHz – 10MHz		0.541		ps
		125MHz, Integration Range 12kHz – 20MHz		0.159		ps
		156.25MHz, Integration Range 12kHz – 20MHz		0.185		ps
$t_{PLH}$	Propagation Delay, Low-to-High	A Crosspoint to Qx, nQx Crosspoint		1.25	1.75	ns
$t_{PHL}$	Propagation Delay, High-to-Low			1.25	1.75	ns
$f_o$	Frequency Range <sup>(6)</sup>				1	GHz
$t_{PGE}$	Output Gate Enable Crossing $V_{THI}$ -to-Qx, nQx Crosspoint				3.5	ns
$t_{PGD}$	Output Gate Enable Crossing $V_{THI}$ -to-Qx, nQx Crosspoint Driven to GL Designated Level				3.5	ns
$t_{PWRDN}$	nPD Crossing $V_{THI}$ -to-Qx = $V_{DD}$ , nQx = $V_{DD}$				100	$\mu\text{S}$
$t_{PWRUP}$	Output Gate Disable Crossing $V_{THI}$ to nQx Driven to GL Designated Level				100	$\mu\text{S}$
$t_R / t_F$	Output Rise.Fall Time <sup>(6)</sup>		125		600	ps

NOTE: Electrical parameters are guaranteed over the specified ambient operating temperature range, which is established when the device is mounted in a test socket with maintained transverse airflow greater than 500 lfm. The device will meet specifications after thermal equilibrium has been reached under these conditions.

NOTE 1: AC propagation measurements should not be taken within the first 100 cycles of startup.

NOTE 2: Skew measured between crosspoints of all differential output pairs under identical input and output interfaces, transitions and load conditions on any one device.

NOTE 3: Skew measured is the difference between propagation delay times  $t_{PHL}$  and  $t_{PLH}$  of any differential output pair under identical input and output interfaces, transitions and load conditions on any one device.

NOTE 4: Skew measured is the magnitude of the difference in propagation times between any single differential output pair of two devices, given identical transitions and load conditions at identical  $V_{DD}$  levels and temperature.

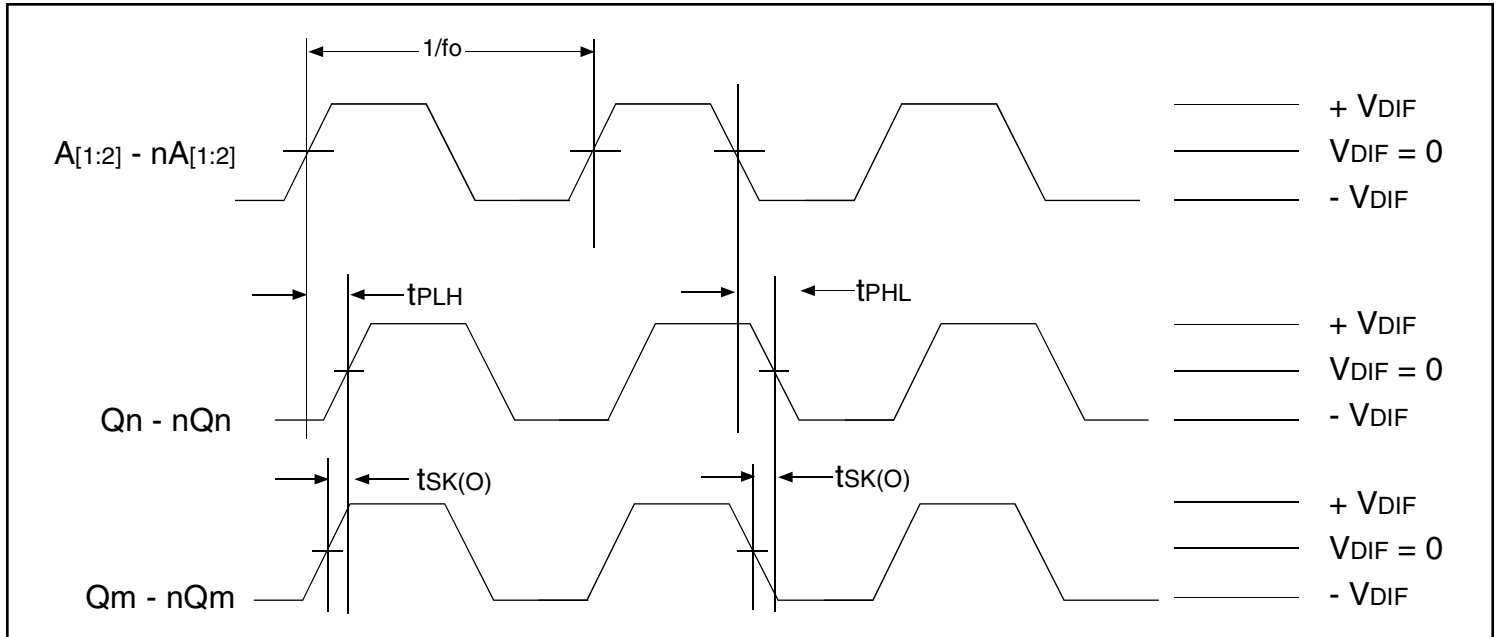
NOTE 5: All parameters are tested with a 50% input duty cycle.

NOTE 6: Guaranteed by design but not production tested.



## Differential AC Timing Waveforms

### Output Propagation and Skew Waveforms



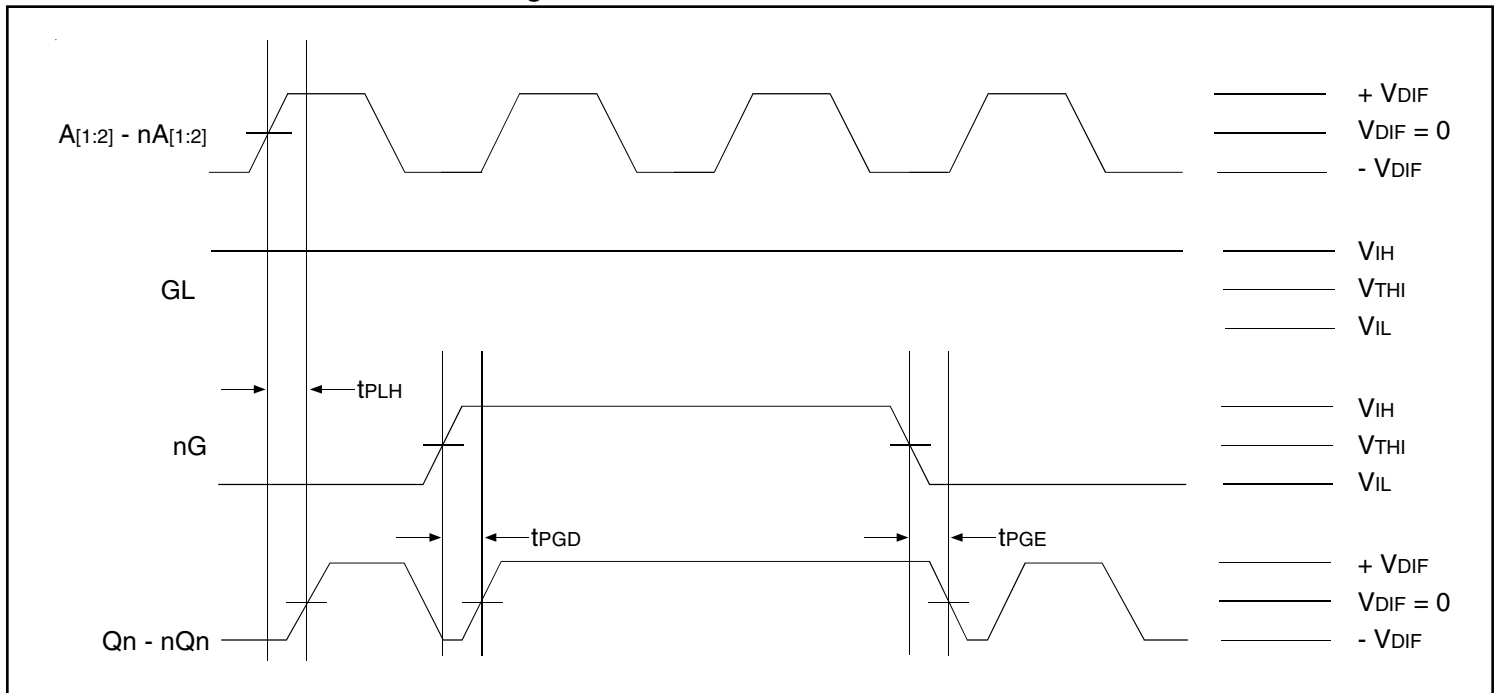
NOTE 1: Pulse skew is calculated using the following expression:

$$tsk(p) = |tp_{HL} - tp_{LH}|$$

Note that the  $tp_{HL}$  and  $tp_{LH}$  shown above are not valid measurements for this calculation because they are not taken from the same pulse.

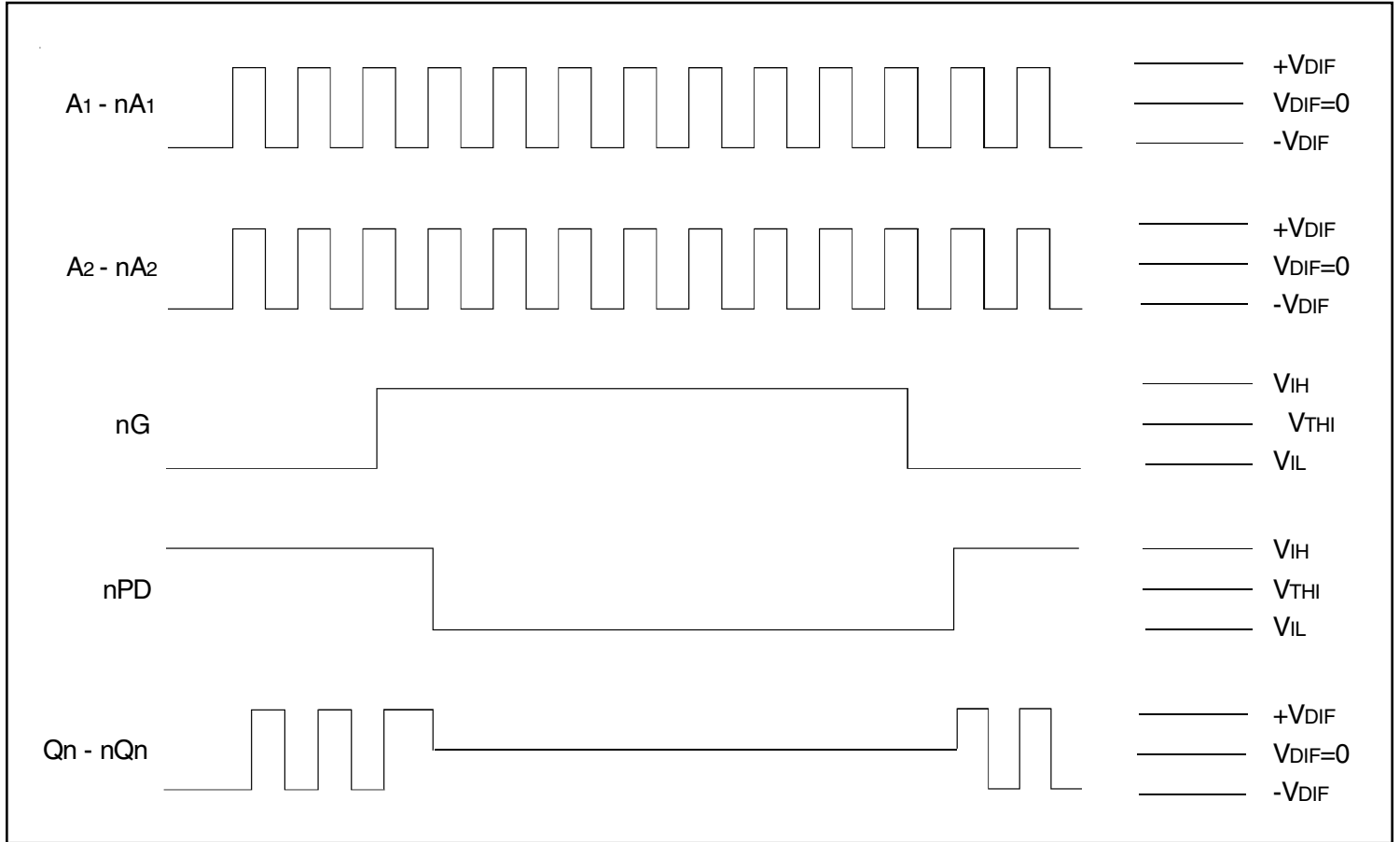
NOTE 2: AC propagation measurements should not be taken within the first 100 cycles of startup.

### Differential Gate Disabled/Enable Showing Runt Pulse Generation



NOTE 1: As shown, it is possible to generate runt pulses on gate disable and enable of the outputs. It is the user's responsibility to time the  $nG$  signal to avoid this problem.

Power Down Timing



NOTE 1: It is recommended that outputs be disabled before entering power-down mode. It is also recommended that the outputs remain disabled until the device completes power-up after asserting nPD.

NOTE 2: The *Power Down Timing* diagram assumes that GL is HIGH.

NOTE 3: It should be noted that during power-down mode, the outputs are both pulled to  $V_{DD}$ . In the *Power Down Timing* diagram this is shown when Qx, nQx goes to  $V_{DIF} = 0$ .

Test Circuit for Differential Input

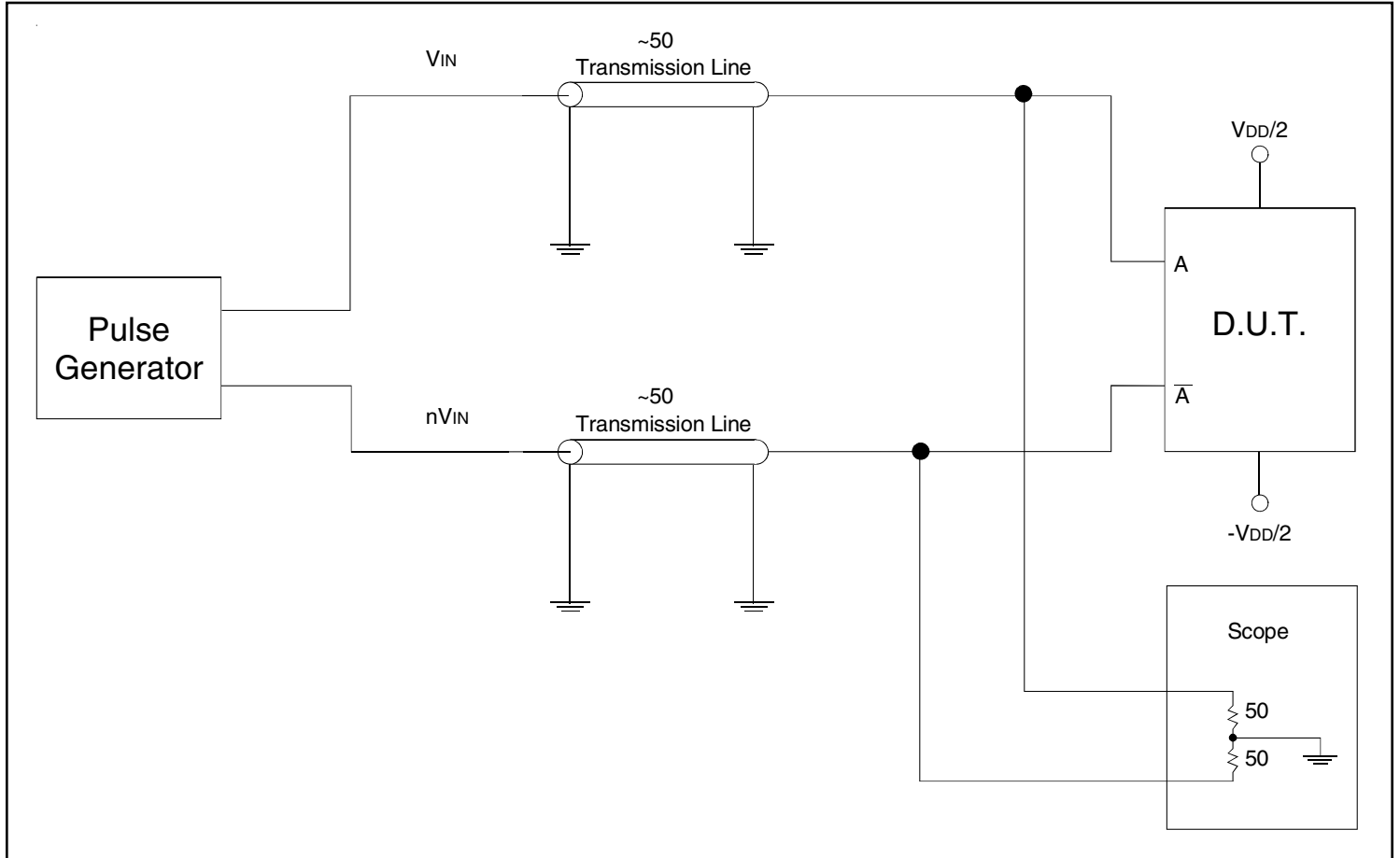
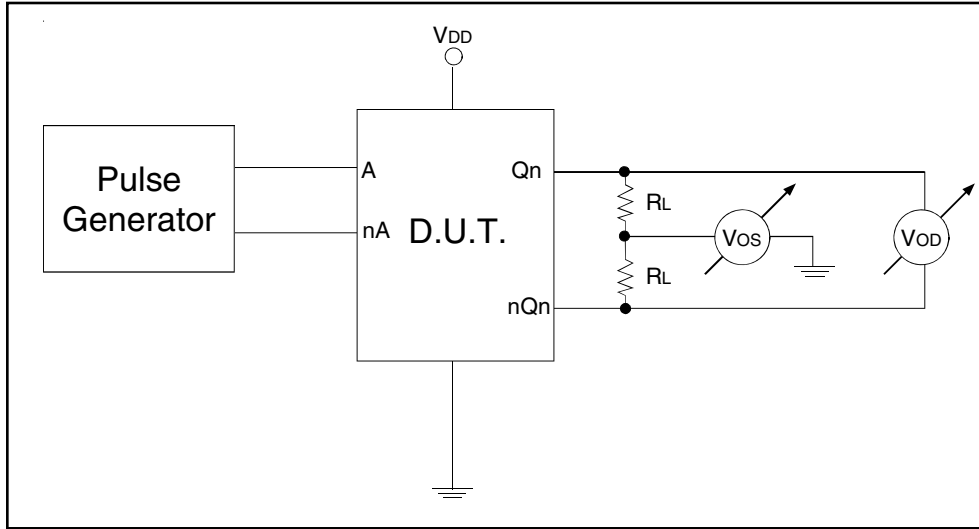


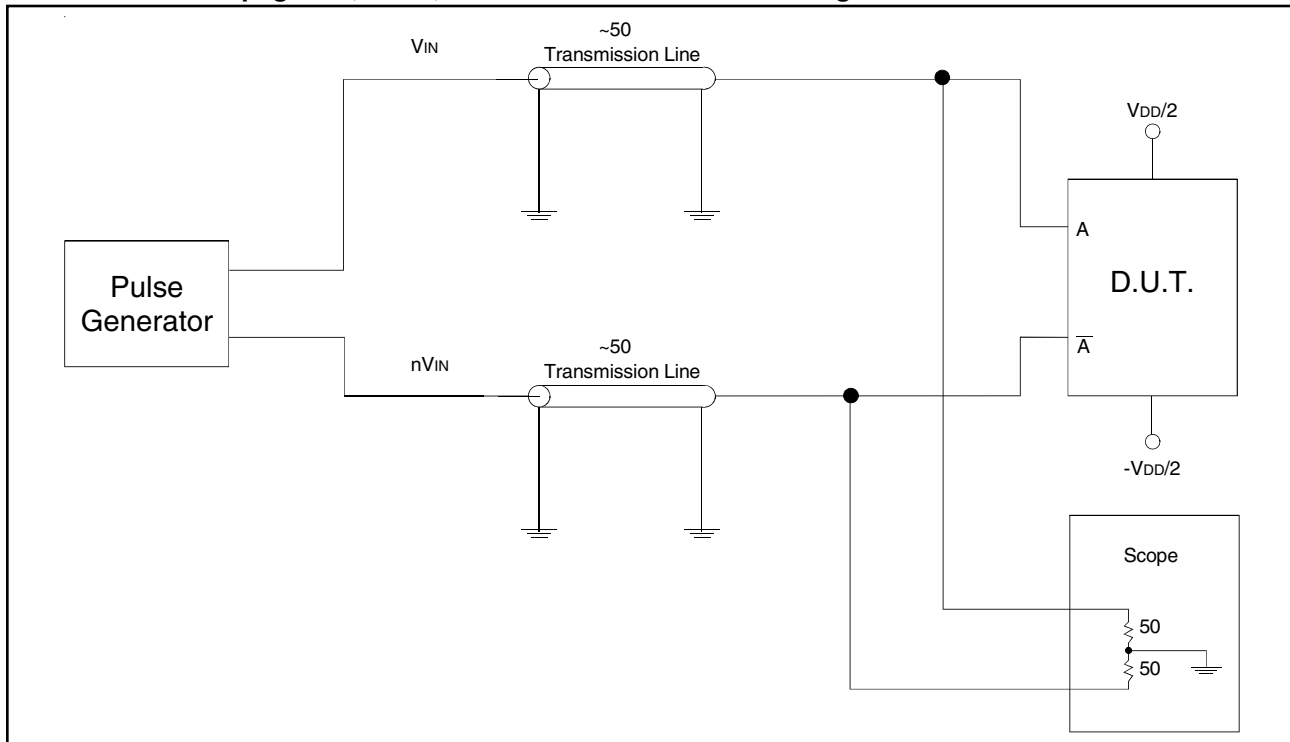
Table 6A. Differential Input Test Conditions

Symbol	$V_{DD} = 2.5V \pm 0.2V$	Unit
$V_{THI}$	Crossing of A and nA	V

**Test Circuit for DC Outputs and Power Down Tests**



**Test Circuit for Propagation, Skew, and Gate Enable/Disable Timing**



**Table 6B. LVDS Differential Output Test Conditions**

Symbol	$V_{DD} = 2.5V \pm 0.2V$	Unit
$C_L$	0 <sup>(1)</sup>	pF
	8 <sup>(1,2)</sup>	pF
$R_L$	50	$\Omega$

NOTE 1: Specifications only apply to “Normal Operations” test condition. The  $T_{IA}/E_{IA}$  specification load is for reference only.  
 NOTE 2: The scope inputs are assumed to have a 2pF load to ground.  $T_{IA}/E_{IA} - 644$  specifies 5pF between the output pair. With  $C_L = 8pF$ , this gives the test circuit appropriate 5pF equivalent load.

## Applications Information

### Recommendations for Unused Output Pins

#### Inputs:

##### LVC MOS Control Pins

The input controls must not be treated as unused inputs. All control pins are floating and have no default state. Each must be configured by tying a 1k $\Omega$  resistor to either ground or  $V_{DD}$ .

##### Clock Input

For applications not requiring the use of the second input clock  $Ax/nAx$ , it can be left floating. Though not required, but for additional protection, a 1k $\Omega$  resistor can be tied from  $Ax$  to ground and a 1k $\Omega$  resistor can be tied from  $nAx$  to  $V_{DD}$ .

#### Outputs:

##### LVDS Outputs

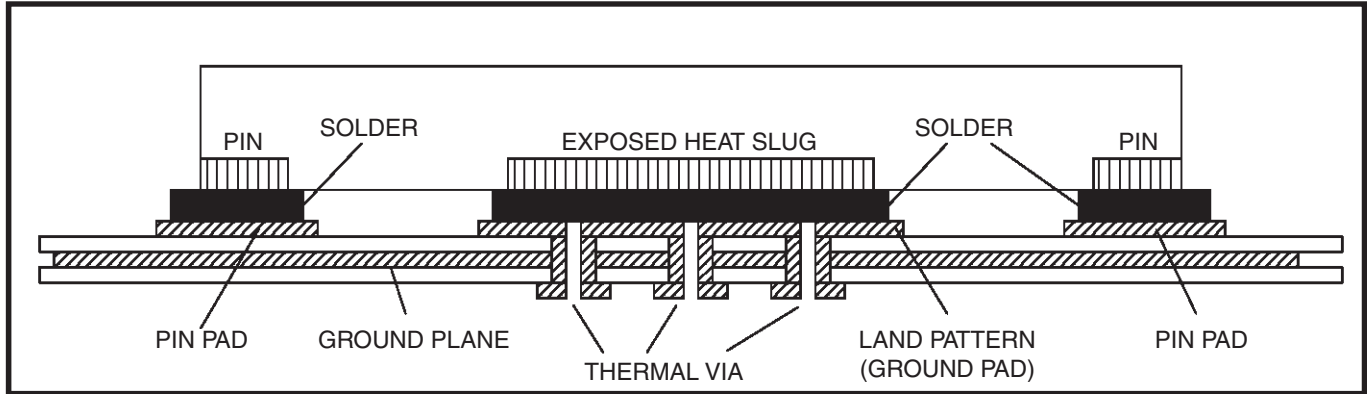
All unused LVDS output pairs can be either left floating or terminated with 100 $\Omega$  across. If they are left floating, we recommend that there is no trace attached.

## VFQFPN EPAD Thermal Release Path

In order to maximize both the removal of heat from the package and the electrical performance, a land pattern must be incorporated on the Printed Circuit Board (PCB) within the footprint of the package corresponding to the exposed metal pad or exposed heat slug on the package, as shown in *Figure 1*. The solderable area on the PCB, as defined by the solder mask, should be at least the same size/shape as the exposed pad/slug area on the package to maximize the thermal/electrical performance. Sufficient clearance should be designed on the PCB between the outer edges of the land pattern and the inner edges of pad pattern for the leads to avoid any shorts.

While the land pattern on the PCB provides a means of heat transfer and electrical grounding from the package to the board through a solder joint, thermal vias are necessary to effectively conduct from the surface of the PCB to the ground plane(s). The land pattern must be connected to ground through these vias. The vias act as “heat pipes”. The number of vias (i.e. “heat pipes”) are application specific

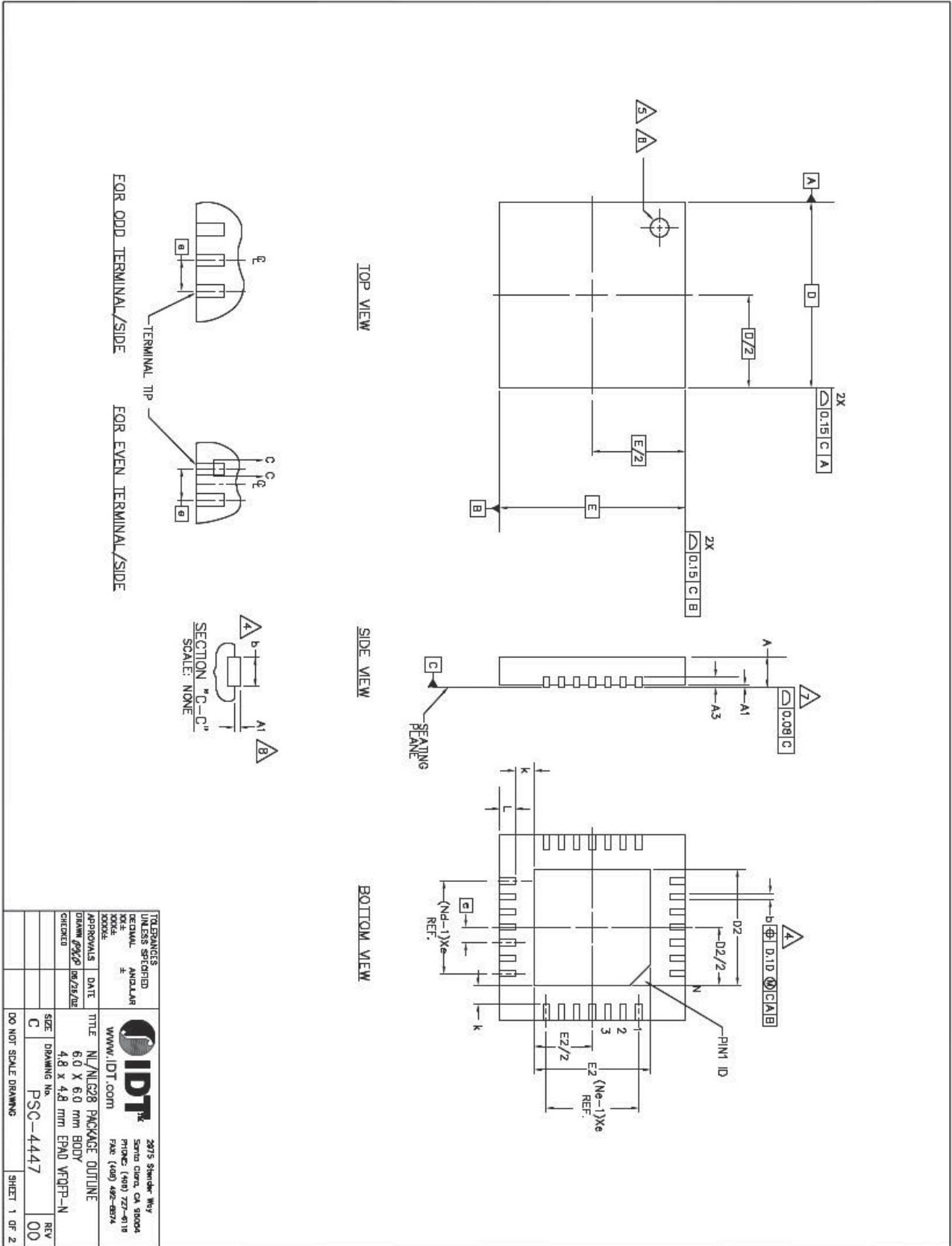
and dependent upon the package power dissipation as well as electrical conductivity requirements. Thus, thermal and electrical analysis and/or testing are recommended to determine the minimum number needed. Maximum thermal and electrical performance is achieved when an array of vias is incorporated in the land pattern. It is recommended to use as many vias connected to ground as possible. It is also recommended that the via diameter should be 12 to 13mils (0.30 to 0.33mm) with 1oz copper via barrel plating. This is desirable to avoid any solder wicking inside the via during the soldering process which may result in voids in solder between the exposed pad/slug and the thermal land. Precautions should be taken to eliminate any solder voids between the exposed heat slug and the land pattern. Note: These recommendations are to be used as a guideline only. For further information, please refer to the Application Note on the Surface Mount Assembly of Amkor’s Thermally/Electrically Enhance Leadframe Base Package, Amkor Technology.



**Figure 1. P.C. Assembly for Exposed Pad Thermal Release Path – Side View (drawing not to scale)**

# Package Drawing and Dimensions

## 28 Lead VFQFPN Package Outline and Package Dimensions




# Package Drawing and Dimensions, Continued

## 28 Lead VFQFPN Package Outline and Package Dimensions

JEDEC VARIATION VJLC-3			
Symbol	MIN.	NOM.	MAX.
A	0.85	BSC	
N	28		2
Nd			2
Ne	7		2
b	0.25	0.30	0.35
D2	4.8		10
E2	4.8		10

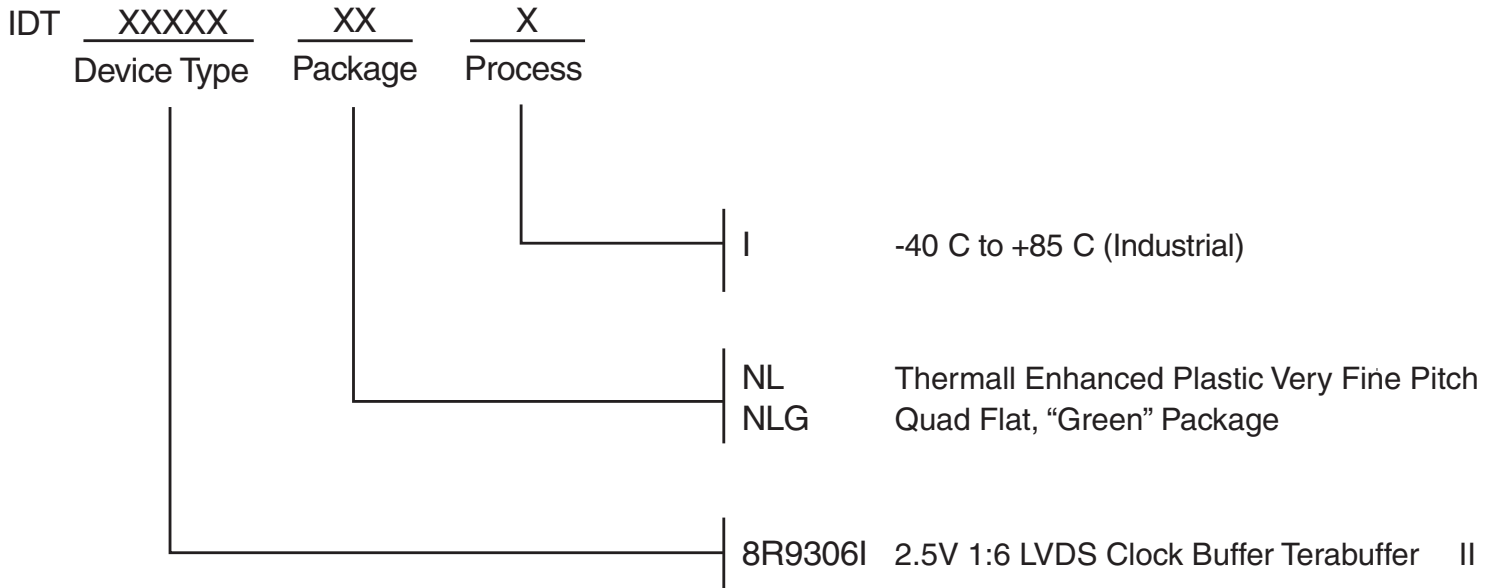
COMMON DIMENSIONS			
Symbol	MIN.	NOM.	MAX.
A1	0.00	0.02	0.05
A3		0.20	REF.
D		6.00	BSC
E		6.00	BSC
K	0.20		
L	0.35	0.40	0.45

- NOTES:
1. DIMENSIONING & TOLERANCING CONFORM TO ASME Y14.5M. - 1994.
  2. N IS THE NUMBER OF TERMINALS.  
Nd IS THE NUMBER OF TERMINALS IN X-DIRECTION &  
Ne IS THE NUMBER OF TERMINALS IN Y-DIRECTION.
  3. ALL DIMENSIONS ARE IN MILLIMETERS.  
A. DIMENSION b APPLIES TO PLATED TERMINAL AND IS MEASURED BETWEEN 0.20 AND 0.30mm FROM TERMINAL TIP.
  5. THE PIN #1 IDENTIFIER MUST EXIST ON THE TOP SURFACE OF THE PACKAGE BY USING INDENTATION MARK OR OTHER FEATURE OF PACKAGE BODY.
  6. EXACT SHAPE AND SIZE OF THIS FEATURE IS OPTIONAL.
  7. APPLIED TO EXPOSED PAD AND TERMINALS. EXCLUDE EMBEDDED PART OF EXPOSED PAD FROM MEASURING.
  8. APPLIED ONLY FOR TERMINALS.
  9. THIS OUTLINE CONFORMS TO JEDEC PUBLICATION 95 REGISTRATION MO-220, VARIATION VJLC-3 & VJLC-5 WITH THE EXCEPTION OF D2 & E2.

TOLERANCES UNLESS SPECIFIED	2975 Steiner Way
DECIMAL ANGULAR	San Jose, CA 95134
XXX	PHONE: (408) 722-8178
XXXX	FAX: (408) 462-8974
APPROVALS	DATE
DESIGNED BY: PZ/ST	06/29/08
CHECKED	
	
WWW.IDT.COM TITLE: NI/NUG28 PACKAGE OUTLINE SIZE: 6.0 X 6.0 mm BODY 4.8 X 4.8 mm EPAD VFQFP-N	
REV	00
DO NOT SCALE DRAWING	SHEET 2 OF 2



## Ordering Information



**Table 8. Ordering Information**

Part/Order Number	Marking	Package	Shipping Packaging	Temperature
8R9306NLGI	IDT8R9306NLGI	"Lead-Free" 28 Lead VFQFPN	Tray	-40°C to 85°C
8R9306NLGI8	IDT8R9306NLGI	"Lead-Free" 28 Lead VFQFPN	Tape & Reel	-40°C to 85°C

## Revision History Sheet

Rev	Table	Page	Description of Change	Date
B	T5F	9	Changed fo, Frequency Range Maximum from 1MHz to 1GHz.	4/11/2012
C	4A 5F  8	1	Features, first bullet: changed 25ps to 40ps Features, eighth bullet: changed two LVDS outputs to six LVDS outputs Pin Assignment: changed dimensions from 5mm x 5mm to 6mm x 6mm Pin Assignment: added EPad dimensions	6/26/2013
		5	$I_{TOT}$ , Test Conditions: changed $F_{REF}$ Clock from 450MHz to 1GHz	
		8	$t_{sk(o)}$ : changed 25ps Max to 40ps Max	
		13	Added: Recommendations for Unused Output Pins	
		15, 16	Updated Package Drawing	
		17	Deleted quantity from Tape & Reel	
D		1, 14, 15, 16, 17	Changed VFQFN to VFQFPN.	7/25/2013
D	T1	3	First row: Corrected typo - A[1:2].	8/16/2013
		17	Added 'l' to Ordering Information diagram.	



## IMPORTANT NOTICE AND DISCLAIMER

RENESAS ELECTRONICS CORPORATION AND ITS SUBSIDIARIES (“RENESAS”) PROVIDES TECHNICAL SPECIFICATIONS AND RELIABILITY DATA (INCLUDING DATASHEETS), DESIGN RESOURCES (INCLUDING REFERENCE DESIGNS), APPLICATION OR OTHER DESIGN ADVICE, WEB TOOLS, SAFETY INFORMATION, AND OTHER RESOURCES “AS IS” AND WITH ALL FAULTS, AND DISCLAIMS ALL WARRANTIES, EXPRESS OR IMPLIED, INCLUDING, WITHOUT LIMITATION, ANY IMPLIED WARRANTIES OF MERCHANTABILITY, FITNESS FOR A PARTICULAR PURPOSE, OR NON-INFRINGEMENT OF THIRD PARTY INTELLECTUAL PROPERTY RIGHTS.

These resources are intended for developers skilled in the art designing with Renesas products. You are solely responsible for (1) selecting the appropriate products for your application, (2) designing, validating, and testing your application, and (3) ensuring your application meets applicable standards, and any other safety, security, or other requirements. These resources are subject to change without notice. Renesas grants you permission to use these resources only for development of an application that uses Renesas products. Other reproduction or use of these resources is strictly prohibited. No license is granted to any other Renesas intellectual property or to any third party intellectual property. Renesas disclaims responsibility for, and you will fully indemnify Renesas and its representatives against, any claims, damages, costs, losses, or liabilities arising out of your use of these resources. Renesas' products are provided only subject to Renesas' Terms and Conditions of Sale or other applicable terms agreed to in writing. No use of any Renesas resources expands or otherwise alters any applicable warranties or warranty disclaimers for these products.

(Rev.1.0 Mar 2020)

### Corporate Headquarters

TOYOSU FORESIA, 3-2-24 Toyosu,  
Koto-ku, Tokyo 135-0061, Japan  
[www.renesas.com](http://www.renesas.com)

### Contact Information

For further information on a product, technology, the most up-to-date version of a document, or your nearest sales office, please visit:  
[www.renesas.com/contact/](http://www.renesas.com/contact/)

### Trademarks

Renesas and the Renesas logo are trademarks of Renesas Electronics Corporation. All trademarks and registered trademarks are the property of their respective owners.