

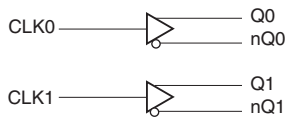
GENERAL DESCRIPTION

The 85222-01 is a Dual LVCMOS / LVTTTL-to-Differential HSTL translator. The 85222-01 has two single ended clock inputs. The single ended clock input accepts LVCMOS or LVTTTL input levels and translates them to HSTL levels. The small outline 8-pin SOIC package makes this device ideal for applications where space, high performance and low power are important.

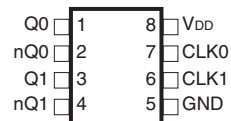
FEATURES

- Two differential HSTL outputs
- CLK0, CLK1 LVCMOS/LVTTTL clock inputs
- CLK0 and CLK1 can accept the following input levels: LVCMOS or LVTTTL
- Maximum output frequency: 350MHz
- Part-to-part skew: 375ps (maximum)
- Propagation delay: 1075ps (maximum)
- V_{OH} : 1.4V (maximum)
- Full 3.3V and 2.5V operating supply voltage
- 0°C to 70°C ambient operating temperature
- Industrial temperature information available upon request
- Available in lead-free RoHS-compliant package

BLOCK DIAGRAM



PIN ASSIGNMENT



85222-01
8-Lead SOIC
 3.90mm x 4.92mm x 1.37mm body package
M Package
 Top View

TABLE 1. PIN DESCRIPTIONS

| Number | Name | Type | | Description |
|--------|-----------------|--------|--------|--|
| 1, 2 | Q0, nQ0 | Output | | Differential output pair. HSTL interface levels. |
| 3, 4 | Q1, nQ1 | Output | | Differential output pair. HSTL interface levels. |
| 5 | GND | Power | | Power supply ground. |
| 6 | CLK1 | Input | Pullup | LVC MOS / LV TTL clock input. |
| 7 | CLK0 | Input | Pullup | LVC MOS / LV TTL clock input. |
| 8 | V _{DD} | Power | | Positive supply pin. |

NOTE: *Pullup* refers to internal input resistors. See Table 2, Pin Characteristics, for typical values.

NOTE: Unused output pairs must be terminated.

TABLE 2. PIN CHARACTERISTICS

| Symbol | Parameter | Test Conditions | Minimum | Typical | Maximum | Units |
|-----------------------|-------------------------|-----------------|---------|---------|---------|-------|
| C _{IN} | Input Capacitance | | | 4 | | pF |
| R _{PULLUP} | Input Pullup Resistor | | | 51 | | kΩ |
| R _{PULLDOWN} | Input Pulldown Resistor | | | 51 | | kΩ |

ABSOLUTE MAXIMUM RATINGS

| | |
|--|--------------------------|
| Supply Voltage, V_{DD} | 4.6V |
| Inputs, V_I | -0.5V to $V_{DD} + 0.5V$ |
| Outputs, I_O | |
| Continuous Current | 50mA |
| Surge Current | 100mA |
| Package Thermal Impedance, θ_{JA} | 112.7°C/W (0 lfpm) |
| Storage Temperature, T_{STG} | -65°C to 150°C |

NOTE: Stresses beyond those listed under Absolute Maximum Ratings may cause permanent damage to the device. These ratings are stress specifications only. Functional operation of product at these conditions or any conditions beyond those listed in the *DC Characteristics* or *AC Characteristics* is not implied. Exposure to absolute maximum rating conditions for extended periods may affect product reliability.

TABLE 3A. POWER SUPPLY DC CHARACTERISTICS, $V_{DD} = 3.3V \pm 5\%$ OR $V_{DD} = 2.5V \pm 5\%$, $T_A = 0^\circ C$ TO $70^\circ C$

| Symbol | Parameter | Test Conditions | Minimum | Typical | Maximum | Units |
|----------|-------------------------|-----------------|---------|---------|---------|-------|
| V_{DD} | Positive Supply Voltage | | 3.135 | 3.3 | 3.465 | V |
| V_{DD} | Positive Supply Voltage | | 2.375 | 2.5 | 2.625 | V |
| I_{DD} | Power Supply Current | | | | 35 | mA |

TABLE 3B. LVCMOS / LVTTTL DC CHARACTERISTICS, $V_{DD} = 3.3V \pm 5\%$ OR $V_{DD} = 2.5V \pm 5\%$, $T_A = 0^\circ C$ TO $70^\circ C$

| Symbol | Parameter | Test Conditions | Minimum | Typical | Maximum | Units |
|----------|--------------------|-----------------|-------------------------------|---------|----------------|---------|
| V_{IH} | Input High Voltage | CLK0, CLK1 | 2 | | $V_{DD} + 0.3$ | V |
| V_{IL} | Input Low Voltage | CLK0, CLK1 | -0.3 | | 1.3 | V |
| I_{IH} | Input High Current | CLK0, CLK1 | $V_{DD} = V_{IN} = 3.465V$ | | 5 | μA |
| | | | $V_{DD} = V_{IN} = 2.625V$ | | | |
| I_{IL} | Input Low Current | CLK0, CLK1 | $V_{DD} = 3.465, V_{IN} = 0V$ | -150 | | μA |
| | | | $V_{DD} = 2.625, V_{IN} = 0V$ | | | |

TABLE 3C. HSTL DC CHARACTERISTICS, $V_{DD} = 3.3V \pm 5\%$ OR $V_{DD} = 2.5V \pm 5\%$, $T_A = 0^\circ C$ TO $70^\circ C$

| Symbol | Parameter | Test Conditions | Minimum | Typical | Maximum | Units |
|-------------|-----------------------------------|-------------------------|---------|---------|---------|-------|
| V_{OH} | Output High Voltage; NOTE 1 | | 1 | | 1.4 | V |
| V_{OL} | Output Low Voltage; NOTE 1 | $V_{DD} = 3.3V \pm 5\%$ | 0 | | 0.4 | V |
| | | $V_{DD} = 2.5V \pm 5\%$ | 0 | | 0.55 | V |
| V_{SWING} | Peak-to-Peak Output Voltage Swing | $V_{DD} = 3.3V \pm 5\%$ | 0.6 | | 1.4 | V |
| | | $V_{DD} = 2.5V \pm 5\%$ | 0.45 | | 1.4 | V |

NOTE 1: Outputs terminated with 50Ω to GND.

TABLE 4A. AC CHARACTERISTICS, $V_{DD} = 3.3V \pm 5\%$, $T_A = 0^\circ C$ TO $70^\circ C$

| Symbol | Parameter | Test Conditions | Minimum | Typical | Maximum | Units |
|-------------|------------------------------|------------------------------|---------|---------|---------|-------|
| f_{MAX} | Output Frequency | | | | 350 | MHz |
| t_{PD} | Propagation Delay; NOTE 1 | | 700 | | 1075 | ps |
| tsk(pp) | Part-to-Part Skew; NOTE 2, 3 | | | | 375 | ps |
| t_R / t_F | Output Rise/Fall Time | 20% to 80% | 150 | | 800 | ps |
| odc | Output Duty Cycle | $f \leq 150\text{MHz}$ | 48 | | 52 | % |
| | | $150 < f \leq 250\text{MHz}$ | 46 | | 54 | % |
| | | $250 < f \leq 350\text{MHz}$ | 45 | | 55 | % |

NOTE 1: Measured from $V_{DD}/2$ of the input to the differential output crossing point.

NOTE 2: Defined as skew between outputs on different devices operating at the same supply voltages and with equal load conditions. Using the same type of inputs on each device, the outputs are measured at the differential cross points.

NOTE 3: This parameter is defined in accordance with JEDEC Standard 65.

TABLE 4B. AC CHARACTERISTICS, $V_{DD} = 2.5V \pm 5\%$, $T_A = 0^\circ C$ TO $70^\circ C$

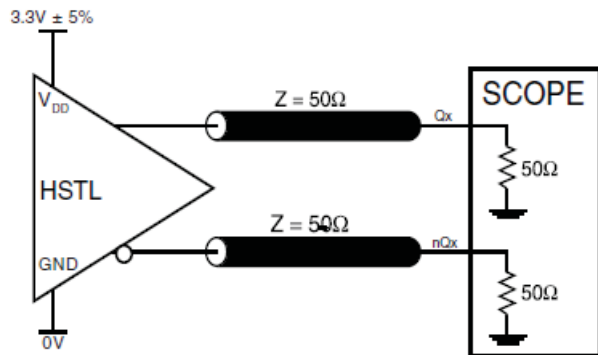
| Symbol | Parameter | Test Conditions | Minimum | Typical | Maximum | Units |
|-------------|------------------------------|------------------------------|---------|---------|---------|-------|
| f_{MAX} | Output Frequency | | | | 350 | MHz |
| t_{PD} | Propagation Delay; NOTE 1 | | 700 | | 1200 | ps |
| tsk(pp) | Part-to-Part Skew; NOTE 2, 3 | | | | 475 | ps |
| t_R / t_F | Output Rise/Fall Time | 20% to 80% | 150 | | 800 | ps |
| odc | Output Duty Cycle | $f \leq 150\text{MHz}$ | 48 | | 52 | % |
| | | $150 < f \leq 350\text{MHz}$ | 46 | | 54 | % |

NOTE 1: Measured from $V_{DD}/2$ of the input to the differential output crossing point.

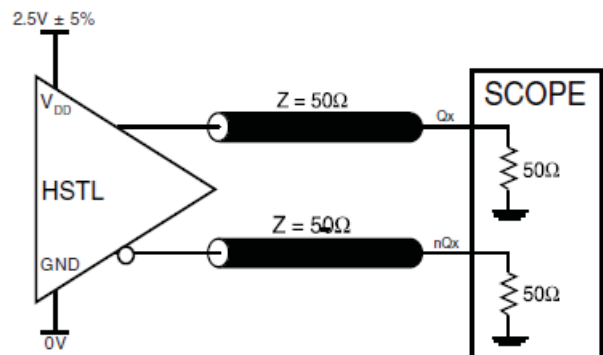
NOTE 2: Defined as skew between outputs on different devices operating at the same supply voltages and with equal load conditions. Using the same type of inputs on each device, the outputs are measured at the differential cross points.

NOTE 3: This parameter is defined in accordance with JEDEC Standard 65.

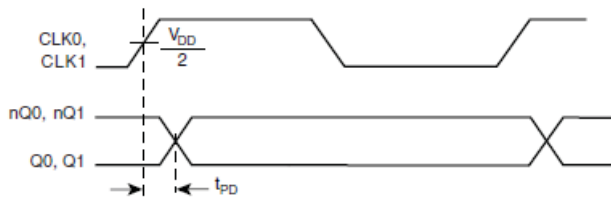
PARAMETER MEASUREMENT INFORMATION



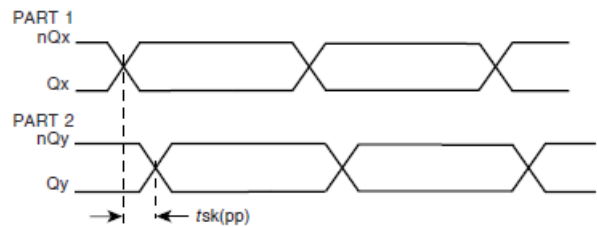
3.3V CORE/3.3V OUTPUT LOAD AC TEST CIRCUIT



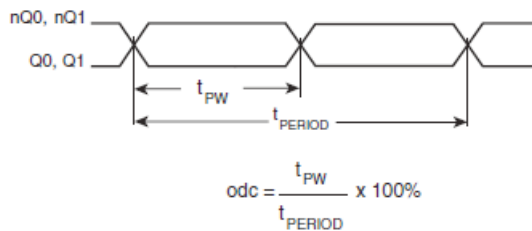
2.5V CORE/2.5V OUTPUT LOAD AC TEST CIRCUIT



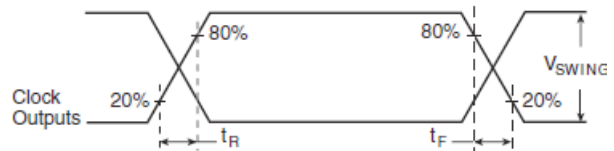
PROPAGATION DELAY



PART-TO-PART SKEW



OUTPUT DUTY CYCLE/PULSE WIDTH/PERIOD



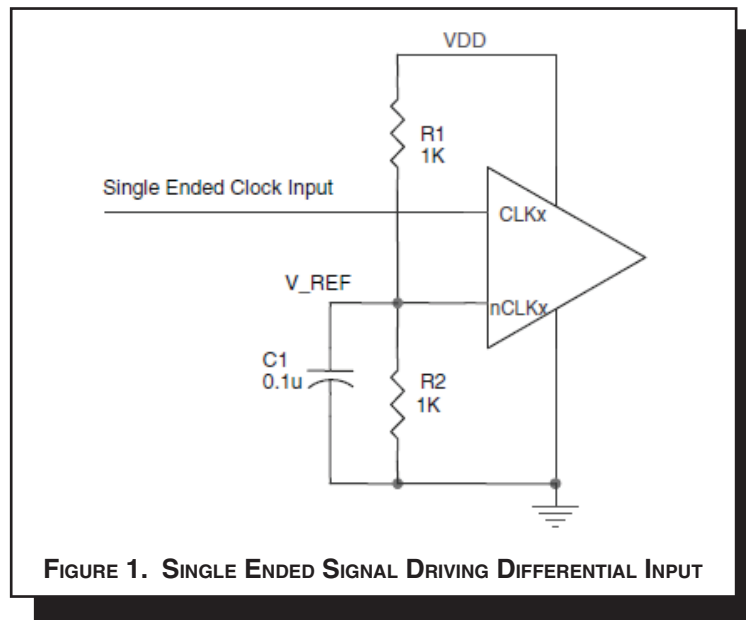
OUTPUT RISE/FALL TIME

APPLICATION INFORMATION

WIRING THE DIFFERENTIAL INPUT TO ACCEPT SINGLE ENDED LEVELS

Figure 1 shows how the differential input can be wired to accept single ended levels. The reference voltage $V_{REF} = V_{DD}/2$ is generated by the bias resistors R1, R2 and C1. This bias circuit should be located as close as possible to the input pin. The ratio

of R1 and R2 might need to be adjusted to position the V_{REF} in the center of the input voltage swing. For example, if the input clock swing is only 2.5V and $V_{CC} = 3.3V$, V_{REF} should be 1.25V and $R2/R1 = 0.609$.



RECOMMENDATIONS FOR UNUSED INPUT AND OUTPUT PINS

INPUTS:

CLK INPUT:

For applications not requiring the use of a clock input, it can be left floating. Though not required, but for additional protection, a 1kΩ resistor can be tied from the CLK input to ground.

OUTPUTS:

HSTL OUTPUT

All unused LVHSTL outputs can be left floating. We recommend that there is no trace attached. Both sides of the differential output pair should either be left floating or terminated.

SCHEMATIC EXAMPLE

Figure 2 shows a schematic example of 85222-01. In this example, the inputs are driven by 7Ω output LVC MOS drivers with series terminations. The decoupling capacitors should be

physically located near the power pin. For 85222-01, the unused output need to be terminated.

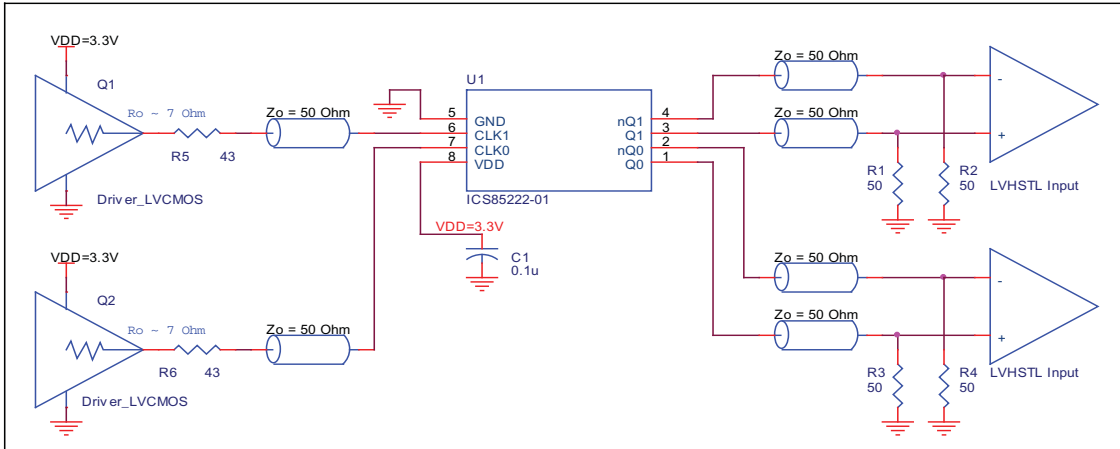


FIGURE 2. 85222-01 HSTL BUFFER SCHEMATIC EXAMPLE

POWER CONSIDERATIONS

This section provides information on power dissipation and junction temperature for the 85222-01. Equations and example calculations are also provided.

1. Power Dissipation.

The total power dissipation for the 85222-01 is the sum of the core power plus the power dissipated in the load(s). The following is the power dissipation for $V_{DD} = 3.3V + 5\% = 3.465V$, which gives worst case results.

NOTE: Please refer to Section 3 for details on calculating power dissipated in the load.

- Power (core)_{MAX} = $V_{DD_MAX} * I_{DD_MAX} = 3.465V * 35mA = 121.3mW$
- Power (outputs)_{MAX} = **82.34mW/Loaded Output pair**
If all outputs are loaded, the total power is $2 * 82.34mW = 164.68mW$

Total Power_{MAX} (3.465V, with all outputs switching) = $121.3mW + 164.68mW = 285.98mW$

2. Junction Temperature.

Junction temperature, T_j, is the temperature at the junction of the bond wire and bond pad and directly affects the reliability of the device. The maximum recommended junction temperature for the devices is 125°C.

The equation for T_j is as follows: $T_j = \theta_{JA} * Pd_total + T_A$

T_j = Junction Temperature

θ_{JA} = Junction-to-Ambient Thermal Resistance

Pd_{total} = Total device power dissipation (example calculation is in Section 1 above)

T_A = Ambient Temperature

In order to calculate junction temperature, the appropriate junction-to-ambient thermal resistance θ_{JA} must be used. Assuming a moderate air flow of 200 linear feet per minute and a multi-layer board, the appropriate value is 103.3°C/W per Table 5 below. Therefore, T_j for an ambient temperature of 70°C with all outputs switching is:

$70^\circ C + 0.286W * 103.3^\circ C/W = 99.5^\circ C$. This is well below the limit of 125°C.

This calculation is only an example. T_j will obviously vary depending on the number of loaded outputs, supply voltage, air flow, and the type of board (single layer or multi-layer).

TABLE 5. THERMAL RESISTANCE θ_{JA} FOR 8-PIN SOIC, FORCED CONVECTION

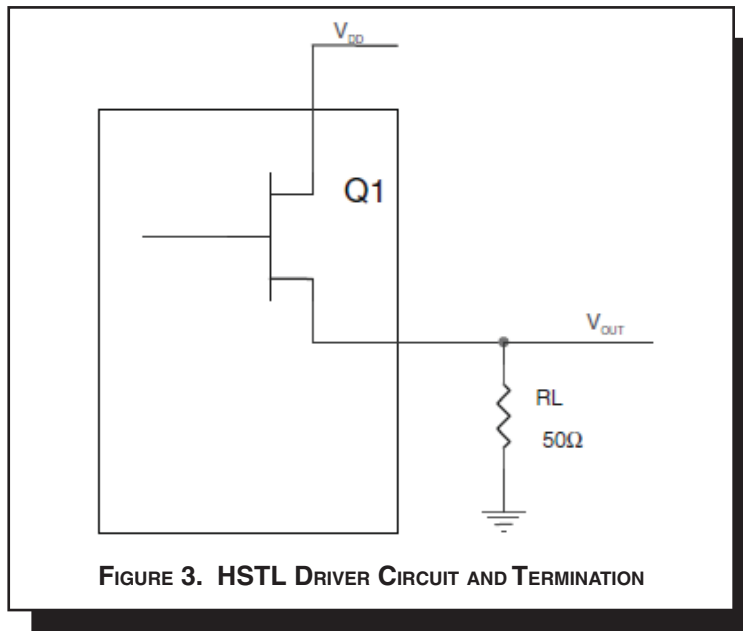
| θ_{JA} by Velocity (Linear Feet per Minute) | | | |
|--|-----------|-----------|-----------|
| | 0 | 200 | 500 |
| Single-Layer PCB, JEDEC Standard Test Boards | 153.3°C/W | 128.5°C/W | 115.5°C/W |
| Multi-Layer PCB, JEDEC Standard Test Boards | 112.7°C/W | 103.3°C/W | 97.1°C/W |

NOTE: Most modern PCB designs use multi-layered boards. The data in the second row pertains to most designs.

3. Calculations and Equations.

The purpose of this section is to derive the power dissipated into the load.

HSTL output driver circuit and termination are shown in *Figure 3*.



To calculate worst case power dissipation into the load, use the following equations which assume a 50Ω load.

Pd_H is power dissipation when the output drives high.

Pd_L is the power dissipation when the output drives low.

$$Pd_H = (V_{OH_MAX} / R_L) * (V_{DD_MAX} - V_{OH_MAX})$$

$$Pd_L = (V_{OL_MAX} / R_L) * (V_{DD_MAX} - V_{OL_MAX})$$

$$Pd_H = (1.4V / 50\Omega) * (3.465V - 1.4V) = \mathbf{57.82mW}$$

$$Pd_L = (0.4V / 50\Omega) * (3.465V - 0.4V) = \mathbf{24.52mW}$$

$$\text{Total Power Dissipation per output pair} = Pd_H + Pd_L = \mathbf{82.34mW}$$

RELIABILITY INFORMATION

TABLE 6. θ_{JA} VS. AIR FLOW TABLE 8 LEAD SOIC

| θ_{JA} by Velocity (Linear Feet per Minute) | | | |
|--|-----------|-----------|-----------|
| | 0 | 200 | 500 |
| Single-Layer PCB, JEDEC Standard Test Boards | 153.3°C/W | 128.5°C/W | 115.5°C/W |
| Multi-Layer PCB, JEDEC Standard Test Boards | 112.7°C/W | 103.3°C/W | 97.1°C/W |

NOTE: Most modern PCB designs use multi-layered boards. The data in the second row pertains to most designs.

TRANSISTOR COUNT

The transistor count for 85222-01 is: 443

PACKAGE OUTLINE - M SUFFIX FOR 8 LEAD SOIC

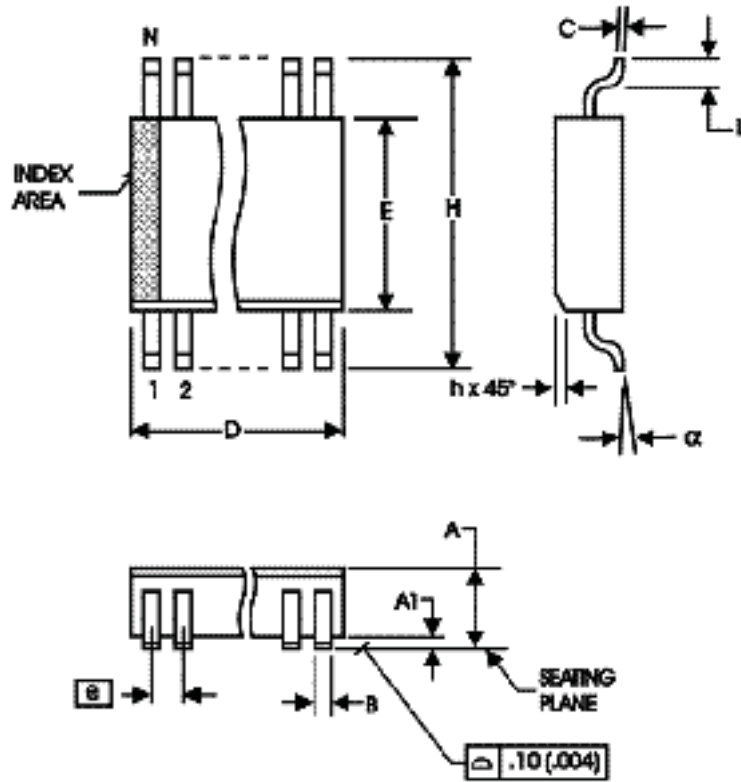


TABLE 7. PACKAGE DIMENSIONS

| SYMBOL | Millimeters | |
|--------|-------------|---------|
| | MINIMUM | MAXIMUM |
| N | 8 | |
| A | 1.35 | 1.75 |
| A1 | 0.10 | 0.25 |
| B | 0.33 | 0.51 |
| C | 0.19 | 0.25 |
| D | 4.80 | 5.00 |
| E | 3.80 | 4.00 |
| e | 1.27 BASIC | |
| H | 5.80 | 6.20 |
| h | 0.25 | 0.50 |
| L | 0.40 | 1.27 |
| α | 0° | 8° |

Reference Document: JEDEC Publication 95, MS-012

TABLE 8. ORDERING INFORMATION

| Part/Order Number | Marking | Package | Shipping Packaging | Temperature |
|-------------------|----------|-------------------------|--------------------|-------------|
| 85222AM-01LF | 5222A01L | 8 Lead "Lead-Free" SOIC | tube | 0°C to 70°C |
| 85222AM-01LFT | 5222A01L | 8 Lead "Lead-Free" SOIC | tape & reel | 0°C to 70°C |

NOTE: Parts that are ordered with an "LF" suffix to the part number are the Pb-Free configuration and are RoHS compliant.

| REVISION HISTORY SHEET | | | | |
|------------------------|-------|------|--|----------|
| Rev | Table | Page | Description of Change | Date |
| A | T8 | 6 | Added Application Note, "Wiring the Differential Input to Accept Single Ended Levels". | 1/11/05 |
| | | 11 | Ordering Information Table - added Lead-Free part number. | |
| A | T8 | 1 | Added lead-free bullet. | 11/15/05 |
| | | 6 | Added Recommendations for Unused Input and Output Pins. | |
| | | 8-9 | Corrected Power Considerations, Power Dissipation calculation. | |
| | | 12 | Ordering Information Table - added tape & reel quantity and lead-free note. | |
| A | T8 | 12 | Updated datasheet's header/footer with IDT from ICS. | 8/4/10 |
| | | 14 | Removed ICS prefix from Part/Order Number column. Added Contact Page. | |
| A | T8 | 12 | Product Discontinuation Notice - PDN CQ-15-03. Ordering Information - removed leaded devices. | 5/7/15 |

IMPORTANT NOTICE AND DISCLAIMER

RENESAS ELECTRONICS CORPORATION AND ITS SUBSIDIARIES (“RENESAS”) PROVIDES TECHNICAL SPECIFICATIONS AND RELIABILITY DATA (INCLUDING DATASHEETS), DESIGN RESOURCES (INCLUDING REFERENCE DESIGNS), APPLICATION OR OTHER DESIGN ADVICE, WEB TOOLS, SAFETY INFORMATION, AND OTHER RESOURCES “AS IS” AND WITH ALL FAULTS, AND DISCLAIMS ALL WARRANTIES, EXPRESS OR IMPLIED, INCLUDING, WITHOUT LIMITATION, ANY IMPLIED WARRANTIES OF MERCHANTABILITY, FITNESS FOR A PARTICULAR PURPOSE, OR NON-INFRINGEMENT OF THIRD PARTY INTELLECTUAL PROPERTY RIGHTS.

These resources are intended for developers skilled in the art designing with Renesas products. You are solely responsible for (1) selecting the appropriate products for your application, (2) designing, validating, and testing your application, and (3) ensuring your application meets applicable standards, and any other safety, security, or other requirements. These resources are subject to change without notice. Renesas grants you permission to use these resources only for development of an application that uses Renesas products. Other reproduction or use of these resources is strictly prohibited. No license is granted to any other Renesas intellectual property or to any third party intellectual property. Renesas disclaims responsibility for, and you will fully indemnify Renesas and its representatives against, any claims, damages, costs, losses, or liabilities arising out of your use of these resources. Renesas' products are provided only subject to Renesas' Terms and Conditions of Sale or other applicable terms agreed to in writing. No use of any Renesas resources expands or otherwise alters any applicable warranties or warranty disclaimers for these products.

(Rev.1.0 Mar 2020)

Corporate Headquarters

TOYOSU FORESIA, 3-2-24 Toyosu,
Koto-ku, Tokyo 135-0061, Japan
www.renesas.com

Contact Information

For further information on a product, technology, the most up-to-date version of a document, or your nearest sales office, please visit:
www.renesas.com/contact/

Trademarks

Renesas and the Renesas logo are trademarks of Renesas Electronics Corporation. All trademarks and registered trademarks are the property of their respective owners.