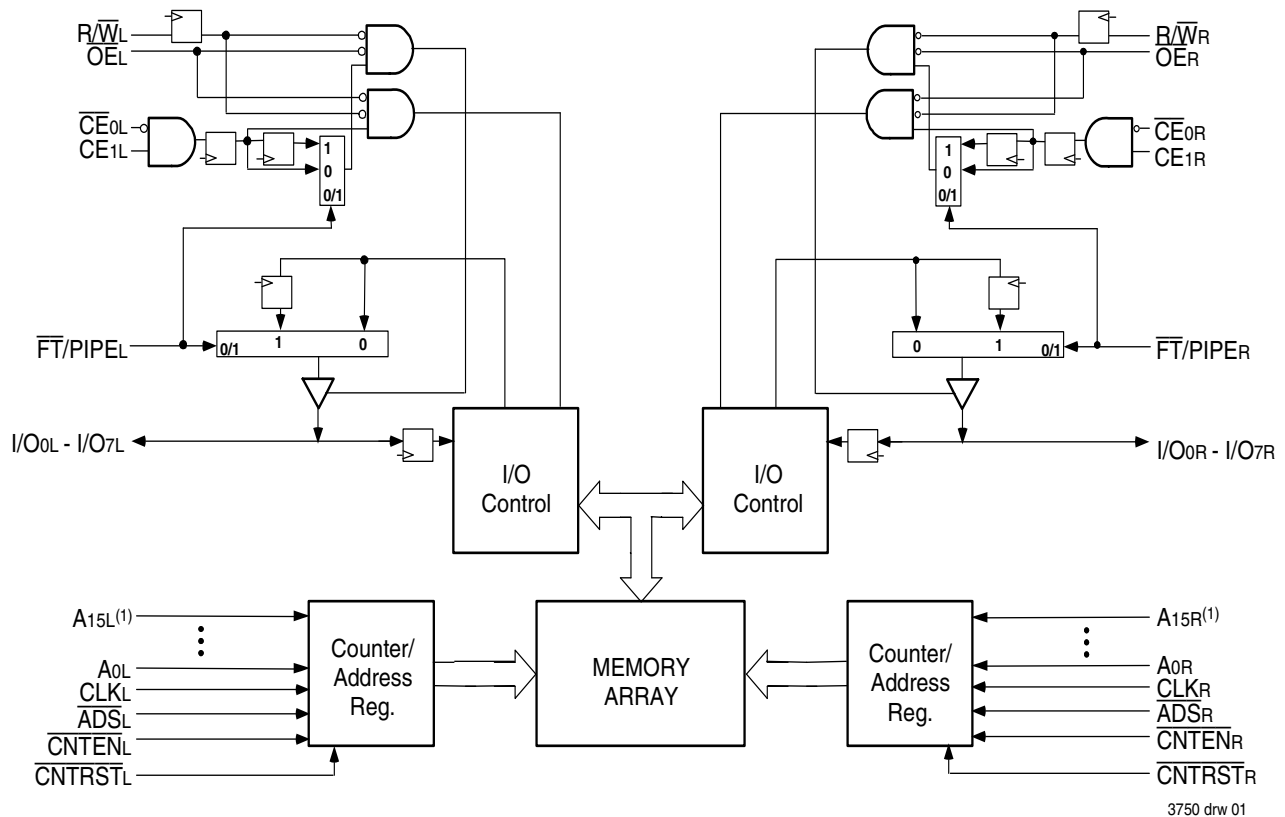


Features:

- ◆ True Dual-Ported memory cells which allow simultaneous access of the same memory location
- ◆ High-speed clock to data access
 - Commercial: 7.5ns (max.)
 - Industrial: 12ns (max.)
- ◆ Low-power operation
 - IDT70V9089/79L
 - Active: 429mW (typ.)
 - Standby: 1.32mW (typ.)
- ◆ Flow-Through or Pipelined output mode on either port via the FT/PIPEL pin
- ◆ Dual chip enables allow for depth expansion without additional logic
- ◆ Counter enable and reset features
- ◆ Full synchronous operation on both ports
 - 4ns setup to clock and 1ns hold on all control, data, and address inputs
 - Data input, address, and control registers
 - Fast 7.5ns clock to data out in the Pipelined output mode
 - Self-timed write allows fast cycle time
 - 12ns cycle time, 83MHz operation in the Pipelined output mode
- ◆ LVTTTL-compatible, single 3.3V ($\pm 0.3V$) power supply
- ◆ Available in a 100 pin Thin Quad Flatpack (TQFP) package
- ◆ Green parts available, see ordering information

Functional Block Diagram



NOTE:

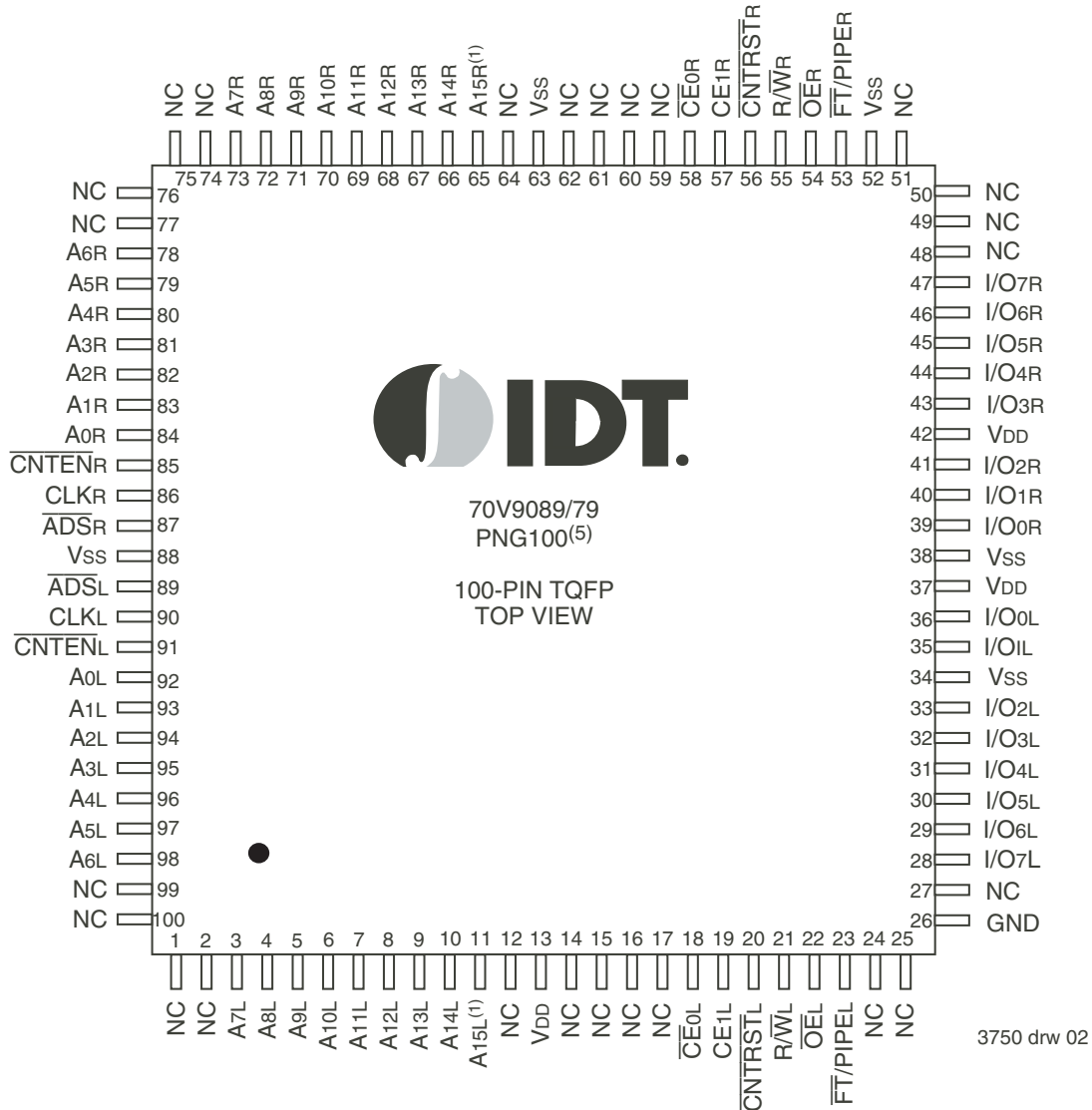
1. A15x is a NC for IDT70V9079.

Description:

The IDT70V9089/79 is a high-speed 64/32K x 8 bit synchronous Dual-Port RAM. The memory array utilizes Dual-Port memory cells to allow simultaneous access of any address from both ports. Registers on control, data, and address inputs provide minimal setup and hold times. The timing latitude provided by this approach allows systems to be designed with very short cycle times.

With an input data register, the IDT70V9089/79 has been optimized for applications having unidirectional or bidirectional data flow in bursts. An automatic power down feature, controlled by $\overline{CE0}$ and $CE1$, permits the on-chip circuitry of each port to enter a very low standby power mode. Fabricated using CMOS high-performance technology, these devices typically operate on only 429mW of power.

Pin Configurations^(2,3,4)



NOTES:

1. A15x is a NC for IDT70V9079.
2. All Vcc pins must be connected to power supply.
3. All GND pins must be connected to ground.
4. Package body is approximately 14mm x 14mm x 1.4mm.
5. This package code is used to reference the package diagram.

Pin Names

Left Port	Right Port	Names
$\overline{CE}0L, CE1L$	$\overline{CE}0R, CE1R$	Chip Enables
$R/\overline{W}L$	$R/\overline{W}R$	Read/Write Enable
$\overline{OE}L$	$\overline{OE}R$	Output Enable
$A0L - A15L^{(1)}$	$A0R - A15R^{(1)}$	Address
$I/O0L - I/O7L$	$I/O0R - I/O7R$	Data Input/Output
$CLKL$	$CLKR$	Clock
\overline{ADSL}	\overline{ADSR}	Address Strobe
\overline{CNTENL}	\overline{CNTENR}	Counter Enable
$\overline{CNTRSTL}$	$\overline{CNTRSTR}$	Counter Reset
$\overline{FT}/PIPEL$	$\overline{FT}/PIPER$	Flow-Through/Pipeline
V_{DD}		Power (3.3V)
V_{SS}		Ground (0V)

3750 tbl 01

NOTE:

1. $A15x$ is a NC for IDT70V9079.
2. \overline{LB} and \overline{UB} are single buffered regardless of state of $\overline{FT}/PIPE$.
3. $\overline{CE}0$ and $CE1$ are single buffered when $\overline{FT}/PIPE = V_{IL}$, $\overline{CE}0$ and $CE1$ are double buffered when $\overline{FT}/PIPE = V_{IH}$, i.e. the signals take two cycles to deselect.

Truth Table I—Read/Write and Enable Control^(1,2,3)

\overline{OE}	CLK	$\overline{CE}0$	$CE1$	R/\overline{W}	I/O ₀₋₇	Mode
X	↑	H	X	X	High-Z	Deselected - Power Down
X	↑	X	L	X	High-Z	Deselected - Power Down
X	↑	L	H	L	DATA _{IN}	Write
L	↑	L	H	H	DATA _{OUT}	Read
H	X	L	H	X	High-Z	Outputs Disabled

3750 tbl 02

NOTES:

1. "H" = V_{IH} , "L" = V_{IL} , "X" = Don't Care.
2. \overline{ADSL} , \overline{CNTEN} , \overline{CNTRST} = X.
3. \overline{OE} is an asynchronous input signal.

Truth Table II—Address Counter Control^(1,2,3)

External Address	Previous Internal Address	Internal Address Used	CLK	\overline{ADSL}	\overline{CNTEN}	\overline{CNTRST}	I/O ⁽³⁾	MODE
A_n	X	A_n	↑	$L^{(4)}$	X	H	$D_{I/O}(n)$	External Address Used
X	A_n	$A_n + 1$	↑	H	$L^{(5)}$	H	$D_{I/O}(n+1)$	Counter Enabled—Internal Address generation
X	$A_n + 1$	$A_n + 1$	↑	H	H	H	$D_{I/O}(n+1)$	External Address Blocked—Counter disabled ($A_n + 1$ reused)
X	X	A_0	↑	X	X	$L^{(4)}$	$D_{I/O}(0)$	Counter Reset to Address 0

3750 tbl 03

NOTES:

1. "H" = V_{IH} , "L" = V_{IL} , "X" = Don't Care.
2. $\overline{CE}0$ and \overline{OE} = V_{IL} ; $CE1$ and R/\overline{W} = V_{IH} .
3. Outputs configured in Flow-Through Output mode: if outputs are in Pipelined mode the data out will be delayed by one cycle.
4. \overline{ADSL} and \overline{CNTRST} are independent of all other signals including $\overline{CE}0$ and $CE1$.
5. The address counter advances if $\overline{CNTEN} = V_{IL}$ on the rising edge of CLK, regardless of all other signals including $\overline{CE}0$ and $CE1$.

Recommended Operating Temperature and Supply Voltage⁽¹⁾

Grade	Ambient Temperature	GND	V _{DD}
Commercial	0°C to +70°C	0V	3.3V ± 0.3V
Industrial	-40°C to +85°C	0V	3.3V ± 0.3V

3750 tbl 04

NOTES:

1. This is the parameter T_A. This is the "instant on" case temperature.

Recommended DC Operating Conditions

Symbol	Parameter	Min.	Typ.	Max.	Unit
V _{DD}	Supply Voltage	3.0	3.3	3.6	V
V _{SS}	Ground	0	0	0	V
V _{IH}	Input High Voltage	2.2	—	V _{DD} + 0.3V ⁽¹⁾	V
V _{IL}	Input Low Voltage	-0.3 ⁽²⁾	—	0.8	V

3750 tbl 05

NOTES:

1. V_{TERM} must not exceed V_{DD} + 0.3V.
2. V_{IL} ≥ -1.5V for pulse width less than 10ns.

Absolute Maximum Ratings⁽¹⁾

Symbol	Rating	Commercial & Industrial	Unit
V _{TERM} ⁽²⁾	Terminal Voltage with Respect to GND	-0.5 to +4.6	V
T _{BIAS}	Temperature Under Bias	-55 to +125	°C
T _{STG}	Storage Temperature	-65 to +150	°C
T _{JN}	Junction Temperature	+150	°C
I _{OUT}	DC Output Current	50	mA

3750 tbl 06

NOTES:

1. Stresses greater than those listed under ABSOLUTE MAXIMUM RATINGS may cause permanent damage to the device. This is a stress rating only and functional operation of the device at these or any other conditions above those indicated in the operational sections of this specification is not implied. Exposure to absolute maximum rating conditions for extended periods may affect reliability.
2. V_{TERM} must not exceed V_{DD} + 0.3V for more than 25% of the cycle time or 10ns maximum, and is limited to ≤ 20mA for the period of V_{TERM} ≥ V_{DD} + 0.3V.
3. Ambient Temperature Under Bias. Chip Deselected.

Capacitance (T_A = +25°C, f = 1.0MHz)

Symbol	Parameter ⁽¹⁾	Conditions ⁽²⁾	Max.	Unit
C _{IN}	Input Capacitance	V _{IN} = 3dV	9	pF
C _{OUT} ⁽³⁾	Output Capacitance	V _{OUT} = 3dV	10	pF

3750 tbl 07

NOTES:

1. These parameters are determined by device characterization, but are not production tested.
2. 3dV references the interpolated capacitance when the input and output switch from 0V to 3V or from 3V to 0V.
3. C_{OUT} also references C_{I/O}.

DC Electrical Characteristics Over the Operating Temperature and Supply Voltage Range ($V_{DD} = 3.3V \pm 0.3V$)

Symbol	Parameter	Test Conditions	70V9089/79S		70V9089/79L		Unit
			Min.	Max.	Min.	Max.	
$ I_{Li} $	Input Leakage Current ⁽¹⁾	$V_{DD} = 3.3V, V_{IN} = 0V$ to V_{DD}	—	10	—	5	μA
$ I_{Lo} $	Output Leakage Current	$\overline{CE}_0 = V_{IH}$ or $CE_1 = V_{IL}, V_{OUT} = 0V$ to V_{DD}	—	10	—	5	μA
V_{OL}	Output Low Voltage	$I_{OL} = +4mA$	—	0.4	—	0.4	V
V_{OH}	Output High Voltage	$I_{OH} = -4mA$	2.4	—	2.4	—	V

NOTE:

1. At $V_{DD} \leq 2.0V$ input leakages are undefined.

3750 tbl 08

DC Electrical Characteristics Over the Operating Temperature and Supply Voltage Range⁽⁶⁾ ($V_{DD} = 3.3V \pm 0.3V$)

Symbol	Parameter	Test Condition	Version	70V9089/79X6 Com'l Only		70V9089/79X7 Com'l Only		70V9089/79X9 Com'l Only		Unit	
				Typ. ⁽⁴⁾	Max.	Typ. ⁽⁴⁾	Max.	Typ. ⁽⁴⁾	Max.		
I_{CC}	Dynamic Operating Current (Both Ports Active)	\overline{CE}_L and $\overline{CE}_R = V_{IL}$ Outputs Disabled $f = f_{MAX}^{(1)}$	COM'L	S	220	395	200	335	180	260	mA
				L	220	350	200	290	180	225	
ISB1	Standby Current (Both Ports - TTL Level Inputs)	\overline{CE}_L and $\overline{CE}_R = V_{IH}$ $f = f_{MAX}^{(1)}$	COM'L	S	70	145	60	115	50	75	mA
				L	70	130	60	100	50	65	
ISB2	Standby Current (One Port - TTL Level Inputs)	$\overline{CE}^{*A} = V_{IL}$ and $\overline{CE}^{*B} = V_{IH}^{(3)}$ Active Port Outputs Disabled, $f = f_{MAX}^{(1)}$	COM'L	S	150	280	130	240	110	170	mA
				L	150	250	130	210	110	150	
ISB3	Full Standby Current (Both Ports - CMOS Level Inputs)	Both Ports \overline{CE}_R and $\overline{CE}_L \geq V_{DD} - 0.2V$ $V_{IN} \geq V_{DD} - 0.2V$ or $V_{IN} \leq 0.2V, f = 0^{(2)}$	COM'L	S	1.0	5	1.0	5	1.0	5	mA
				L	0.4	3	0.4	3	0.4	3	
ISB4	Full Standby Current (One Port - CMOS Level Inputs)	$\overline{CE}^{*A} \leq 0.2V$ and $\overline{CE}^{*B} \geq V_{DD} - 0.2V^{(6)}$ $V_{IN} \geq V_{DD} - 0.2V$ or $V_{IN} \leq 0.2V$, Active Port Outputs Disabled, $f = f_{MAX}^{(1)}$	COM'L	S	140	270	120	230	100	160	mA
				L	140	240	120	200	100	140	
			IND	S	—	—	—	—	—	—	
				L	—	—	—	—	—	—	

3750 tbl 09a

NOTES:

- At $f = f_{MAX}$, address and control lines (except Output Enable) are cycling at the maximum frequency clock cycle of $1/t_{cvc}$, using "AC TEST CONDITIONS" at input levels of GND to 3V.
- $f = 0$ means no address, clock, or control lines change. Applies only to input at CMOS level standby.
- Port "A" may be either left or right port. Port "B" is the opposite from port "A".
- $V_{DD} = 3.3V, TA = 25^\circ C$ for Typ, and are not production tested. $I_{CC DC}(f=0) = 90mA$ (Typ).
- $\overline{CE}_X = V_{IL}$ means $\overline{CE}_{0X} = V_{IL}$ and $CE_{1X} = V_{IH}$
 $\overline{CE}_X = V_{IH}$ means $\overline{CE}_{0X} = V_{IH}$ or $CE_{1X} = V_{IL}$
 $\overline{CE}_X \leq 0.2V$ means $\overline{CE}_{0X} \leq 0.2V$ and $CE_{1X} \geq V_{DD} - 0.2V$
 $\overline{CE}_X \geq V_{DD} - 0.2V$ means $\overline{CE}_{0X} \geq V_{DD} - 0.2V$ or $CE_{1X} \leq 0.2V$
 "X" represents "L" for left port or "R" for right port.
- 'X' in part number indicates power rating (S or L).

DC Electrical Characteristics Over the Operating Temperature and Supply Voltage Range⁽⁶⁾ ($V_{DD} = 3.3V \pm 0.3V$)(Cont'd)

Symbol	Parameter	Test Condition	Version	70V9089/79X12 Com'l & Ind		70V9089/79X15 Com'l Only		Unit	
				Typ. ⁽⁴⁾	Max.	Typ. ⁽⁴⁾	Max.		
I _{CC}	Dynamic Operating Current (Both Ports Active)	\overline{CE}_L and $\overline{CE}_R = V_{IL}$ Outputs Disabled $f = f_{MAX}^{(1)}$	COM'L	S	150	240	130	220	mA
				L	150	215	130	185	
I _{SB1}	Standby Current (Both Ports - TTL Level Inputs)	\overline{CE}_L and $\overline{CE}_R = V_{IH}$ $f = f_{MAX}^{(1)}$	COM'L	S	40	65	30	55	mA
				L	40	60	30	35	
I _{SB2}	Standby Current (One Port - TTL Level Inputs)	$\overline{CE}^{*A} = V_{IL}$ and $\overline{CE}^{*B} = V_{IH}^{(3)}$ Active Port Outputs Disabled, $f = f_{MAX}^{(1)}$	COM'L	S	100	160	90	150	mA
				L	100	140	90	130	
I _{SB3}	Full Standby Current (Both Ports - CMOS Level Inputs)	Both Ports \overline{CE}_R and $\overline{CE}_L \geq V_{DD} - 0.2V$ $V_{IN} \geq V_{DD} - 0.2V$ or $V_{IN} \leq 0.2V, f = 0^{(2)}$	COM'L	S	1.0	5	1.0	5	mA
				L	0.4	3	0.4	3	
I _{SB4}	Full Standby Current (One Port - CMOS Level Inputs)	$\overline{CE}^{*A} \leq 0.2V$ and $\overline{CE}^{*B} \geq V_{DD} - 0.2V^{(5)}$ $V_{IN} \geq V_{DD} - 0.2V$ or $V_{IN} \leq 0.2V$, Active Port Outputs Disabled, $f = f_{MAX}^{(1)}$	COM'L	S	90	150	80	140	mA
				L	90	130	80	120	
			IND	S	—	—	—		
				L	100	150	—	—	
			IND	S	—	—	—		
				L	0.4	3	—	—	
			IND	S	—	—	—		
				L	0.4	3	—	—	
			IND	S	—	—	—		
				L	90	140	—	—	

3750 tbl 09b

NOTES:

- At $f = f_{MAX}$, address and control lines (except Output Enable) are cycling at the maximum frequency clock cycle of $1/t_{cyc}$, using "AC TEST CONDITIONS" at input levels of GND to 3V.
- $f = 0$ means no address, clock, or control lines change. Applies only to input at CMOS level standby.
- Port "A" may be either left or right port. Port "B" is the opposite from port "A".
- $V_{DD} = 3.3V, TA = 25^{\circ}C$ for Typ, and are not production tested. $I_{CC} DC(f=0) = 90mA$ (Typ).
- $\overline{CE}_X = V_{IL}$ means $\overline{CE}_{0X} = V_{IL}$ and $CE_{1X} = V_{IH}$
 $\overline{CE}_X = V_{IH}$ means $\overline{CE}_{0X} = V_{IH}$ or $CE_{1X} = V_{IL}$
 $\overline{CE}_X \leq 0.2V$ means $\overline{CE}_{0X} \leq 0.2V$ and $CE_{1X} \geq V_{DD} - 0.2V$
 $\overline{CE}_X \geq V_{DD} - 0.2V$ means $\overline{CE}_{0X} \geq V_{DD} - 0.2V$ or $CE_{1X} \leq 0.2V$
 "X" represents "L" for left port or "R" for right port.
- 'X' in part number indicates power rating (S or L).

AC Test Conditions

Input Pulse Levels	GND to 3.0V
Input Rise/Fall Times	3ns Max.
Input Timing Reference Levels	1.5V
Output Reference Levels	1.5V
Output Load	Figures 1,2 and 3

3750 tbl 10

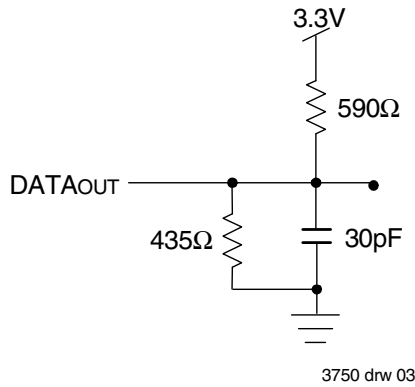


Figure 1. AC Output Test load.

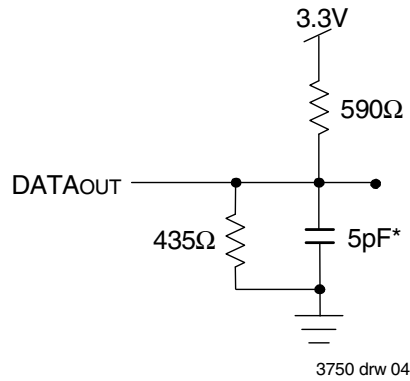


Figure 2. Output Test Load
(For tCKLZ, tCKHZ, tOLZ, and tOHZ).
*Including scope and jig.

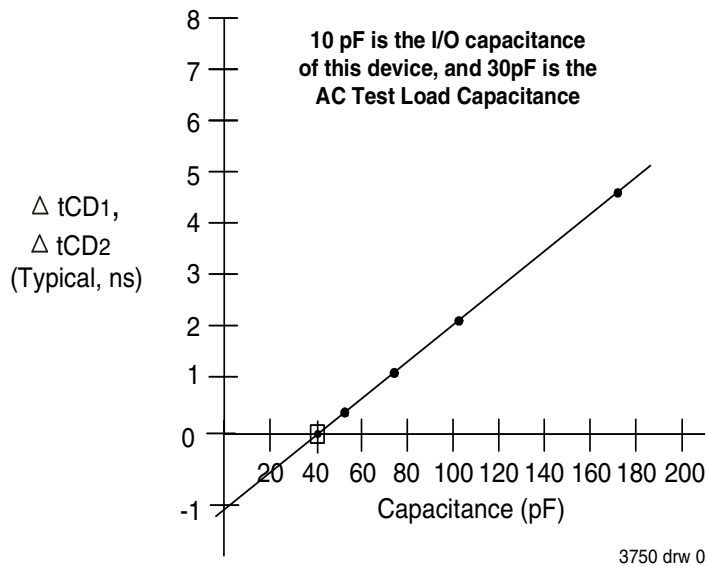


Figure 3. Typical Output Derating (Lumped Capacitive Load).

AC Electrical Characteristics Over the Operating Temperature Range
(Read and Write Cycle Timing)^(3,4) ($V_{DD} = 3.3V \pm 0.3$, $T_A = 0^\circ C$ to $+70^\circ C$)

Symbol	Parameter	70V9089/79X6 Com'l Only		70V9089/79X7 Com'l Only		70V9089/79X9 Com'l Only		Unit
		Min.	Max.	Min.	Max.	Min.	Max.	
t _{CYC1}	Clock Cycle Time (Flow-Through) ⁽²⁾	19	—	22	—	25	—	ns
t _{CYC2}	Clock Cycle Time (Pipelined) ⁽²⁾	10	—	12	—	15	—	ns
t _{CH1}	Clock High Time (Flow-Through) ⁽²⁾	6.5	—	7.5	—	12	—	ns
t _{CL1}	Clock Low Time (Flow-Through) ⁽²⁾	6.5	—	7.5	—	12	—	ns
t _{CH2}	Clock High Time (Pipelined) ⁽²⁾	4	—	5	—	6	—	ns
t _{CL2}	Clock Low Time (Pipelined) ⁽²⁾	4	—	5	—	6	—	ns
t _R	Clock Rise Time	—	3	—	3	—	3	ns
t _F	Clock Fall Time	—	3	—	3	—	3	ns
t _{SA}	Address Setup Time	3.5	—	4	—	4	—	ns
t _{HA}	Address Hold Time	0	—	0	—	1	—	ns
t _{SC}	Chip Enable Setup Time	3.5	—	4	—	4	—	ns
t _{HC}	Chip Enable Hold Time	0	—	0	—	1	—	ns
t _{SW}	R/W Setup Time	3.5	—	4	—	4	—	ns
t _{HW}	R/W Hold Time	0	—	0	—	1	—	ns
t _{SD}	Input Data Setup Time	3.5	—	4	—	4	—	ns
t _{HD}	Input Data Hold Time	0	—	0	—	1	—	ns
t _{SAD}	\overline{ADS} Setup Time	3.5	—	4	—	4	—	ns
t _{HAD}	\overline{ADS} Hold Time	0	—	0	—	1	—	ns
t _{SCN}	\overline{CNTEN} Setup Time	3.5	—	4	—	4	—	ns
t _{HCN}	\overline{CNTEN} Hold Time	0	—	0	—	1	—	ns
t _{SRST}	\overline{CNTRST} Setup Time	3.5	—	4	—	4	—	ns
t _{HRST}	\overline{CNTRST} Hold Time	0	—	0	—	1	—	ns
t _{OE}	Output Enable to Data Valid	—	6.5	—	7.5	—	9	ns
t _{OLZ}	Output Enable to Output Low-Z ⁽¹⁾	2	—	2	—	2	—	ns
t _{OHZ}	Output Enable to Output High-Z ⁽¹⁾	1	7	1	7	1	7	ns
t _{CD1}	Clock to Data Valid (Flow-Through) ⁽²⁾	—	15	—	18	—	20	ns
t _{CD2}	Clock to Data Valid (Pipelined) ⁽²⁾	—	6.5	—	7.5	—	9	ns
t _{DC}	Data Output Hold After Clock High	2	—	2	—	2	—	ns
t _{CKHZ}	Clock High to Output High-Z ⁽¹⁾	2	9	2	9	2	9	ns
t _{CKLZ}	Clock High to Output Low-Z ⁽¹⁾	2	—	2	—	2	—	ns
Port-to-Port Delay								
t _{CWDD}	Write Port Clock High to Read Data Delay	—	24	—	28	—	35	ns
t _{CCS}	Clock-to-Clock Setup Time	—	9	—	10	—	15	ns

3750 tbl 11a

NOTES:

1. Transition is measured 0mV from Low or High-impedance voltage with the Output Test Load (Figure 2). This parameter is guaranteed by device characterization, but is not production tested.
2. The Pipelined output parameters (t_{CYC2}, t_{CD2}) apply to either or both left and right ports when $\overline{FT}/PIPE = V_{IH}$. Flow-through parameters (t_{CYC1}, t_{CD1}) apply when $\overline{FT}/PIPE = V_{IL}$ for that port.
3. All input signals are synchronous with respect to the clock except for the asynchronous Output Enable (\overline{OE}) and $\overline{FT}/PIPE$. $\overline{FT}/PIPE$ should be treated as a DC signal, i.e. steady state during operation.
4. 'X' in part number indicates power rating (S or L).

AC Electrical Characteristics Over the Operating Temperature Range (Read and Write Cycle Timing)^(3,4) ($V_{DD} = 3.3V \pm 0.3$)

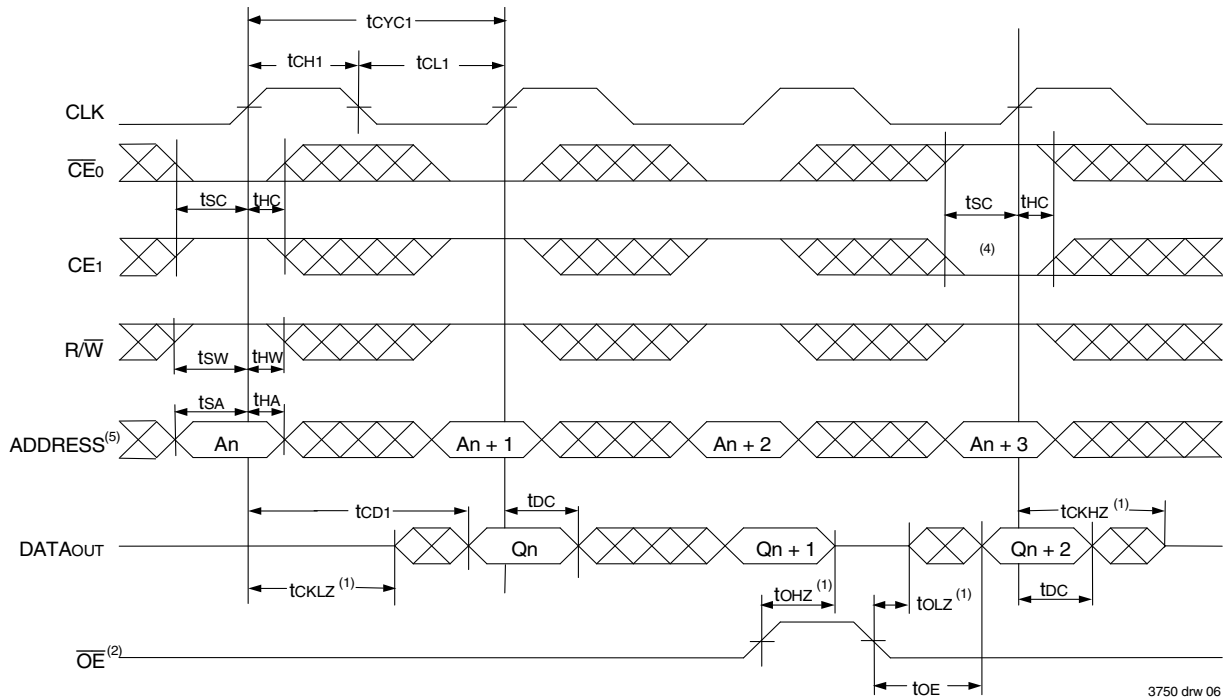
Symbol	Parameter	70V9089/79X12 Com'l & Ind		70V908979X15 Com'l Only		Unit
		Min.	Max.	Min.	Max.	
t _{CYC1}	Clock Cycle Time (Flow-Through) ⁽²⁾	30	—	35	—	ns
t _{CYC2}	Clock Cycle Time (Pipelined) ⁽²⁾	20	—	25	—	ns
t _{CH1}	Clock High Time (Flow-Through) ⁽²⁾	12	—	12	—	ns
t _{CL1}	Clock Low Time (Flow-Through) ⁽²⁾	12	—	12	—	ns
t _{CH2}	Clock High Time (Pipelined) ⁽²⁾	8	—	10	—	ns
t _{CL2}	Clock Low Time (Pipelined) ⁽²⁾	8	—	10	—	ns
t _R	Clock Rise Time	—	3	—	3	ns
t _F	Clock Fall Time	—	3	—	3	ns
t _{SA}	Address Setup Time	4	—	4	—	ns
t _{HA}	Address Hold Time	1	—	1	—	ns
t _{SC}	Chip Enable Setup Time	4	—	4	—	ns
t _{HC}	Chip Enable Hold Time	1	—	1	—	ns
t _{SW}	R/W Setup Time	4	—	4	—	ns
t _{HW}	R/W Hold Time	1	—	1	—	ns
t _{SD}	Input Data Setup Time	4	—	4	—	ns
t _{HD}	Input Data Hold Time	1	—	1	—	ns
t _{SAD}	\overline{ADS} Setup Time	4	—	4	—	ns
t _{HAD}	\overline{ADS} Hold Time	1	—	1	—	ns
t _{SCN}	\overline{CNTEN} Setup Time	4	—	4	—	ns
t _{HCN}	\overline{CNTEN} Hold Time	1	—	1	—	ns
t _{SRST}	\overline{CNTRST} Setup Time	4	—	4	—	ns
t _{HRST}	\overline{CNTRST} Hold Time	1	—	1	—	ns
t _{OE}	Output Enable to Data Valid	—	12	—	15	ns
t _{OLZ}	Output Enable to Output Low-Z ⁽¹⁾	2	—	2	—	ns
t _{OHZ}	Output Enable to Output High-Z ⁽¹⁾	1	7	1	7	ns
t _{CD1}	Clock to Data Valid (Flow-Through) ⁽²⁾	—	25	—	30	ns
t _{CD2}	Clock to Data Valid (Pipelined) ⁽²⁾	—	12	—	15	ns
t _{DC}	Data Output Hold After Clock High	2	—	2	—	ns
t _{CKHZ}	Clock High to Output High-Z ⁽¹⁾	2	9	2	9	ns
t _{CKLZ}	Clock High to Output Low-Z ⁽¹⁾	2	—	2	—	ns
Port-to-Port Delay						
t _{CWDD}	Write Port Clock High to Read Data Delay	—	40	—	50	ns
t _{CCS}	Clock-to-Clock Setup Time	—	15	—	20	ns

3750 tbl 11b

NOTES:

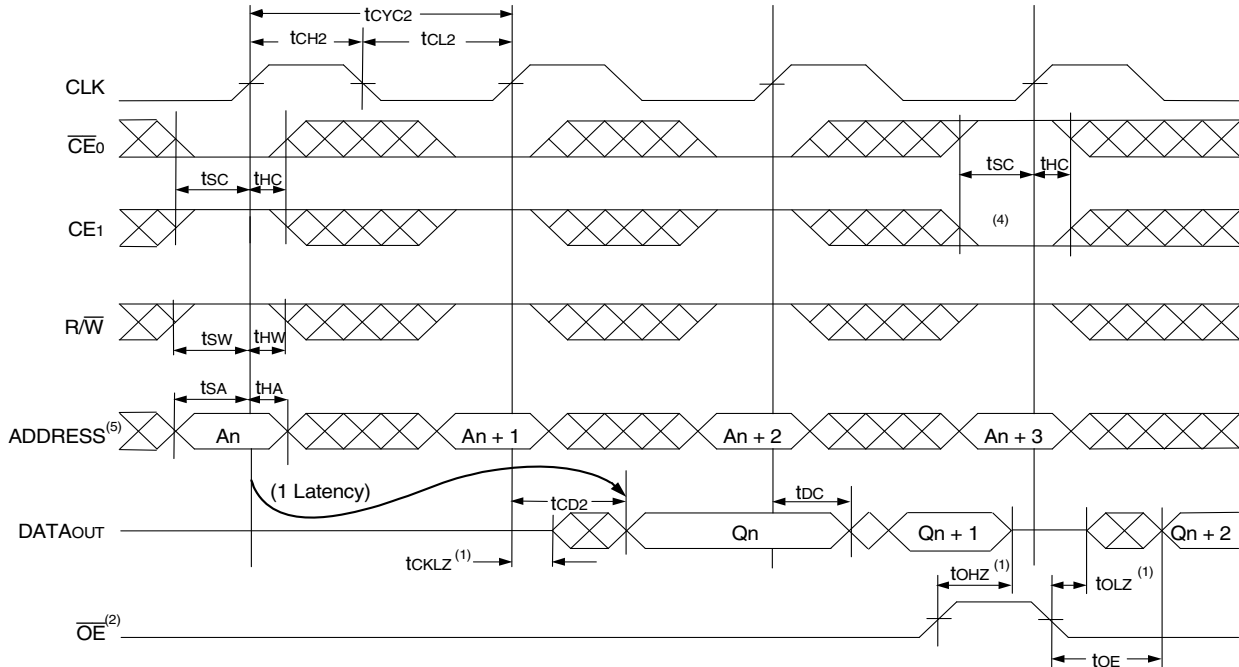
- Transition is measured 0mV from Low or High-impedance voltage with the Output Test Load (Figure 2). This parameter is guaranteed by device characterization, but is not production tested.
- The Pipelined output parameters (t_{CYC2}, t_{CD2}) apply to either or both left and right ports when $\overline{FT}/PIPE = V_{IH}$. Flow-through parameters (t_{CYC1}, t_{CD1}) apply when $\overline{FT}/PIPE = V_{IL}$ for that port.
- All input signals are synchronous with respect to the clock except for the asynchronous Output Enable (\overline{OE}) and $\overline{FT}/PIPE$. $\overline{FT}/PIPE$ should be treated as a DC signal, i.e. steady state during operation.
- 'X' in part number indicates power rating (S or L).

Timing Waveform of Read Cycle for Flow-Through Output ($\overline{FT}/\text{PIPE}^{\text{"x"}} = V_{IL}$)^(3,6)



3750 drw 06

Timing Waveform of Read Cycle for Pipelined Output ($\overline{FT}/\text{PIPE}^{\text{"x"}} = V_{IH}$)^(3,6)

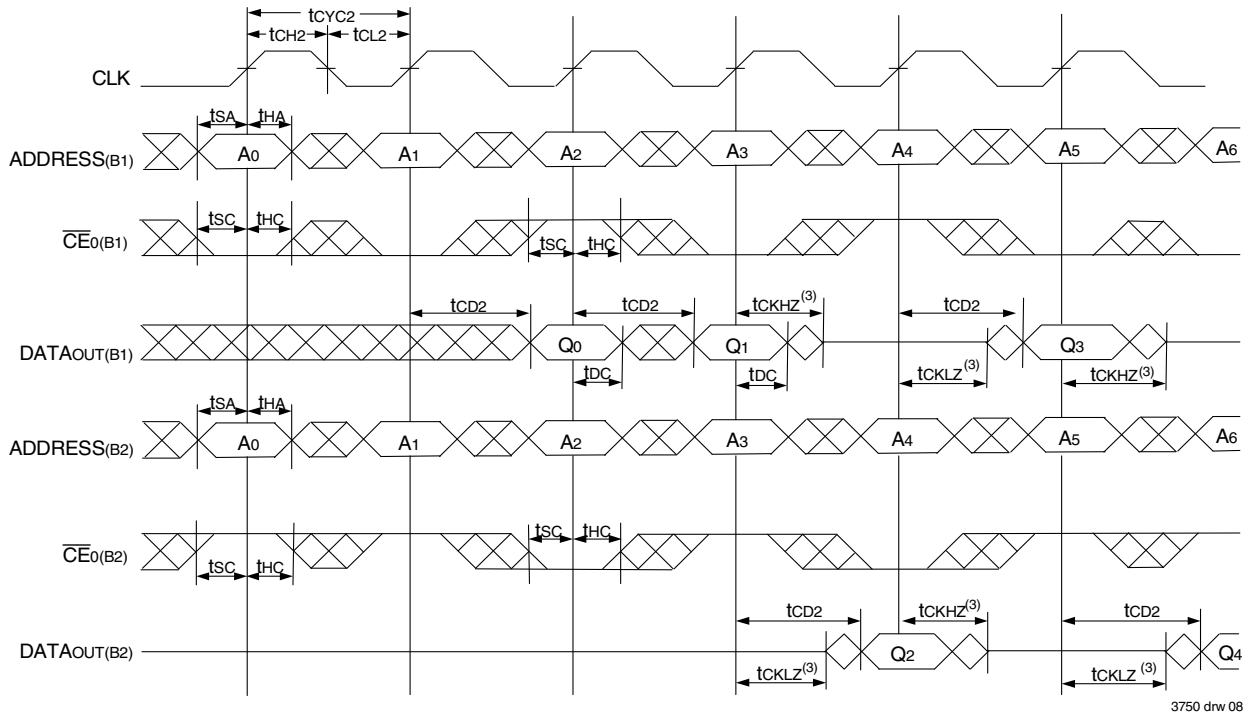


3750 drw 07

NOTES:

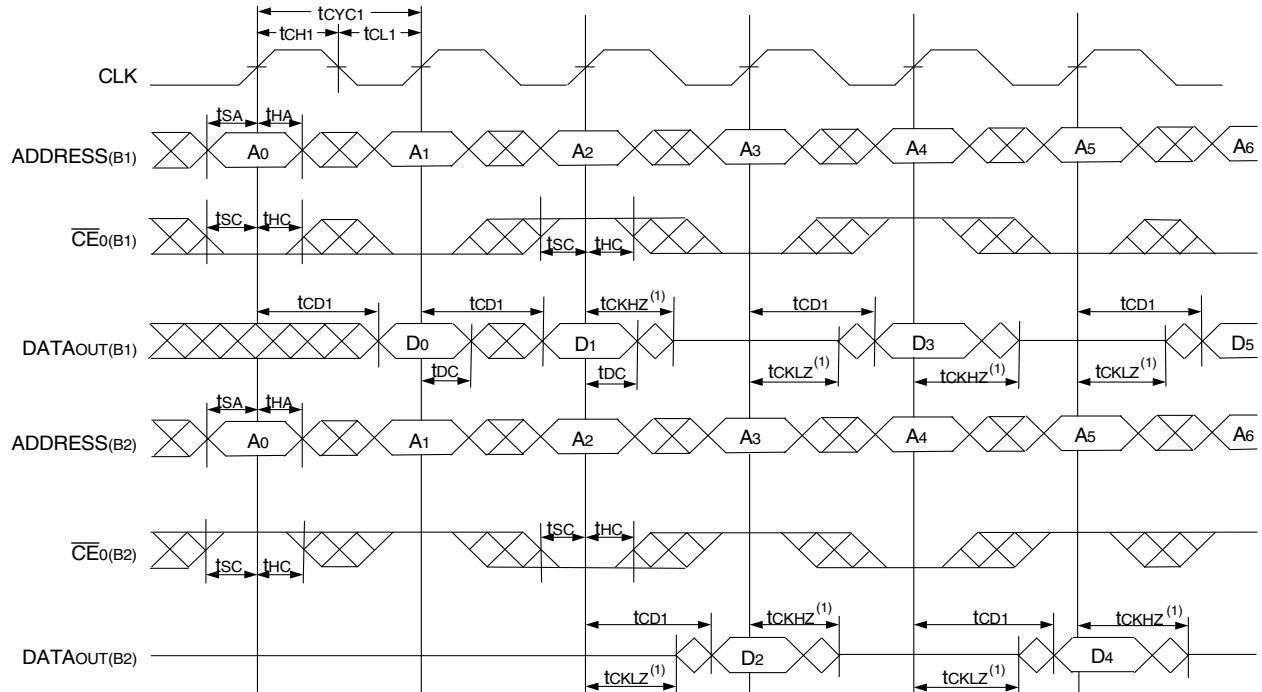
1. Transition is measured 0mV from Low or High-impedance voltage with the Output Test Load (Figure 2).
2. \overline{OE} is asynchronously controlled; all other inputs are synchronous to the rising clock edge.
3. $\overline{ADS} = V_{IL}$ and $\overline{CNTRST} = V_{IH}$.
4. The output is disabled (High-impedance state) by $\overline{CE0} = V_{IH}$ or $CE1 = V_{IL}$ following the next rising edge of clock. Refer to Truth Table 1.
5. Addresses do not have to be accessed sequentially since $\overline{ADS} = V_{IL}$ constantly loads the address on the rising edge of the CLK; numbers are for reference use only.
6. "x" denotes Left or Right port. The diagram is with respect to that port.

Timing Waveform of a Bank Select Pipelined Read^(1,2)



3750 drw 08

Timing Waveform of a Bank Select Flow-Through Read⁽⁶⁾

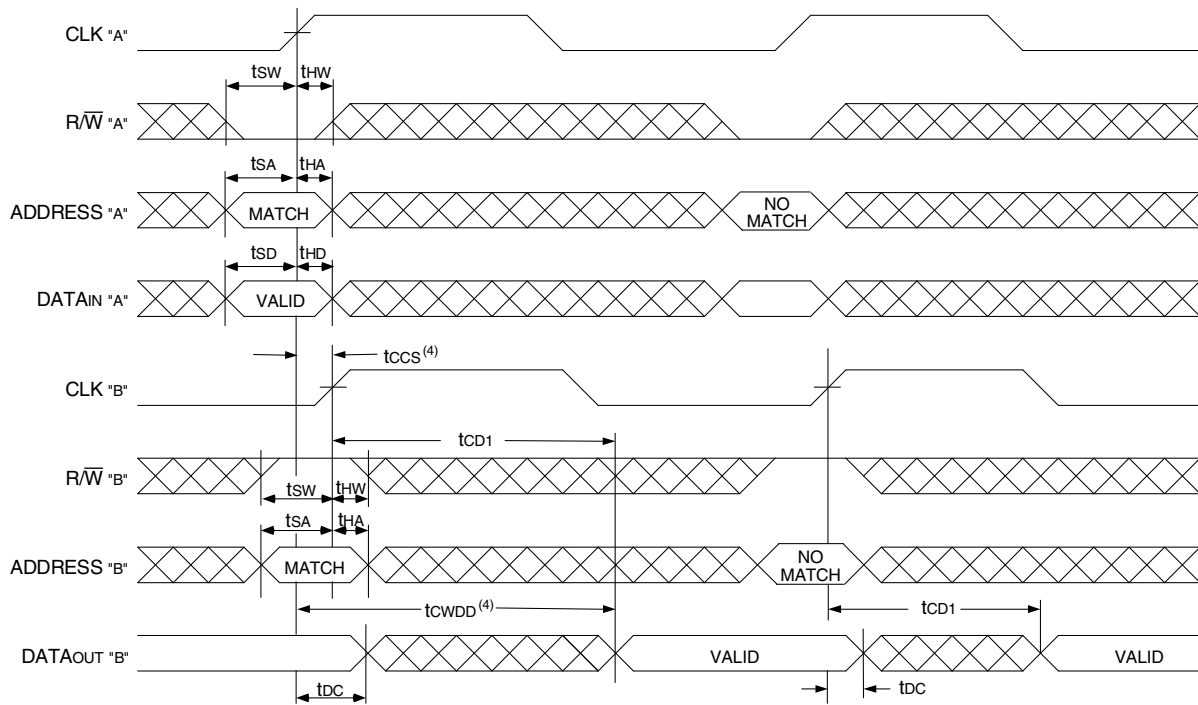


3750 drw 08a

NOTES:

1. B1 Represents Bank #1; B2 Represents Bank #2. Each Bank consists of one IDT70V9089/79 for this waveform, and are setup for depth expansion in this example. ADDRESS(B1) = ADDRESS(B2) in this situation.
2. \overline{OE} and $\overline{ADS} = V_{IL}$; $CE1(B1)$, $CE1(B2)$, R/\overline{W} and $CNTRST = V_{IH}$.
3. Transition is measured 0mV from Low or High-impedance voltage with the Output Test Load (Figure 2).
4. $\overline{CE0}$ and $\overline{ADS} = V_{IL}$; $CE1$ and $CNTRST = V_{IH}$.
5. $\overline{OE} = V_{IL}$ for the Right Port, which is being read from. $\overline{OE} = V_{IH}$ for the Left Port, which is being written to.
6. If $t_{CCS} \leq$ maximum specified, then data from right port READ is not valid until the maximum specified for $tcwdd$. If $t_{CCS} >$ maximum specified, then data from right port READ is not valid until $t_{CCS} + t_{CD1}$. $tcwdd$ does not apply in this case.

Timing Waveform Port-to-Port Flow-Through Read^(1,2,3,5)

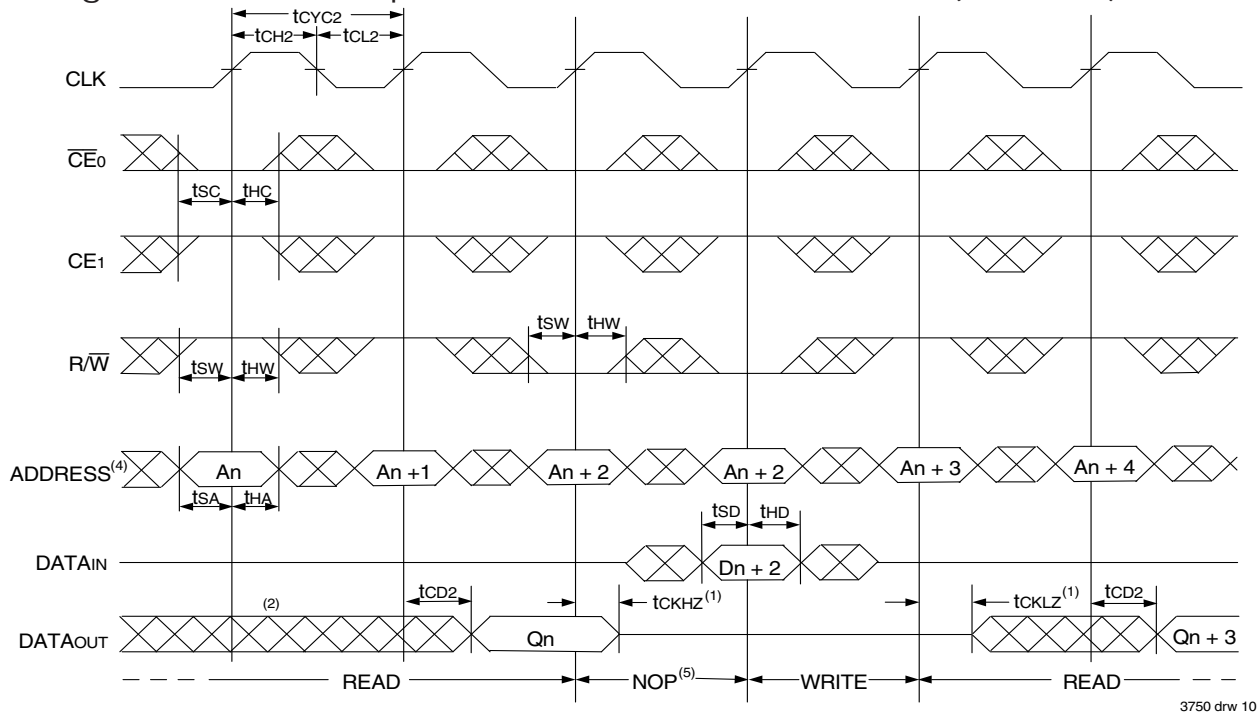


3750 drw 09

NOTES:

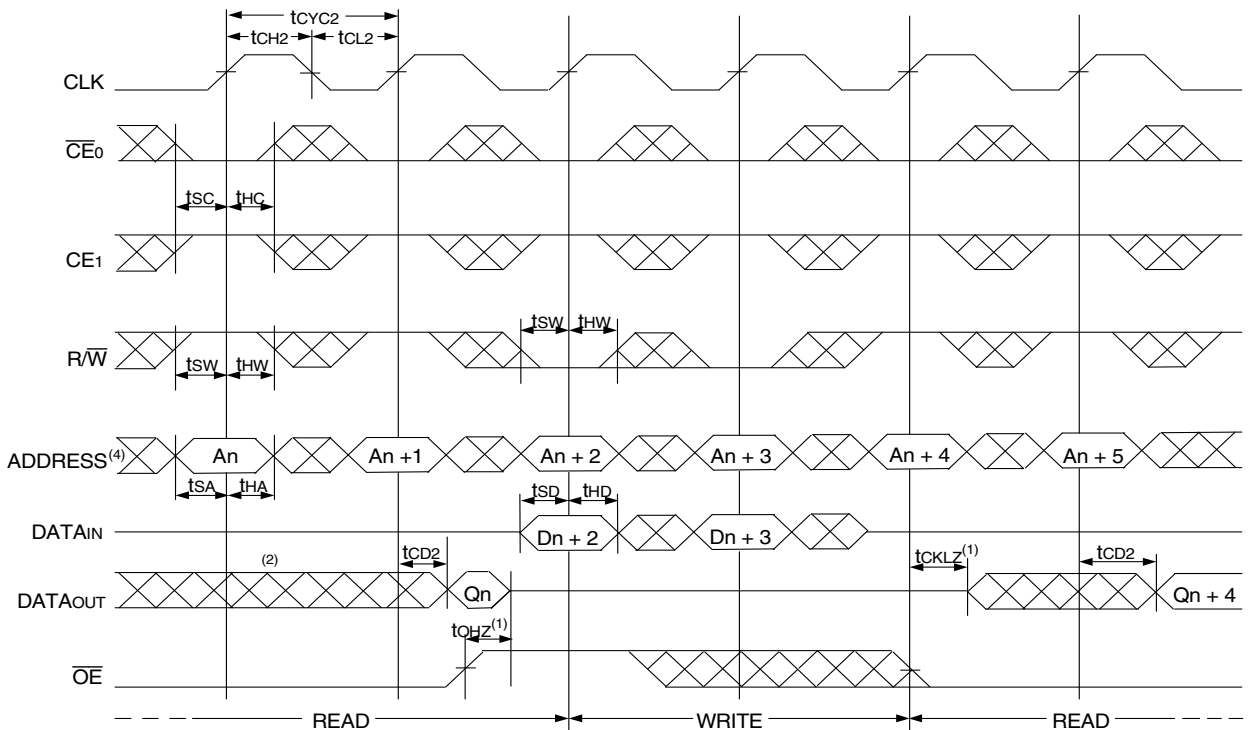
1. Transition is measured 0mV from Low or High-impedance voltage with the Output Test Load (Figure 2).
2. \overline{CE}_0 and $\overline{ADS} = V_{IL}$; CE_1 and $\overline{CNTRST} = V_{IH}$.
3. $\overline{OE} = V_{IL}$ for the Port "B", which is being read from. $\overline{OE} = V_{IH}$ for the Port "A", which is being written to.
4. If $t_{ccs} \leq$ maximum specified, then data from right port READ is not valid until the maximum specified for t_{cwdd} .
If $t_{ccs} >$ maximum specified, then data from right port READ is not valid until $t_{ccs} + t_{cd1}$. t_{cwdd} does not apply in this case.
5. All timing is the same for both left and right ports. Port "A" may be either left or right port. Port "B" is the opposite of Port "A".

Timing Waveform of Pipelined Read-to-Write-to-Read ($\overline{OE} = V_{IL}$)⁽³⁾



3750 drw 10

Timing Waveform of Pipelined Read-to-Write-to-Read (\overline{OE} Controlled)⁽³⁾

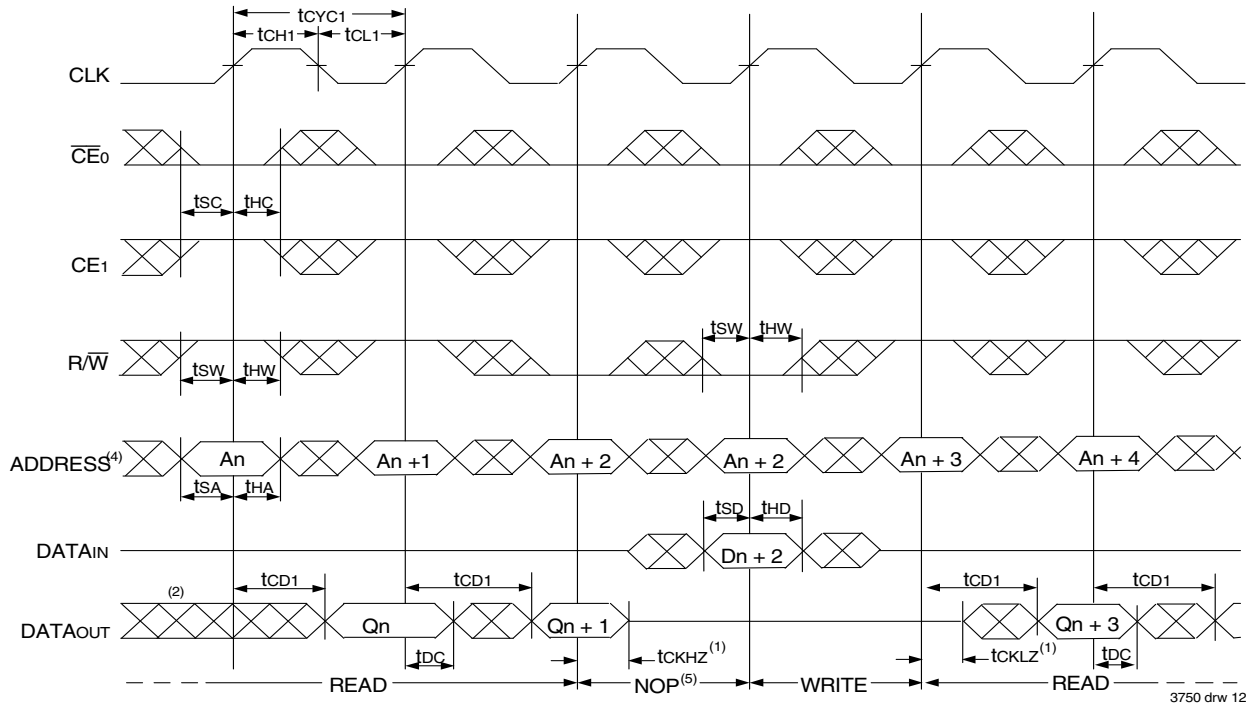


3750 drw 11

NOTES:

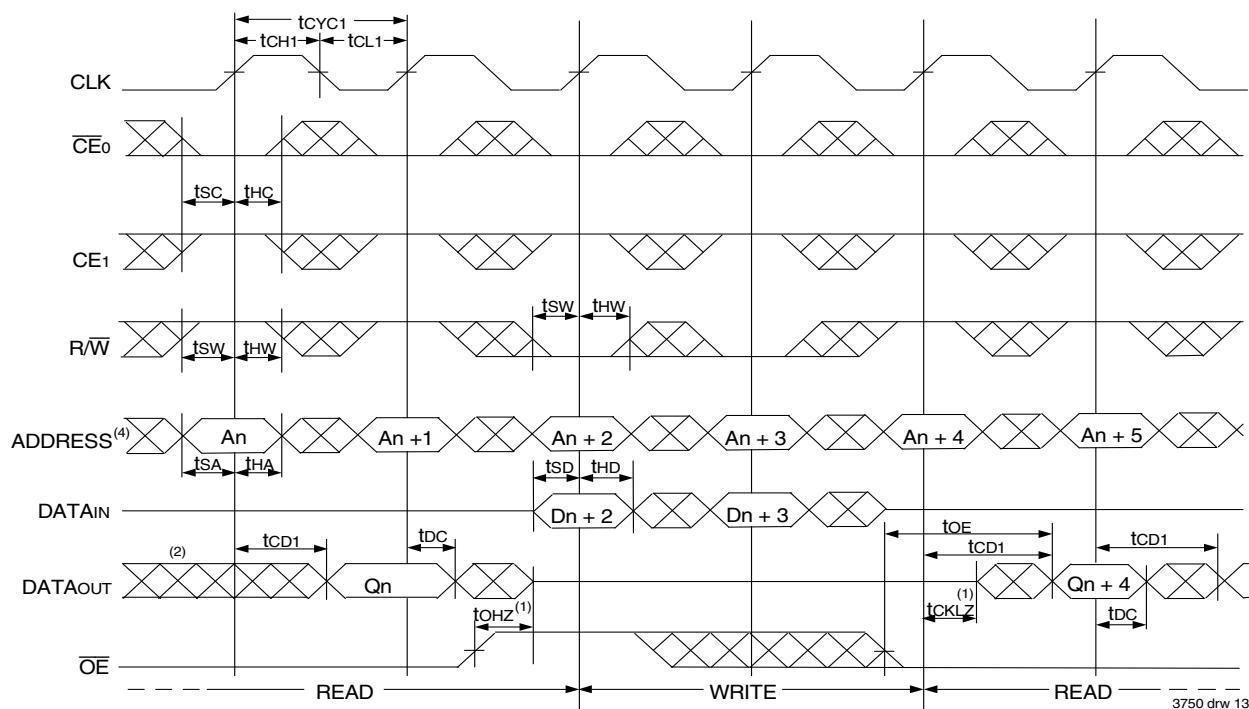
1. Transition is measured 0mV from Low or High-impedance voltage with the Output Test Load (Figure 2).
2. Output state (High, Low, or High-impedance) is determined by the previous cycle control signals.
3. $\overline{CE0}$ and $\overline{ADS} = V_{IL}$; $CE1$ and $\overline{CNTRST} = V_{IH}$.
4. Addresses do not have to be accessed sequentially since $\overline{ADS} = V_{IL}$ constantly loads the address on the rising edge of the CLK; numbers are for reference use only.
5. "NOP" is "No Operation." Data in memory at the selected address may be corrupted and should be rewritten to guarantee data integrity.

Timing Waveform of Flow-Through Read-to-Write-to-Read ($\overline{OE} = V_{IL}$)⁽³⁾



3750 drw 12

Timing Waveform of Flow-Through Read-to-Write-to-Read (\overline{OE} Controlled)⁽³⁾

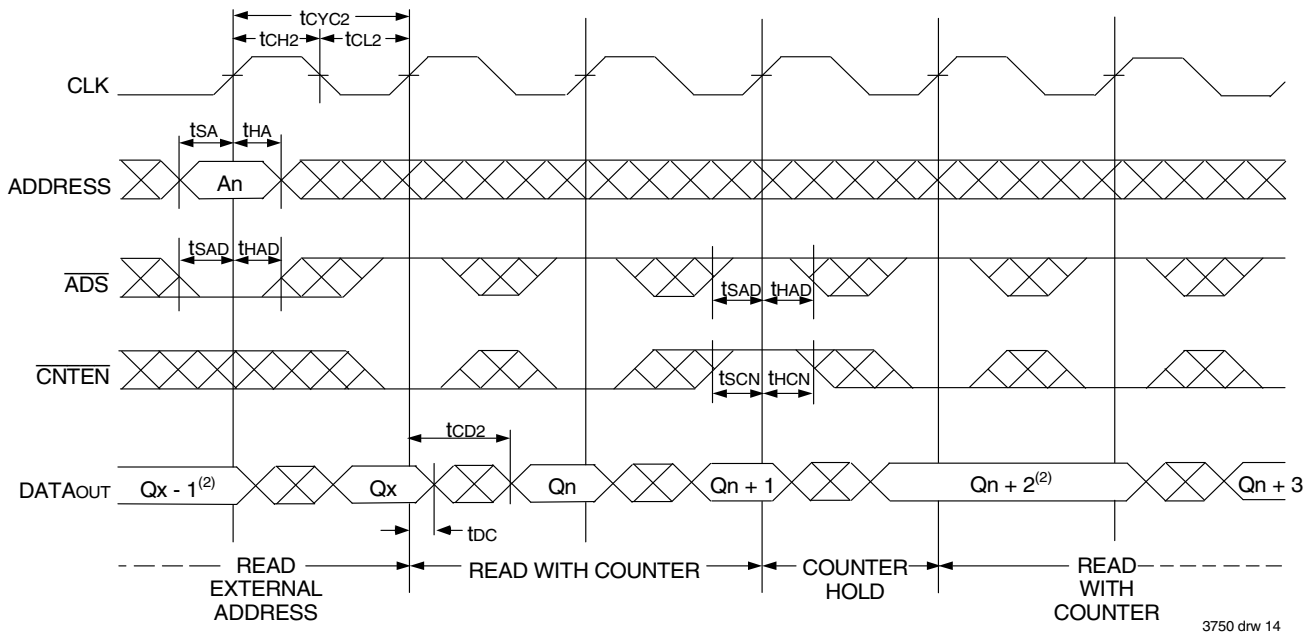


3750 drw 13

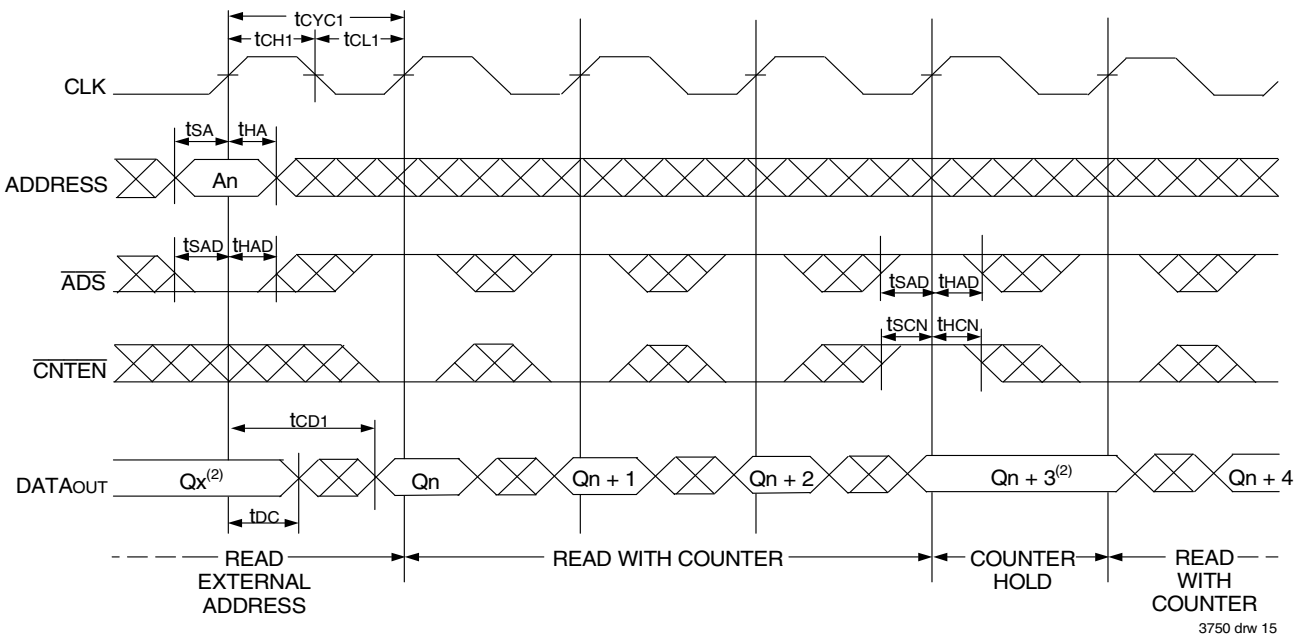
NOTES:

1. Transition is measured 0mV from Low or High-impedance voltage with the Output Test Load (Figure 2).
2. Output state (High, Low, or High-impedance) is determined by the previous cycle control signals.
3. $\overline{CE0}$ and $\overline{ADS} = V_{IL}$; $CE1$ and $\overline{CNTRST} = V_{IH}$.
4. Addresses do not have to be accessed sequentially since $\overline{ADS} = V_{IL}$ constantly loads the address on the rising edge of the CLK; numbers are for reference use only.
5. "NOP" is "No Operation." Data in memory at the selected address may be corrupted and should be rewritten to guarantee data integrity.

Timing Waveform of Pipelined Read with Address Counter Advance⁽¹⁾



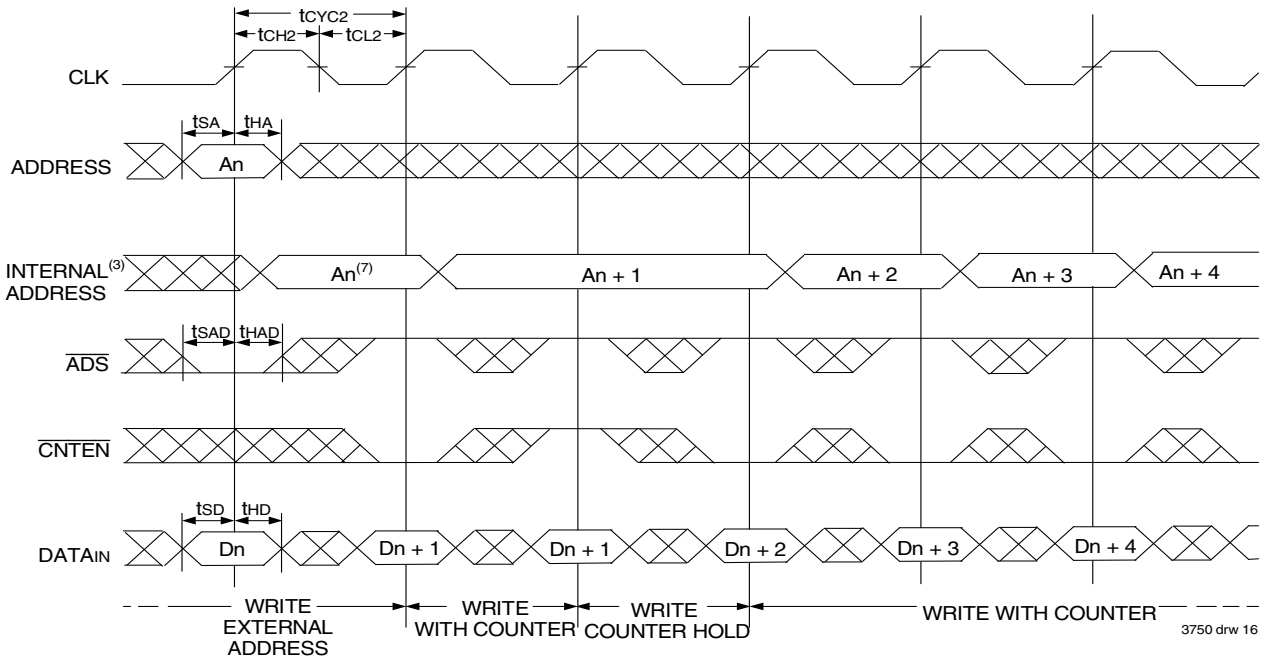
Timing Waveform of Flow-Through Counter Read with Address Counter Advance⁽¹⁾



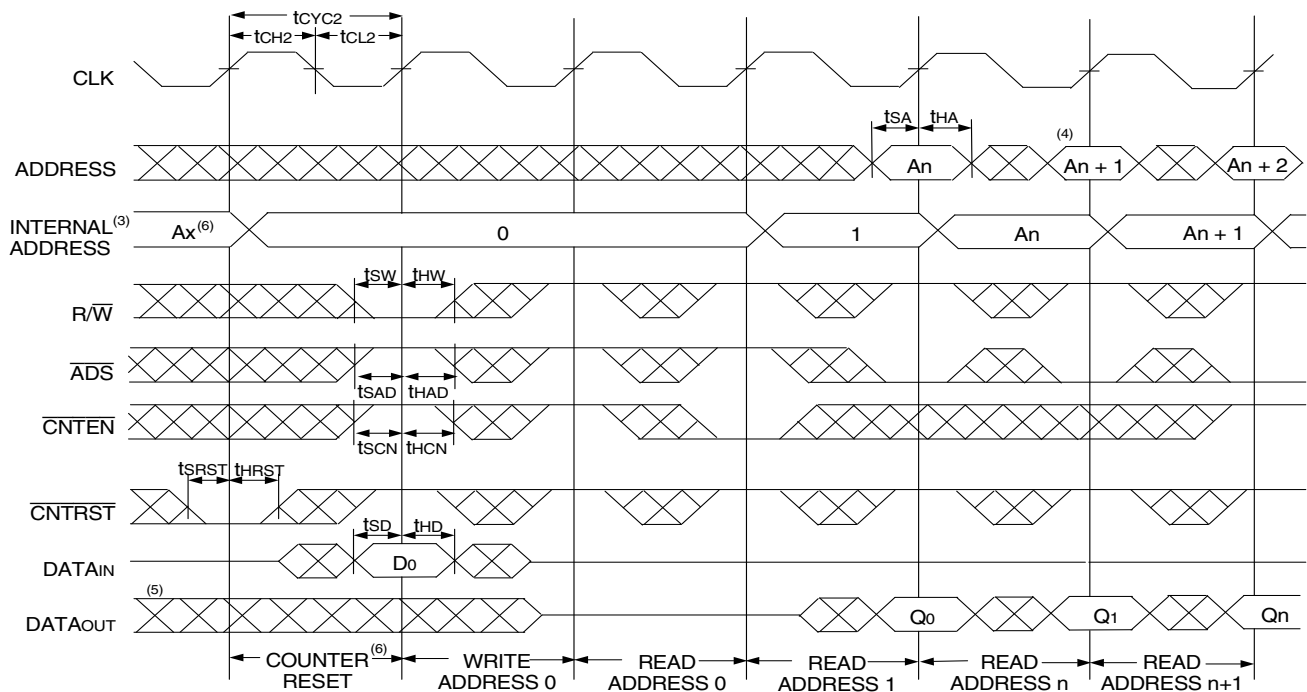
NOTES:

1. \overline{CE}_0 and $\overline{OE} = V_{IL}$; CE_1 , R/\overline{W} , and $\overline{CNTRST} = V_{IH}$.
2. If there is no address change via $\overline{ADS} = V_{IL}$ (loading a new address) or $\overline{CNTEN} = V_{IL}$ (advancing the address), i.e. $\overline{ADS} = V_{IH}$ and $\overline{CNTEN} = V_{IH}$, then the data output remains constant for subsequent clocks.

Timing Waveform of Write with Address Counter Advance (Flow-Through or Pipelined Outputs)⁽¹⁾



Timing Waveform of Counter Reset (Pipelined Outputs)⁽²⁾



NOTES:

1. \overline{CE}_0 and $\overline{R/W} = V_{IL}$; CE_1 and $\overline{CNTRST} = V_{IH}$.
2. $\overline{CE}_0 = V_{IL}$; $CE_1 = V_{IH}$.
3. The "Internal Address" is equal to the "External Address" when $\overline{ADS} = V_{IL}$ and equals the counter output when $\overline{ADS} = V_{IH}$.
4. Addresses do not have to be accessed sequentially since $\overline{ADS} = V_{IL}$ constantly loads the address on the rising edge of the CLK; numbers are for reference use only.
5. Output state (High, Low, or High-impedance) is determined by the previous cycle control signals.
6. No dead cycle exists during counter reset. A READ or WRITE cycle may be coincidental with the counter reset. ADDR0 will be accessed. Extra cycles are shown here simply for clarification.
7. $\overline{CNTEN} = V_{IL}$ advances Internal Address from 'An' to 'An +1'. The transition shown indicates the time required for the counter to advance. The 'An +1' address is written to during this cycle.

3750 drw 17

Functional Description

The IDT70V9089/79 provides a true synchronous Dual-Port Static RAM interface. Registered inputs provide minimal set-up and hold times on address, data, and all critical control inputs. All internal registers are clocked on the rising edge of the clock signal, however, the self-timed internal write pulse is independent of the LOW to HIGH transition of the clock signal.

An asynchronous output enable is provided to ease asynchronous bus interfacing. Counter enable inputs are also provided to stall the operation of the counter registers for fast interleaved memory applications.

A HIGH on $\overline{CE0}$ or a LOW on $CE1$ for one clock cycle will power down the internal circuitry to reduce static power consumption. Multiple chip enables allow easier banking of multiple IDT70V9089/79's for depth expansion configurations. When the Pipelined output mode is enabled, two cycles are required with $\overline{CE0}$ LOW and $CE1$ HIGH to reactivate the outputs.

Depth and Width Expansion

The IDT70V9089/79 features dual chip enables (refer to Truth Table I) in order to facilitate rapid and simple depth expansion with no requirements for external logic. Figure 4 illustrates how to control the various chip enables in order to expand two devices in depth.

The IDT70V9089/79 can also be used in applications requiring expanded width, as indicated in Figure 4. Since the banks are allocated at the discretion of the user, the external controller can be set up to drive the input signals for the various devices as required to allow for 16-bit or wider applications.

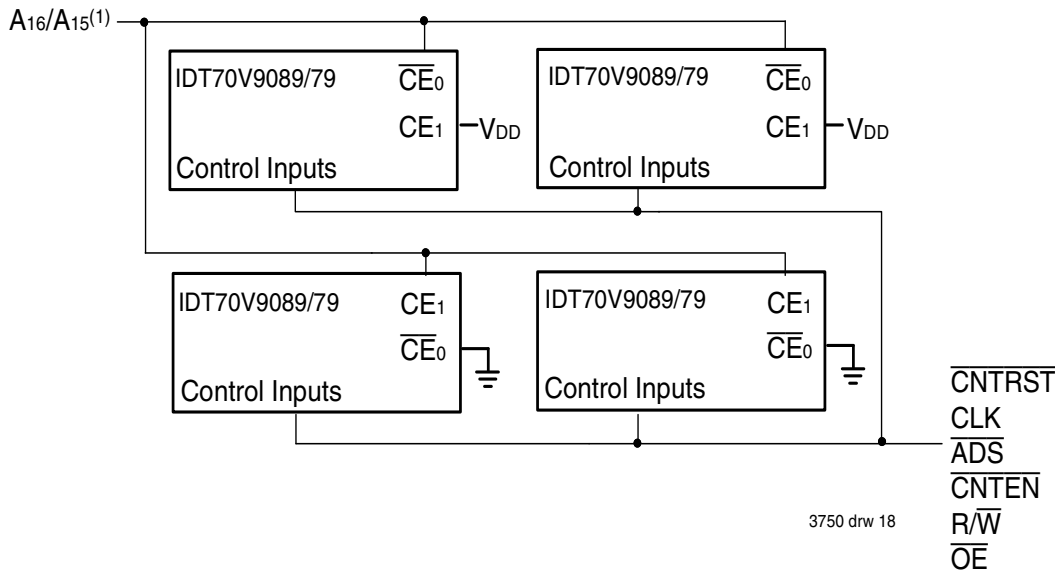


Figure 4. Depth and Width Expansion with IDT70V9089/79

NOTE:

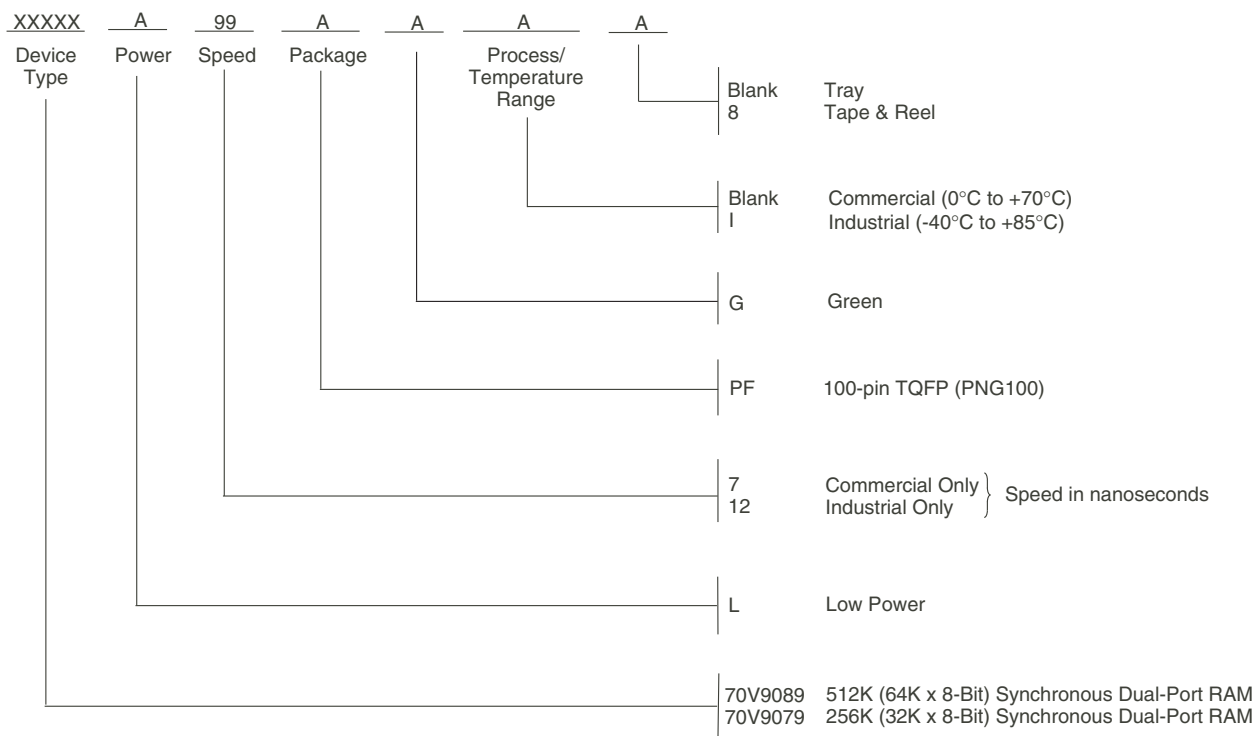
- 1. A16 is for IDT70V9089. A15 is for IDT70V9079.

IDT Clock Solution for IDT70V9089/79 Dual-Port

IDT Dual-Port Part Number	Dual-Port I/O Specifications		Clock Specifications				IDT PLL Clock Device	IDT Non-PLL Clock Device
	Voltage	I/O	Input Capacitance	Input Duty Cycle Requirement	Maximum Frequency	Jitter Tolerance		
70V9089/79	3.3	LVTTL	9pF	40%	100	150ps	2305 2308 2309	49FCT3805 49FCT3805D/E 74FCT3807 74FCT3807D/E

3750 tbl 14

Ordering Information



3750 drw 19

NOTES:

LEAD FINISH (SnPb) parts are Obsolete. Product Discontinuation Notice - PDN# SP-17-02
Note that information regarding recently obsoleted parts are included in this datasheet for customer convenience.

Ordering Information for Flow-through Devices

Old Flow-through Part	New Combined Part
70V908S/L25	70V9089L12

3750 tbl 12

Old Flow-through Part	New Combined Part
70V907S/L25	70V9079L7

3750 tbl 13

Orderable Part Information

Speed (ns)	Orderable Part ID	Pkg. Code	Pkg. Type	Temp. Grade
7	70V9079L7PFG8	PNG100	TQFP	C
	70V9079L7PFG	PNG100	TQFP	C

Speed (ns)	Orderable Part ID	Pkg. Code	Pkg. Type	Temp. Grade
12	70V9089L12PFGI	PNG100	TQFP	I
	70V9089L12PFGI8	PNG100	TQFP	I

Datasheet Document History

01/18/99: Initiated datasheet document history
 Converted to new format
 Cosmetic and typographical corrections
 Added additional notes to pin configurations
 Added Depth and Width Expansion section.

Datasheet Document History (con't.)

06/11/99:	Page 3	Deleted note 6 for Table II
11/12/99:		Replaced IDT logo
03/31/00:		Combined Pipelined 70V9089 family and Flow-through 70V908 family offerings into one data sheet Changed $\pm 200\text{mV}$ in waveform notes to 0mV Added corresponding part chart with ordering information
01/10/01:	Page 3 Page 4	Changed information in Truth Table II Increased storage temperature parameters Clarified T_A parameter
	Page 5	DC Electrical parameters—changed wording from "open" to "disabled" Removed Preliminary Status
01/15/04:		Consolidated multiple devices into one datasheet Changed naming conventions from V_{CC} to V_{DD} and from GND to V_{SS} Removed I-temp footnote from tables
	Page 2	Added date revision to pin configuration
	Page 4	Added Junction Temperature to Absolute Maximum Ratings Table Added Ambient Temperature footnote
	Page 5	Added I-temp numbers for 9ns speed to the DC Electrical Characteristics Table Added 6ns & 7ns speeds DC power numbers to the DC Electrical Characteristics Table
	Page 7	Added I-temp for 9ns speed to AC Electrical Characteristics Table Added 6ns & 7ns speeds AC timing numbers to the AC Electrical Characteristics Table
	Page 16	Added 6ns & 7ns speeds grade and 9ns I-temp to ordering information Added IDT Clock Solution Table
	Pages 1 & 17	Replaced © IDT logo with ™ new logo
05/11/04:	Pages 1 & 19	Added 7ns speed grade to ordering information
	Page 5	Added 7ns speed DC power numbers to the DC Electrical Characteristics Table
	Page 8	Added 7ns speed AC timing numbers to the AC Electrical Characteristics Table
12/01/05:	Page 1	Added green parts availability to features
	Page 18	Added green indicator to ordering information
01/19/09:	Page 18	Removed "IDT" from orderable part number
07/26/10:	Page 8	In order to correct the header notes of the AC Elec Chars Table and align them with the Industrial temp range values located in the table, the commercial T_A header note has been removed
	Pages 10-14	In order to correct the footnotes of timing diagrams, \overline{CNTEN} has been removed to reconcile the footnotes with the \overline{CNTEN} logic definition found in Truth Table II - Address Counter Control
07/15/14:	Page 1	Replaced Industrial 9ns with 12ns. Replaced Low Power Operation Standby from 600mW (typ) to 1.32mW (typ) in the Features
	Page 2	Corrected some text typos
	Page 5	Removed the 9ns Industrial temp power values for the S & L offering in the DC Elec Chars table
	Page 6	Added the 12ns Industrial temp power value for the L offering in the DC Elec Chars table
	Pages 8 & 9	Updated the column headings of the AC Elec Chars table to indicate the Commercial and Industrial speed grade offerings
	Page 18	Updated all the Commercial and Industrial speed grade offerings and added Tape & Reel to Ordering Information
	Page 2 & 18	The label PN100-1 changed to PN100 to match the standard package code
	Page 18	Corrected Old Flow-through Part number in table 13 to 70V907S/L25 & S/L30
02/20/18:		Product Discontinuation Notice - PDN# SP-17-02 Last time buy expires June 15, 2018
09/25/19:	Page 1 & 18	Deleted obsolete Commercial speed grades 6/9/12/15ns in Features and Ordering Information
	Page 2	Rotated PNG100 TQFP pin configuration to accurately reflect pin 1 orientation
	Page 18	Added Orderable Part Information table

IMPORTANT NOTICE AND DISCLAIMER

RENESAS ELECTRONICS CORPORATION AND ITS SUBSIDIARIES (“RENESAS”) PROVIDES TECHNICAL SPECIFICATIONS AND RELIABILITY DATA (INCLUDING DATASHEETS), DESIGN RESOURCES (INCLUDING REFERENCE DESIGNS), APPLICATION OR OTHER DESIGN ADVICE, WEB TOOLS, SAFETY INFORMATION, AND OTHER RESOURCES “AS IS” AND WITH ALL FAULTS, AND DISCLAIMS ALL WARRANTIES, EXPRESS OR IMPLIED, INCLUDING, WITHOUT LIMITATION, ANY IMPLIED WARRANTIES OF MERCHANTABILITY, FITNESS FOR A PARTICULAR PURPOSE, OR NON-INFRINGEMENT OF THIRD PARTY INTELLECTUAL PROPERTY RIGHTS.

These resources are intended for developers skilled in the art designing with Renesas products. You are solely responsible for (1) selecting the appropriate products for your application, (2) designing, validating, and testing your application, and (3) ensuring your application meets applicable standards, and any other safety, security, or other requirements. These resources are subject to change without notice. Renesas grants you permission to use these resources only for development of an application that uses Renesas products. Other reproduction or use of these resources is strictly prohibited. No license is granted to any other Renesas intellectual property or to any third party intellectual property. Renesas disclaims responsibility for, and you will fully indemnify Renesas and its representatives against, any claims, damages, costs, losses, or liabilities arising out of your use of these resources. Renesas' products are provided only subject to Renesas' Terms and Conditions of Sale or other applicable terms agreed to in writing. No use of any Renesas resources expands or otherwise alters any applicable warranties or warranty disclaimers for these products.

(Rev.1.0 Mar 2020)

Corporate Headquarters

TOYOSU FORESIA, 3-2-24 Toyosu,
Koto-ku, Tokyo 135-0061, Japan
www.renesas.com

Contact Information

For further information on a product, technology, the most up-to-date version of a document, or your nearest sales office, please visit:
www.renesas.com/contact/

Trademarks

Renesas and the Renesas logo are trademarks of Renesas Electronics Corporation. All trademarks and registered trademarks are the property of their respective owners.