

Description

The IDT5V19EE604 is a programmable clock generator intended for high performance data-communications, telecommunications, consumer, and networking applications. There are four internal PLLs, each individually programmable, allowing for four unique non-integer-related frequencies. The frequencies are generated from a single reference clock. The reference clock can come from one of the two redundant clock inputs. Automatic or manual switchover function allows any one of the redundant clocks to be selected during normal operation.

The IDT5V19EE604 is in-system, programmable and can be programmed through the use of I²C interface. An internal EEPROM allows the user to save and restore the configuration of the device without having to reprogram it on power-up.

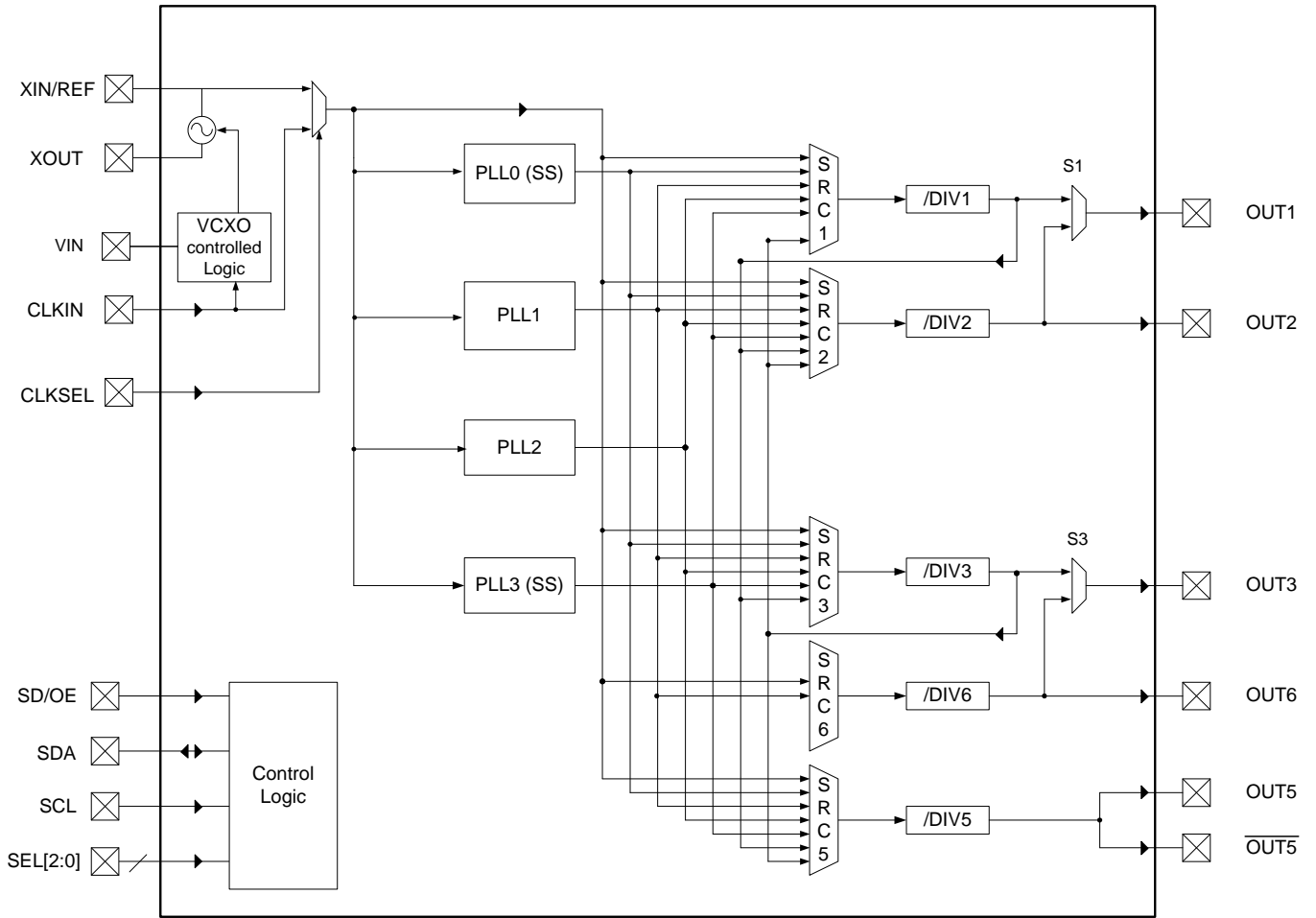
Each of the four PLLs has an 7-bit reference divider and a 12-bit feedback divider. This allows the user to generate four unique non-integer-related frequencies. The PLL loop bandwidth is programmable to allow the user to tailor the PLL response to the application. For instance, the user can tune the PLL parameters to minimize jitter generation or to maximize jitter attenuation. Spread spectrum generation and/or fractional divides are allowed on two of the PLLs.

There are a total of five 8-bit output dividers. The outputs are connected to the PLLs via a switch matrix. The switch matrix allows the user to route the PLL outputs to any output bank. This feature can be used to simplify and optimize the board layout. In addition, each output's slew rate and enable/disable function is programmable.

Features

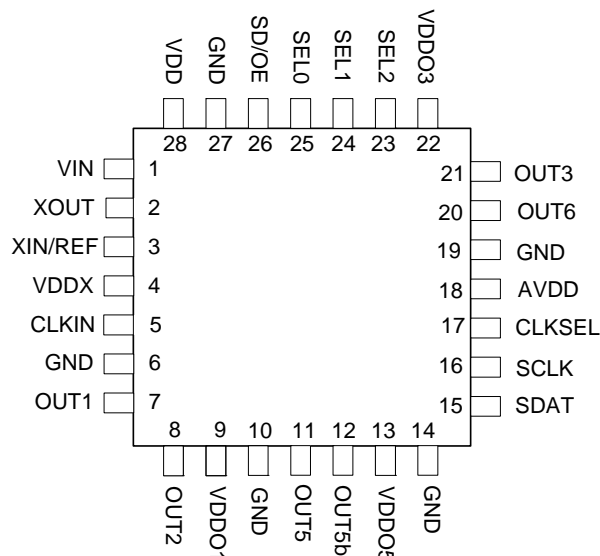
- Four internal PLLs
- Internal non-volatile EEPROM
- Fast (400kHz) mode I²C serial interface
- Input frequency range: 1 MHz to 200 MHz
- Output frequency range: 4.9 kHz to 200 MHz
- Reference crystal input with programmable linear load capacitance
 - Crystal frequency range: 8 MHz to 50 MHz
- Integrated VCXO
- Three independently controlled VDDO (1.8V - 3.3V)
- Each PLL has a 7-bit reference divider and a 12-bit feedback-divider
- 8-bit output-divider blocks
- Fractional division capability on one PLL
- Two of the PLLs support spread spectrum generation capability
- I/O Standards:
 - Outputs - 1.8 - 3.3 V LVTTTL/ LVCMOS
 - Inputs - 3.3 V LVTTTL/ LVCMOS
- Programmable slew rate control
- Programmable loop bandwidth
- Programmable output inversion to reduce bimodal jitter
- Redundant clock inputs with auto and manual switchover options
- Individual output enable/disable
- Power-down mode
- 3.3V core V_{DD}
- Available in VFQFPN package
- -40 to +85°C Industrial Temp operation

Functional Block Diagram



1. CLKIN, CLKSEL, SD/OE and SEL[2:0] have pull down resistors.

Pin Configuration



28 pin VFQFPN
(Top View)

Pin Descriptions

| Pin# | Pin Name | I/O | Pin Type | Pin Description |
|------|-----------|-----|---------------------|------------------------------------------------------------------------------------------------------------------------------|
| 1 | VIN | I | LVTTTL | VCXO analog control voltage input. Pulls output ± 100 ppm by varying from 0V to 3.3V. |
| 2 | XOUT | O | LVTTTL | CRYSTAL_OUT -- Reference crystal feedback. |
| 3 | XIN / REF | I | LVTTTL | CRYSTAL_IN -- Reference crystal input or external reference clock input. |
| 4 | VDDx | | Power | Crystal oscillator power supply. Connect to 3.3V through 5 Ω resistor. Use filtered analog power supply if available. |
| 5 | CLKIN | I | LVTTTL | Input clock. Weak internal pull down resistor. |
| 6 | GND | | Power | Connect to Ground. |
| 7 | OUT1 | O | LVTTTL | Configurable clock output 1. Output levels controlled by VDDO1. |
| 8 | OUT2 | O | LVTTTL | Configurable clock output 2. Output levels controlled by VDDO1. |
| 9 | VDDO1 | | Power | Device power supply. Connect to 1.8 to 3.3V. Sets output voltage levels for OUT1 and OUT2. |
| 10 | GND | | Power | Connect to Ground. |
| 11 | OUT5 | O | LVTTTL ¹ | Configurable clock output 5. Output levels controlled by VDDO5. |

| Pin# | Pin Name | I/O | Pin Type | Pin Description |
|------|----------|-----|---------------------|---------------------------------------------------------------------------------------------------------------------------------------------------------------------------------------------------------|
| 12 | OUT5b | O | LVTTTL ¹ | Configurable clock output 5b. Output levels controlled by VDDO5. |
| 13 | VDDO5 | | Power | Device power supply. Connect to 1.8 to 3.3V. Sets output voltage levels for OUT5 and OUT5b. |
| 14 | GND | | Power | Connect to Ground. |
| 15 | SDAT | I/O | Open Drain | Bidirectional I ² C data. An external pull-up resistor is required. See I ² C specification for pull-up value recommendation. |
| 16 | SCLK | I | LVTTTL | I ² C clock. An external pull-up resistor is required. See I ² C specification for pull-up value recommendation. |
| 17 | CLKSEL | I | LVTTTL | Input clock selector. Weak internal pull down resistor. |
| 18 | AVDD | | Power | Device analog power supply. Connect to 3.3V. Use filtered analog power supply if available. |
| 19 | GND | | Power | Connect to Ground. |
| 20 | OUT6 | O | LVTTTL | Configurable clock output 6. Output levels controlled by VDDO3. |
| 21 | OUT3 | O | LVTTTL | Configurable clock output 3. Output levels controlled by VDDO3. |
| 22 | VDDO3 | | Power | Device power supply. Connect to 1.8 to 3.3V. Sets output voltage levels for OUT3 and OUT6. |
| 23 | SEL2 | I | LVTTTL | Configuration select pin. Weak internal pull down resistor. |
| 24 | SEL1 | I | LVTTTL | Configuration select pin. Weak internal pull down resistor. |
| 25 | SEL0 | I | LVTTTL | Configuration select pin. Weak internal pull down resistor. |
| 26 | SD/OE | I | LVTTTL | Enables/disables the outputs or powers down the chip. The SP bit (0x02) controls the polarity of the signal to be either active HIGH or LOW. (Default is active LOW.) Weak internal pull down resistor. |
| 27 | GND | | Power | Connect to Ground. |
| 28 | VDD | | Power | Device power supply. Connect to 3.3V. |

1. When only an individual single-ended clock output is required, tie OUT# and OUT#b together.

2. Analog power plane should be isolated from a 3.3V power plane through a ferrite bead.

3. Each power pin should have a dedicated 0.01µF de-coupling capacitor. Digital VDDs may be tied together.

4. Unused clock inputs (REFIN or CLKIN) must be pulled high or low - they cannot be left floating. If the crystal oscillator is not used, XOUT must be left floating.

PLL Features and Descriptions



PLL0 Block Diagram



PLL1, PLL2 and PLL3 Block Diagram

| | Pre-Divider (D) ¹ Values | Multiplier (M) ² Values | Programmable Loop Bandwidth | Spread Spectrum Generation Capability |
|------|-------------------------------------|------------------------------------|-----------------------------|---------------------------------------|
| PLL0 | 1 - 127 | 10 - 8206 | Yes | Yes |
| PLL1 | 1 - 127 | 1 - 4095 | Yes | No |
| PLL2 | 1 - 127 | 1 - 4095 | Yes | No |
| PLL3 | 3 - 127 | 12 - 4095 | Yes | Yes |

1. For PLL0, PLL1 and PLL2, D=0 means PLL power down. For PLL3, 0, 1, and 2 are DNU (do not use)
 2. For PLL0, $M = 2 \cdot N + A + 1$ (for $A > 0$); $M = 2 \cdot N$ (for $A = 0$); $A \leq N - 1$. For PLL1, PLL2 and PLL3, $M = N$.

Reference Clock Input Pins and Selection

The IDT5V19EE604 supports up to two clock inputs. One of the clock inputs (XIN/ REF) can be driven by either an external crystal or a reference clock. The second clock input (CLKIN) can only be driven from an external reference clock. The CLKSEL pin selects the input clock from either XTAL/REF or CLKIN.

Either clock input can be set as the primary clock. The primary clock designation is to establish which is the main reference clock to the PLLs. The non-primary clock is designated as the secondary clock in case the primary clock goes absent and a backup is needed. The PRIMSRC bit (0xBE through 0xC3) determines which clock input will be selected as primary clock. When PRIMSRC bit is "0", XIN/REF is selected as the primary clock, and when "1", CLKIN as the primary clock.

The two external reference clocks can be manually selected using the CLKSEL pin. The SM bits (0xBE through 0xC3) must be set to "0x" for manual switchover which is detailed in SWITCHOVER MODES section.

Crystal Input (XIN/REF)

The crystal used should be a fundamental mode quartz crystal; overtone crystals should not be used.

When the XIN/REF pin is driven by a crystal, it is important to set the internal inverter oscillator drive strength and tuning/load capacitor values correctly to achieve the best clock performance. These values are programmable through I²C interface to allow for maximum compatibility with crystals from various manufacturers, processes, performances, and qualities. The internal load capacitors are true parallel-plate capacitors for ultra-linear performance. Parallel-plate capacitors were chosen to reduce the frequency shift that occurs when non-linear load capacitance interacts with load, bias, supply, and temperature changes. External non-linear crystal load capacitors should not be used for applications that are sensitive to absolute frequency requirements. The value of the internal load capacitors are determined by XTAL[4:0] bits. The load capacitance can be set with a resolution of 0.125 pF for a total crystal load ranging from 3.5 pF to 7.5 pF. Check with the crystal vendor's load capacitance specification for the exact setting to tune the internal load capacitor. The following equation governs how the total

internal load capacitance is set.

$$\text{XTAL load cap} = 3.5 \text{ pF} + \text{XTAL}[4:0] * 0.125 \text{ pF (Eq. 1)}$$

| Parameter | Bits | Step (pF) | Min (pF) | Max (pF) |
|-----------|------|-----------|----------|----------|
| XTAL | 8 | 0.125 | 0 | 4 |

When using an external reference clock instead of a crystal on the XTAL/REF pin, the input load capacitors may be completely bypassed. This allows for the input frequency to be up to 200 MHz. When using an external reference clock, the XOUT pin must be left floating, XTAL must be programmed to the default value of "00h", and the crystal drive strength bit, XDRV (0x06), must be set to the default value of "11h".

Switchover Modes

The IDT5V19EE604 features redundant clock inputs which supports both Automatic and Manual switchover mode. These two modes are determined by the configuration bits, SM (0xBE through 0xC3). The primary clock source can be programmed, via the PRIMSRC bit, to be either XIN/REF or CLKIN. The other clock input will be considered as the secondary source. Note that the switchover modes are asynchronous. If the reference clocks are directly routed to OUTx with no phase relationship, short pulses can be generated during switchover. The automatic switchover mode will work only when the primary clock source is XIN/REF. Switchover modes are not supported for crystal input configurations.

Manual Switchover Mode

When SM[1:0] is "0x", the redundant inputs are in manual switchover mode. In this mode, CLKSEL pin is used to switch between the primary and secondary clock sources. As previously mentioned, the primary and secondary clock source setting is determined by the PRIMSRC bit. During the switchover, no glitches will occur at the output of the device, although there may be frequency and phase drift, depending on the exact phase and frequency relationship between the primary and secondary clocks.

Automatic Switchover Mode

The redundant inputs are in automatic switchover mode. Automatic switchover mode has revertive functionality. The input clock selection will switch to the secondary clock source when there are no transitions on the primary clock source for two secondary clock cycles. If both reference

clocks are at different frequencies, the device will always remain on the primary clock unless it is absent for two secondary clock cycles. The secondary clock must always run at a frequency less than or equal to the primary clock frequency.

Reference Divider, Feedback Divider, and Output Divider

Each PLL incorporates a 7-bit reference divider (D[6:0]) and a 12-bit feedback divider (N[11:0]) that allows the user to generate four unique non-integer-related frequencies. Each output divide supports 8-bit output-divider (PM and Q[7:0]). The following equation governs how the output frequency is calculated.

$$F_{OUT} = \frac{F_{IN} * \left(\frac{M}{D}\right)}{ODIV} \quad (\text{Eq. 1})$$

Where FIN is the reference frequency, M is the total feedback-divider value, D is the reference divider value, ODIV is the total output-divider value, and FOUT is the resulting output frequency.

For PLL0,

$$M = 2 * N + A + 1 \quad (\text{for } A > 0)$$

$$M = 2 * N \quad (\text{for } A = 0)$$

For PLL1, PLL2 and PLL3,

$$M = N$$

PM and Q[6:0] are the bits used to program the 8-bit output-dividers for outputs OUT1-6. OUT0 does not have any output divide along its path. The 8-bit output-dividers will bypass or divide down the output banks' frequency with even integer values ranging from 2 to 256.

There is the option to choose between disabling the output-divider, utilizing a div/1, a div/2, or the 7-bit Q-divider by using the PM bit. If the output is disabled, it will be driven High, Low or High Impedance, depending on OEM[1:0]. Each bank, except for OUT0, has a PM bit. When disabled, no clocks will appear at the output of the divider, but will remain powered on. The output divides selection table is shown below.

| Q[6:0] | PM | Output Divider |
|-----------|----|---------------------|
| 111 1111 | 0 | Disabled |
| | 1 | /1 |
| <111 1111 | 0 | /2 |
| | 1 | /((Q[6:0] + 2) * 2) |

Note that the actual 7-bit Q-divider value has a 2 added to the integer value Q and the outputs are routed through another div/2 block. The output divider should never be disabled unless the output bank will never be used during normal operation. The output frequency range are from 4.9KHz to 200MHz.

Spread Spectrum Generation (PLL0)

PLL0 supports spread spectrum generation capability, which users have the option of turning on or off. Spread spectrum profile, frequency, and spread amplitude are fully programmable. The programmable spread spectrum generation parameters are TSSC[3:0], NSSC[2:0], SS_OFFSET[5:0], SD[3:0], DITH, and X2 bits. These bits are in the memory address from 0xAC to 0xBD for PLL0. The spread spectrum generation on PLL0 can be enabled/disabled using the TSSC[3:0] bits. To enable spread spectrum, set TSSC > '0' and set NSSC[2:0], SS_OFFSET[5:0], SD[3:0], and the A[3:0] (in the total M value) accordingly. To disable spread spectrum generation, set TSSC = '0'.

TSSC[3:0]

These bits are used to determine the number of phase/frequency detector cycles per spread spectrum cycle (ssc) steps. The modulation frequency can be calculated with the TSSC bits in conjunction with the NSSC bits. Valid TSSC integer values for the modulation frequency range from 5 to 14. Values of 0 - 4 and 15 should not be used.

NSSC[2:0]

These bits are used to determine the number of delta-encoded samples used for a single quadrant of the spread spectrum waveform. All four quadrants of the spread spectrum waveform are mirror images of each other. The modulation frequency is also calculated based on the NSSC bits in conjunction with the TSSC bits. Valid NSSC integer values range from 1 to 6. Values of 0 and 7 should not be used.

SS_OFFSET[5:0]

These bits are used to program the fractional offset with respect to the nominal M integer value. For center spread, the SS_OFFSET is set to '0' so that the spread spectrum waveform is centered about the nominal M (Mnom) value. For down spread, the SS_OFFSET > '0' such the spread spectrum waveform is centered about the (Mideal -1 +SS_Offset) value. The downspread percentage can be thought of in terms of center spread. For example, a downspread of -1% can also be considered as a center spread of ±0.5% but with Mnom shifted down by one and offset. The SS_OFFSET has integer values ranging from 0 to 63.

SD[3:0]

These bits are used to shape the profile of the spread spectrum waveform. These are delta-encoded samples of the waveform. There are two sets of SD samples. The NSSC bits determine how many of these samples are repeated for the waveform. The sum of these delta-encoded samples (sigma delta- encoded samples) determine the amount of spread and should not exceed (63 - SS_OFFSET). The maximum spread is inversely proportional to the nominal M integer value.

DITH

This bit is used for dithering the sigma-delta-encoded samples. This will randomize the least-significant bit of the input to the spread spectrum modulator. Set the bit to '1' to enable dithering.

X2

This bit will double the total value of the sigma-delta-encoded-samples which will increase the amplitude of the spread spectrum waveform by a factor of two. When X2 is '0', the amplitude remains nominal but if set to '1', the amplitude is increased by x2. The following equations govern how the spread spectrum is set:

$$T_{SSC} = TSSC[3:0] + 2 \text{ (Eq. 2)}$$

$$N_{SSC} = NSSC[2:0] * 2 \text{ (Eq. 3)}$$

$$SD[3:0]_k = S_{j+1}(\text{unencoded}) - S_j(\text{unencoded}) \text{ (Eq. 4)}$$

where S_j is the unencoded sample out of a possible 12 and SD_k is the delta-encoded sample out of a possible 12.

$$\text{Amplitude} = ((2 * N[11:0] + A[3:0] + 1) * \text{Spread\%} / 100) / 2 \text{ (Eq. 5)}$$

if $1 < \text{Amplitude} < 2$, then set X2 bit to '1'.

Modulation frequency:

$$F_{PPFD} = F_{IN} / D \text{ (Eq. 6)}$$

$$F_{VCO} = F_{PPFD} * M_{NOM} \text{ (Eq. 7)}$$

$$F_{SSC} = F_{PPFD} / (4 * N_{SSC} * T_{SSC}) \text{ (Eq. 8)}$$

Spread:

$$\Sigma\Delta = SD_0 + SD_1 + SD_2 + \dots + SD_{11}$$

the number of samples used depends on the Nssc value

$$\Sigma\Delta \leq 63 - SS_OFFSET$$

$$\pm\text{Spread\%} = (\Sigma\Delta * 100) / (64 * (2 * N[11:0] + A[3:0] + 1)) \text{ (Eq. 9)}$$

$$\pm\text{Max Spread\%} / 100 = 1 / M_{NOM} \text{ or } 2 / M_{NOM} (X2=1)$$

Profile:

Waveform starts with SS_OFFSET, SS_OFFSET + SD_J, SS_OFFSET + SD_{J+1}, etc.

Spread Spectrum Using Sinusoidal Profile



Example

F_{IN} = 25MHz, F_{OUT} = 100MHz, F_{SSC} = 33KHz with center spread of ±2%. Find the necessary spread spectrum register settings.

Since the spread is center, the SS_OFFSET can be set to '0'. Solve for the nominal M value; keep in mind that the nominal M should be chosen to maximize

the VCO. Start with D = 1, using Eq.6 and Eq.7.

$$M_{NOM} = 1200MHz / 25MHz = 48$$

Using Eq.4, we arbitrarily choose N = 22, A = 3. Now that we have the nominal M value, we can determine TSSC and NSSC by using Eq.8.

$$Nssc * Tssc = 25MHz / (33KHz * 4) = 190$$

However, using Eq. 2 and Eq.3, we find that the closest value is when TSSC = 14 and NSSC = 6. Keep in mind to maximize the number of samples used

to enhance the profile of the spread spectrum waveform.

$$Tssc = 14 + 2 = 16$$

$$Nssc = 6 * 2 = 12$$

$$Nssc * Tssc = 192$$

Use Eq.10 to determine the value of the sigma-delta-encoded samples.

$$\pm 2\% = (\Sigma\Delta * 100)/(64 * 48)$$

$$\Sigma\Delta = 61.4$$

Either round up or down to the nearest integer value. Therefore, we end up with 61 or 62 for sigma-delta-encoded samples. Since the sigma-delta-encoded samples must not exceed 63 with SS_OFFSET set to '0', 61 or 62 is well within the limits. It is the discretion of the user to define the shape of the profile that is better suited for the intended application.

Using Eq. 9 again, the actual spread for the sigma-delta-encoded samples of 56 and 57 are ±1.99% and ±2.02%, respectively.

Use Eq.10 to determine if the X2 bit needs to be set;

$$Amplitude = 48 * (1.99 \text{ or } 2.02) / 100/2 = 0.48 < 1$$

Therefore, the X2 = '0'. The dither bit is left to the discretion of the user.

The example above was of a center spread using spread spectrum. For down spread, the nominal M value can be set one integer value lower to 47.

Note that the IDT5V19EE604 should not be programmed with TSSC > '0', SS_OFFSET = '0', and SD = '0' in order to prevent an unstable state in the modulator.

The PLL loop bandwidth must be at least 10x the modulation frequency along with higher damping (larger ωz) to prevent the spread spectrum from being filtered and reduce extraneous noise. Refer to the LOOP FILTER section for more detail on ωz. The A[3:0] must be used for spread spectrum, even if the total multiplier value is an even integer.

Spread Spectrum Generation (PLL3)

PLL3 support spread spectrum generation capability, which users have the option of turning on and off. Spread spectrum profile, frequency, and spread are fully programmable (within limits). The technique is different from that used in PLL0. The programmable spread spectrum generation parameters are SS_D3[7:0], SSVCO[15:0], SSENb, IP3[4:0] and RZ3[3:0] bits. These bits are in the memory address range of 0x4C to 0x85 for PLL3. The spread spectrum generation on PLL3 can be enabled/disabled using the SSENb bit. To enable spread spectrum, set SSENb = '1'.

For Spread Enabled:

Spread spectrum is configured using SS_D3(spread spectrum reference divide)

$$SS_D3 = \frac{F_{IN}}{4 * F_{MOD}} \quad (\text{Eq. 10})$$

and SSVCO (spread spectrum loop feedback counter).

$$SSVCO = [0.5 * \frac{F_{VCO}}{F_{MOD}} * (1 + SS/400) + 5] \quad (\text{Eq. 11})$$

SS is the total Spread Spectrum amount (i.e. center spread $\pm 0.5\%$ has a total spread of 1.0% and down spread -0.5% has a total spread of 0.5%.)

Loop Filter

The loop filter for each PLL can be programmed to optimize the jitter performance. The low-pass frequency response of the PLL is the mechanism that dictates the jitter transfer characteristics. The loop bandwidth can be extracted from the jitter transfer. A narrow loop bandwidth is good for jitter attenuation while a wide loop bandwidth is best for low-jitter frequency generation. The specific loop filter components that can be programmed are the resistor via the RZ[3:0] bits, zero capacitor via the CZ bit (for PLL0, PLL1 and PLL2), and the charge pump current via the IP[2:0] bits (for PLL0, PLL1 and PLL2) or IP[3:0] (for PLL3).

The following equations govern how the loop filter is set for PLL0 - PLL2:

$$\text{Resistor (Rz)} = (RZ[0] + 2 * RZ[1] + 4 * RZ[2] + 8 * RZ[3]) * 4.0 \text{ kOhm}$$

$$\text{Zero capacitor (Cz)} = 196 \text{ pF} + CZ * 217 \text{ pF}$$

$$\text{Pole capacitor (Cp)} = 15 \text{ pF}$$

$$\text{Charge pump (Ip)} = 6 * (IP[0] + 2 * IP[1] + 4 * IP[2]) \text{ uA}$$

$$\text{VCO gain (Kvco)} = 900 \text{ MHz/V} * 2\pi$$

The following equations govern how the loop filter is set for PLL3:

For Non-Spread Spectrum Operation:

$$\text{Resistor(Rz)} = \frac{(12.5 + 12.5 * (RZ[1] + 2 * RZ[2] + 4 * RZ[3]))}{* RZ[0] + 6 * (1 - RZ[0])} \text{ kOhms (Eq. 12)}$$

For Spread Spectrum Operation:

$$\text{Resistor(Rz)} = \frac{(62.5 + 12.5 * (RZ[1] + 2 * RZ[2] + 4 * RZ[3]))}{* RZ[0] + 6 * (1 - RZ[0])} \text{ kOhms (Eq. 13)}$$

$$\text{Zero capacitor (Cz)} = 250 \text{ pF}$$

$$\text{Pole capacitor (Cp)} = 15 \text{ pF}$$

For Non-Spread Spectrum Operation:

$$\text{Charge pump (Ip)} = \frac{24 * (1 + (2 * IP[0]) + (4 * IP[1]) + (8 * IP[2]))}{3 + (5 * IP[3]) + (11 * IP[4])} \text{ A (Eq. 14)}$$

For Spread Spectrum Operation:

$$\text{Charge pump (Ip)} = \frac{12 * (1 + (2 * IP[0]) + (4 * IP[1]) + (8 * IP[2]))}{27 + (5 * IP[3]) + (11 * IP[4])} \text{ A (Eq. 14)}$$

$$\text{VCO gain (Kvco)} = 900 \text{ MHz/V} * 2\pi$$



PLL Loop Bandwidth:

$$\text{Charge pump gain (K}\phi) = I_p / 2\pi$$

$$\text{VCO gain (K}_{vco}) = 900 \text{ MHz/V} * 2\pi$$

M = Total multiplier value (See the Reference Divider, Feedback Divider and Output Divider section for more detail)

$$\omega_c = (R_z * K\phi * K_{vco} * C_z) / (M * (C_z + C_p))$$

$$F_c = \omega_c / 2\pi$$

Note, the phase/frequency detector frequency (F_{PFD}) is typically seven times the PLL closed-loop bandwidth (F_c) but too high of a ratio will reduce the phase margin thus compromising loop stability.

To determine if the loop is stable, the phase margin (ϕ_m) needs to be calculated as follows.

Phase Margin:

$$\omega_z = 1 / (R_z * C_z)$$

$$\omega_p = (C_z + C_p) / (R_z * C_z * C_p)$$

$$\phi_m = (360 / 2\pi) * [\tan^{-1}(\omega_c / \omega_z) - \tan^{-1}(\omega_c / \omega_p)]$$

To ensure stability in the loop, the phase margin is recommended to be $> 60^\circ$ but too high will result in the lock time being excessively long. Certain loop filter parameters would need to be compromised to not only meet a required loop bandwidth but to also maintain loop stability.

SEL[2:0] Function

The IDT5V19EE604 can support up to six unique configurations. Users may pre-programmed all these configurations, and select the configurations using SEL[2:0] pins. Alternatively, users may use I²C interface to configure these registers on-the-fly.

| SEL2 | SEL1 | SEL0 | Configuration Selections |
|------|------|------|--------------------------|
| 0 | 0 | 0 | Select CONFIG0 |
| 0 | 0 | 1 | Select CONFIG1 |
| 0 | 1 | 0 | Select CONFIG2 |
| 0 | 1 | 1 | Select CONFIG3 |
| 1 | 0 | 0 | Select CONFIG4 |
| 1 | 0 | 1 | Select CONFIG5 |
| 1 | 1 | 0 | Reserved (Do not use) |
| 1 | 1 | 1 | Reserved (Do not use) |

Crystal/Clock Selection

XTCLKSEL bit is used to bypass a crystal oscillator circuit when external clock source is used.

PRMSRC bit is used to select a primary clock from XIN/REF and CLKIN.

| PRMSRC bit | Primary | Secondary |
|------------|---------|-----------|
| 0 | XIN/REF | CLKIN |
| 1 | CLKIN | XIN/REF |

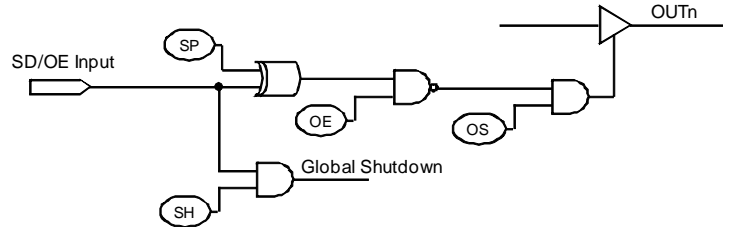
| CLKSEL input | Clock Source |
|--------------|------------------------|
| 0 | Primary Clock Source |
| 1 | Secondary Clock Source |

| CLKSEL | PRMSRC | Reference Clock |
|--------|--------|-----------------|
| 0 | 0 | XIN/REF |
| 0 | 1 | CLKIN |
| 1 | 0 | CLKIN |
| 1 | 1 | XIN/REF |

| SMx[1:0] | Switching Mode | Primary to Secondary | Secondary to Primary |
|----------|----------------|----------------------|----------------------|
| 0x | Manual | No | No |
| 10 | Auto | Yes | No |
| 11 | Auto-Revertive | Yes | Yes |

SD/OE Pin Function

The polarity of the SD/OE signal pin can be programmed to be either active HIGH or LOW with the SP bit (0x02). When SP is "0" (default), the pin becomes active LOW and when SP is "1", the pin becomes active HIGH. The SD/OE pin can be configured as either to shutdown the PLLs or to enable/disable the outputs.



Truth Table

| SH bit | SP bit | OSn bit | OEn bit | SD/OE | OUTn |
|--------|--------|---------|---------|-------|------------------------|
| 0 | 0 | 0 | x | x | High-Z ² |
| 0 | 0 | 1 | 0 | x | Enabled |
| 0 | 0 | 1 | 1 | 0 | Enabled |
| 0 | 0 | 1 | 1 | 1 | Suspended |
| 0 | 1 | 0 | x | x | High-Z ² |
| 0 | 1 | 1 | 0 | x | Enabled |
| 0 | 1 | 1 | 1 | 0 | Suspended |
| 0 | 1 | 1 | 1 | 1 | Enabled |
| 1 | 0 | 0 | x | 0 | High-Z ² |
| 1 | 0 | 1 | 0 | 0 | Enabled |
| 1 | 0 | 1 | 1 | 0 | Enabled |
| 1 | 1 | 0 | x | 0 | High-Z ² |
| 1 | 1 | 1 | 0 | 0 | Enabled |
| 1 | 1 | 1 | 1 | 0 | Suspended |
| 1 | x | x | x | 1 | Suspended ¹ |

Note 1 : Global Shutdown

Note 2 : Hi-Z regardless of OEM bits

Configuration OUTx IO Standard

Users can configure the individual output IO standard from a specified 1.8 to 3.3V power supplies. Each output can support 1.8 to 3.3V LVTTTL. OUT0 can only be a 3.3V single-ended output.

Programming the Device

I²C may be used to program the IDT5V19EE604.

– Device (slave) address = 7'b1101010

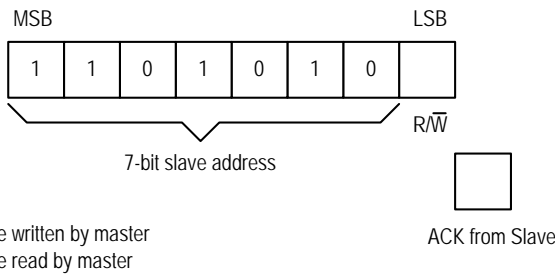
I²C Programming

The IDT5V19EE604 is programmed through an I²C-Bus serial interface, and is an I²C slave device. The read and write transfer formats are supported. The first byte of data after a write frame to the correct slave address is interpreted as the register address; this address auto-increments after each byte written or read.

The frame formats are shown in the following illustration.



Framing



The first byte transmitted by the Master is the Slave Address followed by the R/W bit. The Slave acknowledges by sending a "1" bit.

First Byte Transmitted on I²C Bus

External I²C Interface Condition

KEY:

- From Master to Slave
- From Master to Slave, but can be omitted if followed by the correct sequence
Normally, data transfer is terminated by a STOP condition generated by the Master. However, if the Master still wishes to communicate on the bus, it can generate a separate START condition, and address another Slave address without first generating a STOP condition.
- From Slave to Master

SYMBOLS:

- ACK - Acknowledge (SDAT LOW)
- NACK – Not Acknowledge (SDAT HIGH)
- SR – Repeated Start Condition
- S – START Condition
- P – STOP Condition

Progwrite

| S | Address | R/W | ACK | Command Code | ACK | Register | ACK | Data | ACK | P |
|---|---------|-----|-------|-------------------|-------|----------|-------|--------|-------|---|
| | 7-bits | 0 | 1-bit | 8-bits: xxxx xx00 | 1-bit | 8-bits | 1-bit | 8-bits | 1-bit | |

Progwrite Command Frame

Writes can continue as long as a Stop condition is not sent and each byte will increment the register address.

Progreed

Note: If the expected read command is not from the next higher register to the previous read or write command, then set a known “read” register address prior to a read operation by issuing the following command:

| S | Address | R/W | ACK | Command Code | ACK | Register | ACK | P |
|---|---------|-----|-------|-------------------|-------|----------|-------|---|
| | 7-bits | 0 | 1-bit | 8-bits: xxxx xx00 | 1-bit | 8-bits | 1-bit | |

Prior to Progreed Command Set Register Address

The user can ignore the STOP condition above and use a repeated START condition instead, straight after the slave acknowledgement bit (i.e., followed by the Progreed command):

| S | Address | R/W | ACK | ID Byte | ACK | Data_1 | ACK | Data_2 | ACK | Data_last | NACK | P |
|---|---------|-----|-------|---------|-------|--------|-------|--------|-------|-----------|-------|---|
| | 7-bits | 1 | 1-bit | 8-bits | 1-bit | 8-bits | 1-bit | 8-bits | 1-bit | 8-bits | 1-bit | |

Progreed Command Frame

Progsave

| S | Address | R/W | ACK | Command Code | ACK | P |
|---|---------|-----|-------|-------------------|-------|---|
| | 7-bits | 0 | 1-bit | 8-bits: xxxx xx01 | 1-bit | |

Note:

PROGWRITE is for writing to the IDT5V19EE604 registers.

PROGREAD is for reading the IDT5V19EE604 registers.

PROGSAVE is for saving all the contents of the IDT5V19EE604 registers to the EEPROM.

PROGRESTORE is for loading the entire EEPROM contents to the IDT5V19EE604 registers.

Progrestore

| S | Address | R/W | ACK | Command Code | ACK | P |
|---|---------|-----|-------|-------------------|-------|---|
| | 7-bits | 0 | 1-bit | 8-bits: xxxx xx10 | 1-bit | |

EEPROM Interface

The IDT5V19EE604 can also store its configuration in an internal EEPROM. The contents of the device's internal programming registers can be saved to the EEPROM by issuing a save instruction (ProgSave) and can be loaded back to the internal programming registers by issuing a restore instruction (ProgRestore).

To initiate a save or restore using I²C, only two bytes are transferred. The Device Address is issued with the read/write bit set to “0”, followed by the appropriate command code. The save or restore instruction executes after the STOP condition is issued by the Master, during which time the IDT5V19EE604 will not generate Acknowledge bits. The IDT5V19EE604 will acknowledge the instructions after it has completed execution of them. During that time, the I²C bus should be interpreted as busy by all other users of the bus.

On power-up of the IDT5V19EE604, an automatic restore is performed to load the EEPROM contents into the internal programming registers. The IDT5V19EE604 will be ready to accept a programming instruction once it acknowledges its 7-bit I²C address.

I²C Bus DC Characteristics

| Symbol | Parameter | Conditions | Min | Typ | Max | Unit |
|------------------|-----------------------|------------------------|----------------------|-----|---------------------|------|
| V _{IH} | Input HIGH Level | | 0.7xV _{DD} | | | V |
| V _{IL} | Input LOW Level | | | | 0.3xV _{DD} | V |
| V _{HYS} | Hysteresis of Inputs | | 0.05xV _{DD} | | | V |
| I _{IN} | Input Leakage Current | | | | ±1.0 | μA |
| V _{OL} | Output LOW Voltage | I _{OL} = 3 mA | | | 0.4 | V |

I²C Bus AC Characteristics for Standard Mode

| Symbol | Parameter | Min | Typ | Max | Unit |
|-----------------------|------------------------------------------|-----|-----|------|------|
| F _{SCLK} | Serial Clock Frequency (SCL) | 0 | | 100 | kHz |
| t _{BUF} | Bus free time between STOP and START | 4.7 | | | μs |
| t _{SU:START} | Setup Time, START | 4.7 | | | μs |
| t _{HD:START} | Hold Time, START | 4 | | | μs |
| t _{SU:DATA} | Setup Time, data input (SDA) | 250 | | | ns |
| t _{HD:DATA} | Hold Time, data input (SDA) ¹ | 0 | | | μs |
| t _{OVD} | Output data valid from clock | | | 3.45 | μs |
| C _B | Capacitive Load for Each Bus Line | | | 400 | pF |
| t _R | Rise Time, data and clock (SDAT, SCLK) | | | 1000 | ns |
| t _F | Fall Time, data and clock (SDAT, SCLK) | | | 300 | ns |
| t _{HIGH} | HIGH Time, clock (SCLK) | 4 | | | μs |
| t _{LOW} | LOW Time, clock (SCLK) | 4.7 | | | μs |
| t _{SU:STOP} | Setup Time, STOP | 4 | | | μs |

Note 1: A device must internally provide a hold time of at least 300 ns for the SDAT signal (referred to the V_{IH}(MIN) of the SCLK signal) to bridge the undefined region of the falling edge of SCLK.

I²C Bus AC Characteristics for Fast Mode

| Symbol | Parameter | Min | Typ | Max | Unit |
|-----------------------|------------------------------------------|-------------------------|-----|-----|------|
| F _{SCLK} | Serial Clock Frequency (SCL) | 0 | | 400 | kHz |
| t _{BUF} | Bus free time between STOP and START | 1.3 | | | μs |
| t _{SU:START} | Setup Time, START | 0.6 | | | μs |
| t _{HD:START} | Hold Time, START | 0.6 | | | μs |
| t _{SU:DATA} | Setup Time, data input (SDA) | 100 | | | ns |
| t _{HD:DATA} | Hold Time, data input (SDA) ¹ | 0 | | | μs |
| t _{OVD} | Output data valid from clock | | | 0.9 | μs |
| C _B | Capacitive Load for Each Bus Line | | | 400 | pF |
| t _R | Rise Time, data and clock (SDA, SCL) | 20 + 0.1xC _B | | 300 | ns |
| t _F | Fall Time, data and clock (SDA, SCL) | 20 + 0.1xC _B | | 300 | ns |
| t _{HIGH} | HIGH Time, clock (SCL) | 0.6 | | | μs |
| t _{LOW} | LOW Time, clock (SCL) | 1.3 | | | μs |
| t _{SU:STOP} | Setup Time, STOP | 0.6 | | | μs |

Note 1: A device must internally provide a hold time of at least 300 ns for the SDA signal (referred to the V_{IH}(MIN) of the SCL signal) to bridge the undefined region of the falling edge of SCL.

Absolute Maximum Ratings

Stresses above the ratings listed below can cause permanent damage to the IDT5V19EE604. These ratings, which are standard values for IDT commercially rated parts, are stress ratings only. Functional operation of the device at these or any other conditions above those indicated in the operational sections of the specifications is not implied. Exposure to absolute maximum rating conditions for extended periods can affect product reliability. Electrical parameters are guaranteed only over the recommended operating temperature range.

| Symbol | Description | Min | Max | Unit |
|-----------|---------------------------------------------------|------|--------------|------|
| V_{DD} | Internal Power Supply Voltage | -0.5 | +4.6 | V |
| V_I | Input Voltage ¹ | -0.5 | +4.6 | V |
| V_O | Output Voltage (not to exceed 4.6 V) ¹ | -0.5 | $V_{DD}+0.5$ | V |
| T_J | Junction Temperature | | 150 | °C |
| T_{STG} | Storage Temperature | -65 | 150 | °C |

1. Input negative and output voltage ratings may be exceeded if the input and output current ratings are observed.

Recommended Operation Conditions

| Symbol | Parameter | Min | Typ | Max | Unit |
|-----------------|-----------------------------------------------------------------------------------------------------|-------|-----|-------|------|
| V_{DD} | Power supply voltage for V_{DD} pins supporting core and outputs | 3.135 | 3.3 | 3.465 | V |
| V_{DDX} | Power supply voltage for crystal oscillator. Use filtered analog power supply if available. | 3.135 | 3.3 | 3.465 | V |
| AV_{DD} | Analog power supply voltage. Use filtered analog power supply if available. | 3.135 | 3.3 | 3.465 | V |
| V_{DDOX} | 3.3V VDDO Range | 3.0 | 3.3 | 3.6 | V |
| | 2.5V VDDO Range for 2.5V LVTTTL | 2.25 | 2.5 | 2.75 | V |
| | 1.8V VDDO Range for 1.8V LVTTTL | 1.7 | 1.8 | 1.9 | V |
| | Power supply voltage for V_{DD} pins supporting LVDS/LVPECL/HCSL outputs | 3.135 | 3.3 | 3.465 | V |
| T_A | Operating temperature, ambient | -40 | | +85 | °C |
| C_{LOAD_OUT} | Maximum load capacitance (3.3V LVTTTL only) | | | 15 | pF |
| | Maximum load capacitance (1.8V/2.5V LVTTTL only) | | | 8 | pF |
| F_{IN} | External reference crystal | 8 | | 50 | MHz |
| | External reference clock CLKIN | 1 | | 200 | |
| t_{PU} | Power up time for all V_{DD} s to reach minimum specified voltage (power ramps must be monotonic) | 0.05 | | 5 | ms |

Capacitance ($T_A = +25\text{ }^\circ\text{C}$, $f_{IN} = 1\text{ MHz}$, $V_{IN} = 0\text{V}$)

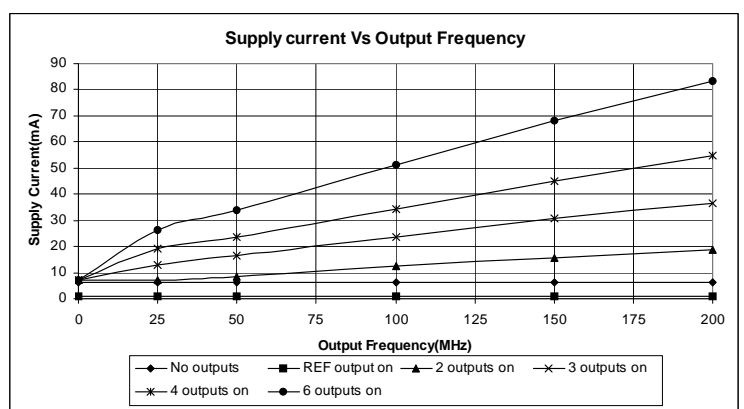
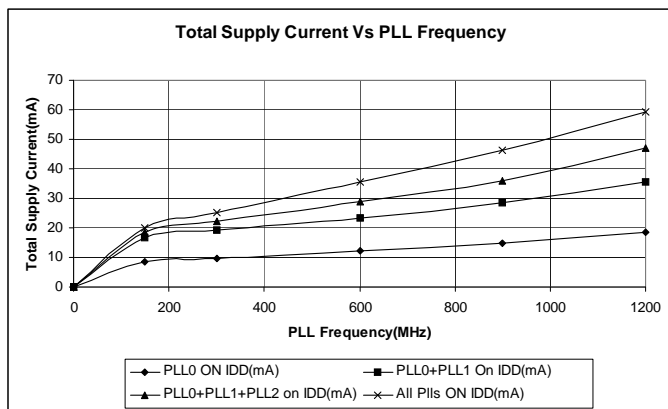
| Symbol | Parameter | Min | Typ | Max | Unit |
|-------------------------------|-------------------------------------------------------------------|-----|-----|------|------------|
| C_{IN} | Input Capacitance (VIN, CLKIN, CLKSEL, SD/OE, SDA, SCL, SEL[2:0]) | | 3 | 7 | pF |
| Pull-down Resistor | CLKIN, CLKSEL, SD/OE, SEL[2:0] | | 180 | | k Ω |
| Crystal Specifications | | | | | |
| XTAL_FREQ | Crystal frequency | 8 | | 50 | MHz |
| XTAL_MIN | Minimum crystal load capacitance | 3.5 | | | pF |
| XTAL_MAX | Maximum crystal load capacitance | | | 35.5 | pF |
| XTAL_V _{PP} | Voltage swing (peak-to-peak, nominal) | 1.5 | 2.3 | 3.2 | V |

DC Electrical Characteristics for 3.3-V LVTTTL ¹

| Symbol | Parameter | Test Conditions | Min | Typ | Max | Unit |
|------------|------------------------|----------------------------------------------------------------|-----|-----|----------|---------------|
| V_{OH} | Output HIGH Voltage | | 2.4 | | V_{DD} | V |
| V_{OL} | Output LOW Voltage | | | | 0.4 | V |
| V_{IH} | Input HIGH Voltage | | 2 | | | V |
| V_{IL} | Input LOW Voltage | | | | 0.8 | V |
| I_{OZDD} | Output Leakage Current | 3-state outputs. $V_O = V_{DD}$ or GND, $V_{DD} = 3.6\text{V}$ | | | 10 | μA |
| VIN | VCXO Control Voltage | | 0 | | 3.3 | V |

Note 1: See "Recommended Operating Conditions" table.

Power Supply Characteristics for PLLs and LVTTTL Outputs



AC Timing Electrical Characteristics

(Spread Spectrum Generation = OFF)

| Symbol | Parameter | Test Conditions | Min. | Typ. | Max. | Units |
|------------------|----------------------------------|-------------------------------------------------------------------------------------------------------|------------------|------|------|-------|
| f_{IN}^1 | Input Frequency | Input frequency limit (CLKIN) | 1 | | 200 | MHz |
| | | Input frequency limit (XIN/REF) | 8 | | 100 | MHz |
| 1 / t1 | Output Frequency | Single ended clock output limit | 0.001 | | 200 | MHz |
| f_{VCO} | VCO Frequency | VCO operating frequency range | 100 | | 1200 | MHz |
| f_{PFD} | PFD Frequency | PFD operating frequency range | 0.5 ¹ | | 100 | MHz |
| f_{BW} | Loop Bandwidth | Based on loop filter resistor and capacitor values | 0.01 | | 10 | MHz |
| t2 | Input Duty Cycle | Duty Cycle for input | 40 | | 60 | % |
| t3 | Output Duty Cycle | Measured at $V_{DD}/2$, all outputs except Reference output | 45 | | 55 | % |
| | | Measured at $V_{DD}/2$, Reference output | 40 | | 60 | % |
| t4 ² | Slew Rate, SLEW[1:0] = 00 | Single-ended 3.3V LVCMOS output clock rise and fall time, 20% to 80% of V_{DD} (Output Load = 5 pF) | | 3.5 | | V/ns |
| | Slew Rate, SLEW[1:0] = 01 | Single-ended 3.3V LVCMOS output clock rise and fall time, 20% to 80% of V_{DD} (Output Load = 5 pF) | | 2.75 | | |
| | Slew Rate, SLEW[1:0] = 10 | Single-ended 3.3V LVCMOS output clock rise and fall time, 20% to 80% of V_{DD} (Output Load = 5 pF) | | 2 | | |
| | Slew Rate, SLEW[1:0] = 11 | Single-ended 3.3V LVCMOS output clock rise and fall time, 20% to 80% of V_{DD} (Output Load = 5 pF) | | 1.25 | | |
| t7 | Clock Jitter | Peak-to-peak period jitter, 1PLL, multiple output frequencies switching | | 80 | 100 | ps |
| | | Peak-to-peak period jitter, all 4 PLLs on ³ | | 200 | 270 | ps |
| t8 | Output Skew | Skew between output to output on the same bank | | | 75 | ps |
| t9 ⁴ | Lock Time | PLL lock time from power-up | | 10 | 20 | ms |
| t10 ⁵ | Lock Time | PLL lock time from shutdown mode | | | 2 | ms |
| K_{VCXO} | VCXO Gain | $V_{IN} = V_{DD}/2 \pm 1V$ | | 75 | 100 | ppm/V |
| | Crystal Pullability ⁶ | $0V \leq V_{IN} \leq 3.3V$ | -100 | | 100 | ppm |

1. Practical lower frequency is determined by loop filter settings.

2. A slew rate of 2.75V/ns or greater should be selected for output frequencies of 100MHz or higher.

3. Jitter measured with clock outputs of 27 MHz, 48 MHz, 24.576 MHz, 74.25 MHz and 25 MHz.

4. Includes loading the configuration bits from EEPROM to PLL registers. It does not include EEPROM programming/write time.

5. Actual PLL lock time depends on the loop configuration.

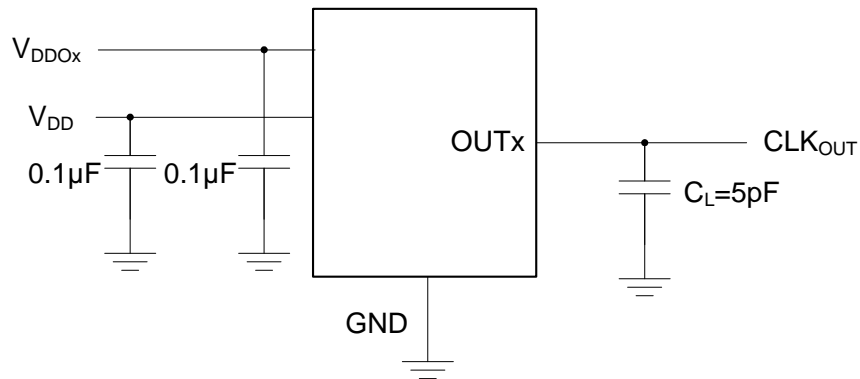
6. With a pullable crystal that conforms to IDT's specifications.

Spread Spectrum Generation Specifications

| Symbol | Parameter | Description | Min | Typ | Max | Unit |
|--------------|-----------------|-------------------------------------------------------|------------|-----|-----------|-------------|
| f_{IN}^1 | Input Frequency | Input Frequency Limit | 1 | | 400 | MHz |
| f_{MOD} | Mod Frequency | Modulation Frequency | | 33 | 120 | kHz |
| f_{SPREAD} | Spread Value | Amount of Spread Value (programmable) - Down Spread | -0.5 | | -4.0 | % f_{OUT} |
| | | Amount of Spread Value (programmable) - Center Spread | ± 0.25 | | ± 2.0 | |

1. Practical lower frequency is determined by loop filter settings.

Test Circuits and Conditions



Test Circuits for DC Outputs

Programming Registers Table

| Addr | Default Register Hex Value | Bit # | | | | | | | | Description |
|------|----------------------------|--------------|---------------|-----------|-----------|---------------|-----|-----|-------|-------------------------------------------------------------------------------------------------------------------------------------------------------------------------------------------|
| | | 7 | 6 | 5 | 4 | 3 | 2 | 1 | 0 | |
| 0x00 | 00 | Reserved | | | | | | | HW/SW | Hardware/Software Mode control HW/SW - 0=HW, 1=SW |
| 0x01 | 00 | Reserved | | | | SEL[2:0] | | | | SEL[2:0] - selects configuration in SW mode |
| 0x02 | 02 | SP | OE6 | OE5 | OE4 | OE3 | OE2 | OE1 | OE0 | OEx=Output Power Suspend function for OUTx ('1'=OUTx will be suspended on SD/OE pin. Disable mode is defined by OEMx bits), '0'=outputs enabled and no association with OE pin (default). |
| 0x03 | 02 | Reserved | OS*[6:0] | | | | | | | OS*[6:0] - output suspend, active low. Overwrites OE setting. |
| 0x04 | 0F | SH | Reserved | | | PLLS*[3:0] | | | | PLLS*[3:0] - PLL Suspend, active low SH - shutdown/OE configuration |
| 0x05 | 04 | Reserved | | | XTCLKSEL | | | | | XTCLKSEL - crystal/clock select. 0=Crytal, 1=ICLK |
| 0x06 | 00 | Reserved | | XDRV[1:0] | | Reserved | | | | Crystal drive finetune XDRV[1:0] - crystal drive strength for VCXO |
| 0x07 | 00 | Reserved | | | XTAL[4:0] | | | | | XTAL[4:0] - crystal cap |
| 0x08 | 00 | GAIN[3:0] | | | | OFFSET[3:0] | | | | VCXO bits |
| 0x09 | 00 | Reserved | | | | | | | | Reserved |
| 0x0A | 10 | CZ0_CFG4 | IP0[2:0]_CFG4 | | | RZ0[3:0]_CFG4 | | | | PLL0 loop parameter |
| 0x0B | 10 | CZ0_CFG5 | IP0[2:0]_CFG5 | | | RZ0[3:0]_CFG5 | | | | |
| 0x0C | 10 | CZ0_CFG0 | IP0[2:0]_CFG0 | | | RZ0[3:0]_CFG0 | | | | |
| 0x0D | 10 | CZ0_CFG1 | IP0[2:0]_CFG1 | | | RZ0[3:0]_CFG1 | | | | |
| 0x0E | 10 | CZ0_CFG2 | IP0[2:0]_CFG2 | | | RZ0[3:0]_CFG2 | | | | |
| 0x0F | 10 | CZ0_CFG3 | IP0[2:0]_CFG3 | | | RZ0[3:0]_CFG3 | | | | |
| 0x10 | 00 | Reserved | D0[6:0]_CFG0 | | | | | | | |
| 0x11 | 00 | Reserved | D0[6:0]_CFG1 | | | | | | | |
| 0x12 | 00 | Reserved | D0[6:0]_CFG2 | | | | | | | |
| 0x13 | 00 | Reserved | D0[6:0]_CFG3 | | | | | | | |
| 0x14 | 00 | Reserved | D0[6:0]_CFG4 | | | | | | | |
| 0x15 | 00 | Reserved | D0[6:0]_CFG5 | | | | | | | |
| 0x16 | 01 | N0[7:0]_CFG4 | | | | | | | | N - Feedback Divider 2 - 4095 (values of "0" and "1" are not allowed) Total feedback with A, using provided calculation |
| 0x17 | 01 | N0[7:0]_CFG5 | | | | | | | | |
| 0x18 | 01 | N0[7:0]_CFG0 | | | | | | | | |
| 0x19 | 01 | N0[7:0]_CFG1 | | | | | | | | |
| 0x1A | 01 | N0[7:0]_CFG2 | | | | | | | | |
| 0x1B | 01 | N0[7:0]_CFG3 | | | | | | | | |
| 0x1C | 00 | A0[3:0]_CFG0 | | | | N0[11:8]_CFG0 | | | | |
| 0x1D | 00 | A0[3:0]_CFG1 | | | | N0[11:8]_CFG1 | | | | |
| 0x1E | 00 | A0[3:0]_CFG2 | | | | N0[11:8]_CFG2 | | | | |
| 0x1F | 00 | A0[3:0]_CFG3 | | | | N0[11:8]_CFG3 | | | | |
| 0x20 | 00 | A0[3:0]_CFG4 | | | | N0[11:8]_CFG4 | | | | |
| 0x21 | 00 | A0[3:0]_CFG5 | | | | N0[11:8]_CFG5 | | | | |

| Addr | Default Register Hex Value | Bit # | | | | | | | | Description |
|------|----------------------------|---------------|---------------|---|---------------|---------------|---------------------------------------------------------------------------------------------------------------------|--------------------------------------------------------------------------------------------------|---------------------------------------------------------------------------------------------------------------------------------------------------------|-------------|
| | | 7 | 6 | 5 | 4 | 3 | 2 | 1 | 0 | |
| 0x22 | 10 | CZ1_CFG4 | IP1[2:0]_CFG4 | | | RZ1[3:0]_CFG4 | | | PLL1 Loop Parameter | |
| 0x23 | 10 | CZ1_CFG5 | IP1[2:0]_CFG5 | | | RZ1[3:0]_CFG5 | | | | |
| 0x24 | 10 | CZ1_CFG0 | IP1[2:0]_CFG0 | | | RZ1[3:0]_CFG0 | | | | |
| 0x25 | 10 | CZ1_CFG1 | IP1[2:0]_CFG1 | | | RZ1[3:0]_CFG1 | | | | |
| 0x26 | 10 | CZ1_CFG2 | IP1[2:0]_CFG2 | | | RZ1[3:0]_CFG2 | | | | |
| 0x27 | 10 | CZ1_CFG3 | IP1[2:0]_CFG3 | | | RZ1[3:0]_CFG3 | | | | |
| 0x28 | 00 | Reserved | D1[6:0]_CFG0 | | | | | PLL1 input divider and input sel D1[6:0] - 127 step Ref Div D1 = 0 means power down. | | |
| 0x29 | 00 | Reserved | D1[6:0]_CFG1 | | | | | | | |
| 0x2A | 00 | Reserved | D1[6:0]_CFG2 | | | | | | | |
| 0x2B | 00 | Reserved | D1[6:0]_CFG3 | | | | | | | |
| 0x2C | 00 | Reserved | D1[6:0]_CFG4 | | | | | | | |
| 0x2D | 00 | Reserved | D1[6:0]_CFG5 | | | | | | | |
| 0x2E | 01 | N1[7:0]_CFG4 | | | | | N - Feedback Divider 2 - 4095 (value of "0" is not allowed) Total feedback with A, using provided calculation | | | |
| 0x2F | 01 | N1[7:0]_CFG5 | | | | | | | | |
| 0x30 | 01 | N1[7:0]_CFG0 | | | | | | | | |
| 0x31 | 01 | N1[7:0]_CFG1 | | | | | | | | |
| 0x32 | 01 | N1[7:0]_CFG2 | | | | | | | | |
| 0x33 | 01 | N1[7:0]_CFG3 | | | | | | | | |
| 0x34 | 00 | N3[11:8]_CFG0 | | | N1[11:8]_CFG0 | | | PLL3 Feedback Divider | | |
| 0x35 | 00 | N3[11:8]_CFG1 | | | N1[11:8]_CFG1 | | | | | |
| 0x36 | 00 | N3[11:8]_CFG2 | | | N1[11:8]_CFG2 | | | | | |
| 0x37 | 00 | N3[11:8]_CFG3 | | | N1[11:8]_CFG3 | | | | | |
| 0x38 | 00 | N3[11:8]_CFG4 | | | N1[11:8]_CFG4 | | | | | |
| 0x39 | 00 | N3[11:8]_CFG5 | | | N1[11:8]_CFG5 | | | | | |
| 0x3A | 00 | CZ2_CFG4 | IP2[2:0]_CFG4 | | | RZ2[3:0]_CFG4 | | | PLL2 Loop Parameter | |
| 0x3B | 00 | CZ2_CFG5 | IP2[2:0]_CFG5 | | | RZ2[3:0]_CFG5 | | | | |
| 0x3C | 00 | CZ2_CFG0 | IP2[2:0]_CFG0 | | | RZ2[3:0]_CFG0 | | | | |
| 0x3D | 00 | CZ2_CFG1 | IP2[2:0]_CFG1 | | | RZ2[3:0]_CFG1 | | | | |
| 0x3E | 00 | CZ2_CFG2 | IP2[2:0]_CFG2 | | | RZ2[3:0]_CFG2 | | | | |
| 0x3F | 00 | CZ2_CFG3 | IP2[2:0]_CFG3 | | | RZ2[3:0]_CFG3 | | | | |
| 0x40 | 00 | Reserved | D2[6:0]_CFG0 | | | | | PLL2 Reference Divide and Input Select D2[6:0] - 127 step Ref Div D2 = 0 means power down. | | |
| 0x41 | 00 | | D2[6:0]_CFG1 | | | | | | | |
| 0x42 | 00 | | D2[6:0]_CFG2 | | | | | | | |
| 0x43 | 00 | | D2[6:0]_CFG3 | | | | | | | |
| 0x44 | 00 | | D2[6:0]_CFG4 | | | | | | | |
| 0x45 | 00 | | D2[6:0]_CFG5 | | | | | | | |
| 0x46 | 01 | N2[7:0]_CFG4 | | | | | N2[7:0] - PLL2 Feedback Divider 2 - 4095 (value of "0" is not allowed). (See Addr 0x4C:0x51 for N2[15:8]) | | | |
| 0x47 | 01 | N2[7:0]_CFG5 | | | | | | | | |
| 0x48 | 01 | N2[7:0]_CFG0 | | | | | | | | |
| 0x49 | 01 | N2[7:0]_CFG1 | | | | | | | | |
| 0x4A | 01 | N2[7:0]_CFG2 | | | | | | | | |
| 0x4B | 01 | N2[7:0]_CFG3 | | | | | | | | |
| 0x4C | 80 | SSENB_CFG0 | 0 | 0 | IP3[4]_CFG0 | N2[11:8]_CFG0 | | | N2[11:8] - PLL2 Feedback Divide PLL3 Spread Spectrum SSENB - Spread Spectrum Enable SSENB = 1 means ON IP3[4:0] - PLL3 Charge Pump Current. | |
| 0x4D | 80 | SSENB_CFG1 | 0 | 0 | IP3[4]_CFG1 | N2[11:8]_CFG1 | | | | |
| 0x4E | 80 | SSENB_CFG2 | 0 | 0 | IP3[4]_CFG2 | N2[11:8]_CFG2 | | | | |
| 0x4F | 80 | SSENB_CFG3 | 0 | 0 | IP3[4]_CFG3 | N2[11:8]_CFG3 | | | | |
| 0x50 | 80 | SSENB_CFG4 | 0 | 0 | IP3[4]_CFG4 | N2[11:8]_CFG4 | | | | |
| 0x51 | 80 | SSENB_CFG5 | 0 | 0 | IP3[4]_CFG5 | N2[11:8]_CFG5 | | | | |
| 0x52 | XX ¹ | Reserved | | | | | | | | |
| 0x53 | XX ¹ | Reserved | | | | | | | | |
| 0x54 | XX ¹ | Reserved | | | | | | | | |

| Addr | Default Register Hex Value | Bit # | | | | | | | | Description |
|------|----------------------------|-----------------|--------------|------------|-----------|---------------|----------|----------|-------------------------------------------------------------------------------------------------------------------------------------------------------------------------------------------------------------------------------------------------|-----------------------------------------------------------------------------------------------|
| | | 7 | 6 | 5 | 4 | 3 | 2 | 1 | 0 | |
| 0x55 | XX ¹ | Reserved | | | | | | | | |
| 0x56 | 00 | IP3[3:0]_CFG4 | | | | RZ3[3:0]_CFG4 | | | | PLL3 Loop Parameter |
| 0x57 | 00 | IP3[3:0]_CFG5 | | | | RZ3[3:0]_CFG5 | | | | |
| 0x58 | 00 | IP3[3:0]_CFG0 | | | | RZ3[3:0]_CFG0 | | | | |
| 0x59 | 00 | IP3[3:0]_CFG1 | | | | RZ3[3:0]_CFG1 | | | | |
| 0x5A | 00 | IP3[3:0]_CFG2 | | | | RZ3[3:0]_CFG2 | | | | |
| 0x5B | 00 | IP3[3:0]_CFG3 | | | | RZ3[3:0]_CFG3 | | | | |
| 0x5C | 03 | Reserved | D3[6:0]_CFG0 | | | | | | | PLL3 Reference Divide and input sel D3[6:0] - 127 step Ref Div D3 = 0 means power down. |
| 0x5D | 03 | Reserved | D3[6:0]_CFG1 | | | | | | | |
| 0x5E | 03 | Reserved | D3[6:0]_CFG2 | | | | | | | |
| 0x5F | 03 | Reserved | D3[6:0]_CFG3 | | | | | | | |
| 0x60 | 03 | Reserved | D3[6:0]_CFG4 | | | | | | | |
| 0x61 | 03 | Reserved | D3[6:0]_CFG5 | | | | | | | |
| 0x62 | 0C | N3[7:0]_CFG4 | | | | | | | N - Feedback Divider 12 - 4095 (values of "0" through "11" are not allowed) | |
| 0x63 | 0C | N3[7:0]_CFG5 | | | | | | | | |
| 0x64 | 0C | N3[7:0]_CFG0 | | | | | | | | |
| 0x65 | 0C | N3[7:0]_CFG1 | | | | | | | | |
| 0x66 | 0C | N3[7:0]_CFG2 | | | | | | | | |
| 0x67 | 0C | N3[7:0]_CFG3 | | | | | | | | |
| 0x68 | 00 | SSVCO[7:0]_CFG0 | | | | | | | SSVCO[7:0] - PLL3 Spread Spectrum Loop Feedback Counter See Addr 0x80:0x85 for SSVCO[15:8] | |
| 0x69 | 00 | SSVCO[7:0]_CFG1 | | | | | | | | |
| 0x6A | 00 | SSVCO[7:0]_CFG2 | | | | | | | | |
| 0x6B | 00 | SSVCO[7:0]_CFG3 | | | | | | | | |
| 0x6C | 00 | SSVCO[7:0]_CFG4 | | | | | | | | |
| 0x6D | 00 | SSVCO[7:0]_CFG5 | | | | | | | | |
| 0x6E | 00 | SS_D3[7:0]_CFG4 | | | | | | | SS_D[7:0] - PLL3 Spread Spectrum Reference Divide | |
| 0x6F | 00 | SS_D3[7:0]_CFG5 | | | | | | | | |
| 0x70 | 00 | SS_D3[7:0]_CFG0 | | | | | | | | |
| 0x71 | 00 | SS_D3[7:0]_CFG1 | | | | | | | | |
| 0x72 | 00 | SS_D3[7:0]_CFG2 | | | | | | | | |
| 0x73 | 00 | SS_D3[7:0]_CFG3 | | | | | | | | |
| 0x74 | 01 | Reserved | | | | | | | | |
| 0x75 | 03 | Reserved | | | | | S1 | S3 | Output Controls S1=1 - OUT1/OUT2 are from DIV1/DIV2 respectively S1=0 - Both from DIV2 S3 =1 - OUT3/OUT6 are from DIV3/DIV6 S3=0 - Both from DIV6 OEM# - output enable mode x0 - tristated 01 - park low 11 - park high | |
| 0x76 | 00 | OEM1[1:0] | SLEW1[1:0] | | INV1[1:0] | | Reserved | | Output Controls INV1 [CLK1, CLK2] [0] - normal [1] - invert clock OEM1 controls OUT1/OUT2 | |
| 0x77 | 00 | | | SLEW2[1:0] | | | | Reserved | | |
| 0x78 | 00 | OEM3[1:0] | | SLEW3[1:0] | | INV3[1:0] | | Reserved | OEM3 controls OUT3 and OUT6 | |
| 0x79 | 00 | Reserved | | | | | | | | |
| 0x7A | 00 | OEM5[1:0] | | SLEW5[1:0] | | INV5[1:0] | | Reserved | OEM5 controls OUT5 and OUT5b | |
| 0x7B | 00 | | | SLEW6[1:0] | | | | Reserved | | |
| 0x7C | XX ¹ | Reserved | | | | | | | | |

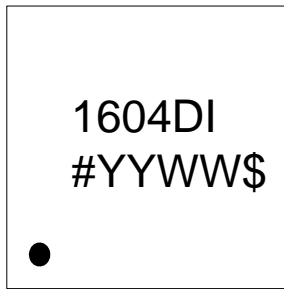
| Addr | Default Register Hex Value | Bit # | | | | | | | | Description |
|------|----------------------------|------------------|--------------|---|---|---|---|---|---|----------------------------------------------------------------------------------------------------------------------------------------------------------------------|
| | | 7 | 6 | 5 | 4 | 3 | 2 | 1 | 0 | |
| 0x7D | XX ¹ | Reserved | | | | | | | | |
| 0x7E | XX ¹ | Reserved | | | | | | | | |
| 0x7F | XX ¹ | Reserved | | | | | | | | |
| 0x80 | 00 | SSVCO[15:8]_CFG0 | | | | | | | | PLL3 Spread Spectrum Feedback Counter |
| 0x81 | 00 | SSVCO[15:8]_CFG1 | | | | | | | | |
| 0x82 | 00 | SSVCO[15:8]_CFG2 | | | | | | | | |
| 0x83 | 00 | SSVCO[15:8]_CFG3 | | | | | | | | |
| 0x84 | 00 | SSVCO[15:8]_CFG4 | | | | | | | | |
| 0x85 | 00 | SSVCO[15:8]_CFG5 | | | | | | | | |
| 0x86 | 00 | Reserved | | | | | | | | |
| 0x87 | 00 | Reserved | | | | | | | | |
| 0x88 | FF | PM1_CFG0 | Q1[6:0]_CFG0 | | | | | | | Output Divides for Q<->111111, PM=0 - Divide by 2 PM=1, (Q+2)*2 for Q=111111 PM=0, disable the output divider PM=1, bypass the output divide, (divide by 1) |
| 0x89 | FF | PM1_CFG1 | Q1[6:0]_CFG1 | | | | | | | |
| 0x8A | FF | PM1_CFG2 | Q1[6:0]_CFG2 | | | | | | | |
| 0x8B | FF | PM1_CFG3 | Q1[6:0]_CFG3 | | | | | | | |
| 0x8C | FF | PM1_CFG4 | Q1[6:0]_CFG4 | | | | | | | |
| 0x8D | FF | PM1_CFG5 | Q1[6:0]_CFG5 | | | | | | | |
| 0x8E | 7F | PM2_CFG4 | Q2[6:0]_CFG4 | | | | | | | |
| 0x8F | 7F | PM2_CFG5 | Q2[6:0]_CFG5 | | | | | | | |
| 0x90 | 7F | PM2_CFG0 | Q2[6:0]_CFG0 | | | | | | | |
| 0x91 | 7F | PM2_CFG1 | Q2[6:0]_CFG1 | | | | | | | |
| 0x92 | 7F | PM2_CFG2 | Q2[6:0]_CFG2 | | | | | | | |
| 0x93 | 7F | PM2_CFG3 | Q2[6:0]_CFG3 | | | | | | | |
| 0x94 | 7F | PM3_CFG0 | Q3[6:0]_CFG0 | | | | | | | |
| 0x95 | 7F | PM3_CFG1 | Q3[6:0]_CFG1 | | | | | | | |
| 0x96 | 7F | PM3_CFG2 | Q3[6:0]_CFG2 | | | | | | | |
| 0x97 | 7F | PM3_CFG3 | Q3[6:0]_CFG3 | | | | | | | |
| 0x98 | 7F | PM3_CFG4 | Q3[6:0]_CFG4 | | | | | | | |
| 0x99 | 7F | PM3_CFG5 | Q3[6:0]_CFG5 | | | | | | | |
| 0x9A | 7F | PM4_CFG4 | Q4[6:0]_CFG4 | | | | | | | |
| 0x9B | 7F | PM4_CFG5 | Q4[6:0]_CFG5 | | | | | | | |
| 0x9C | 7F | PM4_CFG0 | Q4[6:0]_CFG0 | | | | | | | |
| 0x9D | 7F | PM4_CFG1 | Q4[6:0]_CFG1 | | | | | | | |
| 0x9E | 7F | PM4_CFG2 | Q4[6:0]_CFG2 | | | | | | | |
| 0x9F | 7F | PM4_CFG3 | Q4[6:0]_CFG3 | | | | | | | |
| 0xA0 | 7F | PM5_CFG0 | Q5[6:0]_CFG0 | | | | | | | |
| 0xA1 | 7F | PM5_CFG1 | Q5[6:0]_CFG1 | | | | | | | |
| 0xA2 | 7F | PM5_CFG2 | Q5[6:0]_CFG2 | | | | | | | |
| 0xA3 | 7F | PM5_CFG3 | Q5[6:0]_CFG3 | | | | | | | |
| 0xA4 | 7F | PM5_CFG4 | Q5[6:0]_CFG4 | | | | | | | |
| 0xA5 | 7F | PM5_CFG5 | Q5[6:0]_CFG5 | | | | | | | |
| 0xA6 | 7F | PM6_CFG4 | Q6[6:0]_CFG4 | | | | | | | |
| 0xA7 | 7F | PM6_CFG5 | Q6[6:0]_CFG5 | | | | | | | |
| 0xA8 | 7F | PM6_CFG0 | Q6[6:0]_CFG0 | | | | | | | |
| 0xA9 | 7F | PM6_CFG1 | Q6[6:0]_CFG1 | | | | | | | |
| 0xAA | 7F | PM6_CFG2 | Q6[6:0]_CFG2 | | | | | | | |
| 0xAB | 7F | PM6_CFG3 | Q6[6:0]_CFG3 | | | | | | | |

| Addr | Default Register Hex Value | Bit # | | | | | | | | Description |
|------|----------------------------|----------------|---------|--------------------|---|----------------|--------------|----------------------------------------------------------------------------------------------------------------------------------------------------------------------|-----------------------------------------------------------------------------------------------------------------------------------------------------|------------------------------|
| | | 7 | 6 | 5 | 4 | 3 | 2 | 1 | 0 | |
| 0xAC | 00 | TSSC[3:0]_CFG0 | | | | NSSC[3:0]_CFG0 | | | | PLL0 Spread Spectrum Control |
| 0xAD | 00 | TSSC[3:0]_CFG1 | | | | NSSC[3:0]_CFG1 | | | | |
| 0xAE | 00 | TSSC[3:0]_CFG2 | | | | NSSC[3:0]_CFG2 | | | | |
| 0xAF | 00 | TSSC[3:0]_CFG3 | | | | NSSC[3:0]_CFG3 | | | | |
| 0xB0 | 00 | TSSC[3:0]_CFG4 | | | | NSSC[3:0]_CFG4 | | | | |
| 0xB1 | 00 | TSSC[3:0]_CFG5 | | | | NSSC[3:0]_CFG5 | | | | |
| 0xB2 | 00 | DITH_CFG4 | X2_CFG4 | SSOFFSET[5:0]_CFG4 | | | | | | |
| 0xB3 | 00 | DITH_CFG5 | X2_CFG5 | SSOFFSET[5:0]_CFG5 | | | | | | |
| 0xB4 | 00 | DITH_CFG0 | X2_CFG0 | SSOFFSET[5:0]_CFG0 | | | | | | |
| 0xB5 | 00 | DITH_CFG1 | X2_CFG1 | SSOFFSET[5:0]_CFG1 | | | | | | |
| 0xB6 | 00 | DITH_CFG2 | X2_CFG2 | SSOFFSET[5:0]_CFG2 | | | | | | |
| 0xB7 | 00 | DITH_CFG3 | X2_CFG3 | SSOFFSET[5:0]_CFG3 | | | | | | |
| 0xB8 | 11 | SD1[3:0]_CFG0 | | | | SD0[3:0]_CFG0 | | | | |
| 0xB9 | 11 | SD1[3:0]_CFG1 | | | | SD0[3:0]_CFG1 | | | | |
| 0xBA | 11 | SD1[3:0]_CFG2 | | | | SD0[3:0]_CFG2 | | | | |
| 0xBB | 11 | SD1[3:0]_CFG3 | | | | SD0[3:0]_CFG3 | | | | |
| 0xBC | 11 | SD1[3:0]_CFG4 | | | | SD0[3:0]_CFG4 | | | | |
| 0xBD | 11 | SD1[3:0]_CFG5 | | | | SD0[3:0]_CFG5 | | | | |
| 0xBE | AE | SRC1[1:0]_CFG4 | | | | PDPL3_CFG4 | SM[1:0]_CFG4 | PRIMSRC_CFG4 | Output Divide Source Selection | |
| 0xBF | AE | SRC1[1:0]_CFG5 | | | | PDPL3_CFG5 | SM[1:0]_CFG5 | PRIMSRC_CFG5 | PRIMSRC - primary source - crystal or ICLOCK 0 = crystal/REFIN 1 = CLKIN | |
| 0xC0 | AE | SRC1[1:0]_CFG0 | | | | PDPL3_CFG0 | SM[1:0]_CFG0 | PRIMSRC_CFG0 | SM = switch mode 0x = manual 10 = reserved 11 = auto-revertive | |
| 0xC1 | AE | SRC1[1:0]_CFG1 | | | | PDPL3_CFG1 | SM[1:0]_CFG1 | PRIMSRC_CFG1 | PDPL3 - PLL3 shutdown 0 = normal 1 = shut down | |
| 0xC2 | AE | SRC1[1:0]_CFG2 | | | | PDPL3_CFG2 | SM[1:0]_CFG2 | PRIMSRC_CFG2 | SRC = MUX control bit prior to DIV# SRC0[1:0] 00 - DIV1 01 - DIV3 10 - Reference input | |
| 0xC3 | AE | SRC1[1:0]_CFG3 | | | | PDPL3_CFG3 | SM[1:0]_CFG3 | PRIMSRC_CFG3 | | |
| 0xC4 | 24 | | | SRC3[2:0]_CFG0 | | SRC2[2:0]_CFG0 | | SRC1[2]_CFG0 | SRC1/SRC2/SRC3..SRC5 000 - DIV1 001 - DIV3 010 - Reference input 011 - Reserved 100 - PLL0 101 - PLL1 110 - PLL2 111 - PLL3 | |
| 0xC5 | 24 | | | SRC3[2:0]_CFG1 | | SRC2[2:0]_CFG1 | | SRC1[2]_CFG1 | | |
| 0xC6 | 24 | | | SRC3[2:0]_CFG2 | | SRC2[2:0]_CFG2 | | SRC1[2]_CFG2 | | |
| 0xC7 | 24 | | | SRC3[2:0]_CFG3 | | SRC2[2:0]_CFG3 | | SRC1[2]_CFG3 | | |
| 0xC8 | 24 | | | SRC3[2:0]_CFG4 | | SRC2[2:0]_CFG4 | | SRC1[2]_CFG4 | | |
| 0xC9 | 24 | | | SRC3[2:0]_CFG5 | | SRC2[2:0]_CFG5 | | SRC1[2]_CFG5 | | |
| 0xCA | 49 | SRC6[2:0]_CFG4 | | SRC5[2:0]_CFG4 | | | | SRC6 000 - Reserved 001 - Reserved 010 - Reference input 011 - Reserved 100 - Reserved 101 - PLL1 110 - Reserved 111 - Reserved Quiet MUX | | |
| 0xCB | 49 | SRC6[2:0]_CFG5 | | SRC5[2:0]_CFG5 | | | | | | |
| 0xCC | 49 | SRC6[2:0]_CFG0 | | SRC5[2:0]_CFG0 | | | | | | |
| 0xCD | 49 | SRC6[2:0]_CFG1 | | SRC5[2:0]_CFG1 | | | | | | |
| 0xCE | 49 | SRC6[2:0]_CFG2 | | SRC5[2:0]_CFG2 | | | | | | |
| 0xCF | 49 | SRC6[2:0]_CFG3 | | SRC5[2:0]_CFG3 | | | | | | |

Default Configuration: OUT1 = Reference Clock output, all other outputs turned off.

¹. Memory bytes do not exist. Readback will be last value in shift register. If reading sequentially, value in 0x51 will be returned.

Marking Diagram



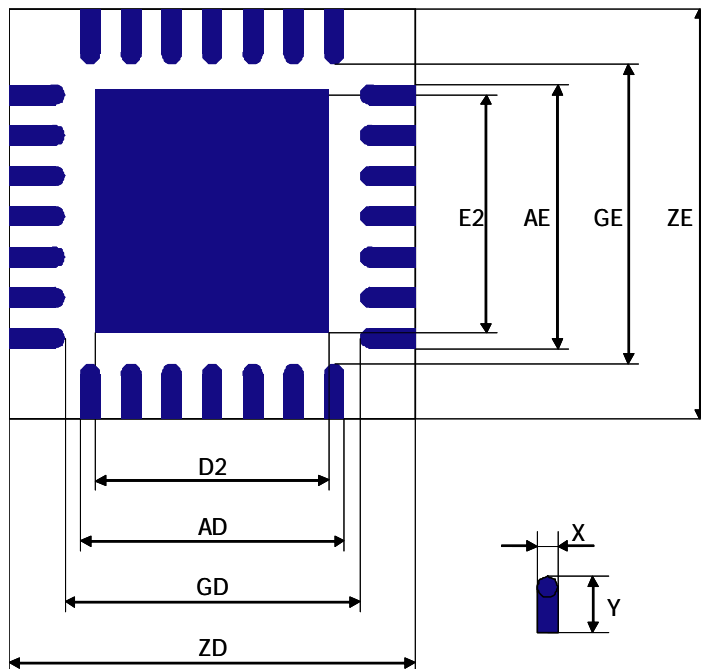
Notes:

1. “#” is the lot number.
2. YYWW is the last two digits of the year and week that the part was assembled.
3. “\$” is the assembly mark code.
4. “I” indicates industrial temperature range.

Thermal Characteristics 28-pin QFN

| Parameter | Symbol | Conditions | Min. | Typ. | Max. | Units |
|----------------------------------------|---------------|------------------|------|------|------|----------------------|
| Thermal Resistance Junction to Ambient | θ_{JA} | Still air | | 47.0 | | $^{\circ}\text{C/W}$ |
| | θ_{JA} | 1 m/s air flow | | 41.8 | | $^{\circ}\text{C/W}$ |
| | θ_{JA} | 2.5 m/s air flow | | 39.2 | | $^{\circ}\text{C/W}$ |
| Thermal Resistance Junction to Case | θ_{JC} | | | 52.9 | | $^{\circ}\text{C/W}$ |

Landing Pattern

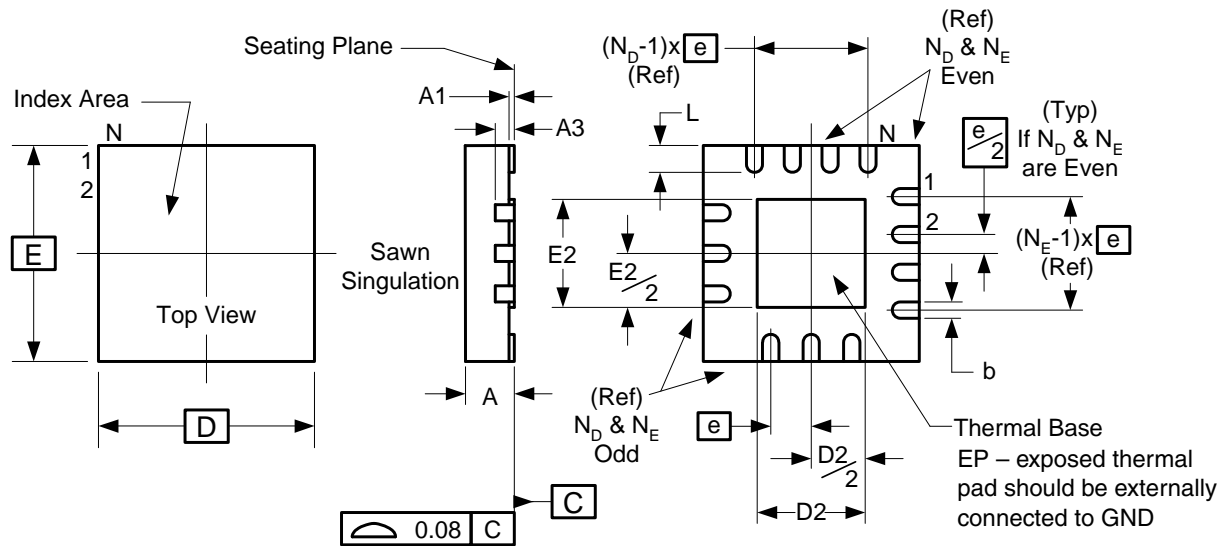


| Dimensions | |
|------------|------|
| X(max) | 0.25 |
| Yref | 0.76 |
| A(max) | 2.65 |
| G(min) | 2.9 |
| Z(max) | 4.41 |
| E2/D2(max) | 2.7 |

Unit : mm

Package Outline and Package Dimensions (28-pin 4mm x 4mm QFN)

Package dimensions are kept current with JEDEC Publication No. 95



| Symbol | Millimeters | |
|-------------|----------------|------|
| | Min | Max |
| A | 0.80 | 1.00 |
| A1 | 0 | 0.05 |
| A3 | 0.20 Reference | |
| b | 0.15 | 0.25 |
| e | 0.40 BASIC | |
| N | 28 | |
| N_D | 7 | |
| N_E | 7 | |
| D x E BASIC | 4.00 x 4.00 | |
| D2 | 2.50 | 2.70 |
| E2 | 2.50 | 2.70 |
| L | 0.30 | 0.50 |

Ordering Information

| Part / Order Number | Marking | Shipping Packaging | Package | Temperature |
|---------------------|-------------|--------------------|------------|---------------|
| 5V19EE604NDGI | See Page 26 | Trays | 28-pin QFN | -40 to +85° C |
| 5V19EE604NDGI8 | See Page 26 | Tape and Reel | 28-pin QFN | -40 to +85° C |

“G” after the two-letter package code are the Pb-Free configuration and are RoHS compliant.

While the information presented herein has been checked for both accuracy and reliability, Integrated Device Technology (IDT) assumes no responsibility for either its use or for the infringement of any patents or other rights of third parties, which would result from its use. No other circuits, patents, or licenses are implied. This product is intended for use in normal commercial applications. Any other applications such as those requiring extended temperature range, high reliability, or other extraordinary environmental requirements are not recommended without additional processing by IDT. IDT reserves the right to change any circuitry or specifications without notice. IDT does not authorize or warrant any IDT product for use in life support devices or critical medical instruments.

Revision History

| Rev. | Date | Originator | Description of Change |
|------|----------|------------|-------------------------------------------------------------------------------------------------------------------------------------------------------------------------------------------------------------------------------------------------------------------------------------------------------------------------------------------------------------------------------------|
| A | 4/22/09 | R.Willner | Advance Information. |
| B | 5/04/09 | R.Willner | Identified VDDX (crystal oscillator power) and AVDD (analog power) on device. |
| C | 6/04/09 | R.Willner | Add default configurations, pull-down resistor values on input pins. Released Datasheet from Advanced Information. |
| D | 06/10/09 | R.Willner | Updates: crystal load specs; "Output Duty Cycle" specs; addresses 0x07, 0x02 and 0xBF in "Programming Registers" table. |
| E | 10/05/09 | R.Willner | Change IP3[3:0] to IP3[4:0]; updated "Programming Registers Table". |
| F | 02/23/10 | R.Willner | Updated Recommended Operation Conditions to include Vddx and AVdd parameters. |
| G | 01/19/11 | R.Willner | Corrected notes for top-side marking. |
| H | 05/04/11 | R.Willner | Added Landing Pattern diagram. |
| J | 04/18/12 | R. Willner | 1. Change description for SDAT and SCLK pins. 2. Add new footnotes to pin descriptions table 3. Added section "Crystal Clock Selection" 4. Added logic diagram and Truth table for "SD/OE Pin Function" section. 5. Corrected register readback values for 0x52~0x54 and 0x7C~0x7F. 6. Update to QFN package drawing - exposed thermal pad callout. |
| K | 06/04/12 | A. Tsui | 1. Updated SD-OE pin description; from (Default is active HIGH) to (Default is active LOW) 2. Updated "OUTn" column in Truth Table with "High-Z" specs and added footnote 2, "High-Z regardless of OEM bits". 3. Updated "SD-OE Pin Function" section to reflect that SP is "0" changed from active HIGH to active LOW, and SP is "1" changed from active LOW to active HIGH. |
| L | 06/18/12 | R.Willner | Added Min/Max spread values to "Spread Spectrum Generation Specifications" table; fMOD - Max. 120kHz; Down Spread - Min. -0.5%, Max. -4.0%; Center Spread - Min. ±0.25%, Max. ±2.0% |
| M | 09/24/12 | R.Willner | Slew Rate (t4) Output Load test conditions were changed from 15pF to 5pF. |

IDT5V19EE604

EEPROM PROGRAMMABLE VCXO CLOCK GENERATOR

CLOCK SYNTHESIZER

IMPORTANT NOTICE AND DISCLAIMER

RENESAS ELECTRONICS CORPORATION AND ITS SUBSIDIARIES (“RENESAS”) PROVIDES TECHNICAL SPECIFICATIONS AND RELIABILITY DATA (INCLUDING DATASHEETS), DESIGN RESOURCES (INCLUDING REFERENCE DESIGNS), APPLICATION OR OTHER DESIGN ADVICE, WEB TOOLS, SAFETY INFORMATION, AND OTHER RESOURCES “AS IS” AND WITH ALL FAULTS, AND DISCLAIMS ALL WARRANTIES, EXPRESS OR IMPLIED, INCLUDING, WITHOUT LIMITATION, ANY IMPLIED WARRANTIES OF MERCHANTABILITY, FITNESS FOR A PARTICULAR PURPOSE, OR NON-INFRINGEMENT OF THIRD-PARTY INTELLECTUAL PROPERTY RIGHTS.

These resources are intended for developers who are designing with Renesas products. You are solely responsible for (1) selecting the appropriate products for your application, (2) designing, validating, and testing your application, and (3) ensuring your application meets applicable standards, and any other safety, security, or other requirements. These resources are subject to change without notice. Renesas grants you permission to use these resources only to develop an application that uses Renesas products. Other reproduction or use of these resources is strictly prohibited. No license is granted to any other Renesas intellectual property or to any third-party intellectual property. Renesas disclaims responsibility for, and you will fully indemnify Renesas and its representatives against, any claims, damages, costs, losses, or liabilities arising from your use of these resources. Renesas' products are provided only subject to Renesas' Terms and Conditions of Sale or other applicable terms agreed to in writing. No use of any Renesas resources expands or otherwise alters any applicable warranties or warranty disclaimers for these products.

(Disclaimer Rev.1.01 Jan 2024)

Corporate Headquarters

TOYOSU FORESIA, 3-2-24 Toyosu,
Koto-ku, Tokyo 135-0061, Japan
www.renesas.com

Trademarks

Renesas and the Renesas logo are trademarks of Renesas Electronics Corporation. All trademarks and registered trademarks are the property of their respective owners.

Contact Information

For further information on a product, technology, the most up-to-date version of a document, or your nearest sales office, please visit www.renesas.com/contact-us/.