
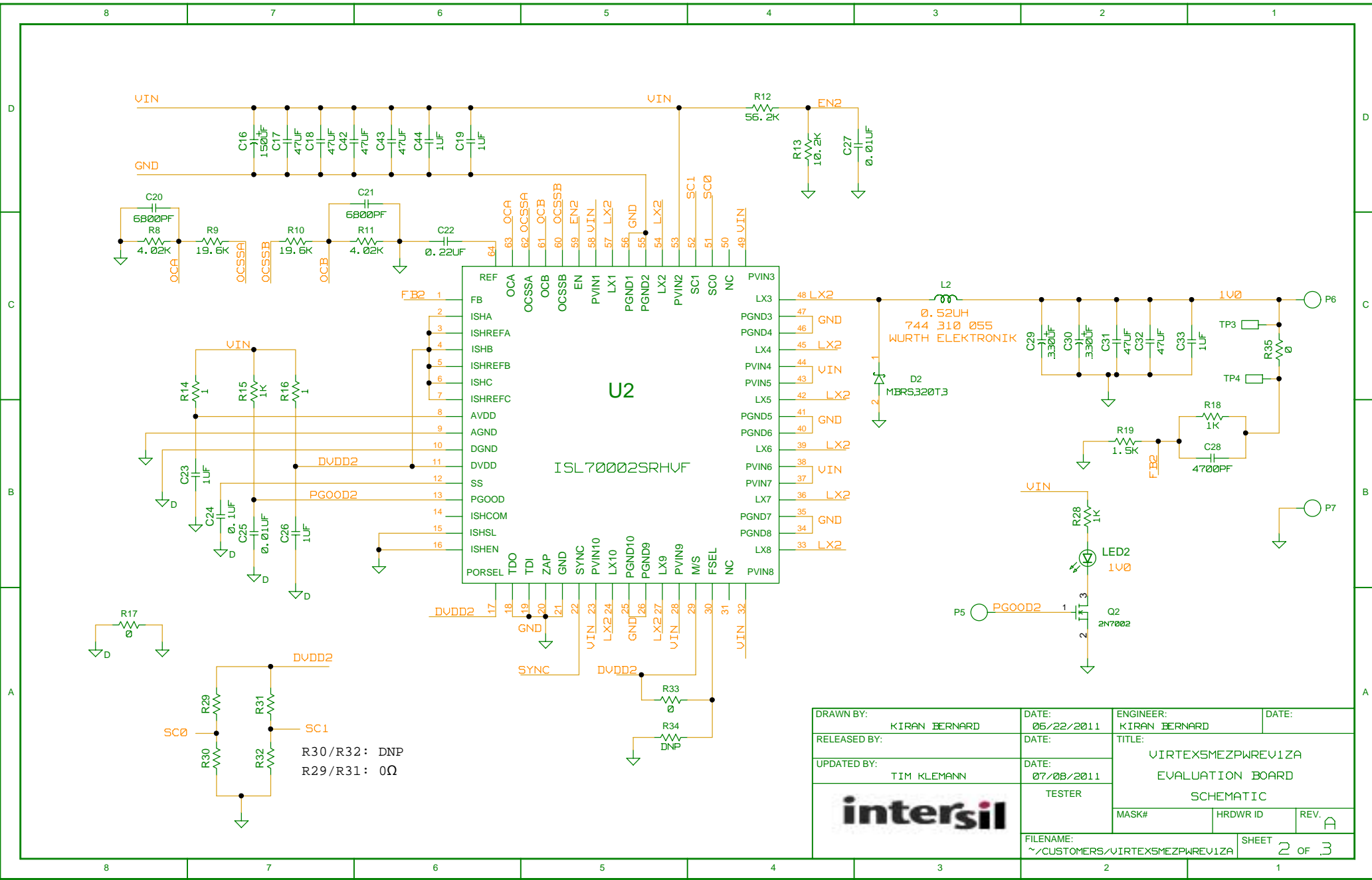
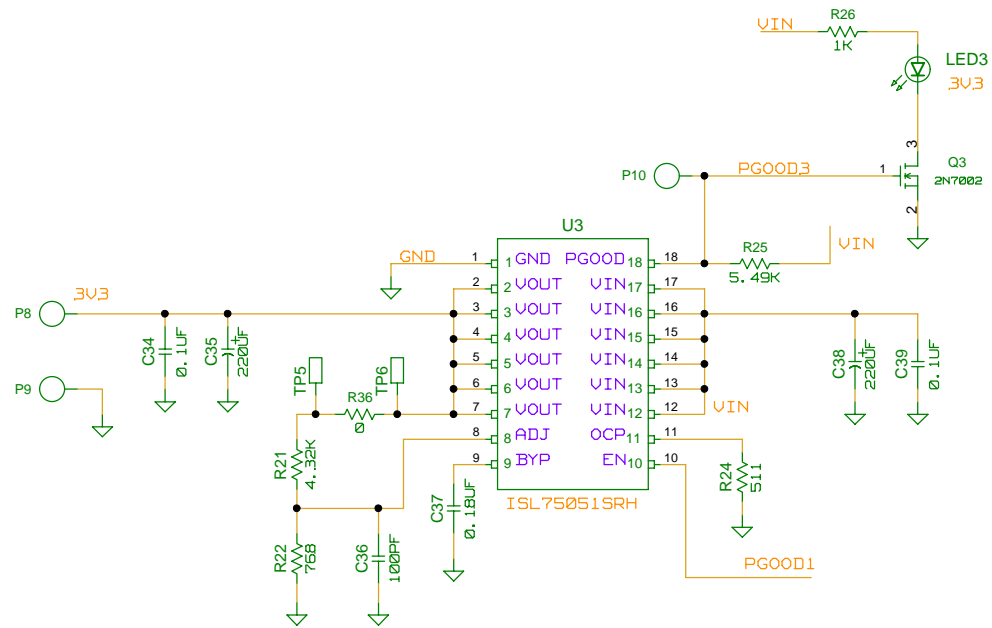



DRAWN BY: KIRAN BERNARD	DATE: 05/22/2011	ENGINEER: KIRAN BERNARD	DATE:
RELEASED BY:	DATE:	TITLE: VIRTEX5MEZPWREVIZA EVALUATION BOARD	
UPDATED BY: TIM KLEMANN	DATE: 07/08/2011	TESTER:	
		FILENAME: ~/CUSTOMERS/VIRTEX5MEZPWREVIZA	SHEET 1 of 3
		MASK#	HRDWR ID



DRAWN BY: KIRAN BERNARD	DATE: 05/22/2011	ENGINEER: KIRAN BERNARD	DATE:
RELEASED BY:	DATE:	TITLE: VIRTEX5MEZPWREV1ZA EVALUATION BOARD	REV. A
UPDATED BY: TIM KLEMMANN	DATE: 07/08/2011	TESTER:	SCHEMATIC
		MASK#	HRDWIR ID
		FILENAME: ~/CUSTOMERS/VIRTEX5MEZPWREV1ZA	SHEET 2 OF 3



DRAWN BY: KIRAN BERNARD	DATE: 06/22/2011	ENGINEER: KIRAN BERNARD	DATE:
RELEASED BY:	DATE:	TITLE: VIRTEX5MEZPWREV1ZA EVALUATION BOARD SCHEMATIC	
UPDATED BY: TIM KLEMANN	DATE: 07/08/2011	TESTER:	REV. A
		MASK#	HRDWR ID
		FILENAME: ~/CUSTOMERS/VIRTEX5MEZPWREV1ZA	SHEET 3 OF 3