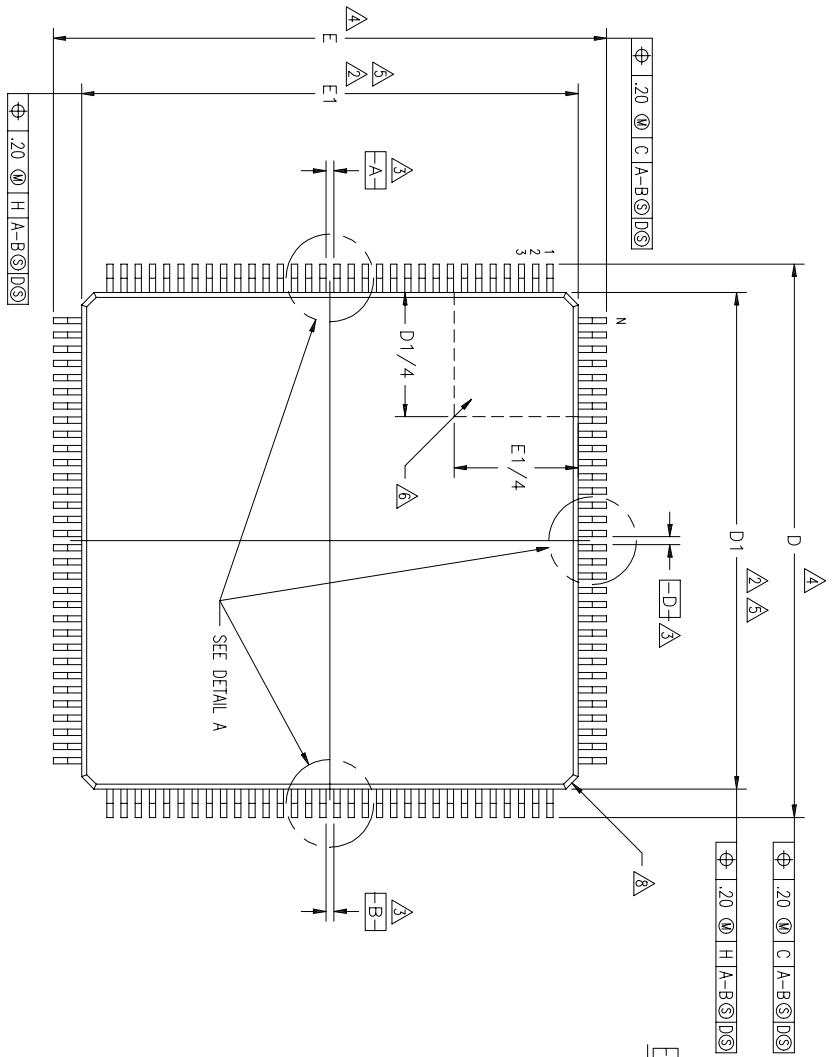
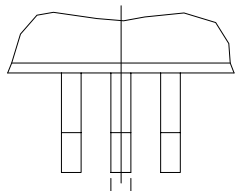
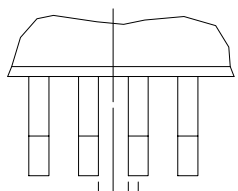


REVISIONS			
REV	DESCRIPTION	DATE	APPROVED
00	INITIAL RELEASE	10/30/95	T. VU
01	ADD "DU" PACKAGE	08/15/96	T. VU
02	ADD 208 LD	11/30/97	T. VU
03	ADD 144 LD	04/10/97	T. VU
04	ADDED PACKAGE CODE	12/12/12	RC

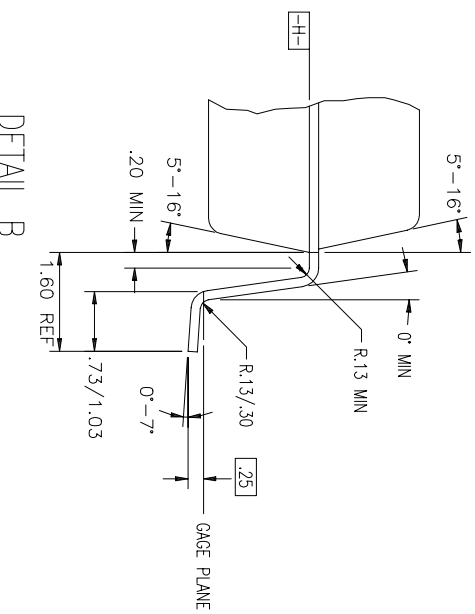


EVEN LEAD SIDES

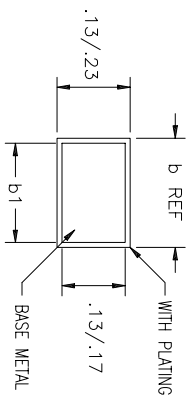
ODD LEAD SIDES



DETAIL A



DETAIL B



SECTION A-A

TOLERANCES UNLESS SPECIFIED		DT Integrated Device Technology, Inc.	
DECIMAL	ANGULAR	6024 SILVERCREAK VALLEY RD	
XXX±	±	SAN JOSE CA 95138	
XXXX±		PHONE: (408) 284-8200	
XXXXX±		FAX: (408) 284-8991	
APPROVALS	DATE	TITLE	PU/DU PACKAGE OUTLINE
DRAWN 97Y	10/30/95	28.0 X 28.0 X 3.40 mm PQFP	
CHECKED		1.60/.25 MIN FORM	
SIZE	DRAWING No.	PSC-4053	REV 04
C			
DO NOT SCALE DRAWING		SHEET 1 OF 2	

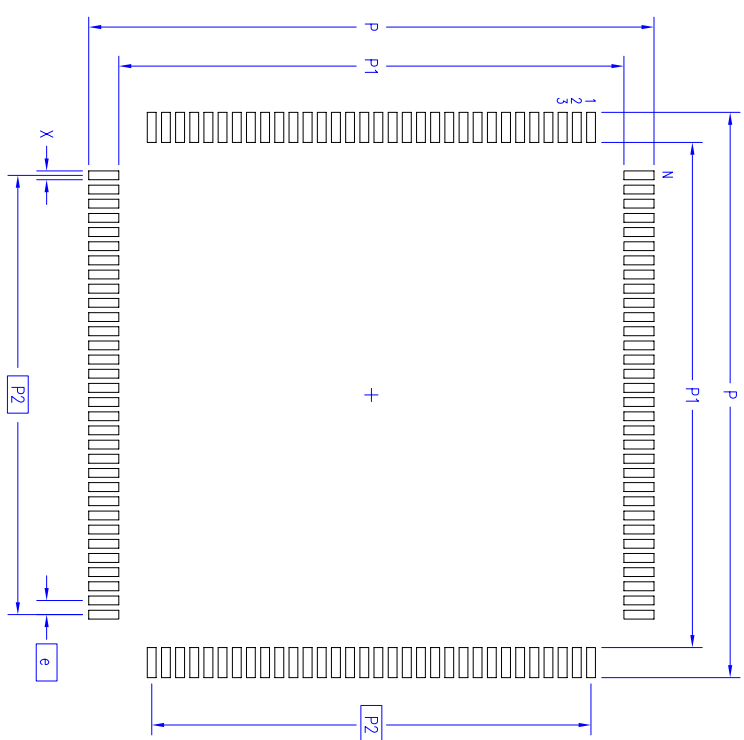
REV	DESCRIPTION	DATE	APPROVED
00	INITIAL RELEASE	10/30/95	T. VU
01	ADD "DU" PACKAGE	08/15/96	T. VU
02	ADD 208 LD	11/30/97	T. VU
03	ADD 144 LD	04/10/98	T. VU
04	ADDED PACKAGE CODE	12/12/12	RC

LAND PATTERN DIMENSIONS

SYMBOL	PU/DU128			PU/DU144			PU/DU208					
	JEDEC VARIATION DB-1	MIN	NOM	MAX	JEDEC VARIATION DC-1	MIN	NOM	MAX	JEDEC VARIATION -	MIN	NOM	MAX
A	-	-	4.07	-	-	-	-	4.07	-	-	-	4.07
A1	.25	-	-	-	.25	-	-	-	-	-	-	-
A2	3.17	3.42	3.67	-	3.17	3.42	3.67	-	-	-	-	-
D	30.95	31.20	31.45	-	30.95	31.20	31.45	-	-	-	-	-
D1	27.90	28.00	28.10	-	27.90	28.00	28.10	-	-	-	-	-
E	30.95	31.20	31.45	-	30.95	31.20	31.45	-	-	-	-	-
E1	27.90	28.00	28.10	-	27.90	28.00	28.10	-	-	-	-	-
N	128			144			208					
e	.80 BSC			.65 BSC			.50 BSC					
b	.30	-	.45	7	.22	-	.40	7	.17	-	.27	7
b1	.30	.35	.40	-	.17	.30	.36	-	.17	.20	.23	-
ccc	-	-	.10	-	-	-	.10	-	-	-	.10	-
ddd	-	-	.20	-	-	-	.13	-	-	-	.08	-

NOTES:

- ALL DIMENSIONING AND TOLERANCING CONFORM TO ANSI Y14.5M-1982
- TOP PACKAGE MAY BE SMALLER THAN BOTTOM PACKAGE BY .15 mm
- DATUMS [A-B] AND [-D-] TO BE DETERMINED AT DATUM PLANE [-H-]
- DIMENSIONS D AND E ARE TO BE DETERMINED AT SEATING PLANE [-C-]
- DIMENSIONS D1 AND E1 DO NOT INCLUDE MOLD PROTRUSION. ALLOWABLE MOLD PROTRUSION IS .25 mm PER SIDE. D1 AND E1 ARE BODY SIZE DIMENSIONS INCLUDING MOLD MISMATCH
- DETAILS OF PIN 1 IDENTIFIER IS OPTIONAL BUT MUST BE LOCATED WITHIN THE ZONE INDICATED
- DIMENSION b DOES NOT INCLUDE DAMBAR PROTRUSION. ALLOWABLE DAMBAR PROTRUSION IS .08 mm IN EXCESS OF THE b DIMENSION AT MAXIMUM MATERIAL CONDITION. DAMBAR CANNOT BE LOCATED ON THE LOWER RADIUS OR THE FOOT.
- EXACT SHAPE OF EACH CORNER IS OPTIONAL
- THESE DIMENSIONS APPLY TO THE FLAT SECTION OF THE LEAD BETWEEN .10 AND .25 mm FROM THE LEAD TIP
- ALL DIMENSIONS ARE IN MILLIMETERS
- THE 128 & 144 LD OUTLINE CONFORMS TO JEDEC PUBLICATION 95 REGISTRATION MS-022, VARIATION DB-1 & DC-1



	MIN	MAX	MIN	MAX	MIN	MAX
P	31.80	32.00	31.80	32.00	31.80	32.00
P1	28.40	28.60	28.40	28.60	28.40	28.60
P2	24.80 BSC		22.75 BSC		25.50 BSC	
X	.40	.60	.30	.50	.30	.40
e	.80 BSC		.65 BSC		.50 BSC	
N	128		144		208	

TOLERANCES UNLESS SPECIFIED

DECIMAL	ANGULAR
±	±

www.IDT.com

IDT Integrated Device Technology, Inc.
6024 SILVERCREEK VALLEY RD
SAN JOSE CA 95138
PHONE: (408) 284-8200
FAX: (408) 284-8591

APPROVALS	DATE	TITLE
DRW	10/30/95	PU/DU PACKAGE OUTLINE
CHECKED		28.0 X 28.0 X 3.40 mm PQFP
		1.60/.25 MIN FORM

SIZE	DRAWING No.	REV
C	PSC-4053	04

DO NOT SCALE DRAWING

SHEET 2 OF 2