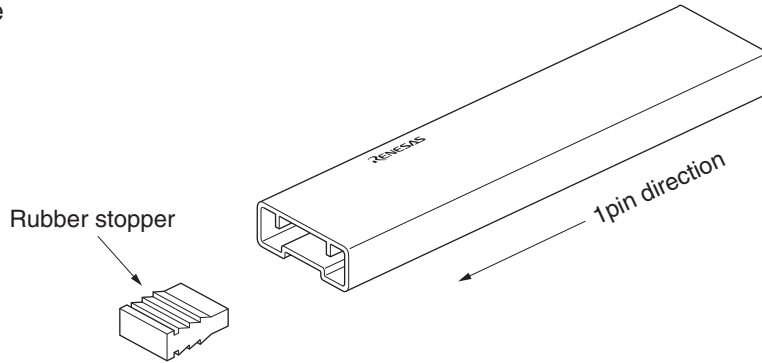


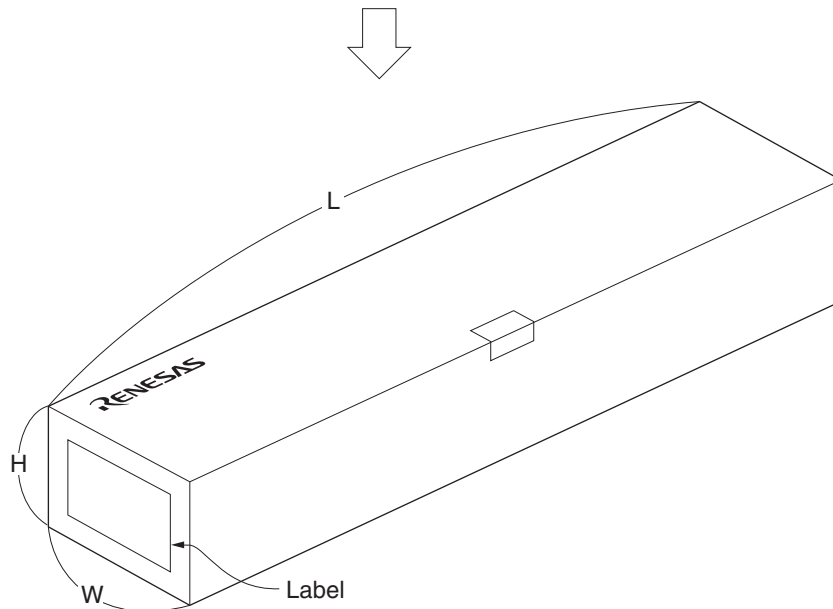
TUBE PACKING

1. CONTAINER

- Magazine



2. INNER BOX



CONTAINER			INNER BOX		
Applied package	Tube	Quantity (pcs)	Dimension(mm) (W x H x L)	Quantity (Tube)	Note
24-pin·Plastic SOP	MM300-05A	MAX. 30	125 x 85 x 540	MAX. 100	Polyethylene bag (50 tubes / bag x 2)
36-pin·Plastic Shrink SOP					Aluminum laminated dry bag (50 tubes / bag x 2)