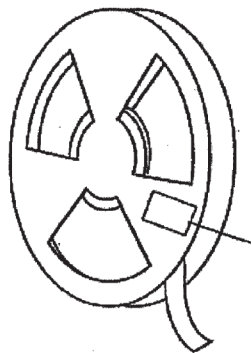
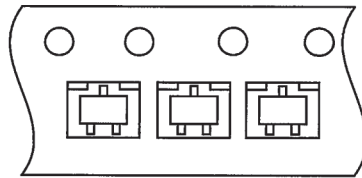


EMBOSSED TAPE PACKING

1. CONTAINER

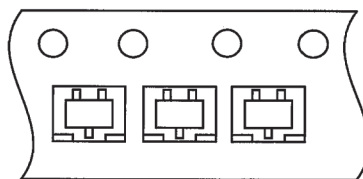


Label



-T1B (SC-59)

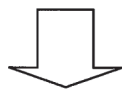
Quantity (pcs)
3000



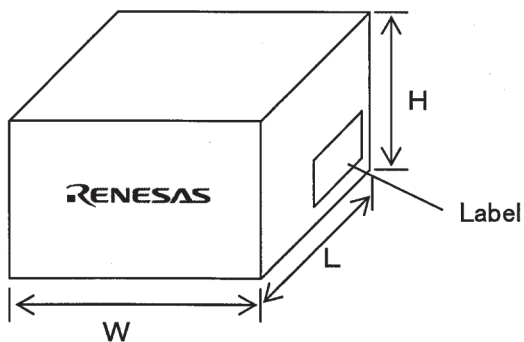
-T2B (SC-59)

LABEL	PRODUCT,NAME,QUANTITY,LOT NUMBER, CLASS, COUNTRY OF ORIGIN
-------	---

Direction of feed →



2. INNER BOX



Dimension (mm) (W × H × L)	Quantity (Reel)
191 × 150 × 191	MAX. 10
191 × 90 × 191	MAX. 5

LABEL	PRODUCT,NAME,QUANTITY,LOT NUMBER, CLASS,COUNTRY OF ORIGIN
-------	--