

DETAIL "K"

(SCALE:4/1)

TRAY STACKING DETAIL

(SCALE:3/1)

TOLERANCES UNLESS OTHERWISE SPECIFIED
 DECIMAL .25
 .XX ± .13
 .XXX ± .13
 ANGLE ±.5°

APPROVALS

DATE

SCALE N/A

SIZE N/A

REV 01

STOCK NO. N/A

DRAWING NO. MSC-5859-A

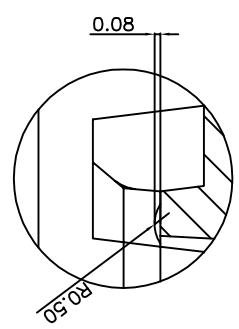
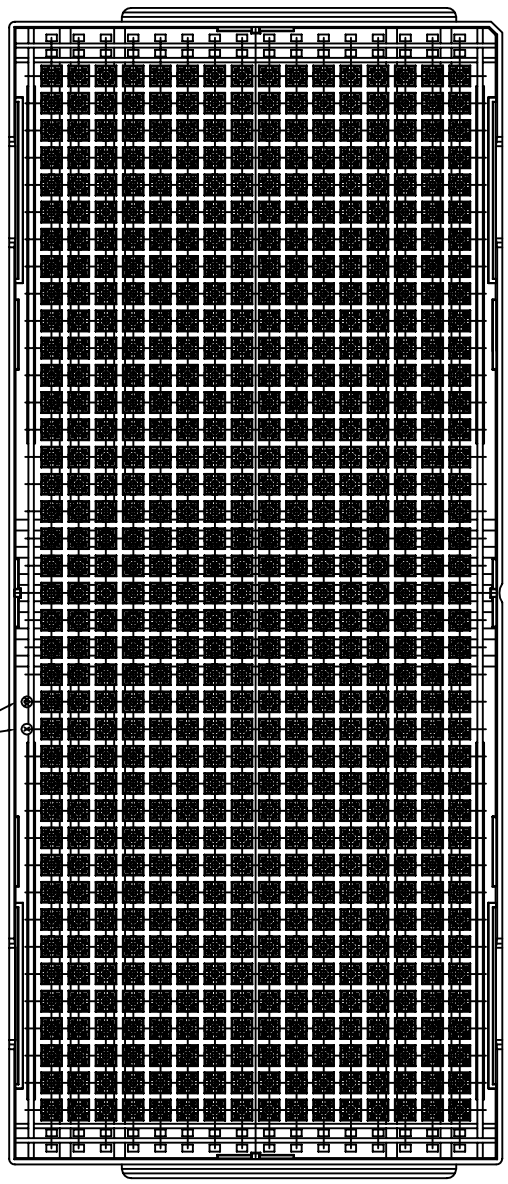
TITLE: NB/NBG 10/12, ND/NDG 20, NL/NLG 16 & NT/NTG 16/20 SHIPPING TRAY

WWW.IDT.COM

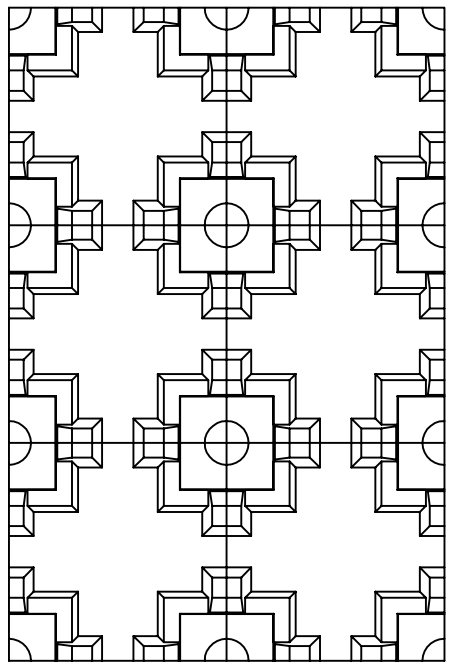
6024 Silver Creek Valley Road, San Jose, CA 95138
 PHONE: (408) 284-8200
 FAX: (408) 284-3572

DO NOT SCALE DRAWING	SHEET 1 OF 3
----------------------	--------------

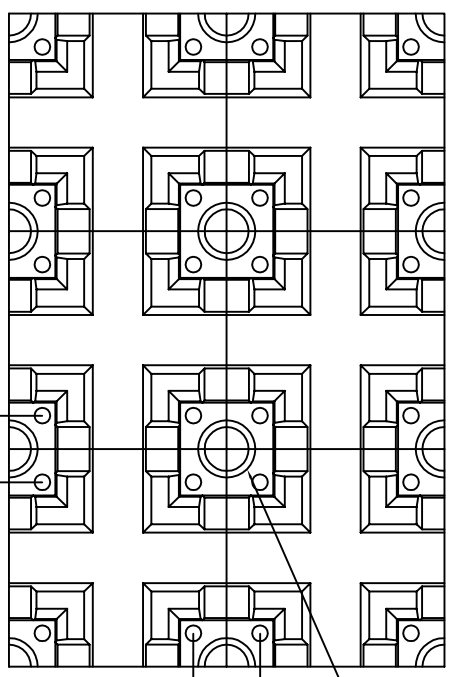
BOTTOM VIEW



DETAIL "G"
(SCALE:20/1)



TOP VIEW
(SCALE:8/1)



BOTTOM VIEW
(SCALE:8/1)

TOLERANCES UNLESS OTHERWISE SPECIFIED
DECIMAL .25
X ± .13
.XX ± .13
ANGLE ± .5°



6024 Silver Creek Valley Road
San Jose, CA 95138
PHONE: (408) 284-6200
FAX: (408) 284-3572

WWW.IDT.COM

APPROVALS	DATE	TITLE	SCALE
		NB/NBG 10/12, ND/NDG 20, NL/NLG	N/A
		16 & NT/NTG 16/20 SHIPPING TRAY	N/A
		STOCK NO. N/A	
		DRAWING NO. MSC-5859-A	
		REV 01	