

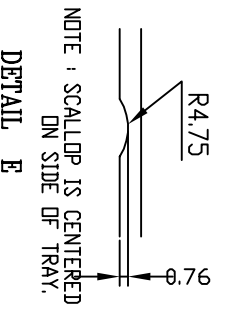
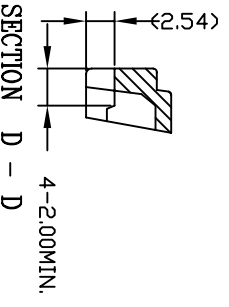
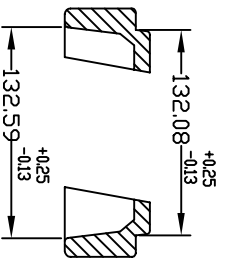
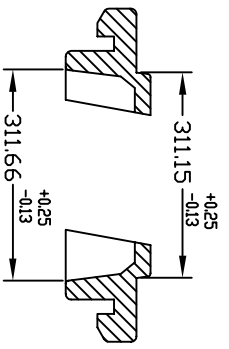
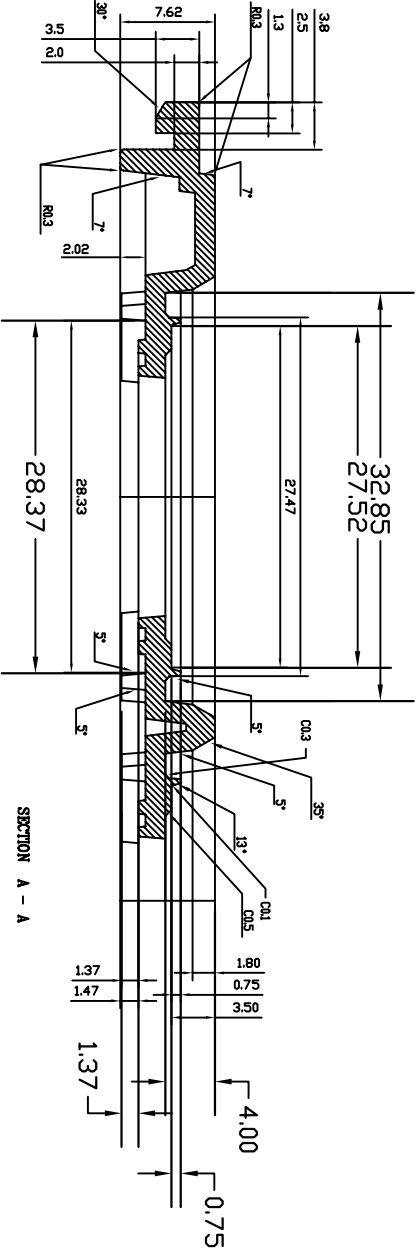
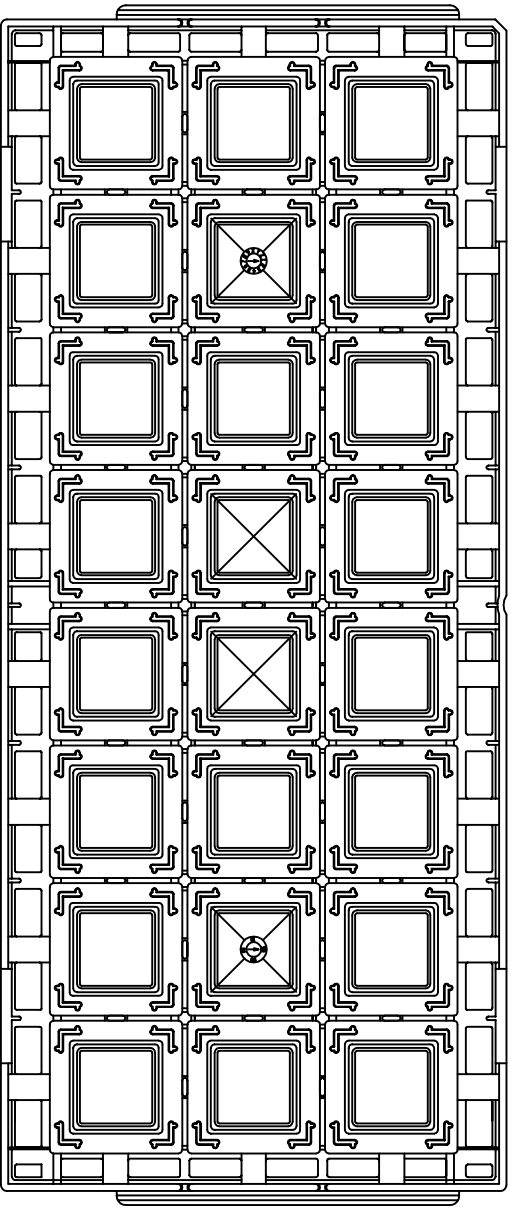
NOTES : (UNLESS OTHERWISE SPECIFIED)
 1. NUMBER OF POCKETS : 3 X 8 = 24 POCKETS

TOLERANCES UNLESS OTHERWISE SPECIFIED		ANGLE	
DECIMAL	±	°	±
.XX	±.25	±.5°	
.XXX	±.13		
XXXX	±.13		

IDT
 6024 Silver Creek Valley Road,
 San Jose, CA 95138
 PHONE: (408) 284-8200
 FAX: (408) 284-3572

APPROVALS	DATE	TITLE:	SCALE
DRAWN		MOFP/POFP 28x28x3.4 MM	N/A
		SHIPPING TRAY	SIZE
			N/A
STOCK NO.	DRAWING NO.	REV	REV
N/A	MSC-5813-A	00	00
DO NOT SCALE DRAWING	SHEET 1	OF 2	

BACK VIEW



NOTE: SCALLP IS CENTERED ON SIDE OF TRAY.

TOLERANCES UNLESS OTHERWISE SPECIFIED		ANGLE	
DECIMAL	±	°	±
.XX	± .13	5°	± .5°
.XXX	± .13		
.XXXX	± .13		

APPROVALS	DATE	
DRAWN		
TITLE: MQFP/PQFP 28x28x3.4 MM SHIPPING TRAY		
STOCK NO.	DRAWING NO.	SCALE
N/A	MSC-5813-A	N/A
REV	REV	SIZE
	00	N/A
DO NOT SCALE DRAWING SHEET 2 OF 2		

IDT	6024 Silver Creek Valley Road, San Jose, CA 95138 PHONE: (408) 284-8200 FAX: (408) 284-3572
www.idt.com	