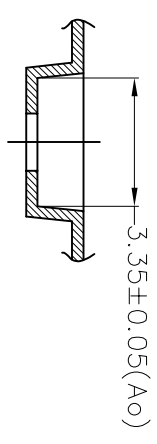
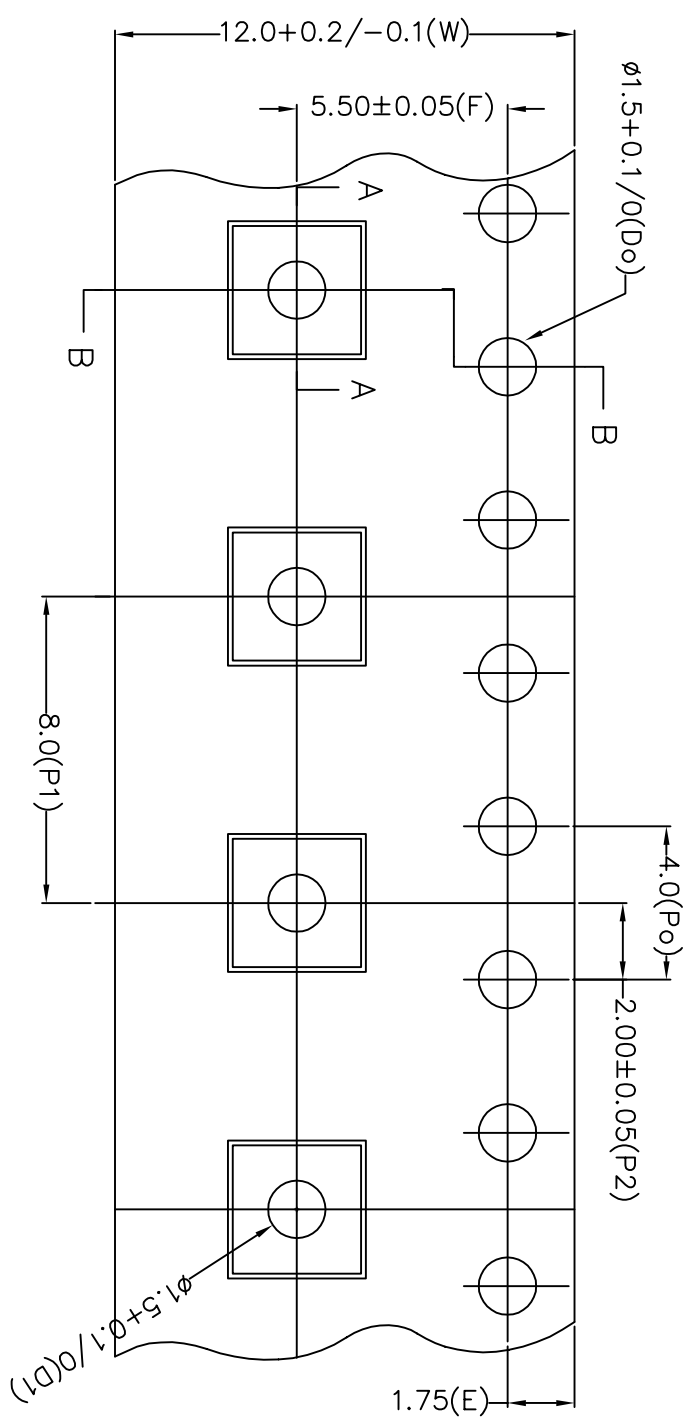


Section B-B



Section A-A

TOLERANCES UNLESS OTHERWISE SPECIFIED  
 DECIMAL : X ±.1  
 .XX ±  
 .XXX ±  
 ANGLE : ±  
 ANGULAR : ±



6024 Silver Creek Valley Road,  
 San Jose, CA 95138  
 PHONE: (408) 284-8200  
 FAX: (408) 284-3572

TITLE: LVG 12, NBG 10, NDG 20, NLG

8/16 & NWG 10 CARRIER TAPE

STOCK NO. N/A

DRAWING NO. MSC-7561-A

DO NOT SCALE DRAWING SHEET 1 OF 1

SCALE N/A

SIZE N/A

REV 01