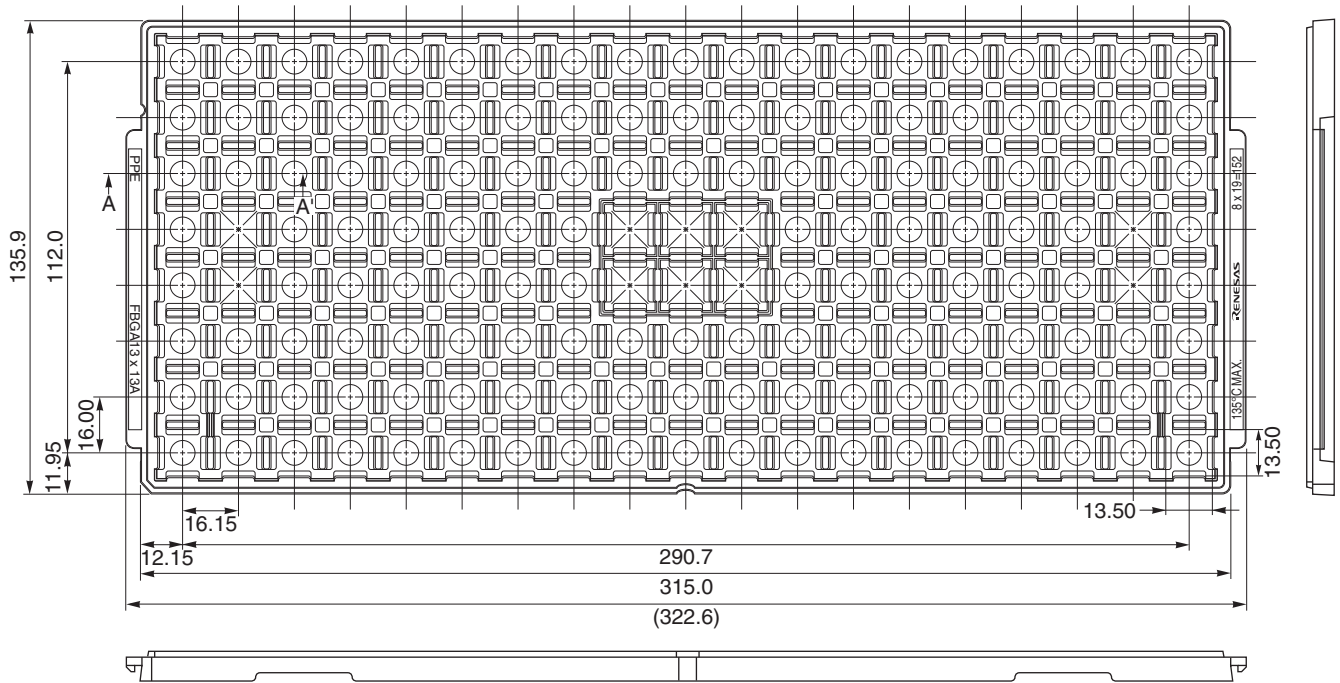
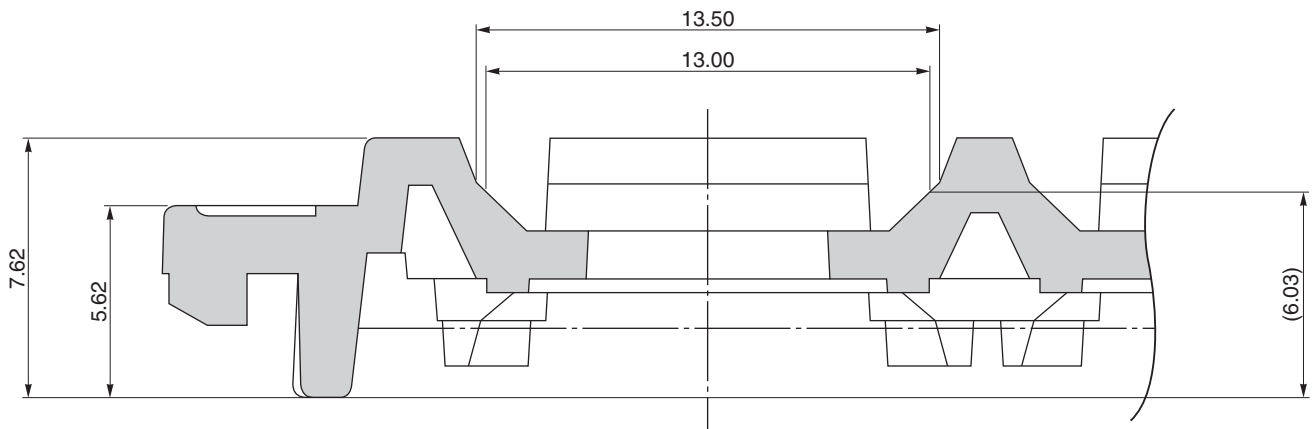


# TRAY CONTAINER

UNIT : mm



## <SECTION A-A'>



Applied Package	Quantity(pcs)	Tray	FBGA13x13A
144-pin Plastic FBGA(13x13)	152 MAX.	Material	Carbon PPE
465-pin Plastic FBGA(13x13)		Heat Proof Temp.	135°C MAX.
		Surface resistance	less than $1 \times 10^{12} \Omega / \square$

The tolerance of tray's dimensions are based on JEDEC STANDARD.