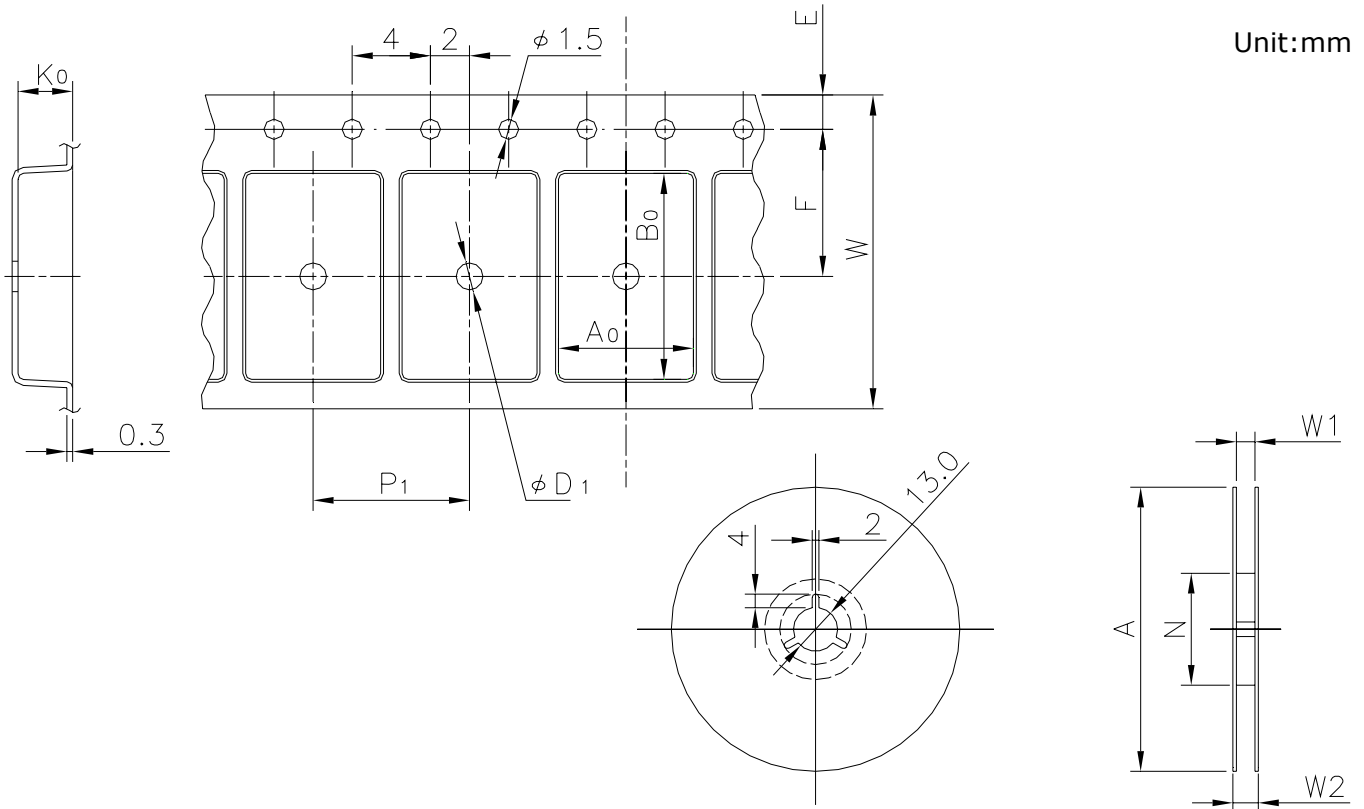


# EMBOSSED TAPE

Taping Code	RENESAS Code	Previous Code
TE1208-17P, 33P, 35P	PTZZ0005DA-A	LFPKV
	PTSP0008DC-A	LFPKV-iV
	PWSN0008DA-A	WPAKV
	PWSN0008DC-A	WPAK(2)V
	PWSN0008DC-B	WPAK(3)V
	PWSN0008DB-A	WPAK-DV
	PWSN0008DB-C	WPAK-D(1)V
	PWSN0008DD-A	WPAK-D(2)V



Tape Dimensions (mm)	W	12.0
	$P_1$	8.0
	$A_0$	6.1
	$B_0$	5.2
	$K_0$	1.9
	F	5.5
	E	1.75
Reel Dimensions (mm)	$D_1$	1.5
	A	330
	N	100
	W1	13.4
	W2	17.4
Maximum storage No. Transistor/Reel		2500
Material		Carbon PS
Surface resistance		Less than $1 \times 10^{11} \Omega/\square$
Packing form		Non dry pack