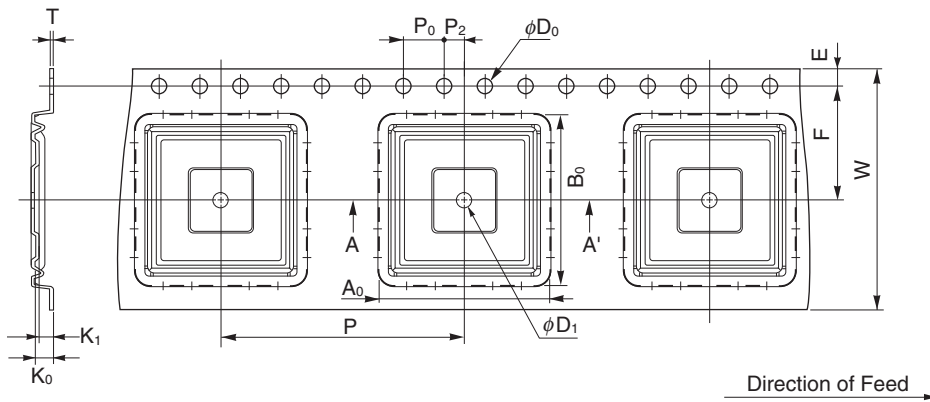


EMBOSS TAPE CONTAINER

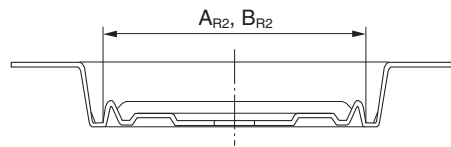
Tape Dimensions



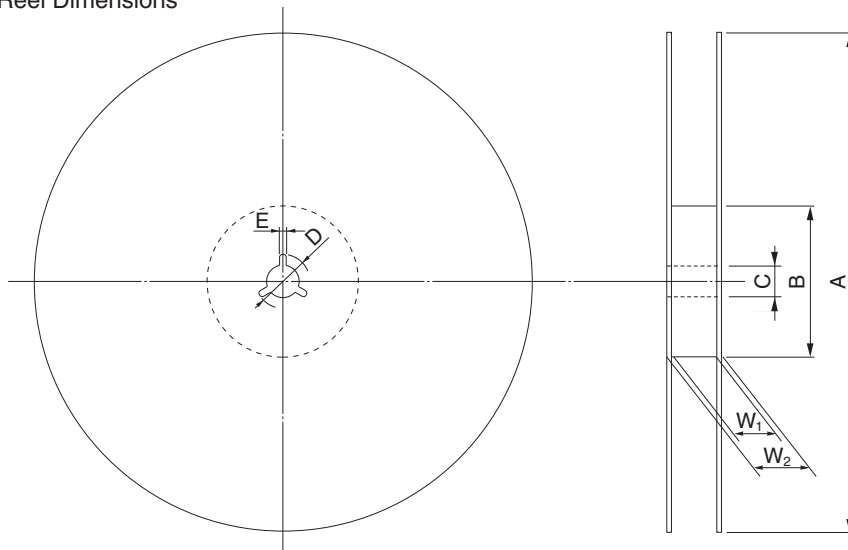
(Unit : mm)

Symbol	Specification
A ₀	17.1
B ₀	17.1
K ₀	1.6
K ₁	1.04
W	24.0±0.3
F	11.5±0.1
E	1.75±0.1
P	24.0±0.1
P ₂	2.0±0.1
P ₀	4.0±0.1
D ₀	1.5 ^{+0.1} ₀
T	0.3
D ₁	1.5 MIN.
A _{R2}	14.77±0.1
B _{R2}	14.77±0.1

Section A – A'



Reel Dimensions



(Unit: mm)

Symbol	Specification
A	φ330±2.0
B	φ100
C	φ13.0±0.2
D	φ21.0±0.8
E	2.0±0.5
W ₁	25.5
W ₂	29.5±1.0

Applied Package	Quantity (pcs)
120-pin Plastic TQFP (1.0 mm thick)	1,000 MAX.