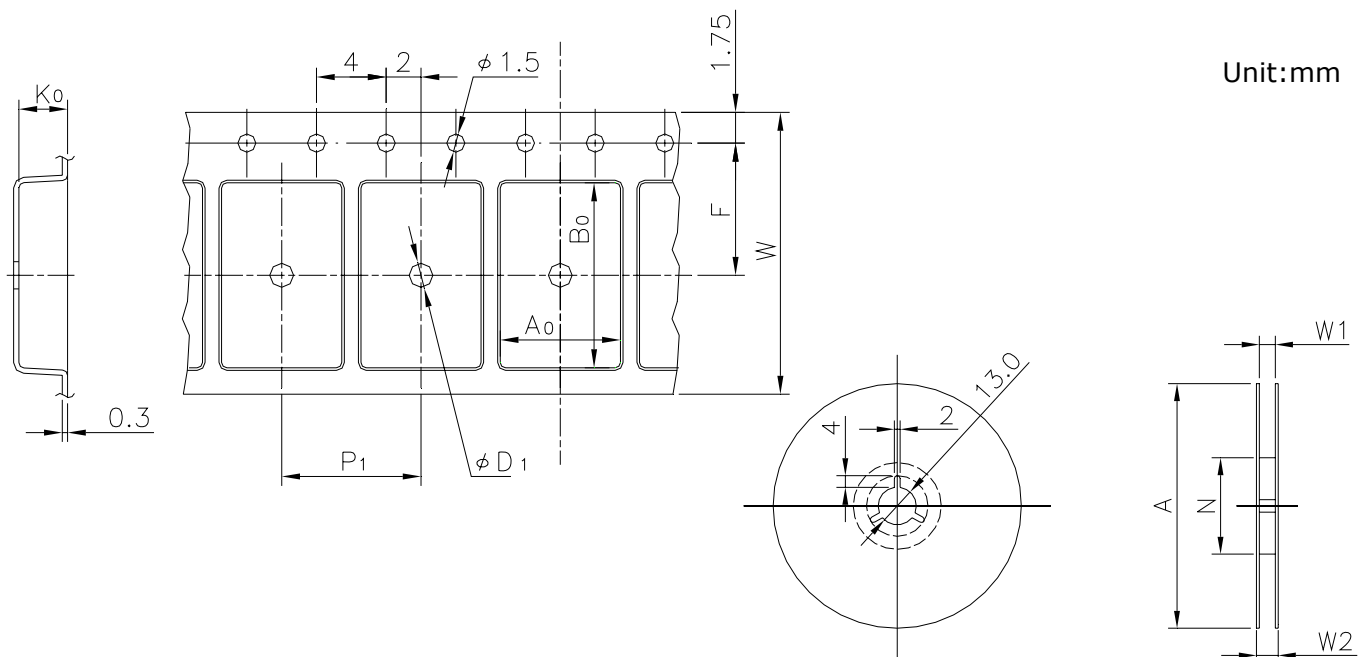


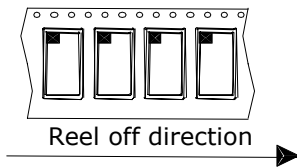
EMBOSED TAPE

Taping Code	RENESAS Code	Previous Code
MTE2416H-28P2W-C	PRSP0042GA-B	42P2R-E
	PRSP0042GA-C	42P2R-D
	PRSP0042GB-A	42P9R-A
	PRSP0042GB-B	42P9R-B
	PRSP0042GB-C	42P9R-C
	PRSP0042GB-D	42P9R-D
	PRSP0042GB-E	42P9R-E
	PRSP0042GB-F	42P9R-F
	PRSP0042GB-G	42P9R-G
	PRSP0042GB-H	42P9R-H
	PRSP0042GB-J	42P9R-J
	PRSP0042GB-K	42P9R-K
	PRSP0042GB-L	42P9R-L
	PRSP0042GB-M	42P9R-M
	PRSP0042GC-A	42P2L-A

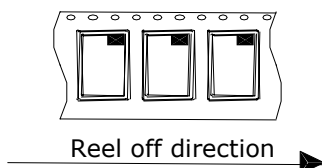


Standard Orientation of Package

The pin 1 is located in the hatching portion.



The pin 1 may also be located in the following portion for reverse bent packages and some QFPs.



Tape Dimensions (mm)	W	24
	P_1	16
	A_0	13.2
	B_0	18.05
	K_0	2.3
	F	11.5
	D_1	2
Reel Dimensions (mm)	A	330
	N	100
	W1	25.4
	W2	29.4
Maximum storage No. IC/Reel		1000
Material		Carbon PS
Surface resistance		Less than $1 \times 10^{11} \Omega / \square$
Packing form		Dry pack