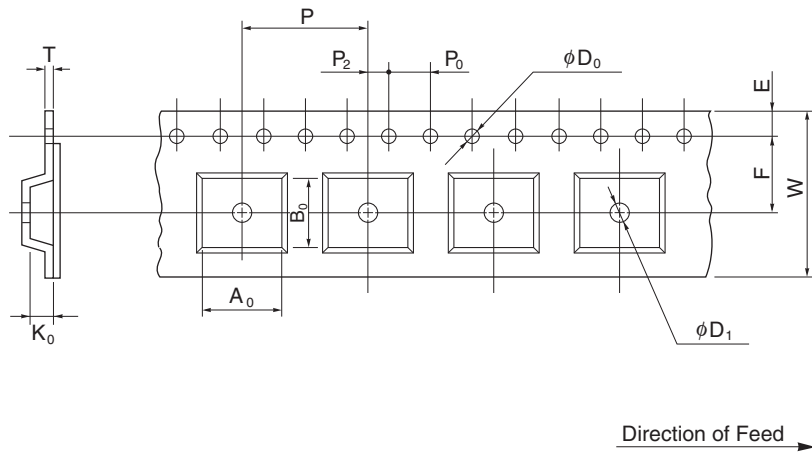


EMBOSS TAPE CONTAINER

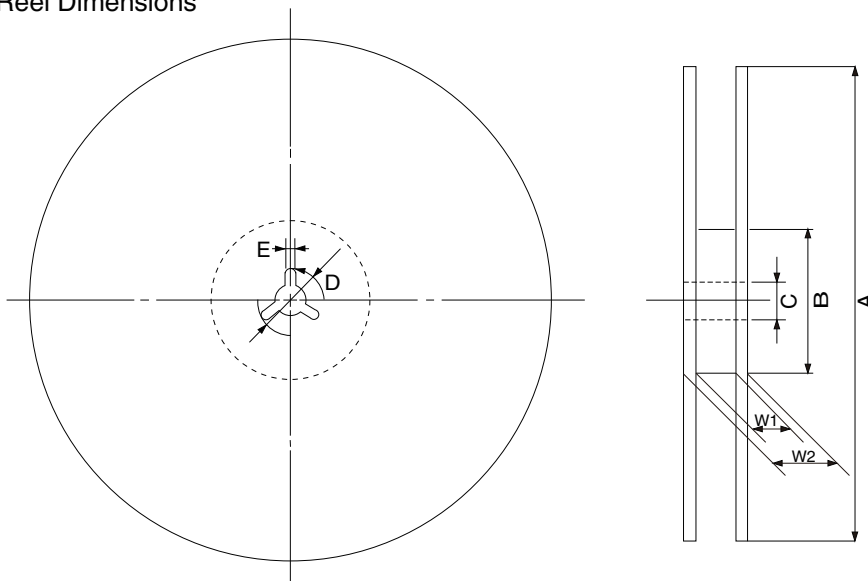
Tape Dimensions



(Unit :mm)

Symbol	Specification
A ₀	8.55
B ₀	8.4
K ₀	2.2
W	16.0±0.3
F	7.5±0.1
E	1.75±0.1
P	12.0±0.1
P ₂	2.0±0.1
P ₀	4.0±0.1
D ₀	1.55 ^{+0.1} ₀
T	0.3
D ₁	1.5 MIN.

Reel Dimensions



(Unit: mm)

Symbol	Specification
A	φ330±2.0
B	φ100
C	φ13.0±0.2
D	φ21.0±0.8
E	2.0±0.5
W ₁	17.5
W ₂	21.5

Applied Package	Quantity (pcs)
24-Pin Plastic Shrink SOP (7.62 mm (300))	MAX. 2500