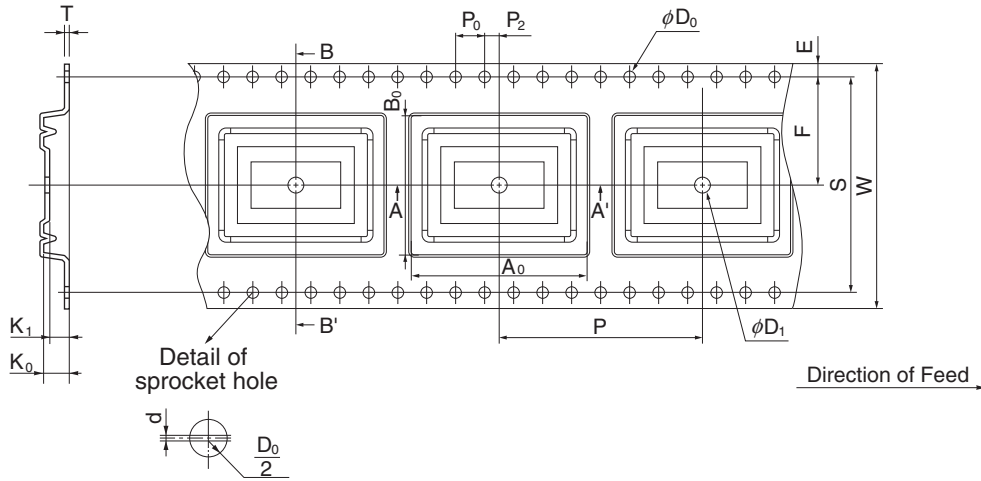


# EMBOSS TAPE CONTAINER

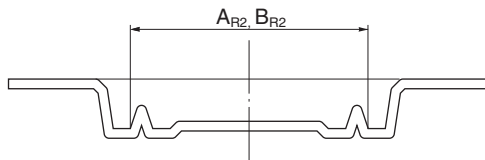
## Tape Dimensions



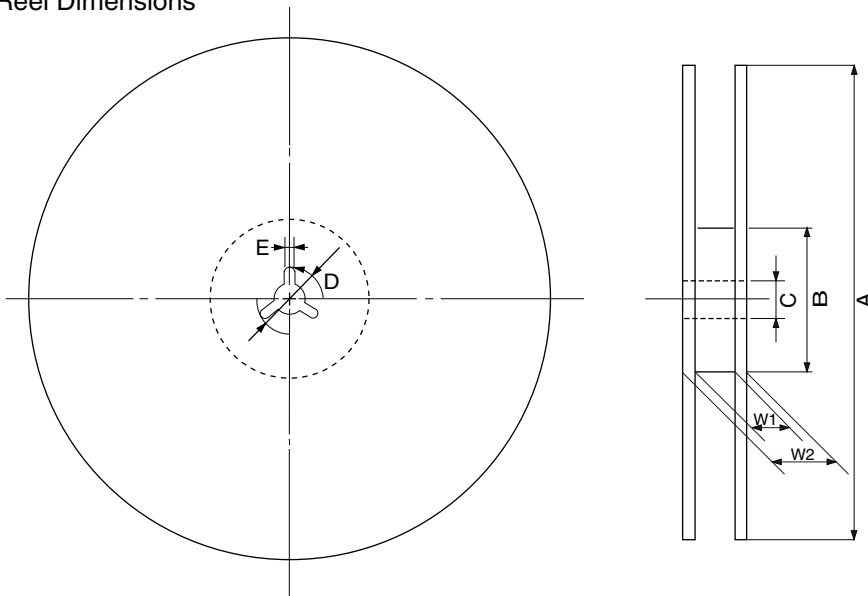
(Unit :mm)

Symbol	Specification
A <sub>0</sub>	24.2
B <sub>0</sub>	18.2
K <sub>0</sub>	3.35
K <sub>1</sub>	2.85
W	32.0±0.3
F	14.2±0.1
E	1.75±0.1
P	28.0±0.1
P <sub>2</sub>	2.0±0.1
P <sub>0</sub>	4.0±0.1
D <sub>0</sub>	1.5 <sup>+0.1</sup> <sub>0</sub>
T	0.3
D <sub>1</sub>	1.5 MIN.
S	28.4±0.1
d	0.2±0.05
A <sub>R2</sub>	21.1
B <sub>R2</sub>	15.1

## <SECTION>



## Reel Dimensions



(Unit:mm)

Symbol	Specification
A	φ330±2.0
B	φ100
C	φ13.0±0.2
D	φ21.0±0.8
E	2.0±0.5
W <sub>1</sub>	33.5
W <sub>2</sub>	37.5

Applied Package	Quantity (pcs)
64-Pin Plastic QFP (2.7mm thick)	500 MAX.