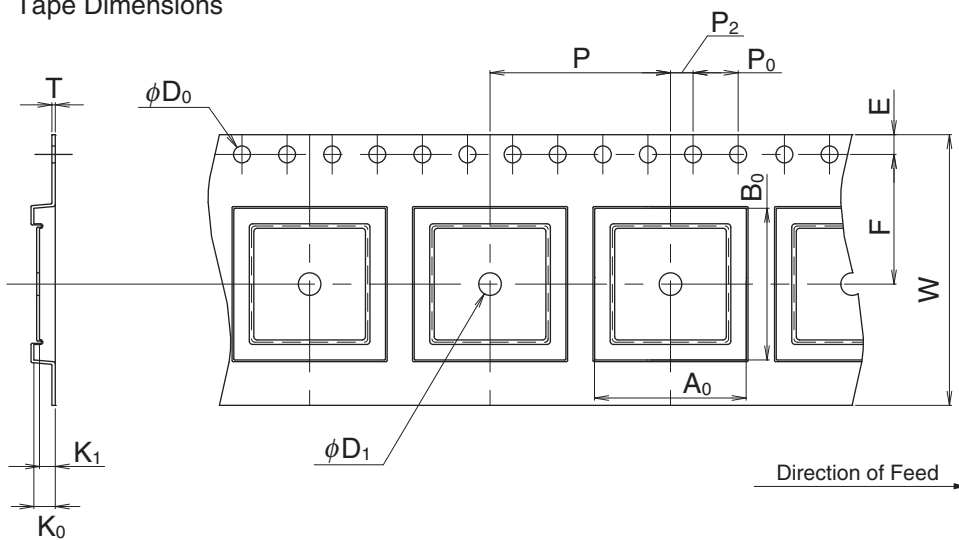


# EMBOSS TAPE CONTAINER

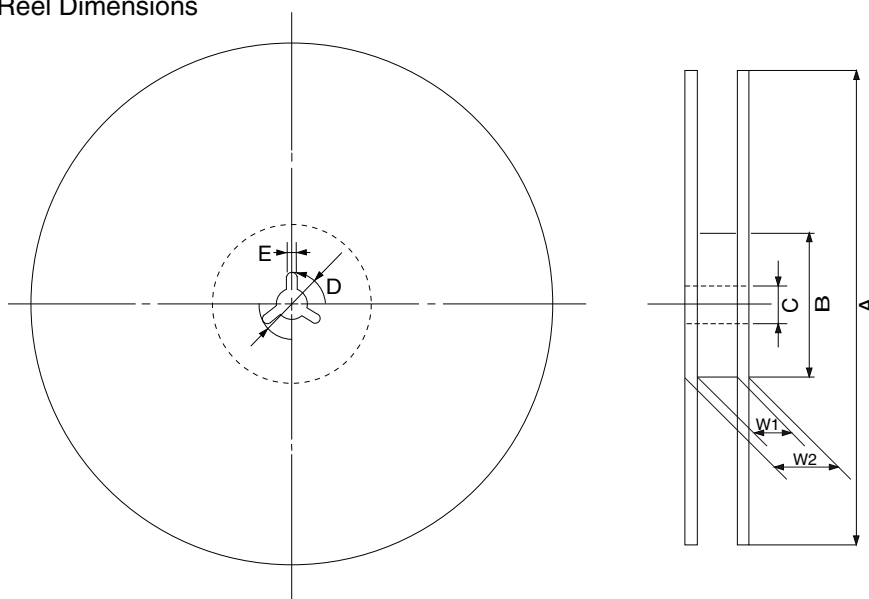
## Tape Dimensions



(Unit : mm)

Symbol	Specification
A <sub>0</sub>	13.45
B <sub>0</sub>	13.45
K <sub>0</sub>	1.9
K <sub>1</sub>	1.4
W	24.0 <sup>+0.3</sup> <sub>-0.1</sub>
F	11.5±0.1
E	1.75±0.1
P	16.0±0.1
P <sub>2</sub>	2.0±0.1
P <sub>0</sub>	4.0±0.1
D <sub>0</sub>	1.5 <sup>+0.1</sup> <sub>0</sub>
T	0.3
D <sub>1</sub>	2.0 MIN.

## Reel Dimensions



(Unit:mm)

Symbol	Specification
A	φ330±2.0
B	φ100
C	φ13.0±0.2
D	φ21.0±0.8
E	2.0±0.5
W <sub>1</sub>	25.5
W <sub>2</sub>	29.5±1.0

Applied Package	Quantity (pcs)
44-pin Plastic LQFP (1.4 mm thick)	1,000 MAX.
52-pin Plastic LQFP (1.4 mm thick)	
64-pin Plastic LQFP (1.4 mm thick)	