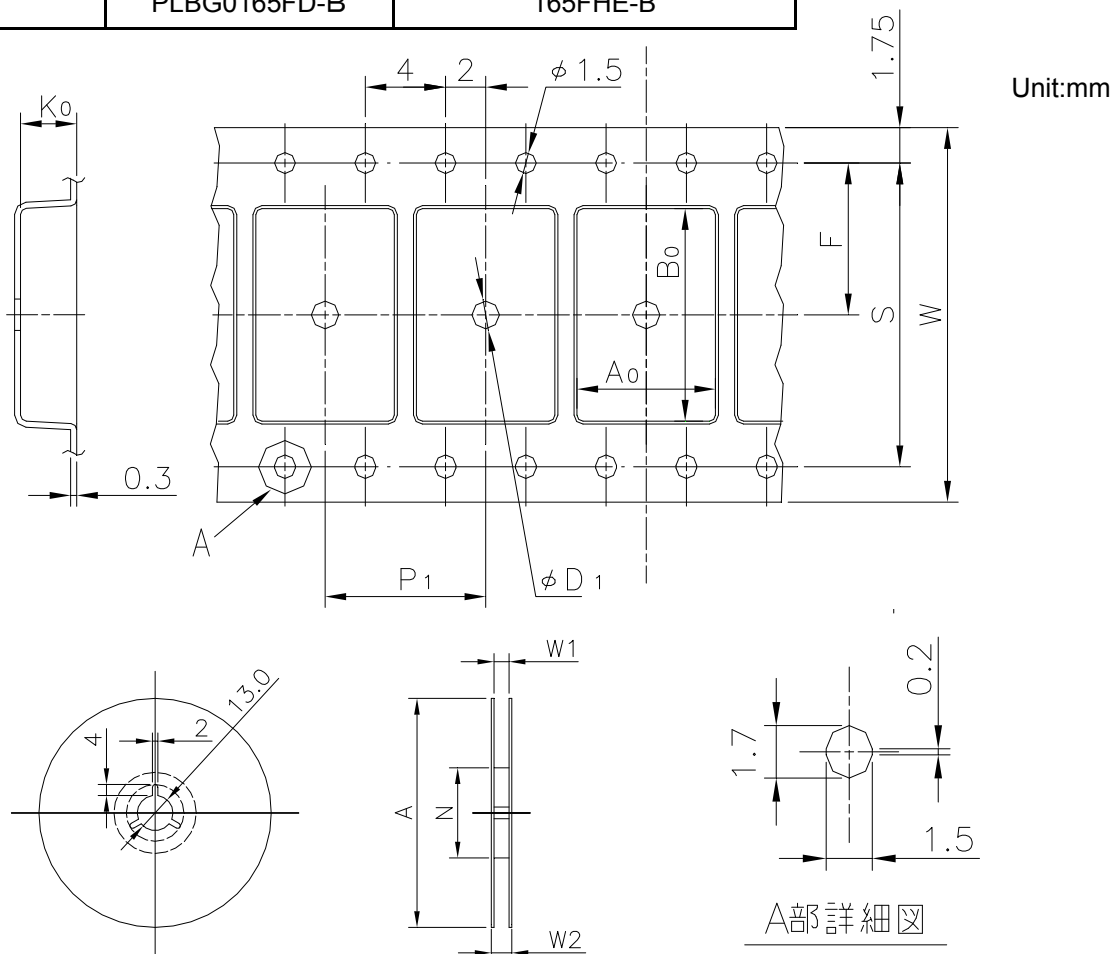


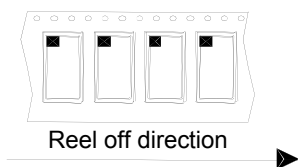
EMBOSED TAPE

Taping code	RENESAS Code	Previous Code
TE3220-6P	PLBG0165FD-A	165FHE-A
	PLBG0165FD-B	165FHE-B

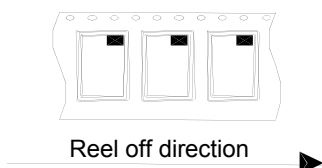


Standard Orientation of Package

The pin 1 is located in the hatching portion.



The pin 1 may also be located in the following portion for reverse bent packages and some QFPs.



Tape Dimensions (mm)	W	32
	P_1	20
	A_0	15.20
	B_0	17.20
	K_0	2.3
	F	14.2
	S	28.4
Reel Dimensions (mm)	D_1	2.0
	A	330
	N	100
	W_1	33.4
	W_2	37.4
Maximum storage No. IC/Reel		1000
Material		Carbon PS
Surface resistance		Less than $1 \times 10^{11} \Omega / \square$
Packing form		Dry pack