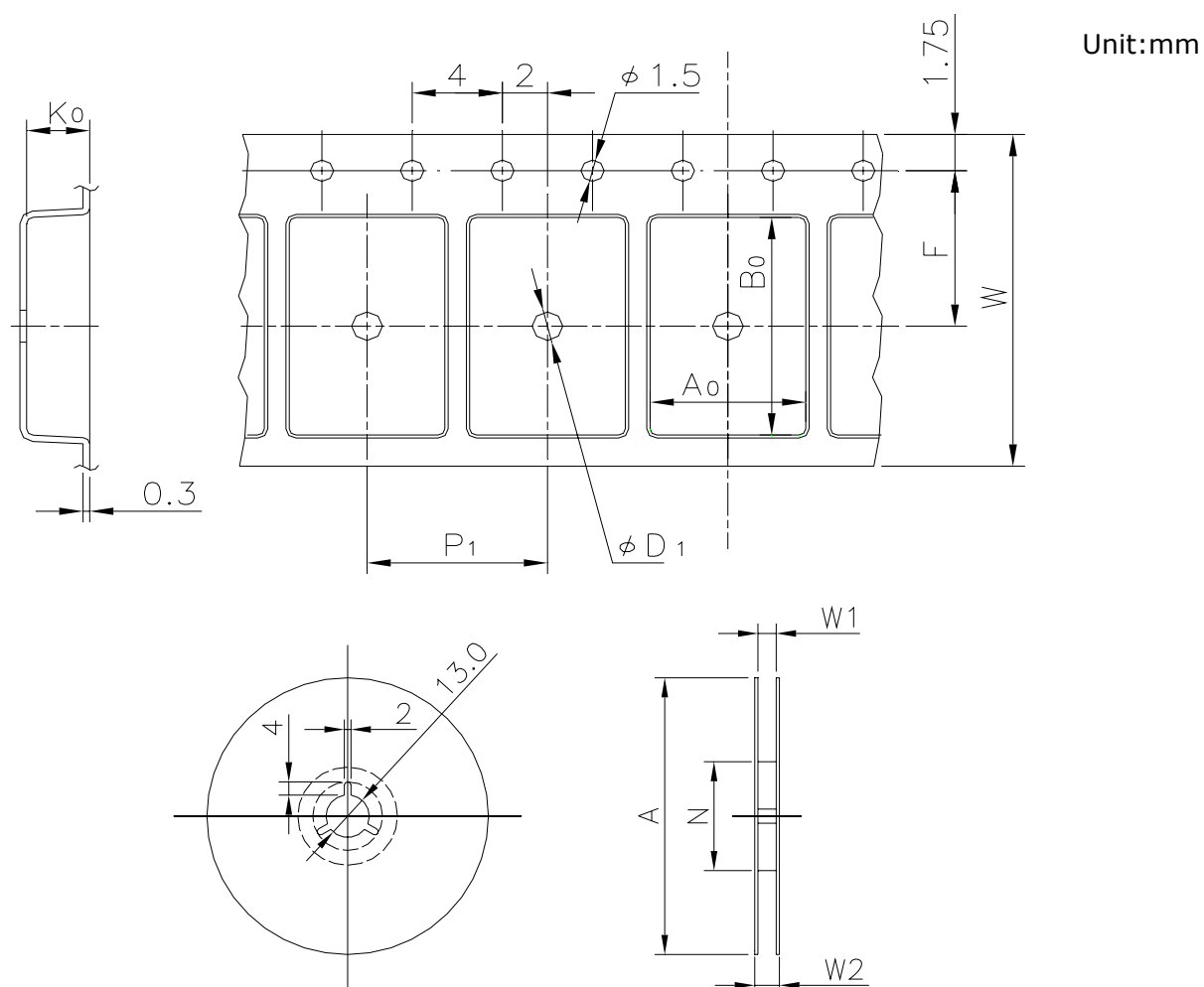


EMBOSSED TAPE

Taping Code	RENESAS Code	Previous Code
TE0804-44P	PWQN0008ZA-A	TNP-8TV



Tape Dimensions (mm)	W	8.0
	P_1	8.0
	A_0	2.3
	B_0	2.3
	K_0	1.15
	F	3.5
	D_1	1.0
Reel Dimensions (mm)	A	178
	N	60
	W1	9
	W2	11.4
Maximum storage No. Transistor/Reel		2000
Material		Carbon PS
Surface resistance		Less than $1 \times 10^{11} \Omega/\square$
Packing form		Non dry pack