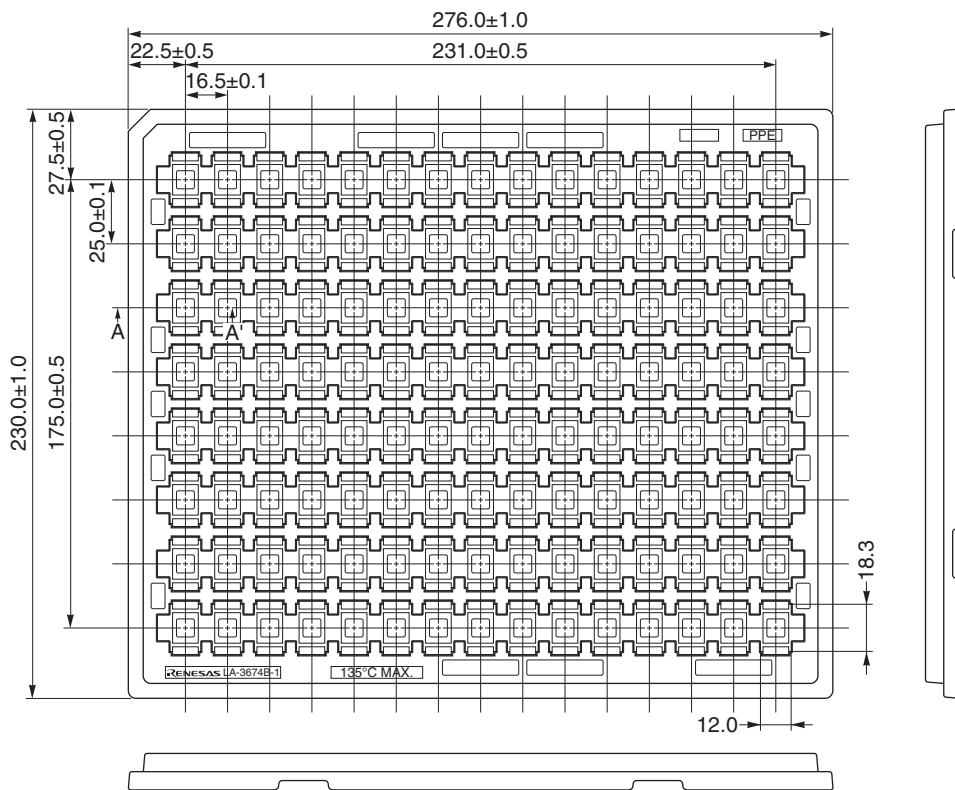
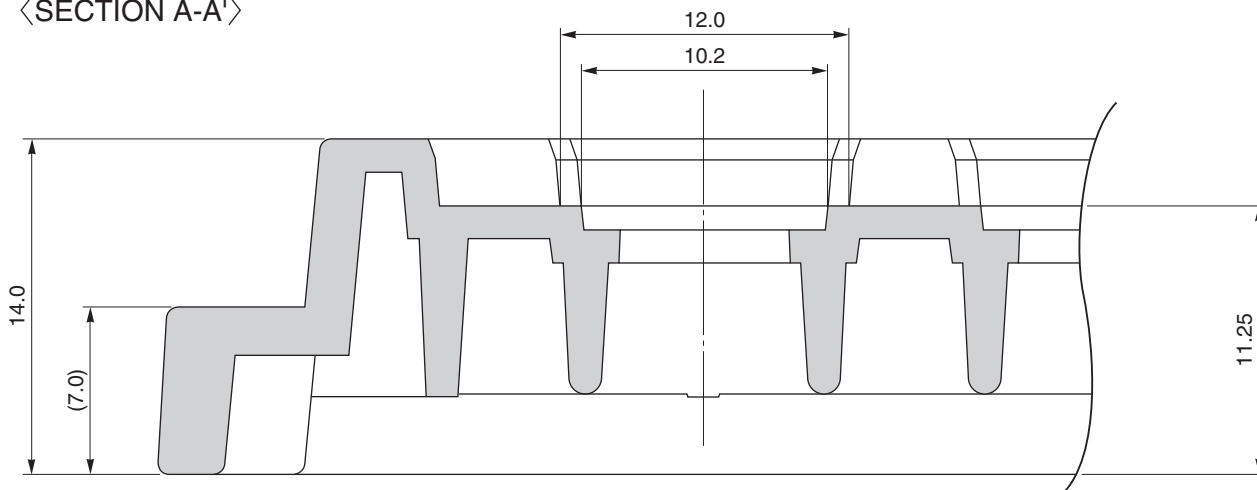


TRAY CONTAINER

UNIT : mm



<SECTION A-A'>



Applied Package	Quantity (pcs)	Tray	LA-3674B-1
24-pin Plastic Shrink SOP	120 MAX.	Material	Carbon PPE
		Heat Proof Temp.	135°C MAX.
		Surface resistance	less than $1 \times 10^{12} \Omega / \square$