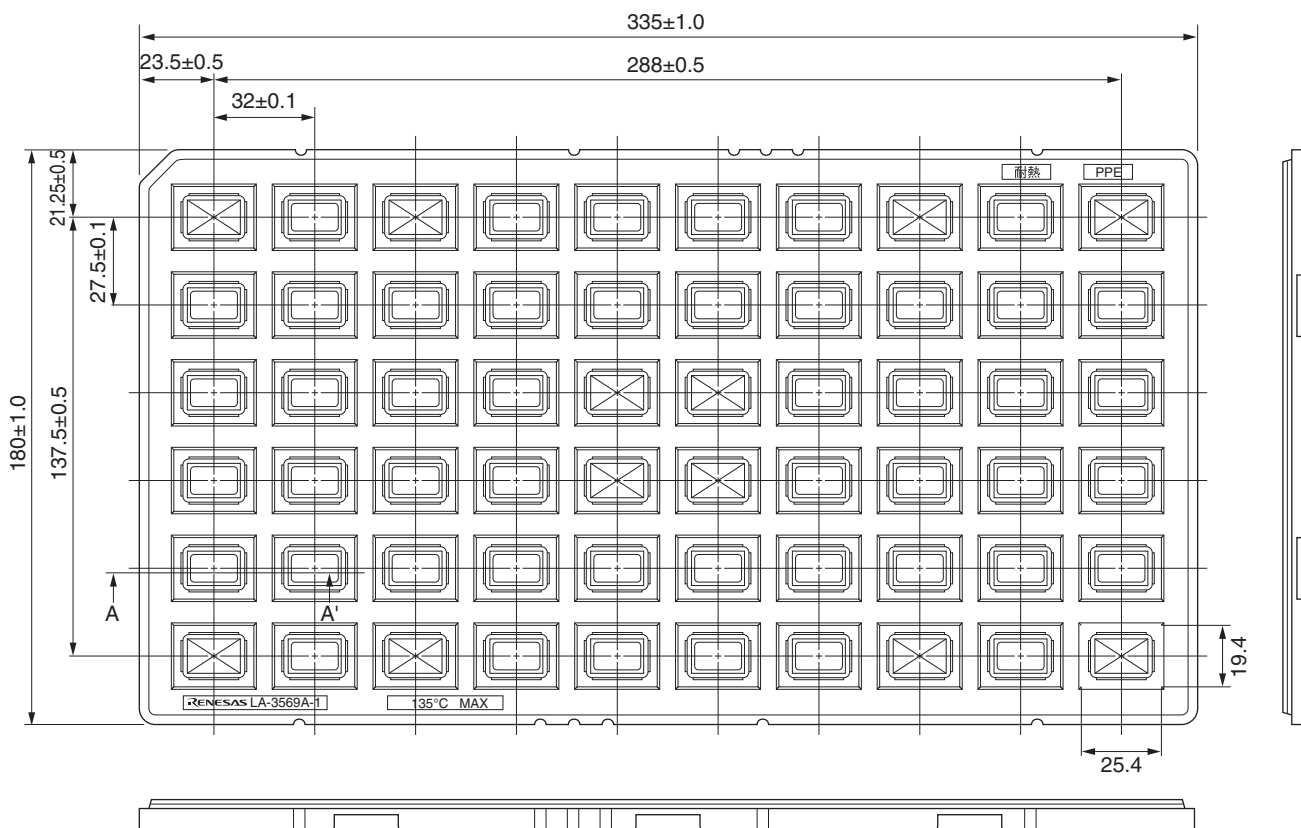
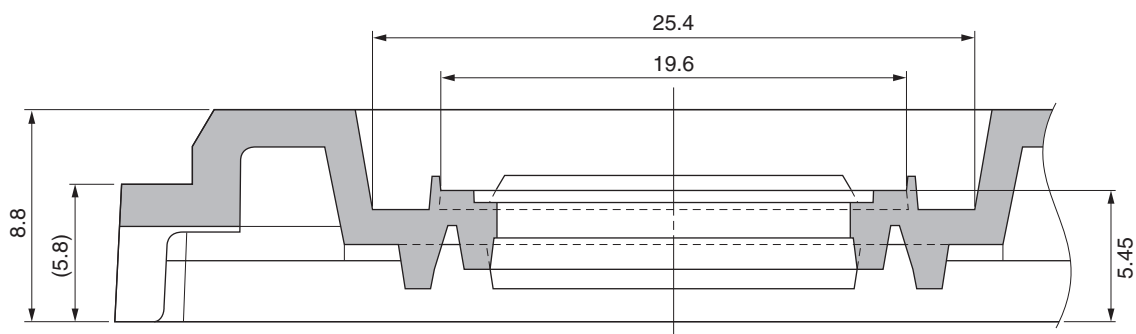


TRAY CONTAINER

UNIT : mm



< SECTION A-A' >



Applied Package	Quantity (pcs)
64-pin-Plastic QFP (2.55mm, 2.7mm thick)	MAX. 60
80-pin-Plastic QFP (2.55mm, 2.7mm thick)	MAX. 60
100-pin-Plastic QFP (2.55mm, 2.7mm thick)	MAX. 60

Tray	LA-3569A-1
Material	Carbon PPE
Heat Proof Temp.	135°C
Surface resistance	less than $1 \times 10^6 \Omega / \square$