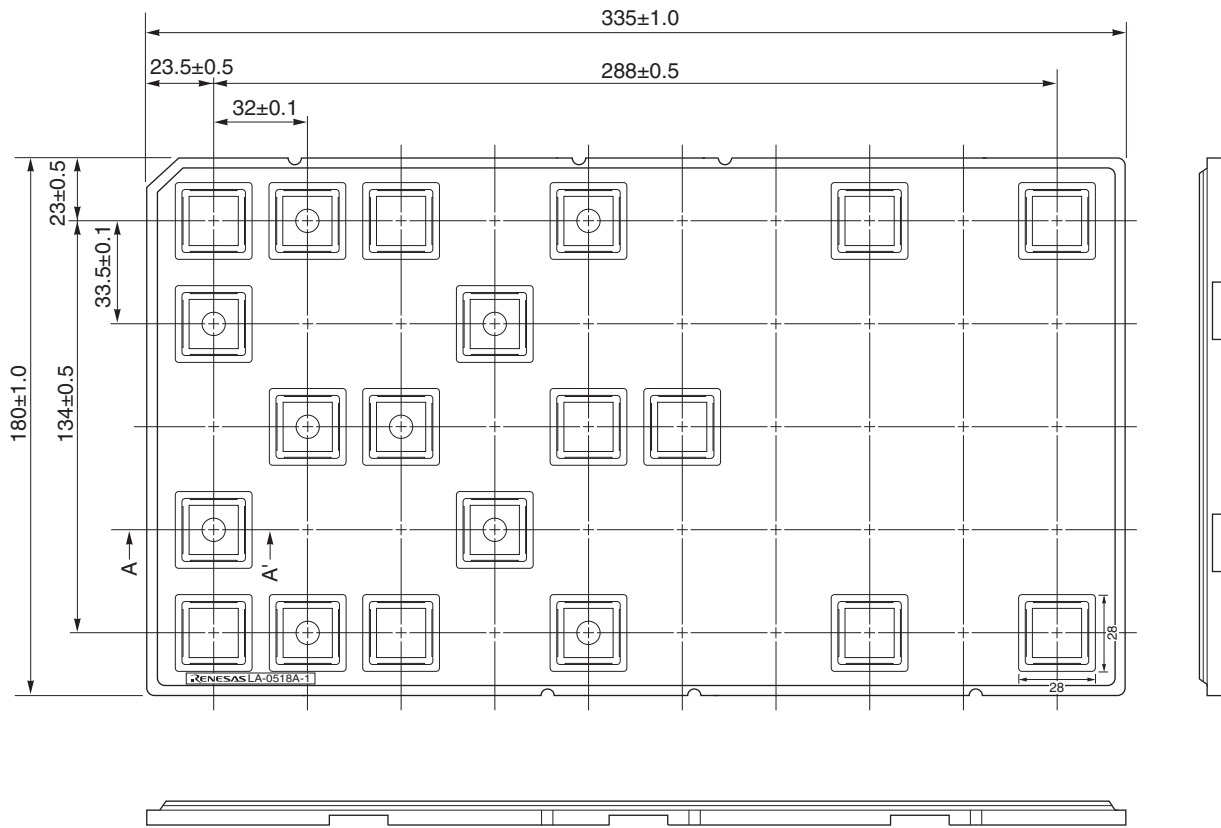
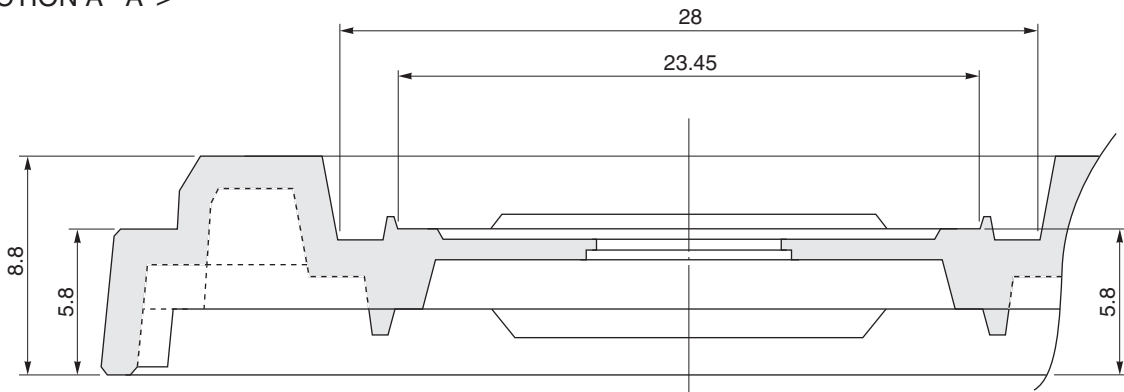


# TRAY CONTAINER

UNIT : mm



## < SECTION A-A' >



Applied Package	Quantity (pcs)	Tray	LA-0518A-1
160 pin- plastic QFP (Fine Pitch)(2.7mm thick)	MAX. 50	Material	Carbon PS
176 pin- plastic QFP (Fine Pitch)(2.7mm thick)	MAX. 50	Surface resistance	less than $1 \times 10^6 \Omega / \square$