

NOTES : (UNLESS OTHERWISE SPECIFIED)
1. NUMBER OF POCKET : 8 X 23 = 184 POCKETS

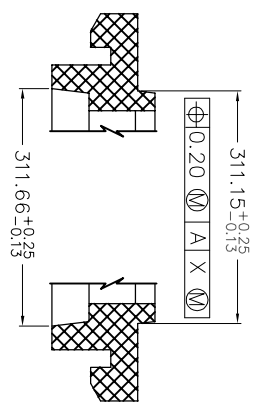
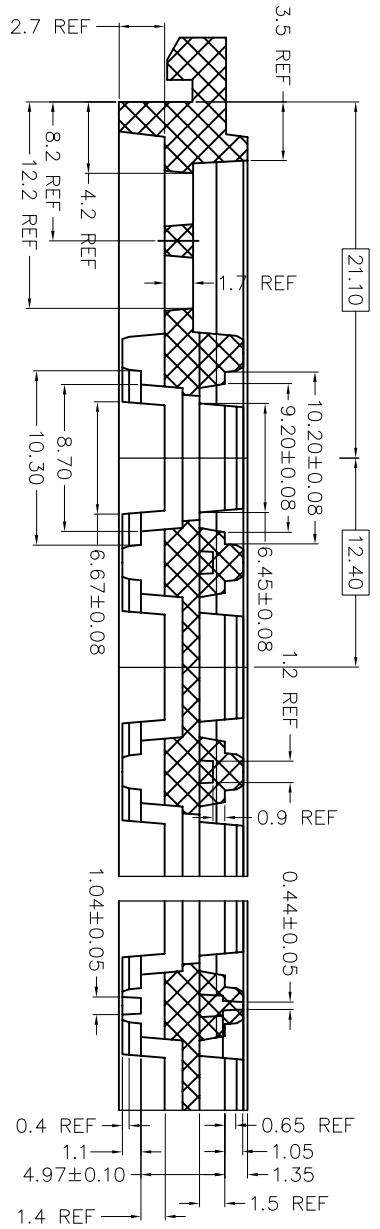
TOLERANCES UNLESS OTHERWISE SPECIFIED
DECIMAL : X ±.25
.XX ±.13
.XXX
ANGLE : ±0.5°
ANGULAR : ±



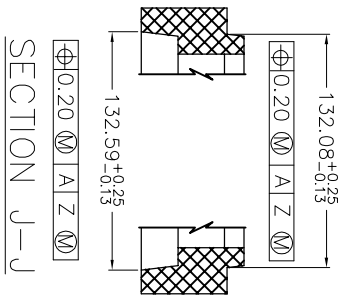
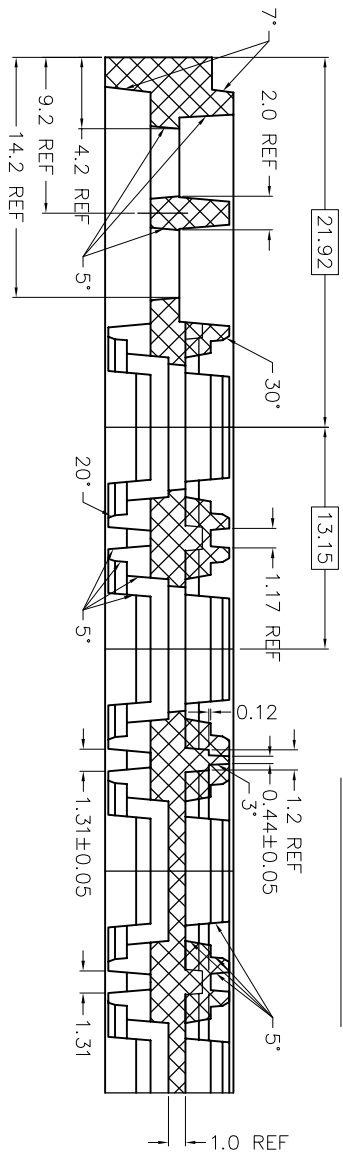
6024 Silver Creek Valley Road,
San Jose, CA 95138
PHONE: (408) 284-8200
FAX: (408) 284-3572

TITLE: BTG 180 SHIPPING TRAY (OID DIVISION)		SCALE N/A	
STOCK NO. N/A	DRAWING NO. MSC-7969-A	REV 00	SCALE N/A
DO NOT SCALE DRAWING		SHEET 1 OF 2	

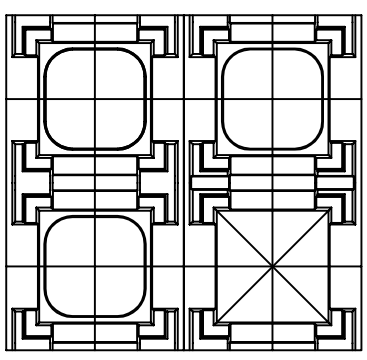
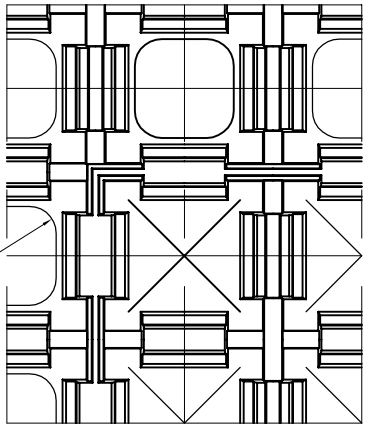
SECTION A-A



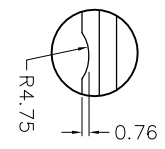
SECTION B-B



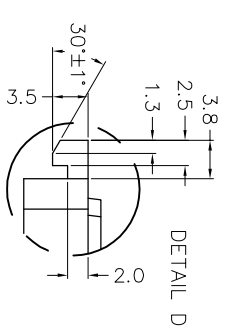
SECTION J-J



BOTTOM VIEW OF CELL



DETAIL C
NOTE: SCALLOP IS CENTERED
ON SIDE OF TRAY



DETAIL D

TOLERANCES UNLESS OTHERWISE SPECIFIED
DECIMAL : X ± .25
.XX ± .13
.XXX
ANGLE : ± 0.5°
ANGULAR : ±



6024 Silver Creek Valley Road,
San Jose, CA 95138
PHONE: (408) 284-8200
FAX: (408) 284-3572

TITLE:		BITG 180 SHIPPING TRAY (OID DIVISION)	
STOCK NO.	N/A	DRAWING NO.	MSC-7969-A
REV	N/A	SCALE	N/A
DO NOT SCALE DRAWING		SHEET 2 OF 2	