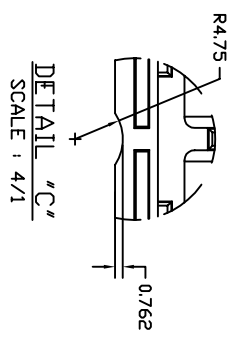
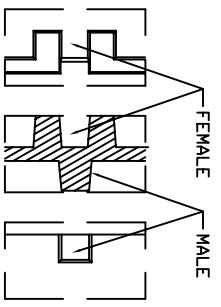


DETAIL "H"  
SCALE : 4/1



DETAIL "C"  
SCALE : 4/1



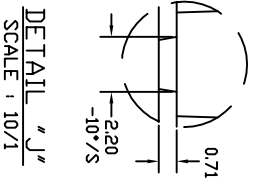
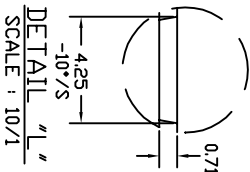
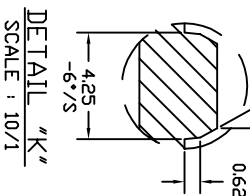
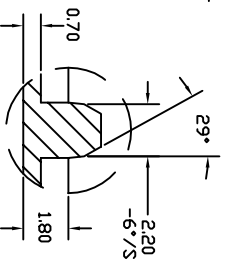
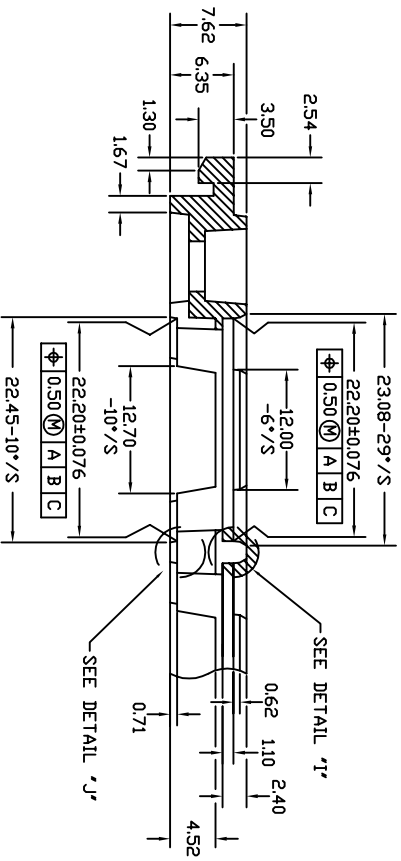
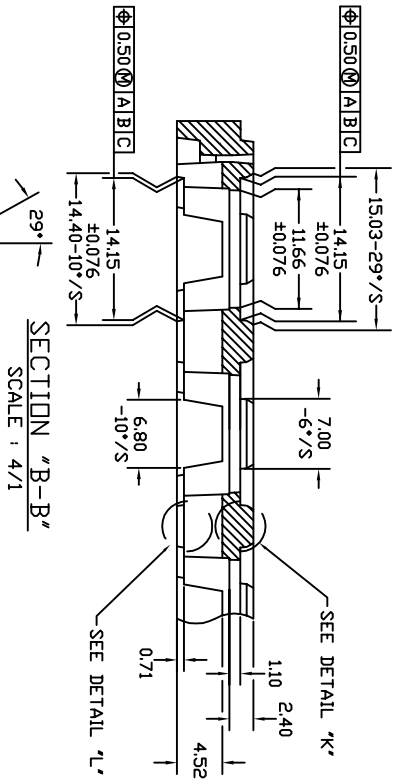
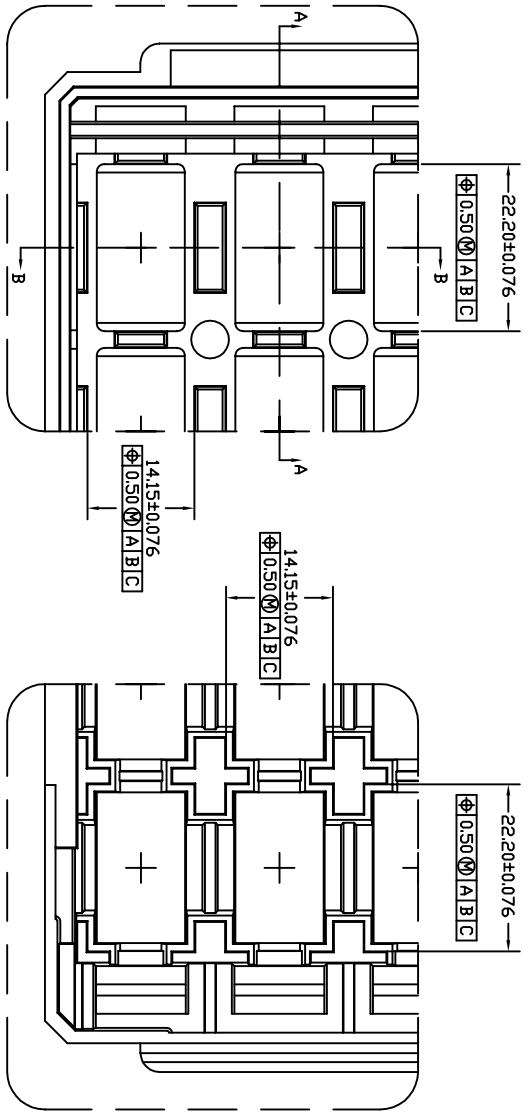
SLIP-LOCK DETAILS  
DETAIL "D"  
SCALE : 4/1

NOTES : (UNLESS OTHERWISE SPECIFIED)  
1. NUMBER OF POCKET : 7 X 12 = 84 POCKETS

TOLERANCES UNLESS OTHERWISE SPECIFIED  
DECIMAL : X ±.25  
.XX ±.13  
.XXX ±.13  
ANGLE : ±5°  
ANGULAR : ±

**IDT**  
www.IDT.com  
6024 Silver Creek Valley Road,  
San Jose, CA 95138  
PHONE: (408) 284-8200  
FAX: (408) 284-3572

TITLE: BG/BGG119 SHIPPING TRAY		SCALE N/A
STOCK NO. N/A	DRAWING NO. MSC-1462-A	REV 00
DO NOT SCALE DRAWING		SHEET 1 OF 2



TOLERANCES UNLESS OTHERWISE SPECIFIED  
DECIMAL :  
.X ±.25  
.XX ±.13  
.XXX ±.13  
ANGLE : ±5°  
ANGULAR : ±



6024 Silver Creek Valley Road,  
San Jose, CA 95138  
PHONE: (408) 284-8200  
FAX: (408) 284-3572

TITLE:

BG/BGG119 SHIPPING TRAY

SCALE  
N/A

SIZE  
N/A

STOCK NO.

N/A

DRAWING NO.

MSC-1462-A

REV

00

DO NOT SCALE DRAWING

SHEET 2 OF 2