

SECTION "X-X"
 TRAY STACKING DETAIL
 SCALE: 3/1

SECTION "Y-Y"

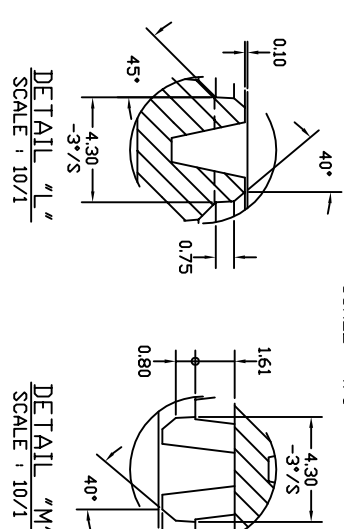
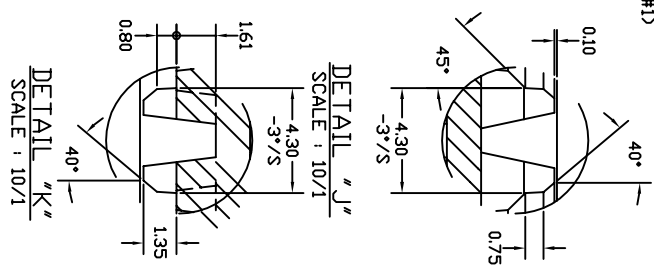
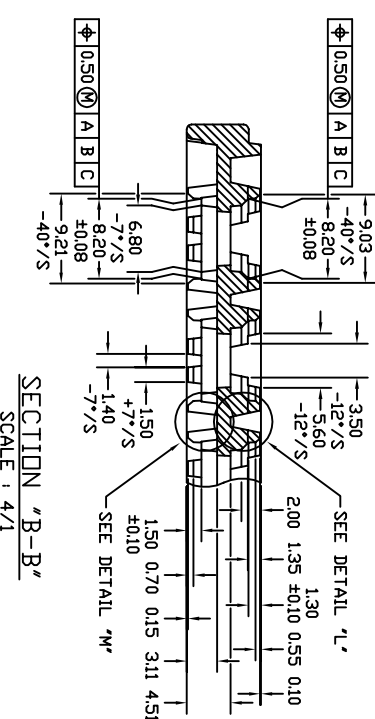
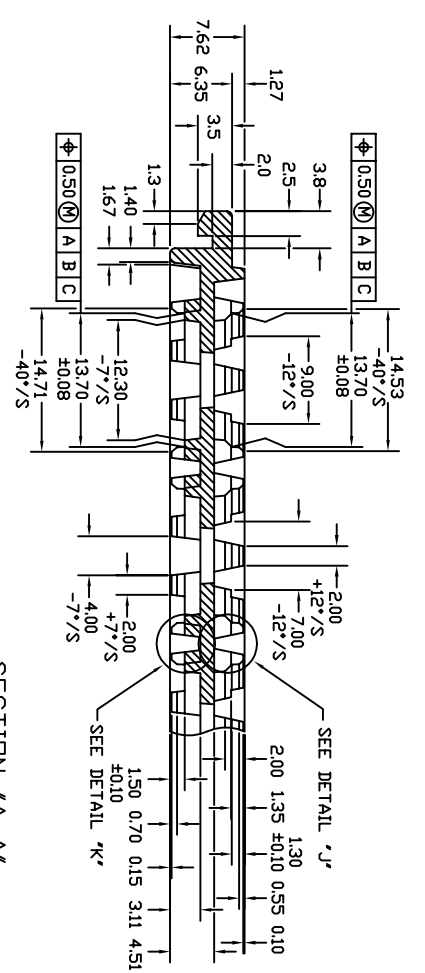
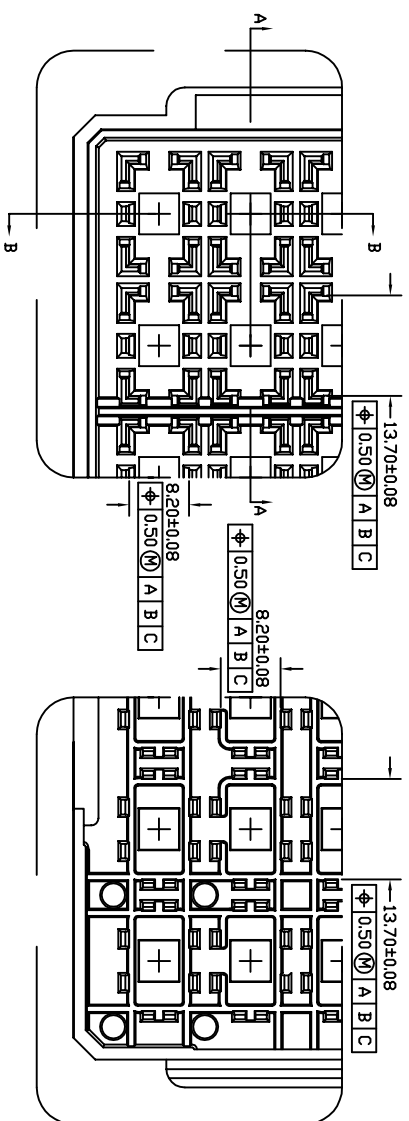
TOLERANCES UNLESS OTHERWISE SPECIFIED
 DECIMAL :
 .X ±.25
 .XX ±.13
 .XXX ±
 ANGLE : ±
 ANGULAR : ±



6024 Silver Creek Valley Road,
 San Jose, CA 95138
 PHONE: (408) 284-8200
 FAX: (408) 284-3572

WWW.IDT.COM

TITLE:		AT/ATG 253 SHIPPING TRAY		SCALE	N/A
STOCK NO.	N/A	DRAWING NO.	MSC-7237-A	SIZE	N/A
REV		REV	00		
DO NOT SCALE DRAWING		SHEET 1 OF 2			



TOLERANCES UNLESS OTHERWISE SPECIFIED
 DECIMAL : .X ±.25
 .XX ±.13
 .XXX ±
 ANGLAR : ±

www.IDT.com
 6024 Silver Creek Valley Road,
 San Jose, CA 95138
 PHONE: (408) 284-8200
 FAX: (408) 284-3572

TITLE:		AT/ATG 253 SHIPPING TRAY	
STOCK NO.	N/A	DRAWING NO.	MSC-7237-A
DO NOT SCALE DRAWING		REV	00
		SCALE	N/A
		SIZE	N/A
		SHEET	2 OF 2