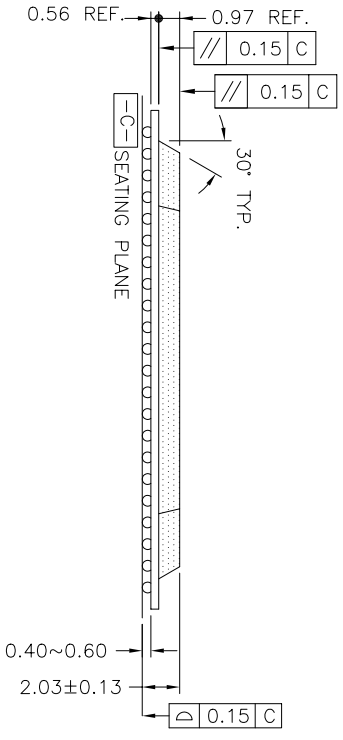
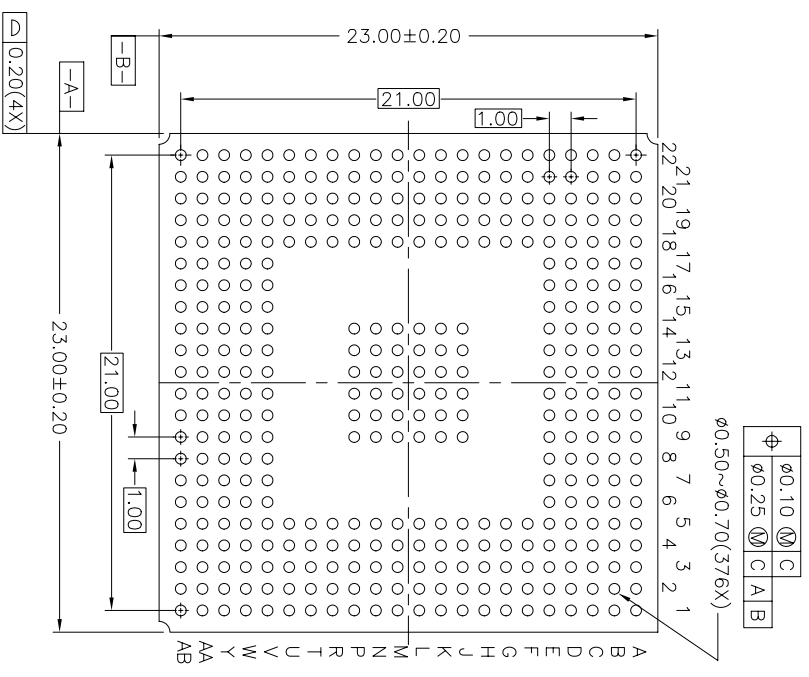
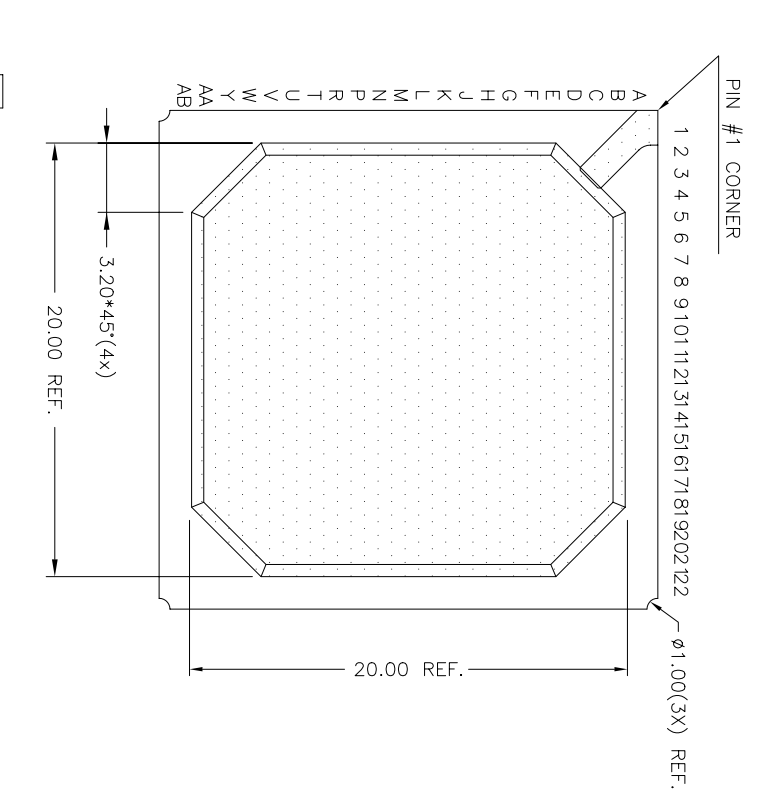



REVISIONS				
DCN	REV	DESCRIPTION	DATE	APPROVED
00		INITIAL RELEASE	07/08/09	P.PAIK



Ball Pitch :	1.0	Substrate Thickness :	0.56
Ball Diameter :	0.6	Mold Thickness :	0.97

TOLERANCES UNLESS SPECIFIED	ANGULAR
DECIMAL	±1°
XX± .105	
XXX± .030	


IDT™
 www.IDT.com
 6024 SILVER CREEK VALLEY ROAD, SAN JOSE, CA 95138
 PHONE: (408) 284-8200
 FAX: (408) 284-3572

TITLE	AM/AMG 376 PACKAGE OUTLINE
DRAWN	QAC
DATE	7/7/09
CHECKED	
SIZE	C
DRAWING No.	PSC-4269
DO NOT SCALE DRAWING	
REV	00
SHEET	1 OF 1