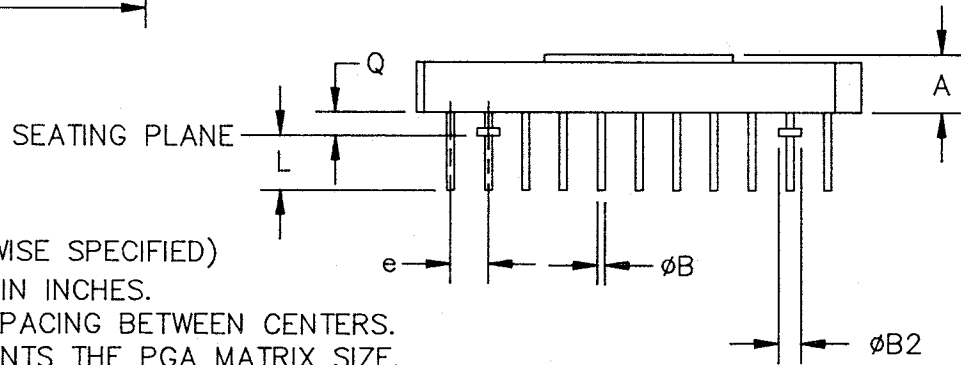
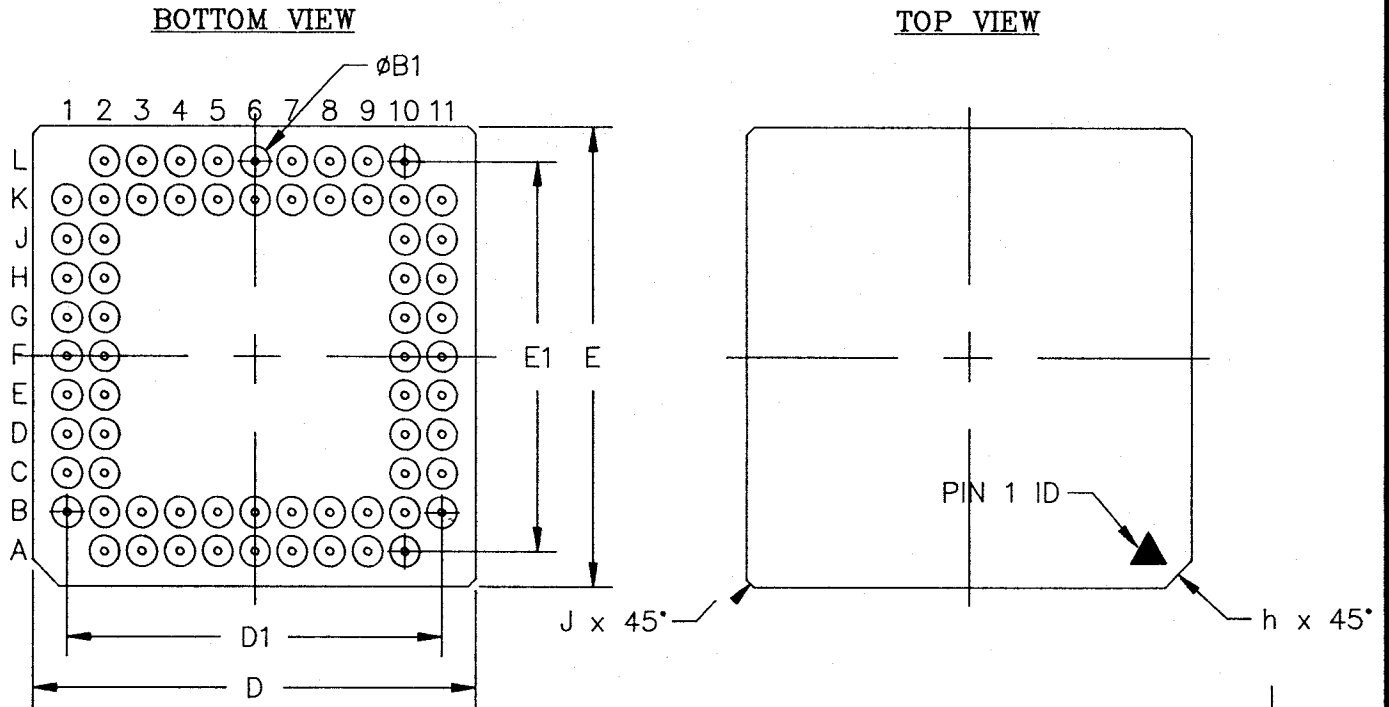
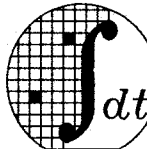


| DCN   | REV | DESCRIPTION                    | DATE     | APPROVAL |
|-------|-----|--------------------------------|----------|----------|
| 17104 | 01  | UPDATED TO STANDARDIZE DRAWING | 12/21/89 | S Thomas |



- NOTES: (UNLESS OTHERWISE SPECIFIED)
1. ALL DIMENSIONS ARE IN INCHES.
  2. BSC - BASIC LEAD SPACING BETWEEN CENTERS.
  3. SYMBOL "M" REPRESENTS THE PGA MATRIX SIZE.
  4. SYMBOL "N" REPRESENTS THE NUMBER OF PINS.
  5. CHAMFERED CORNERS ARE IDT'S OPTION.

|        |           |       | CONFIGURATION  |                    | EXCEPTIONS  |  |
|--------|-----------|-------|--|--------------------|---|--|
| SYMBOL | MIN       | MAX   | MIL-M-38510  | LARGE OUTLINE P-AC | NONE  |  |
|        |           |       | JEDEC  | MO-067-AC          | NONE  |  |
| A      | .070      | .145  | TOLERANCES UNLESS OTHERWISE SPECIFIED<br>FRAC DEC ANGLES<br>± - ± - ± -  |                    |   |  |
| øB     | .016      | .020  |  |                    |   |  |
| øB1    |           | .080  |  <b>Integrated Device Technology, Inc.</b><br>3236 Scott Blvd., Santa Clara, CA 95051<br>(408) 727-6116 FAX: (408) 727-2328 |                    |   |  |
| øB2    | .040      | .060  |  |                    |   |  |
| D/E    | 1.140     | 1.180 | APPROVALS  | DATE               | 68 PIN PGA MKT DWG<br>(CAVITY UP)                     |  |
| D1/E1  | 1.000 BSC |       | DRAWN <i>Ad</i>  | 12/89              |   |  |
| e      | .100 BSC  |       | CHECKED <i>DH</i>  | 12/89              | SCALE N/A    SIZE A    DRAWING NO. PSC-2075    REV 01 |  |
| h      | .070 REF  |       |  |                    |   |  |
| J      | .020 REF  |       |  |                    | DO NOT SCALE DRAWING    SHEET 2 OF 2                  |  |
| L      | .120      | .140  |  |                    |   |  |
| M      | 11        |       |  |                    |   |  |
| N      | 68        |       |  |                    |   |  |
| Q      | .040      | .060  |  |                    |   |  |