

INTRODUCING HVPAK™

EMPOWERING SMARTER TRACKING SOLUTIONS

HVPAK (up to 26.4 V and 3 A per OUT) takes its roots from the [GreenPAK family](#) featuring its configurability and free GUI-based [software](#) to design the circuit without any programming language needed. It combines mixed-signal logic and **high-voltage H-/Half-bridge** functionality in **a tiny 2 mm x 3 mm QFN package**.

The HVPAK incorporates advanced PWM macrocells, enabling the simultaneous control of multiple motors with varying PWM frequencies and duty cycles. Its compact size and low idle current consumption make it highly versatile, expanding its range of potential applications. This tiny and thermally-efficient IC provides an ideal platform for designing mixed-signal functions alongside its high-voltage capabilities.



HV bridges with separate power rails allow creation of custom topology DC/DC converters

- Customized over-voltage, over-temperature, and over-current protections



Extremely low standby current for battery-powered devices like smart trackers

- Highly configurable

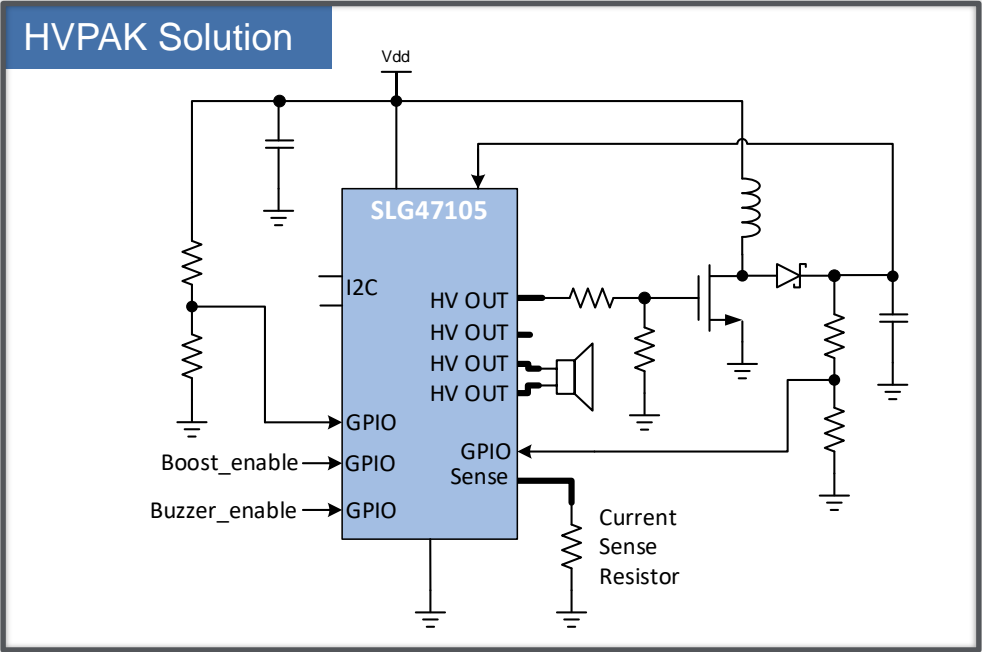
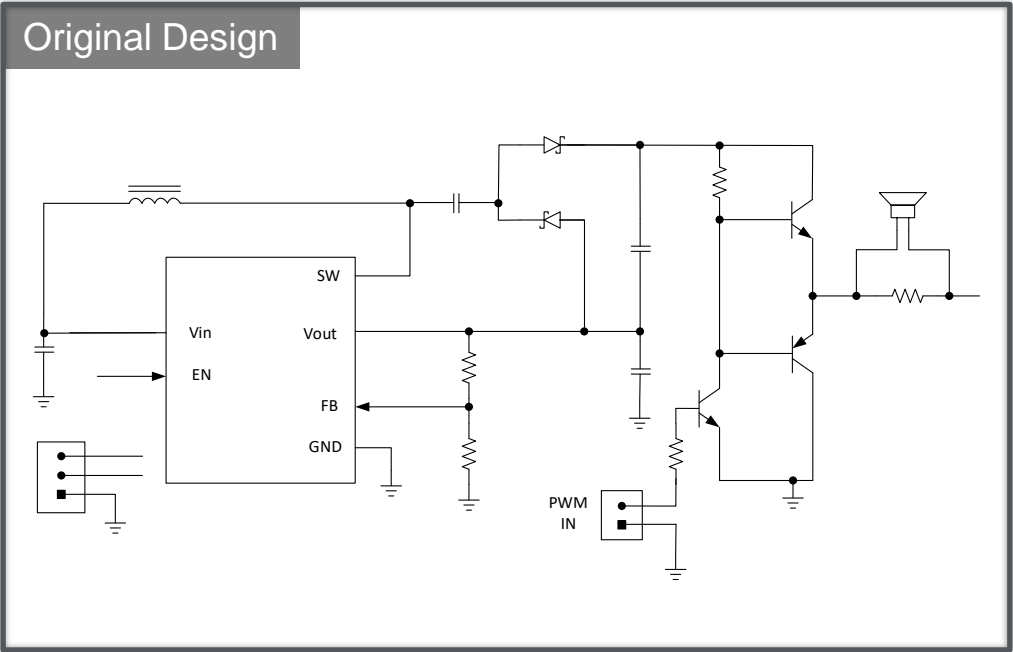
Datasheet
SLG47105

Datasheet
SLG47115

Download
Go Configure™
Software Hub

[Example Design Files](#)

HVPAK APPROACH: TRACKING TAGS AND ASSET TRACKERS



Value	Approx. savings with HVPAK
Layout Size	0.6 mm ²

- Design reduced by:**
- 2 transistors and 1 diode
 - reduced current consumption twice (idle mode)