

Application Note

DA16200 DA16600 Antenna Switching Diversity

AN-WI-008

Abstract

This document provides information about Antenna Switching Diversity function in DA16200 and DA16600.

Contents

Abstract	1
1 Introduction	3
2 Registers	3
Revision History	5

Figures

Figure 1. Antenna Switch Internal Block Diagram.....	3
--	---

Tables

Table 1: GPIO Alternate Functions (0x4001003C)	3
Table 2: RF Switch Output Select (0x40010FC8)	3
Table 3: RF_Interface_Control (0x60C0C000).....	4
Table 4: Antenna Switching Enable (0x60C036F0)	4
Table 5: Data Direction Set (0x40010010)	4
Table 6: Data Out (0x40010004)	4

DA16200 DA16600 Antenna Switching Diversity

1 Introduction

The DA16200 (DA16600) provides an antenna switching diversity function to improve antenna performance in a multi-path environment. The PHY HW block measures the Received Signal Strength Indicator (RSSI) of each antenna and selects the antenna with the largest RSSI. The selected antenna is also used for transmission. To use the Antenna Switching Diversity function, an external switch element is required. Switch control is done through a GPIO. Two GPIOs can be used for switch control. For this purpose, select any of unused pins among the GPIO pins. The control signal can be changed with a register setting to suit the external switching device.

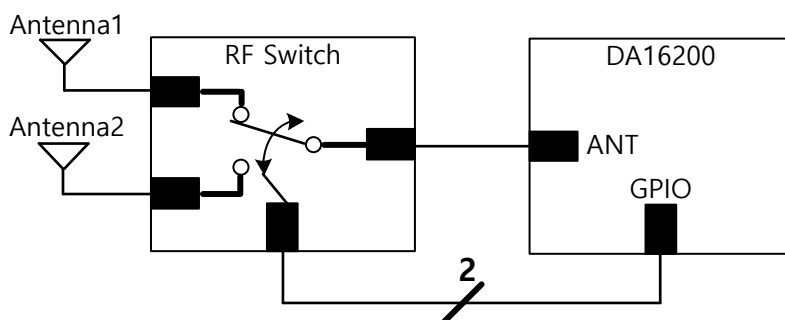


Figure 1. Antenna Switch Internal Block Diagram

2 Registers

Antenna Switching Diversity uses the registers mentioned in the tables below.

Table 1: GPIO Alternate Functions (0x4001003C)

Bit	Mode	Symbol	Description	Reset
12:0	R/W	FUNC_OUT_EN	Alternate Function output enable [12] : UART2_TXDOE enable [11] : UART1_TXDOE enable [10] : UART0_TXDOE enable [9] : RF_SW2 enable [8] : RF_SW1 enable [7] : mSPI_CSB[3] enable (1=enable) [6] : mSPI_CSB[3] enable [5] : mSPI_CSB[1] enable [4] : Ext_Intr enable [3] : PWM_OUT[3] enable (1=enable) [2] : PWM_OUT[3] enable [1] : PWM_OUT[1] enable [0] : PWM_OUT[0] enable	0x0000

This register serves to designate a GPIO port as one of alternate functions. Bit[9:8] should be set to '1' for RF switching signals used for the Antenna Switching Diversity function.

Table 2: RF Switch Output Select (0x40010FC8)

Bit	Mode	Symbol	Description	Reset
15:0	R/W	RF_SW_OUTSEL	RF_SW[1:0] port selection [7: 4] : port sel of the RF_SW2 [3: 0] : port sel of the RF_SW1	0x0000

This register serves to select which GPIO ports to use for the RF switch control signals that the PHY HW generates after the RSSI of each antenna is measured.

When GPIOA[11] needs to be used for RF_SW2 while GPIOA[10] is used for RF SW1, 0xBA should be set, in which 'B' is for GPIOA[11] and 'A' for GPIOA[10].

DA16200 DA16600 Antenna Switching Diversity

Table 3: RF_Interface_Control (0x60C0C000)

Bit	Mode	Symbol	Description	Reset
19:18	R/W	AN_SW_Value2for_DIV	RF switch signals values when ANT2 selected	2'b01
17:16	R/W	AN_SW_Value1for_DIV	RF switch signals values when ANT1 selected	2'b10

This register serves to set the values for the RF switching signals RF_SW1 and RF_SW2.

Table 4: Antenna Switching Enable (0x60C036F0)

Bit	Mode	Symbol	Description	Reset
4	R/W	ANT_DIV_MODE_EN	1 for enable.	1'b0

This register enables the automatic Antenna Switching operation, when set.

The PHY HW will measure the RSSI from both antennas and select the one with the strongest RSSI generating RF switching control signals of RF_SW1 and RF_SW2 automatically.

If software control is preferred over automatic antenna switching control, this register should not be enabled, which will disable the automatic antenna switching operation of the PHY HW.

For manual control, the following registers are used for RF switch control.

Table 5: Data Direction Set (0x40010010)

Bit	Mode	Symbol	Description	Reset
15:0	R/W	DataOut_Set	GPIO Data output enable set 1 = Output enable 0 = Input enable	0x0000

Table 6: Data Out (0x40010004)

Bit	Mode	Symbol	Description	Reset
15:0	R/W	AS_VALUE	Antenna Number to select 0 : Antenna 1 1 : Antenna 2	0x0000

When this register is set to value '1', the antenna with AS_VALUE in Data direction set register will be selected and RW_SW1 and RF_SW2 must be disabled in the GPIO Alternate Functions register.

Revision History

Revision	Date	Description
1.4	25-Mar-2022	Update logo, disclaimer, copyright.
1.3	20-Jan-2022	Manual Antenna switch register changed. Updated logo, disclaimer, copyright.
1.2	14-Dec-2021	Watermark removed, editorial.
1.1	25-Nov-2021	Title was changed.
1.0	14 May 2020	Initial version.

DA16200 DA16600 Antenna Switching Diversity**Status Definitions**

Status	Definition
DRAFT	The content of this document is under review and subject to formal approval, which may result in modifications or additions.
APPROVED or unmarked	The content of this document has been approved for publication.

RoHS Compliance

Dialog Semiconductor's suppliers certify that its products are in compliance with the requirements of Directive 2011/65/EU of the European Parliament on the restriction of the use of certain hazardous substances in electrical and electronic equipment. RoHS certificates from our suppliers are available on request.

DA16200 DA16600 Antenna Switching Diversity

Important Notice and Disclaimer

RENEASAS ELECTRONICS CORPORATION AND ITS SUBSIDIARIES ("RENEASAS") PROVIDES TECHNICAL SPECIFICATIONS AND RELIABILITY DATA (INCLUDING DATASHEETS), DESIGN RESOURCES (INCLUDING REFERENCE DESIGNS), APPLICATION OR OTHER DESIGN ADVICE, WEB TOOLS, SAFETY INFORMATION, AND OTHER RESOURCES "AS IS" AND WITH ALL FAULTS, AND DISCLAIMS ALL WARRANTIES, EXPRESS OR IMPLIED, INCLUDING, WITHOUT LIMITATION, ANY IMPLIED WARRANTIES OF MERCHANTABILITY, FITNESS FOR A PARTICULAR PURPOSE, OR NON-INFRINGEMENT OF THIRD PARTY INTELLECTUAL PROPERTY RIGHTS.

These resources are intended for developers skilled in the art designing with Renesas products. You are solely responsible for (1) selecting the appropriate products for your application, (2) designing, validating, and testing your application, and (3) ensuring your application meets applicable standards, and any other safety, security, or other requirements. These resources are subject to change without notice. Renesas grants you permission to use these resources only for development of an application that uses Renesas products. Other reproduction or use of these resources is strictly prohibited. No license is granted to any other Renesas intellectual property or to any third party intellectual property. Renesas disclaims responsibility for, and you will fully indemnify Renesas and its representatives against, any claims, damages, costs, losses, or liabilities arising out of your use of these resources. Renesas' products are provided only subject to Renesas' Terms and Conditions of Sale or other applicable terms agreed to in writing. No use of any Renesas resources expands or otherwise alters any applicable warranties or warranty disclaimers for these products.

Corporate Headquarters

TOYOSU FORESIA, 3-2-24 Toyosu

Koto-ku, Tokyo 135-0061, Japan

www.renesas.com

Contact Information

For further information on a product, technology, the most up-to-date version of a document, or your nearest sales office, please visit:

<https://www.renesas.com/contact/>

Trademarks

Renesas and the Renesas logo are trademarks of Renesas Electronics Corporation. All trademarks and registered trademarks are the property of their respective owners.