
SH7216 Group

REJ06B0910-0101

Rev.1.01

Transmission of Serial Data by the SCI in Asynchronous Mode

Jun 25, 2010

Introduction

This application note describes transmission of serial data by the serial communications interface (SCI) in asynchronous mode.

Target Device

SH7216

Contents

1. Preface	2
2. Overview	3
3. Documents for Reference	9

1. Preface

1.1 Specifications

This sample application employs the asynchronous serial transfer function of the serial communications interface (SCI) to perform data transmission. Figure 1 shows an example of connection for reception by the SCI in asynchronous mode.

- SCIF1 is used.
- The communications format has an 8-bit data length, 1 stop bit, and no parity bit.
- Once 8 bytes of data have been received, operation for transmission is halted.

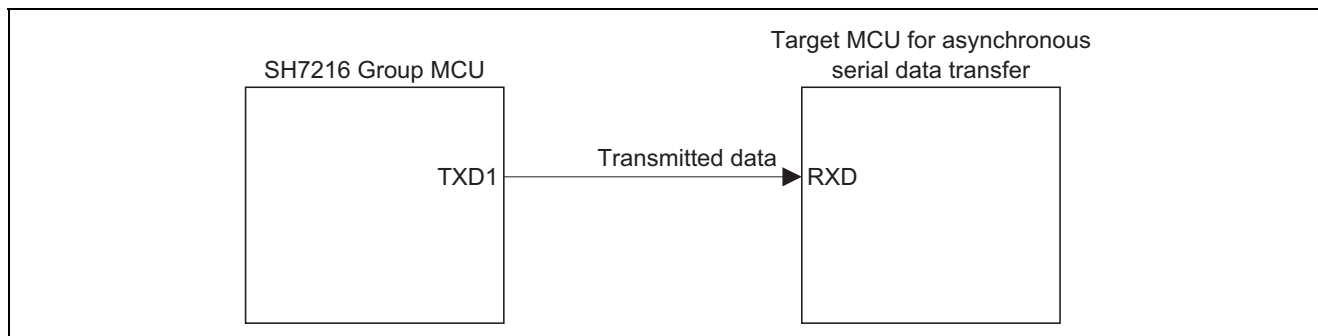


Figure 1 Connection Example for Transmission by the SCI in Asynchronous Mode

1.2 Module Used

- Serial communications interface (SCI1)
- Clock pulse generator (CPG)
- Power-Down Modes
- Pin function controller (PFC)

1.3 Applicable Conditions

- MCU SH7216
- Operating frequency
 - Internal clock: 200 MHz
 - Bus clock: 100 MHz
 - Peripheral clock: 50 MHz
- Integrated development environment
 - High-performance Embedded Workshop Ver.4.05.00 (from Renesas Electronics Corp.)
- C compiler
 - SuperH RISC Engine Family C/C++ Compiler Package Ver.9.03.00 Release00 from Renesas Electronics Corp.
- Compiler options
 - Default settings of the High-performance Embedded Workshop
 - `(-cpu=sh2afpu -pic=1 -object="$(CONFIGDIR)¥$(FILELEAF).obj"`
 - `-debug -gbr=auto -chgincpath -errorpath -global_volatile=0`
 - `-opt_range=all -infinite_loop=0 -del_vacant_loop=0`
 - `-struct_alloc=1 -nologo)`

1.4 Related Application Note

- SH7216 Group Application Note: Reception of Serial Data by the SCI in Asynchronous Mode (REJ06B0909)
- SH7216 Group Application Note: Transmission and Reception of Serial Data by the SCI in Asynchronous Mode (REJ06B0911)

2. Overview

The reference program employs the serial communications interface (SCI) of the SH7216 for the asynchronous transmission of serial data from a target device.

2.1 Operational Overview of Module Used

In asynchronous mode, each transmitted or received character begins with a start bit and ends with a stop bit. Serial communications is synchronized in character units. The transmitting and receiving sections of the SCI are independent, so operations for transmission and reception can proceed simultaneously. Both the transmitter and receiver have a double-buffered structure so that data can be read or written during transmission or reception, which enables high-speed continuous data transfer.

In asynchronous serial communications, the communication line is normally held in the mark (high) state. The SCI monitors the line and starts serial communications when the line goes to the space (low) state, indicating a start bit.

One serial character consists of a start bit (low), data (LSB first), parity bit (high or low), and stop bit (high), in this order.

For details on the SCI, please refer to the section on Serial Communication Interface (SCI) in the *SH7216 Group Hardware Manual* (REJ09B0543).

Table 1 gives an overview of serial communications in asynchronous mode. Figure 2 shows a block diagram of the SCI.

Table 1 Overview of Serial Data Communications in Asynchronous Mode

Item	Description
Number of interfaces	4 (SCI0, SCI1, SCI2 and SCI4)
Clock sources	For internal clock: P ϕ , P ϕ /4, P ϕ /16 and P ϕ 64 (P ϕ : peripheral clock) For external clock: input clock on the SCK pin
Data format	Transfer data length: 7 or 8 bits Order: LSB first and MSB first are selectable
Baud rate	Asynchronous mode: 110 to 1,562,500 bps (P ϕ = 50 MHz)
Error detection	Framing, parity and overrun errors Breaks can also be detected.
Interrupt requests	Transmit-data-empty interrupt (TXI) Receive-data-full interrupt (RXI) Receive error interrupt (ERI) Transmit end interrupt (TEI)
Clock sources	Internal and external clocks are selectable <ul style="list-style-type: none"> • Internal clock: When the internal clock has been selected, the clock from the baud-rate generator is used to operate the SCI and a clock signal at 16 times the frequency of the bit rate can be output. • External clock: When the external clock has been selected, input of a clock signal at 16 times the frequency of the bit rate is required. (The on-chip baud rate generator is not used.)

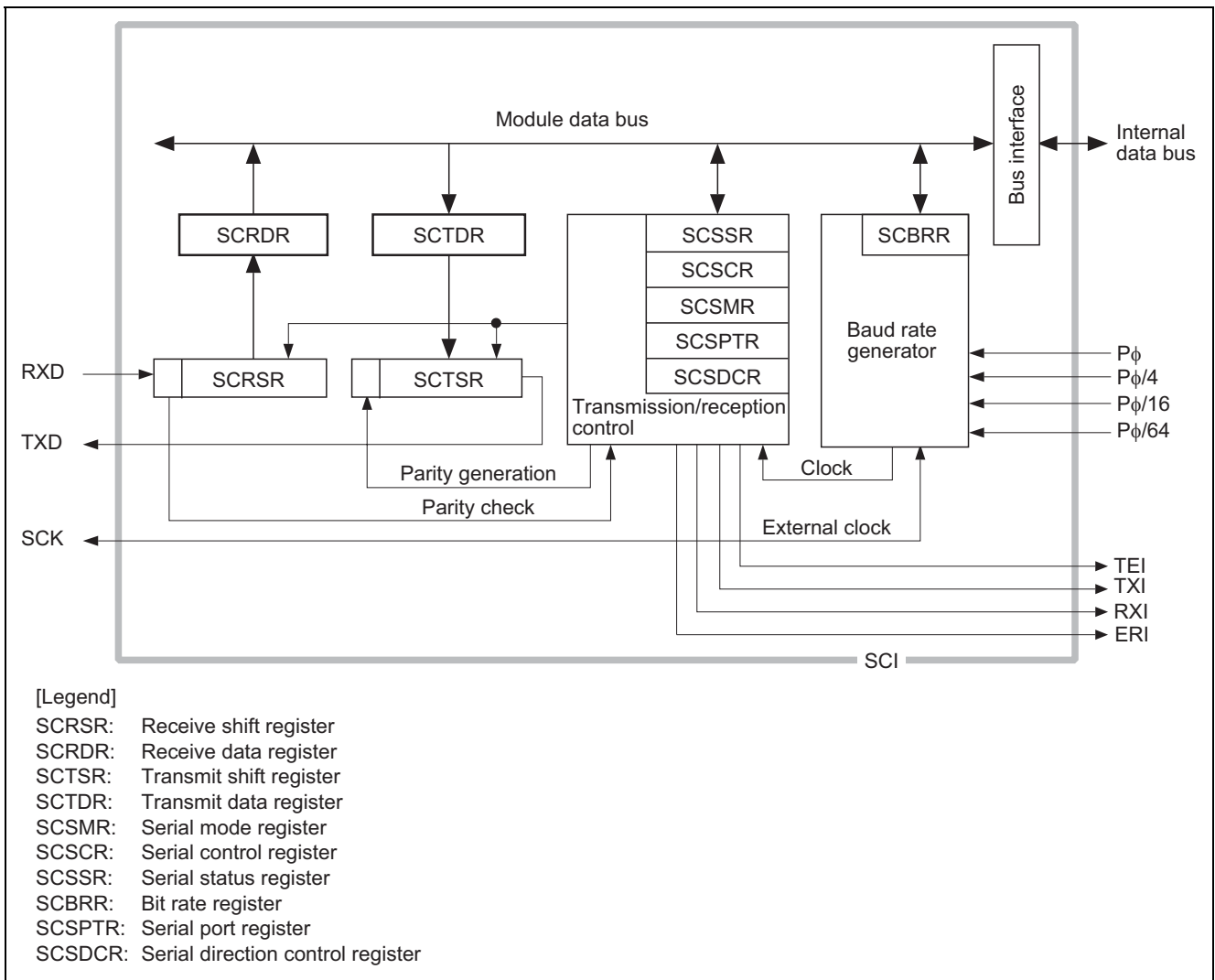


Figure 2 Block Diagram of the SCI

2.2 Operation of the Sample Program

Table 2 lists the settings for the SCI communications function of this sample program.

Table 2 Settings for Communications Function of the Sample Program

Item	Description
Module	SCI1
Transfer mode	Asynchronous mode
Transfer rate	9600 bps
Number of data to be received	8 bytes
Data length	8-bit data
Stop bit	1 stop bit
Parity	None
Bit order	LSB-first

2.3 Procedure for Setting Module Used

This section describes the procedure for setting up SCI1 for asynchronous mode operation.

Figure 3 shows the flow of processing by the sample program, figure 4 shows the flow for initialization of data transmission in asynchronous mode, and figure 5 shows the flow of transmission processing in asynchronous mode. For details on the settings of individual registers, see the *SH7216 Group Hardware Manual* (REJ09B0543).

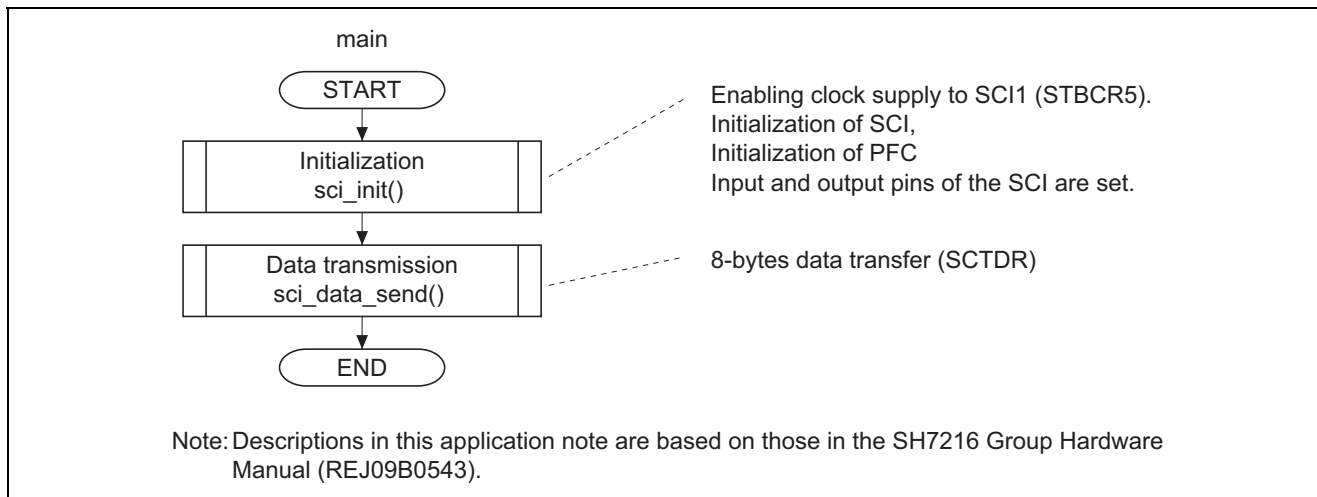


Figure 3 Flow of Processing by the Sample Program

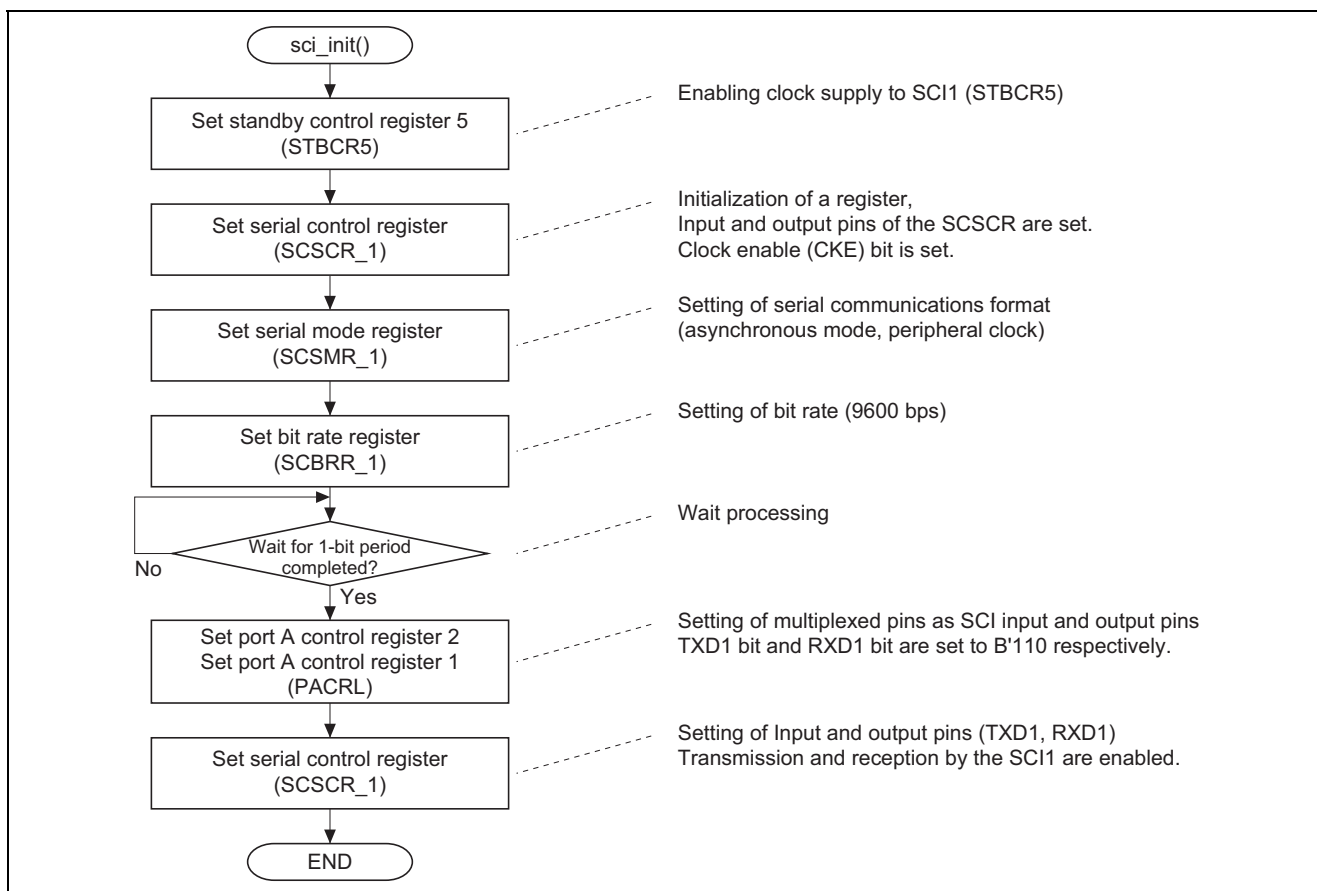


Figure 4 Flow for Initialization of Data Transmission in Asynchronous Mode

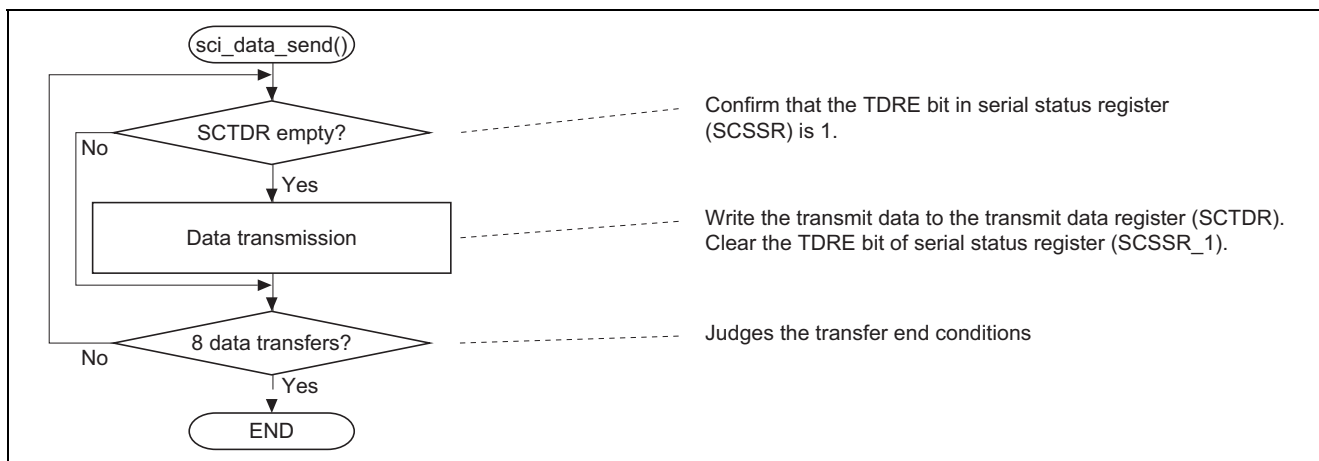


Figure 5 Flow of Transmission Processing in Asynchronous Mode

2.4 Procedure for Processing by the Sample Program

Table 3 gives settings for the register in the sample program.

Table 3 Settings for the Register in the Sample Program

Register Name		Address	Setting	Description
Clock pulse generator (CPG)	Frequency control register (FRQCR)	H'FFFE0010	H'0303	STC [2:0] = "B'011": $\times 1/4$ ($B\phi$) IFC [2:0] = "B'000": $\times 1$ ($I\phi$) PFC [2:0] = "B'011": $\times 1/4$ ($P\phi$)
Standby control register	Standby control register 5 (STBCR5)	H'FFFE0418	H'BF	MSTP56 = "B'0": SCI1 operates
Pin function controller (PFC)	Port A control register L2 (PACRL2)	H'FFFE3814	H'0006	PA4MD [2:0] = "B'110": TXD1 output
	Port A control register L1 (PACRL1)	H'FFFE3816	H'6000	PA3MD [2:0] = "B'110": RXD1 input
Serial communications interface (SCI)	Serial mode register_1 (SCSMR_1)	H'FFFF8800	H'00	C/A = "B'0": Asynchronous mode CHR = "B'0": 8-bit data PE = "B'0": Disables adding and checking of parity bits STOP = "B'0": 1 stop bit CKS [1:0] = "B'00": $P\phi$ clock
	Bit rate register_1 (SCBRR_1)	H'FFFF8802	H'A2	Asynchronous mode Bit rate: 9600 bps
	Serial control register_1 (SCSCR_1)	H'FFFF8804	H'30	When transmitting and receiving operations are enabled TIE = "B'1": Enables transmit-data-empty interrupt (TXI) request TE = "B'0": Enables transmission of data
	Serial status register_1 (SCSSR_1)	H'FFFF8808	H'04	At the time of setting The TDRE flag is cleared to 0.

3. Documents for Reference

- Software Manual
SH-2A, SH2A-FPU Software Manual (REJ09B0051)
(The most up-to-date version of this document is available on the Renesas Electronics Website.)
- Hardware Manual
SH7216 Group Hardware Manual (REJ09B0543)
(The most up-to-date version of this document is available on the Renesas Electronics Website.)

Website and Support

Renesas Electronics Website

<http://www.renesas.com/>

Inquiries

<http://www.renesas.com/inquiry>

All trademarks and registered trademarks are the property of their respective owners.

General Precautions in the Handling of MPU/MCU Products

The following usage notes are applicable to all MPU/MCU products from Renesas. For detailed usage notes on the products covered by this manual, refer to the relevant sections of the manual. If the descriptions under General Precautions in the Handling of MPU/MCU Products and in the body of the manual differ from each other, the description in the body of the manual takes precedence.

1. Handling of Unused Pins

Handle unused pins in accord with the directions given under Handling of Unused Pins in the manual.

- The input pins of CMOS products are generally in the high-impedance state. In operation with an unused pin in the open-circuit state, extra electromagnetic noise is induced in the vicinity of LSI, an associated shoot-through current flows internally, and malfunctions occur due to the false recognition of the pin state as an input signal become possible. Unused pins should be handled as described under Handling of Unused Pins in the manual.

2. Processing at Power-on

The state of the product is undefined at the moment when power is supplied.

- The states of internal circuits in the LSI are indeterminate and the states of register settings and pins are undefined at the moment when power is supplied.

In a finished product where the reset signal is applied to the external reset pin, the states of pins are not guaranteed from the moment when power is supplied until the reset process is completed.

In a similar way, the states of pins in a product that is reset by an on-chip power-on reset function are not guaranteed from the moment when power is supplied until the power reaches the level at which resetting has been specified.

3. Prohibition of Access to Reserved Addresses

Access to reserved addresses is prohibited.

- The reserved addresses are provided for the possible future expansion of functions. Do not access these addresses; the correct operation of LSI is not guaranteed if they are accessed.

4. Clock Signals

After applying a reset, only release the reset line after the operating clock signal has become stable.

When switching the clock signal during program execution, wait until the target clock signal has stabilized.

- When the clock signal is generated with an external resonator (or from an external oscillator) during a reset, ensure that the reset line is only released after full stabilization of the clock signal. Moreover, when switching to a clock signal produced with an external resonator (or by an external oscillator) while program execution is in progress, wait until the target clock signal is stable.

5. Differences between Products

Before changing from one product to another, i.e. to one with a different type number, confirm that the change will not lead to problems.

- The characteristics of MPU/MCU in the same group but having different type numbers may differ because of the differences in internal memory capacity and layout pattern. When changing to products of different type numbers, implement a system-evaluation test for each of the products.

Notice

1. All information included in this document is current as of the date this document is issued. Such information, however, is subject to change without any prior notice. Before purchasing or using any Renesas Electronics products listed herein, please confirm the latest product information with a Renesas Electronics sales office. Also, please pay regular and careful attention to additional and different information to be disclosed by Renesas Electronics such as that disclosed through our website.
 2. Renesas Electronics does not assume any liability for infringement of patents, copyrights, or other intellectual property rights of third parties by or arising from the use of Renesas Electronics products or technical information described in this document. No license, express, implied or otherwise, is granted hereby under any patents, copyrights or other intellectual property rights of Renesas Electronics or others.
 3. You should not alter, modify, copy, or otherwise misappropriate any Renesas Electronics product, whether in whole or in part.
 4. Descriptions of circuits, software and other related information in this document are provided only to illustrate the operation of semiconductor products and application examples. You are fully responsible for the incorporation of these circuits, software, and information in the design of your equipment. Renesas Electronics assumes no responsibility for any losses incurred by you or third parties arising from the use of these circuits, software, or information.
 5. When exporting the products or technology described in this document, you should comply with the applicable export control laws and regulations and follow the procedures required by such laws and regulations. You should not use Renesas Electronics products or the technology described in this document for any purpose relating to military applications or use by the military, including but not limited to the development of weapons of mass destruction. Renesas Electronics products and technology may not be used for or incorporated into any products or systems whose manufacture, use, or sale is prohibited under any applicable domestic or foreign laws or regulations.
 6. Renesas Electronics has used reasonable care in preparing the information included in this document, but Renesas Electronics does not warrant that such information is error free. Renesas Electronics assumes no liability whatsoever for any damages incurred by you resulting from errors in or omissions from the information included herein.
 7. Renesas Electronics products are classified according to the following three quality grades: "Standard", "High Quality", and "Specific". The recommended applications for each Renesas Electronics product depends on the product's quality grade, as indicated below. You must check the quality grade of each Renesas Electronics product before using it in a particular application. You may not use any Renesas Electronics product for any application categorized as "Specific" without the prior written consent of Renesas Electronics. Further, you may not use any Renesas Electronics product for any application for which it is not intended without the prior written consent of Renesas Electronics. Renesas Electronics shall not be in any way liable for any damages or losses incurred by you or third parties arising from the use of any Renesas Electronics product for an application categorized as "Specific" or for which the product is not intended where you have failed to obtain the prior written consent of Renesas Electronics. The quality grade of each Renesas Electronics product is "Standard" unless otherwise expressly specified in a Renesas Electronics data sheets or data books, etc.
"Standard": Computers; office equipment; communications equipment; test and measurement equipment; audio and visual equipment; home electronic appliances; machine tools; personal electronic equipment; and industrial robots.
"High Quality": Transportation equipment (automobiles, trains, ships, etc.); traffic control systems; anti-disaster systems; anti-crime systems; safety equipment; and medical equipment not specifically designed for life support.
"Specific": Aircraft; aerospace equipment; submersible repeaters; nuclear reactor control systems; medical equipment or systems for life support (e.g. artificial life support devices or systems), surgical implantations, or healthcare intervention (e.g. excision, etc.), and any other applications or purposes that pose a direct threat to human life.
 8. You should use the Renesas Electronics products described in this document within the range specified by Renesas Electronics, especially with respect to the maximum rating, operating supply voltage range, movement power voltage range, heat radiation characteristics, installation and other product characteristics. Renesas Electronics shall have no liability for malfunctions or damages arising out of the use of Renesas Electronics products beyond such specified ranges.
 9. Although Renesas Electronics endeavors to improve the quality and reliability of its products, semiconductor products have specific characteristics such as the occurrence of failure at a certain rate and malfunctions under certain use conditions. Further, Renesas Electronics products are not subject to radiation resistance design. Please be sure to implement safety measures to guard them against the possibility of physical injury, and injury or damage caused by fire in the event of the failure of a Renesas Electronics product, such as safety design for hardware and software including but not limited to redundancy, fire control and malfunction prevention, appropriate treatment for aging degradation or any other appropriate measures. Because the evaluation of microcomputer software alone is very difficult, please evaluate the safety of the final products or system manufactured by you.
 10. Please contact a Renesas Electronics sales office for details as to environmental matters such as the environmental compatibility of each Renesas Electronics product. Please use Renesas Electronics products in compliance with all applicable laws and regulations that regulate the inclusion or use of controlled substances, including without limitation, the EU RoHS Directive. Renesas Electronics assumes no liability for damages or losses occurring as a result of your noncompliance with applicable laws and regulations.
 11. This document may not be reproduced or duplicated, in any form, in whole or in part, without prior written consent of Renesas Electronics.
 12. Please contact a Renesas Electronics sales office if you have any questions regarding the information contained in this document or Renesas Electronics products, or if you have any other inquiries.
- (Note 1) "Renesas Electronics" as used in this document means Renesas Electronics Corporation and also includes its majority-owned subsidiaries.
(Note 2) "Renesas Electronics product(s)" means any product developed or manufactured by or for Renesas Electronics.



SALES OFFICES

Renesas Electronics Corporation

<http://www.renesas.com>

Refer to "<http://www.renesas.com/>" for the latest and detailed information.

Renesas Electronics America Inc.

2880 Scott Boulevard Santa Clara, CA 95050-2554, U.S.A.
Tel: +1-408-588-6000, Fax: +1-408-588-6130

Renesas Electronics Canada Limited

1101 Nicholson Road, Newmarket, Ontario L3Y 9C3, Canada
Tel: +1-905-898-5441, Fax: +1-905-898-3220

Renesas Electronics Europe Limited

Dukes Meadow, Millboard Road, Bourne End, Buckinghamshire, SL8 5FH, U.K.
Tel: +44-1628-585-100, Fax: +44-1628-585-900

Renesas Electronics Europe GmbH

Arcadiastrasse 10, 40472 Düsseldorf, Germany
Tel: +49-211-65030, Fax: +49-211-6503-1327

Renesas Electronics (China) Co., Ltd.

7th Floor, Quantum Plaza, No.27 ZhiChunLu Haidian District, Beijing 100083, P.R.China
Tel: +86-10-8235-1155, Fax: +86-10-8235-7679

Renesas Electronics (Shanghai) Co., Ltd.

Unit 204, 205, AZIA Center, No.1233 Lujiazui Ring Rd., Pudong District, Shanghai 200120, China
Tel: +86-21-5877-1818, Fax: +86-21-6887-7858 / -7898

Renesas Electronics Hong Kong Limited

Unit 1601-1613, 16/F., Tower 2, Grand Century Place, 193 Prince Edward Road West, Mongkok, Kowloon, Hong Kong
Tel: +852-2886-9318, Fax: +852 2886-9022/9044

Renesas Electronics Taiwan Co., Ltd.

7F, No. 363 Fu Shing North Road Taipei, Taiwan
Tel: +886-2-8175-9600, Fax: +886 2-8175-9670

Renesas Electronics Singapore Pte. Ltd.

1 harbourFront Avenue, #06-10, Keppel Bay Tower, Singapore 098632
Tel: +65-6213-0200, Fax: +65-6278-8001

Renesas Electronics Malaysia Sdn.Bhd.

Unit 906, Block B, Menara Amcorp, Amcorp Trade Centre, No. 18, Jln Persiaran Barat, 46050 Petaling Jaya, Selangor Darul Ehsan, Malaysia
Tel: +60-3-7955-9390, Fax: +60-3-7955-9510

Renesas Electronics Korea Co., Ltd.

11F., Samik Lavied' or Bldg., 720-2 Yeoksam-Dong, Kangnam-Ku, Seoul 135-080, Korea
Tel: +82-2-558-3737, Fax: +82-2-558-5141