
RX200 Series

R01AN1012EJ0130

Rev. 1.30

Design Guide for Sub-Clock Circuits

Mar. 7, 2016

Abstract

The sub-clock oscillation circuit is a circuit with a low gain used to reduce power consumption. Due to the low gain, there is a risk that noise may cause the MCU to operate erroneously. This document describes how to minimize this risk when using a low CL resonator.

Products

RX200 Series (LQFP, LFQFP packages)

When using this application note with other Renesas MCUs, careful evaluation is recommended after making modifications to comply with the alternate MCU.

Contents

- 1. Points on Board Design..... 3
 - 1.1 Points on Stabilizing Oscillation..... 3
 - 1.1.1 Points on XCIN and XCOU^T Wiring 3
 - 1.1.2 Points Regarding the Ground Shield..... 5
 - 1.1.3 Points Regarding the Bottom Ground..... 6
 - 1.1.4 Other Points..... 9
 - 1.1.5 Points on Wiring the Main Clock Resonator 10
 - 1.2 Trace Example Showing a High Risk of Erroneous Operation Due to Noise..... 11
 - 1.3 Reference Oscillation Circuit Constants and Verified Resonator Operation 13
- 2. Reference Documents..... 15

1. Points on Board Design

1.1 Points on Stabilizing Oscillation

1.1.1 Points on XCIN and XCOUW Wiring

(1) to (6) below describe points on wiring for XCIN and XCOUW. Figure 1.1 shows an Example of Preferred Trace for XCIN and XCOUW Wiring. Figure 1.2 shows an Example of Alternate Trace for XCIN and XCOUW Wiring.

- (1) Do not cross the XCIN and XCOUW wires with other signal wires.
- (2) Do not add an observation pin to XCIN and XCOUW.
- (3) Make the XCIN and XCOUW wire width between 0.1 and 0.3 mm. The wire length from the MCU pins to the crystal resonator pins should be less than 10 mm, or at least as close to 10 mm if longer.
- (4) The wire connected to the XCIN pin and the wire connected to the XCOUW pin should have as much space between them (at least 0.3 mm) as possible.
- (5) Connect external capacitors as close together as possible. Connect the wire for the capacitors to the ground trace (hereinafter referred to as ground shield) on the component side. For details on the ground shield, refer to section 1.1.2. When the capacitors cannot be laid out as shown in Figure 1.1, use the layout shown in Figure 1.2.
- (6) In order to decrease the parasitic capacitance between XCIN and XCOUW, include a ground trace between the resonator and the MCU.

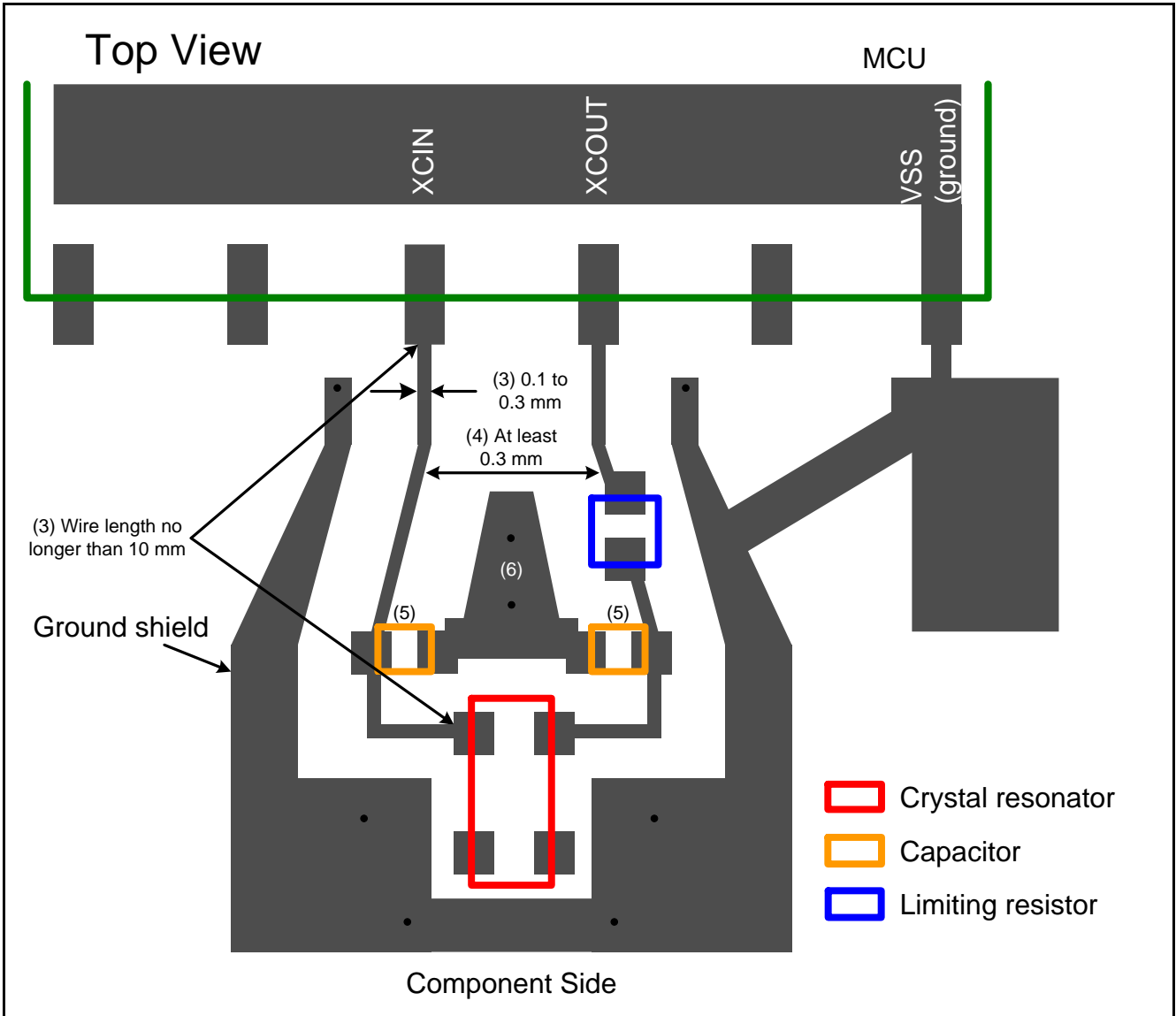


Figure 1.1 Example of Preferred Trace for XCIN and XCOU Wiring

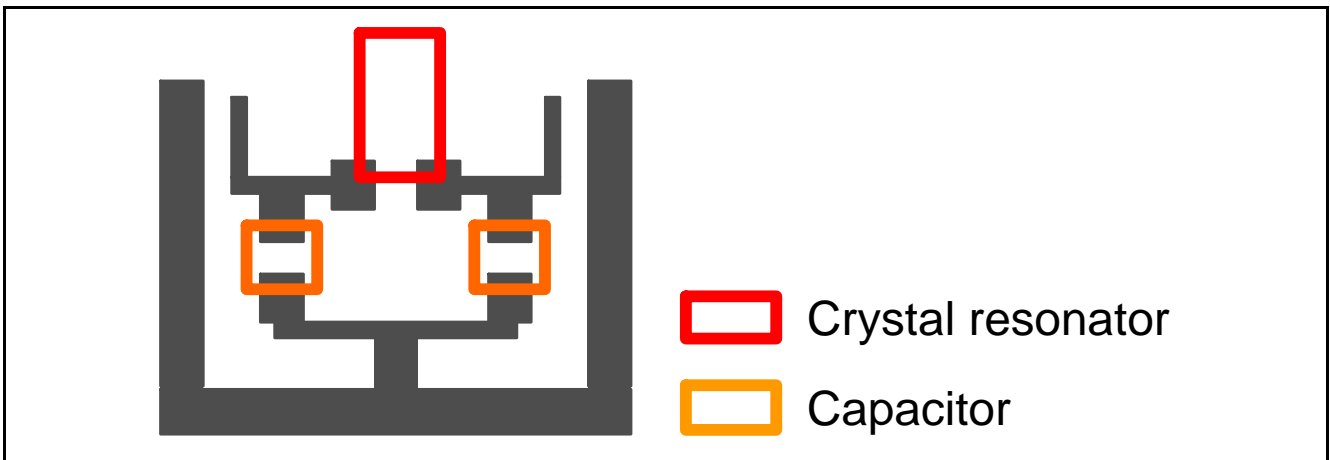


Figure 1.2 Example of Alternate Trace for XCIN and XCOU Wiring

1.1.2 Points Regarding the Ground Shield

Shield the crystal resonator with a ground trace. (1) to (4) below describe the points regarding the ground shield, and Figure 1.3 shows a trace example.

- (1) Lay out the ground shield on the same layer as the crystal resonator wiring.
- (2) Wire the ground shield as close to the VSS pin on the MCU as possible, and ensure that the wire width is at least 0.3 mm.
- (3) To prevent current from running to the ground shield, branch the ground shield and the ground on the board near the VSS pin on the board.
- (4) Make the ground shield wire width at least 0.3 mm, and leave a 0.3 to 2.0 mm gap in between wires.

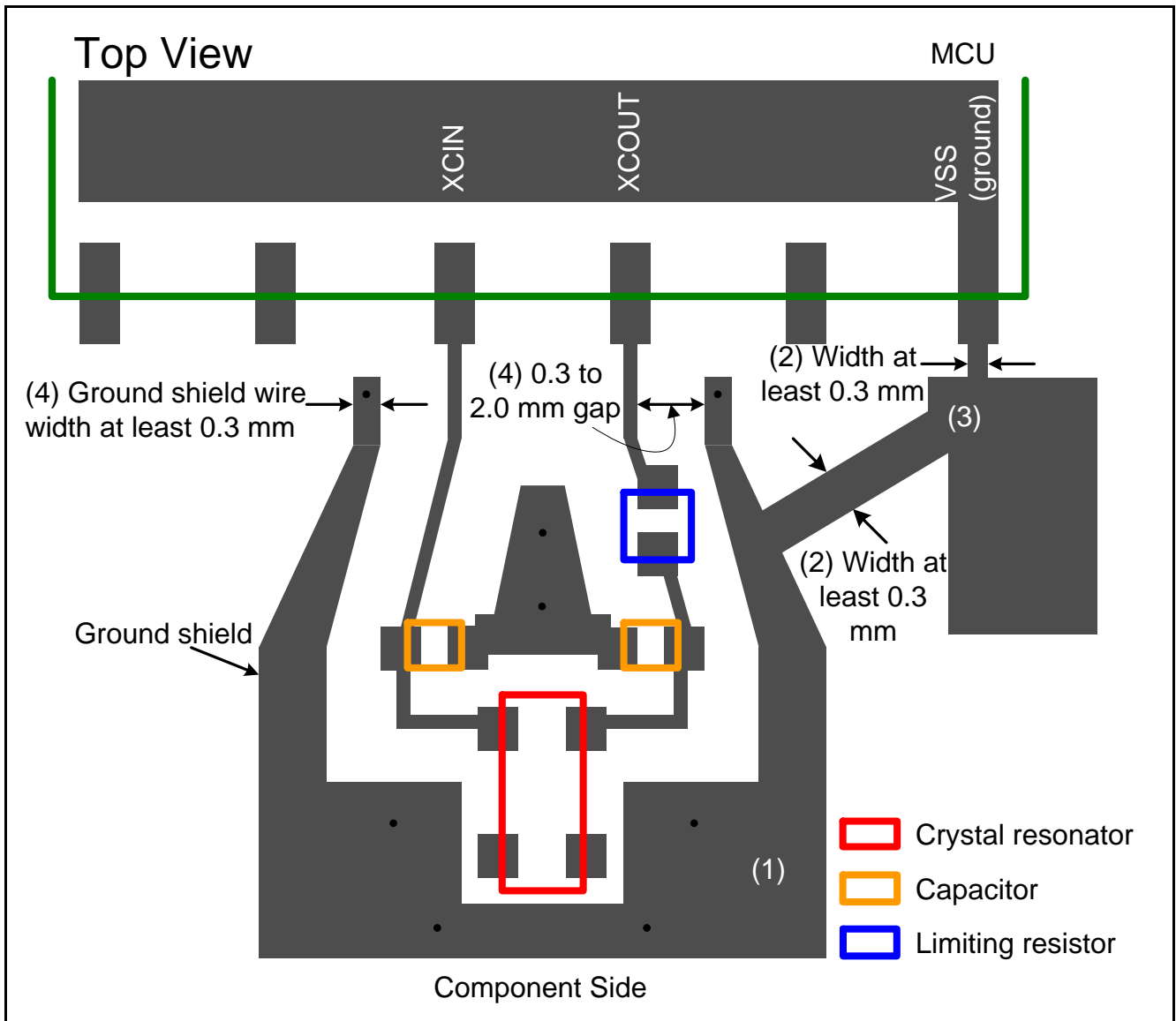


Figure 1.3 Trace Example for the Ground Shield

1.1.3 Points Regarding the Bottom Ground

1.1.3.1 Points When a Multilayered Board is at Least 1.2 mm

For boards that are at least 1.2 mm thick, lay out a ground trace on the solder side (hereinafter referred to as bottom ground) of the crystal resonator area (see Figure 1.4).

(1) through (3) describe points when making a multilayered board that is at least 1.2 mm thick, and Figure 1.4 shows a trace example.

- (1) Do not lay out any traces in the middle layers of the crystal resonator area. Do not lay out power supply and ground traces in this area. Do not pass signal wires through this area either.
- (2) Make the bottom ground at least 0.1 mm bigger than the ground shield. Connect the bottom ground on the solder side only to the ground shield on the component side before connecting it to the VSS pin.
- (3) Connect the ground shield terminator to the bottom ground.

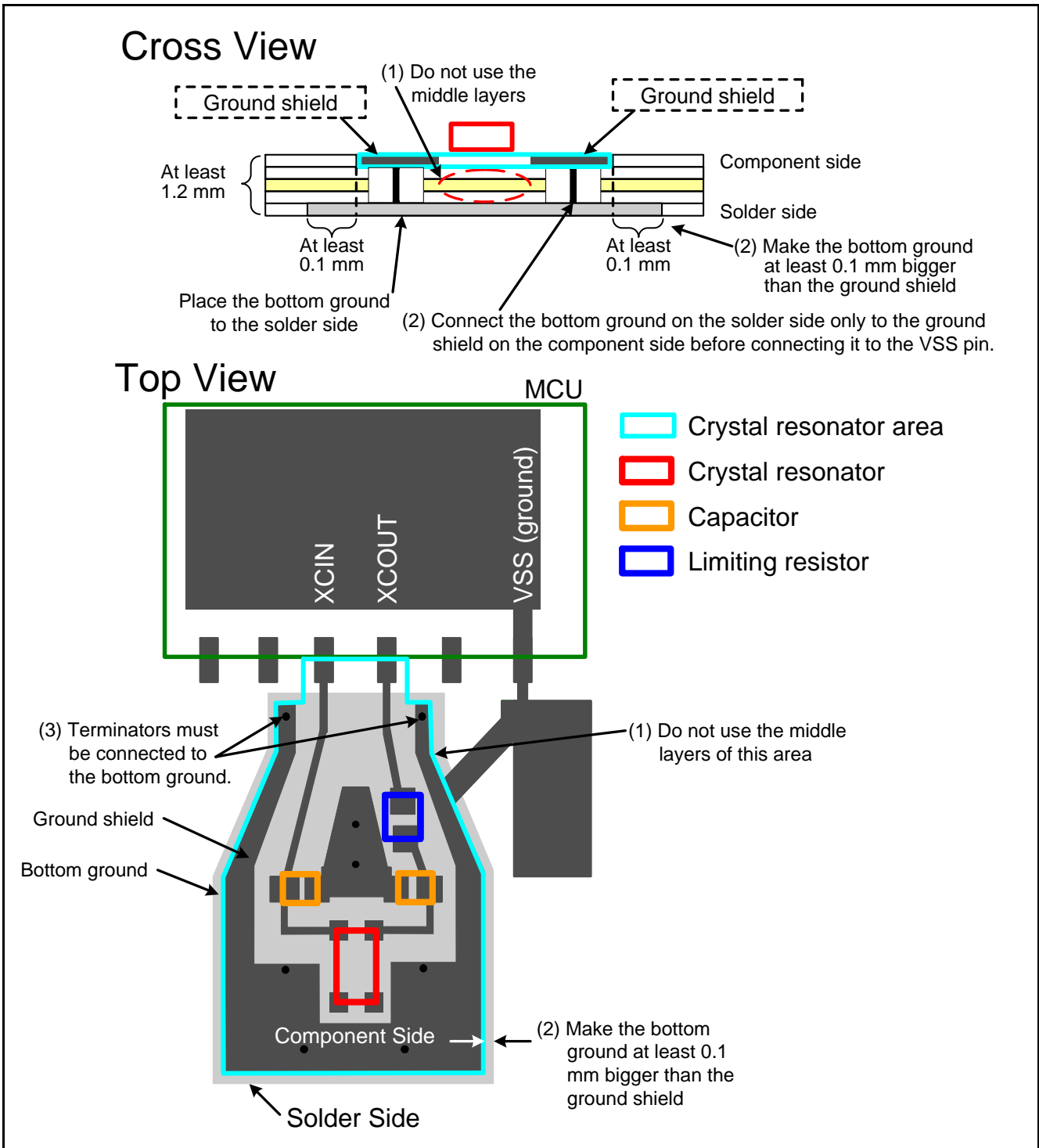


Figure 1.4 Trace Example When a Multilayered Board is at Least 1.2 mm Thick

1.1.3.2 Points When a Multilayered Board is Less Than 1.2 mm Thick

(1) describes points when making a multilayered board that is less than 1.2 mm thick, and Figure 1.5 shows a trace example.

- (1) Do not lay out any traces to layers other than the component side for the crystal resonator area. Do not lay out power supply and ground traces in this area. Do not pass signal wires through this area either.

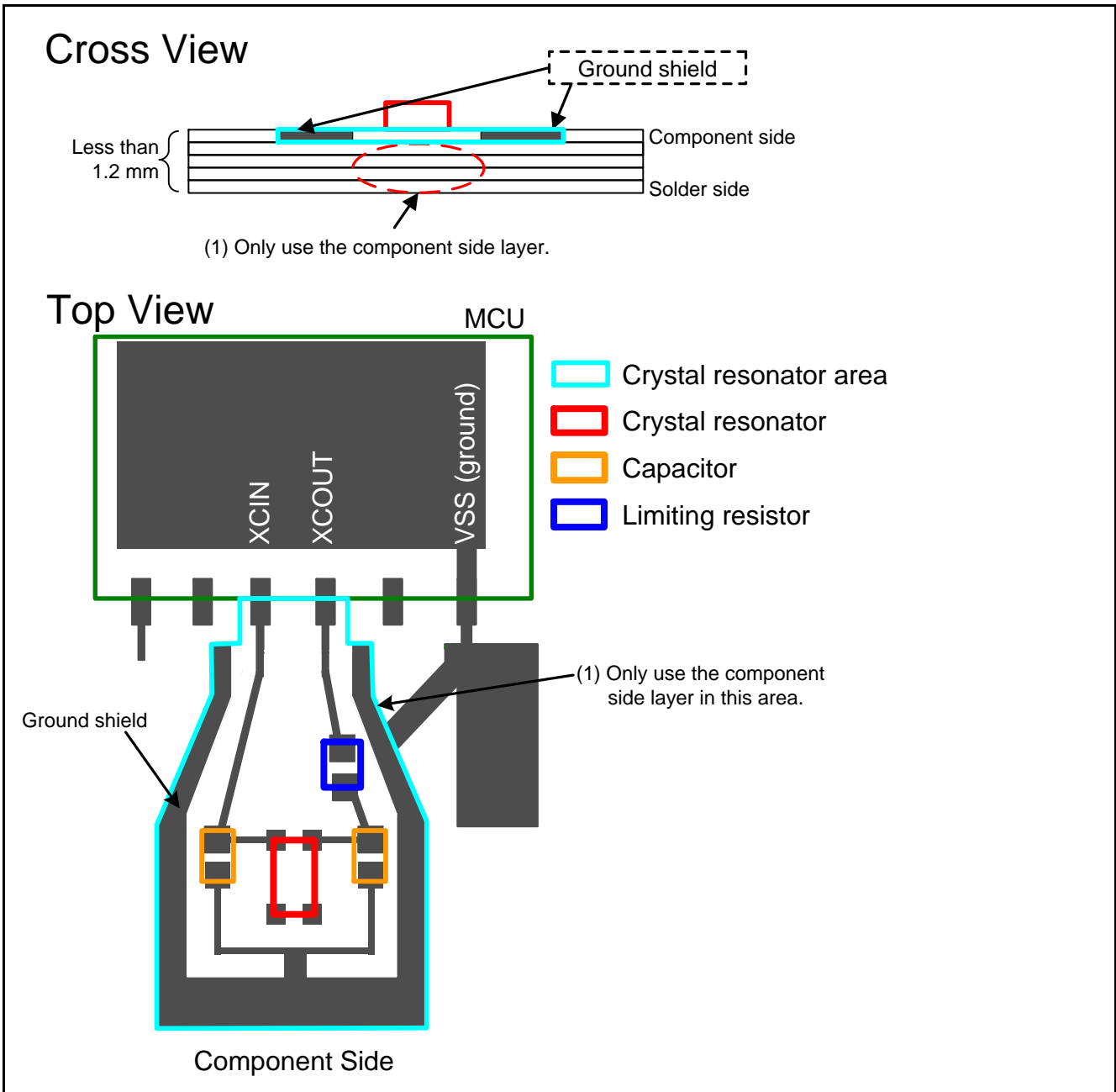


Figure 1.5 Trace Example When a Multilayered Board is Less Than 1.2 mm Thick

1.1.4 Other Points

(1) to (4) below describe other points, and Figure 1.6 shows a trace example.

- (1) Do not place the XCIN and XCOU wires near wires that have big changes in current.
- (2) Do not run the XCIN and XCOU wires parallel to other signal wires like those for adjacent pins.
- (3) Pin wiring that runs adjacent to the XCIN and XCOU pins should not just be laid out outside the MCU. Lay out the wiring through the bottom side of the MCU first and then lay out the wiring to an area away from the XCIN and XCOU pins (to avoid the wiring from laying out the wiring parallel with the XCIN and XCOU wiring).
- (4) Lay out as much of the ground trace on the bottom side of the MCU as possible.

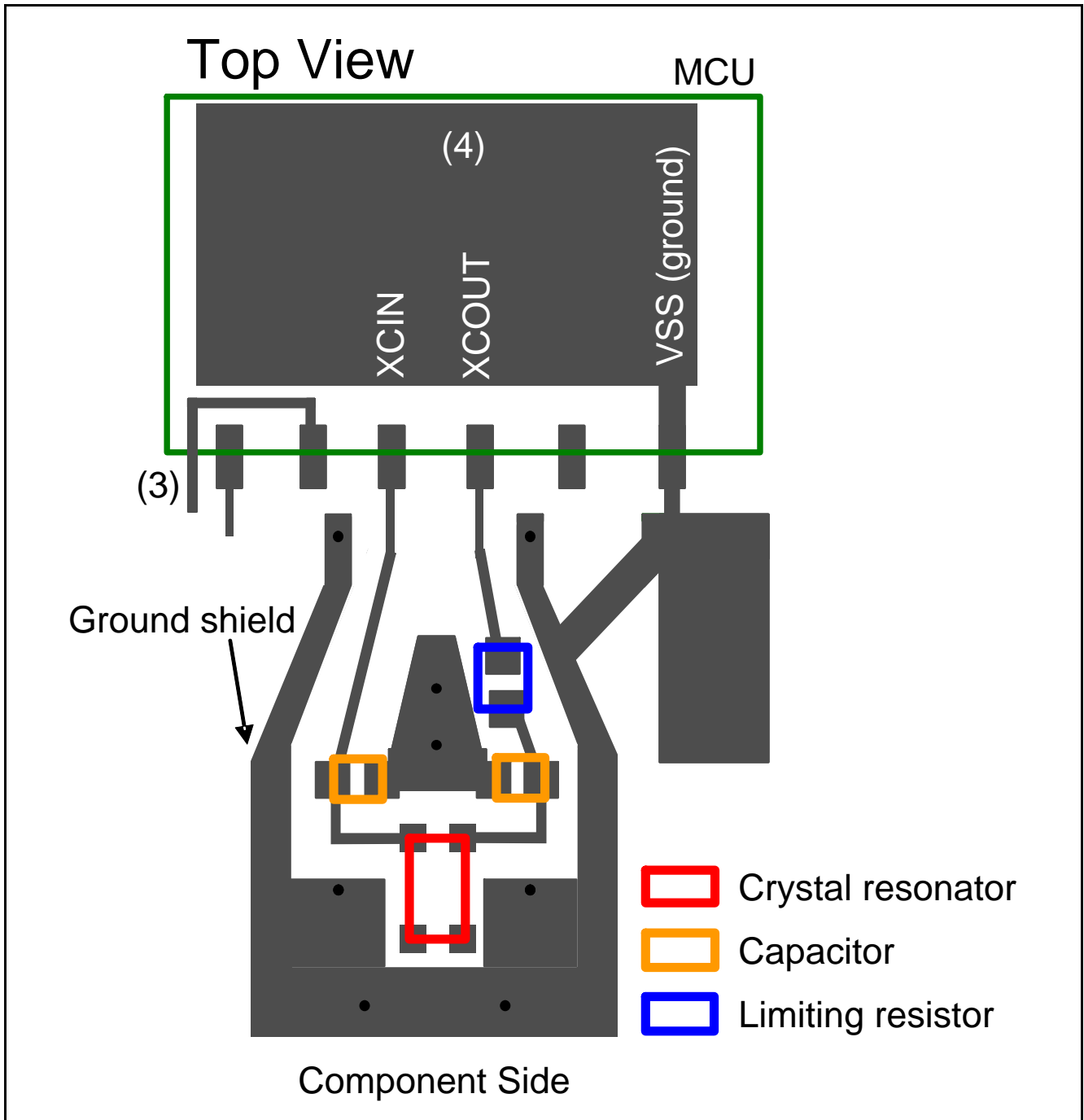


Figure 1.6 Trace Example for Other Points

1.1.5 Points on Wiring the Main Clock Resonator

(1) describes points on wiring the main clock resonator, and Figure 1.7 shows a trace example.

- (1) Shield the main clock resonator wiring with a ground. Do not connect the ground shield for the main clock and sub-clock together. Note that if the main clock ground shield is connected directly to the sub-clock ground shield, there is a possibility that noise from the main clock resonator may transfer through and affect the sub-clock.

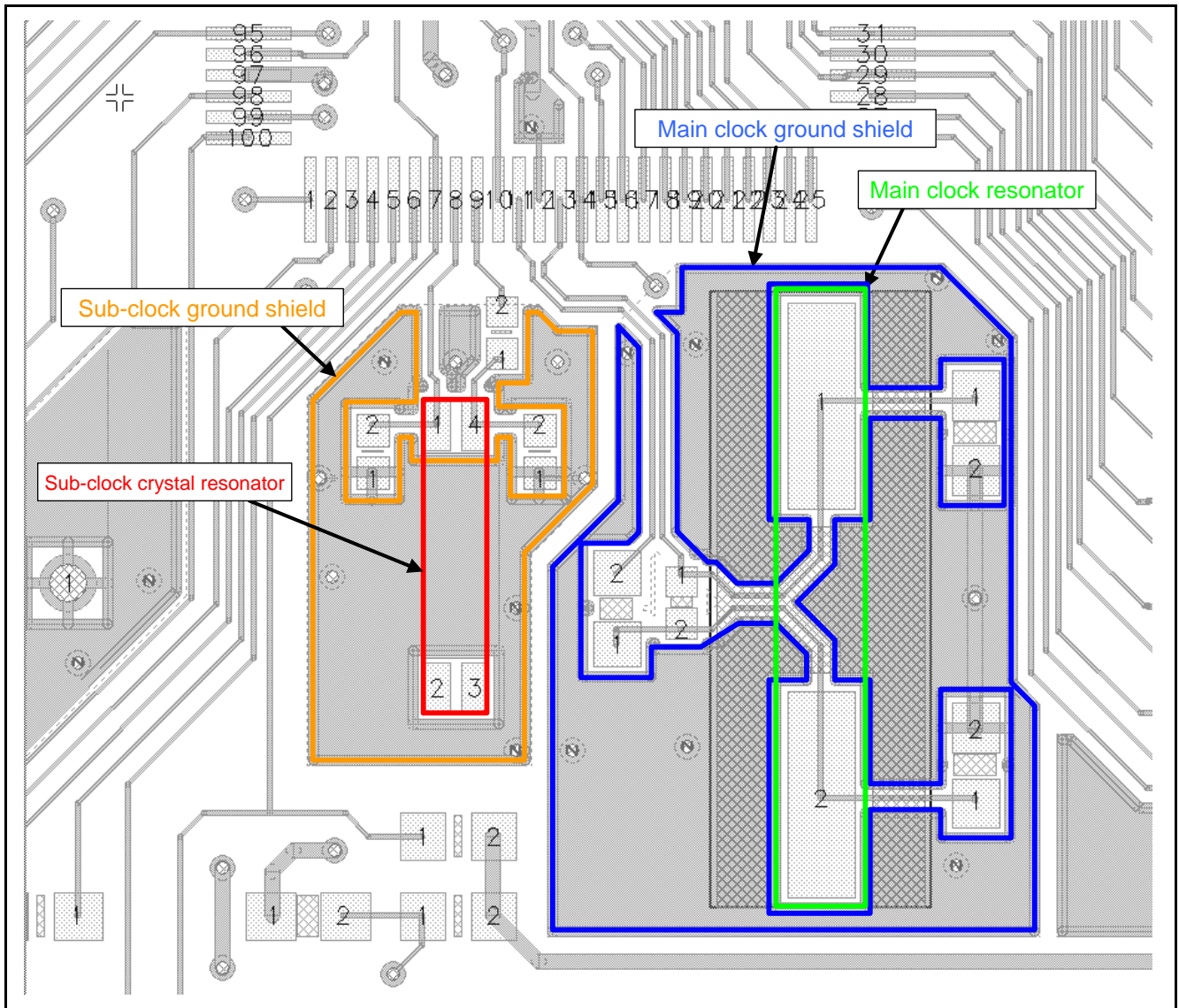


Figure 1.7 Trace Example When Shielding the Main Clock Resonator With a Ground

1.2 Trace Example Showing a High Risk of Erroneous Operation Due to Noise

Do not lay out traces described in (1) through (9). Laying out the traces below may cause the low CL resonator to not oscillate correctly. Figure 1.8 shows a trace example.

- (1) XCIN and XCOOUT wires cross other signal wires (risk of erroneous operation).
- (2) Observation pins are attached to XCIN and XCOOUT (risk of oscillation stopping).
- (3) XCIN and XCOOUT wires are long (risk of erroneous operation or decreased accuracy).
- (4) The ground shield does not cover the entire area, and where there is a ground shield, the wiring is long and narrow (easily affected by noise, and there is a risk that accuracy will decrease from the ground potential difference generated by the MCU and external capacitor).
- (5) Ground shield is not detached near VSS pin (risk of erroneous operation from MCU current flowing to the ground shield).
- (6) Power supply or ground trace are under the XCIN and XCOOUT wiring (risk of losing the clock or oscillation stopping).
- (7) A wire with a large-current is routed nearby (risk of erroneous operation).
- (8) Parallel wiring for adjacent pins is close and long (risk of losing the clock or oscillation stopping).
- (9) The middle layers are used (risk of oscillation characteristics decreasing or signals operating erroneously).

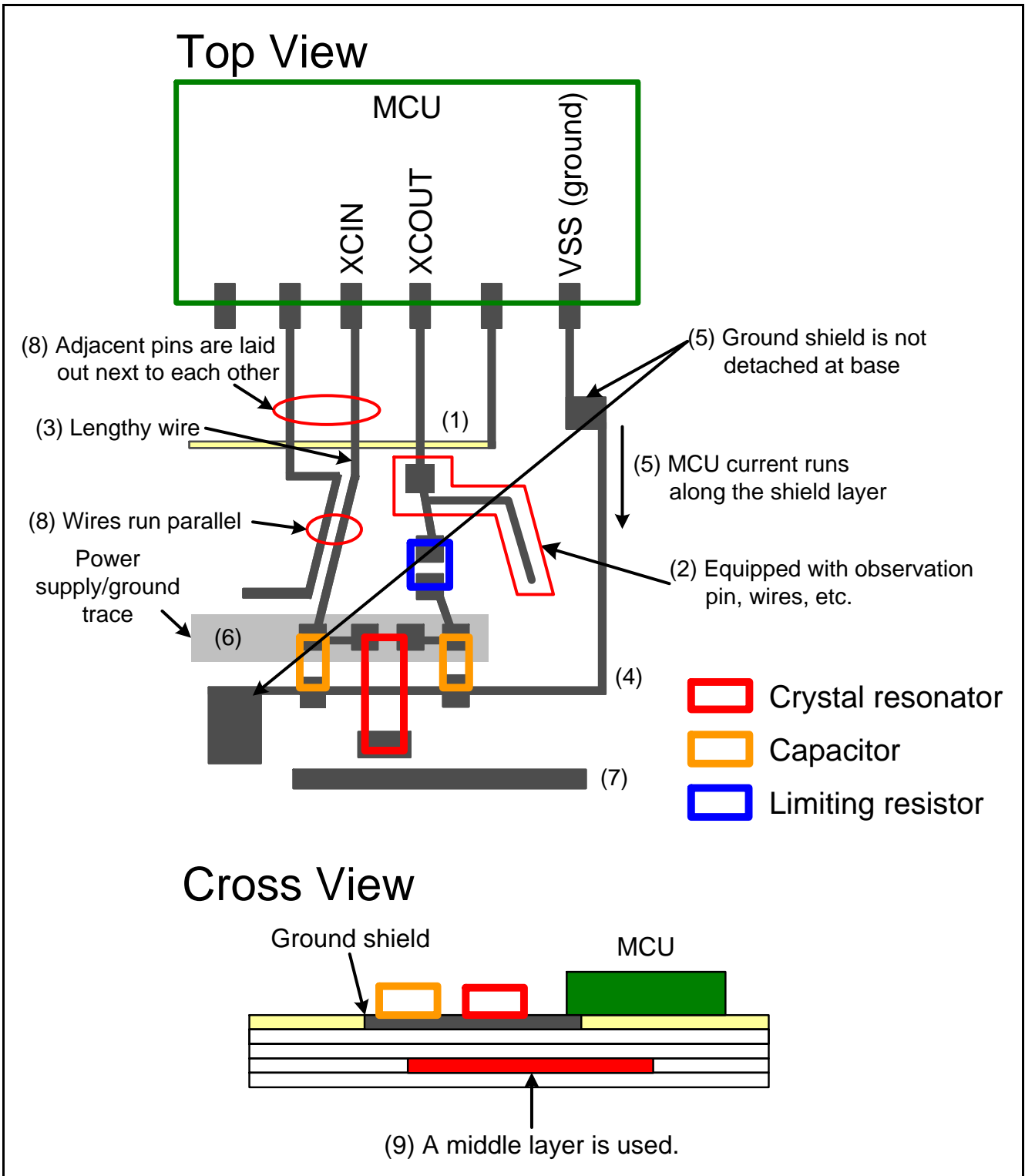


Figure 1.8 Trace Example Showing a High Risk of Erroneous Operation Due to Noise

1.3 Reference Oscillation Circuit Constants and Verified Resonator Operation

Table 1.1 lists the reference oscillation circuit constants for the verified resonator operation, and Figure 1.9 shows a trace example of the verified resonator operation.

Table 1.1 Reference Oscillation Circuit Constants for the Verified Resonator Operation

Manufacturer	Product	SMD/With Leads	Frequency	Sub-Clock Oscillation Mode	Load Capacity Cl	Load Capacity Cg (1)	Load Capacity Cd (2)	Oscillation Stabilization Time	Negative Resistance
Seiko Instruments Inc.	SSP-T7-FL ⁽¹⁾	SMD	32.768 kHz	Low CL drive capacity	4.4 pF	8 pF	5 pF	0.98 seconds	-484 kΩ
Seiko Epson Inc.	MC-146 ⁽²⁾	SMD	32.768 kHz	Standard CL drive capacity	7 pF	9 pF	9 pF	1.15 seconds	-1000 kΩ
Seiko Epson Inc.	MC-146L ⁽²⁾	SMD	32.768 kHz	Low CL drive capacity	3.7 pF	3 pF	3 pF	1 second	-510 kΩ

Note:

1. When using this resonator, contact Seiko Instruments Inc. for details on matching (<http://www.sii-crystal.com>).
2. When using this resonator, contact Seiko Epson Inc. for details on matching (<http://www5.epsondevice.com/en/>).

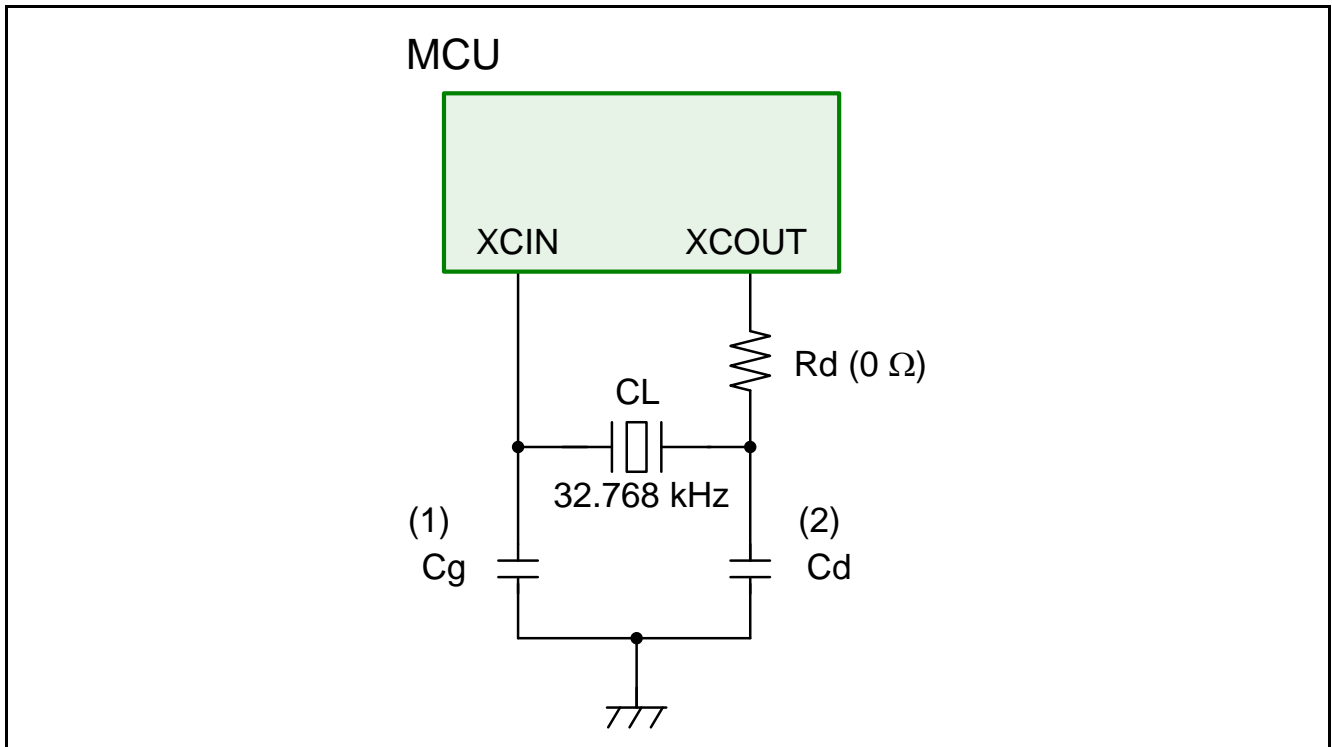


Figure 1.9 Trace Example for Verified Resonator Operation

The verified resonator operation and reference oscillation circuit constants listed here are based on information from the resonator manufacturer and not guaranteed. As reference oscillation circuit constants are measurements surveyed under fixed conditions by the manufacturer, values measured in the user system may vary. To achieve the optimum reference oscillation circuit constants for use in the actual user system, inquire with the resonator manufacturer to perform an evaluation on the actual circuit.

The conditions in the figure are conditions for oscillating the resonator connected to the MCU and are not operating conditions for the MCU itself. Refer to the specifications in the electrical characteristics for details on the MCU operating conditions.

2. Reference Documents

User's Manual: Hardware

The latest revision can be downloaded from the Renesas Electronics website.

Technical Update/Technical News

The latest information can be downloaded from the Renesas Electronics website.

Website and Support

Renesas Electronics website

<http://www.renesas.com>

Inquiries

<http://www.renesas.com/contact/>

All trademarks and registered trademarks are the property of their respective owners.

Revision History

Rev.	Date	Description	
		Page	Summary
1.00	Jun. 1, 2012	-	First edition issued
1.10	Mar. 3, 2014	1	Added the RX21A and RX220 Groups to the Products.
1.20	Jun. 30, 2015	1	Changed the target device to RX200 Series.
1.30	Mar. 7, 2016	13	Added a reference oscillation circuit constants in Table 1.1 (Manufactured by Seiko Epson Inc.)

General Precautions in the Handling of Microprocessing Unit and Microcontroller Unit Products

The following usage notes are applicable to all Microprocessing unit and Microcontroller unit products from Renesas. For detailed usage notes on the products covered by this document, refer to the relevant sections of the document as well as any technical updates that have been issued for the products.

1. Handling of Unused Pins

Handle unused pins in accordance with the directions given under Handling of Unused Pins in the manual.

- The input pins of CMOS products are generally in the high-impedance state. In operation with an unused pin in the open-circuit state, extra electromagnetic noise is induced in the vicinity of LSI, an associated shoot-through current flows internally, and malfunctions occur due to the false recognition of the pin state as an input signal become possible. Unused pins should be handled as described under Handling of Unused Pins in the manual.

2. Processing at Power-on

The state of the product is undefined at the moment when power is supplied.

- The states of internal circuits in the LSI are indeterminate and the states of register settings and pins are undefined at the moment when power is supplied.
In a finished product where the reset signal is applied to the external reset pin, the states of pins are not guaranteed from the moment when power is supplied until the reset process is completed. In a similar way, the states of pins in a product that is reset by an on-chip power-on reset function are not guaranteed from the moment when power is supplied until the power reaches the level at which resetting has been specified.

3. Prohibition of Access to Reserved Addresses

Access to reserved addresses is prohibited.

- The reserved addresses are provided for the possible future expansion of functions. Do not access these addresses; the correct operation of LSI is not guaranteed if they are accessed.

4. Clock Signals

After applying a reset, only release the reset line after the operating clock signal has become stable. When switching the clock signal during program execution, wait until the target clock signal has stabilized.

- When the clock signal is generated with an external resonator (or from an external oscillator) during a reset, ensure that the reset line is only released after full stabilization of the clock signal. Moreover, when switching to a clock signal produced with an external resonator (or by an external oscillator) while program execution is in progress, wait until the target clock signal is stable.

5. Differences between Products

Before changing from one product to another, i.e. to a product with a different part number, confirm that the change will not lead to problems.

- The characteristics of Microprocessing unit or Microcontroller unit products in the same group but having a different part number may differ in terms of the internal memory capacity, layout pattern, and other factors, which can affect the ranges of electrical characteristics, such as characteristic values, operating margins, immunity to noise, and amount of radiated noise. When changing to a product with a different part number, implement a system-evaluation test for the given product.

Notice

1. Descriptions of circuits, software and other related information in this document are provided only to illustrate the operation of semiconductor products and application examples. You are fully responsible for the incorporation of these circuits, software, and information in the design of your equipment. Renesas Electronics assumes no responsibility for any losses incurred by you or third parties arising from the use of these circuits, software, or information.
 2. Renesas Electronics has used reasonable care in preparing the information included in this document, but Renesas Electronics does not warrant that such information is error free. Renesas Electronics assumes no liability whatsoever for any damages incurred by you resulting from errors in or omissions from the information included herein.
 3. Renesas Electronics does not assume any liability for infringement of patents, copyrights, or other intellectual property rights of third parties by or arising from the use of Renesas Electronics products or technical information described in this document. No license, express, implied or otherwise, is granted hereby under any patents, copyrights or other intellectual property rights of Renesas Electronics or others.
 4. You should not alter, modify, copy, or otherwise misappropriate any Renesas Electronics product, whether in whole or in part. Renesas Electronics assumes no responsibility for any losses incurred by you or third parties arising from such alteration, modification, copy or otherwise misappropriation of Renesas Electronics product.
 5. Renesas Electronics products are classified according to the following two quality grades: "Standard" and "High Quality". The recommended applications for each Renesas Electronics product depends on the product's quality grade, as indicated below.
"Standard": Computers; office equipment; communications equipment; test and measurement equipment; audio and visual equipment; home electronic appliances; machine tools; personal electronic equipment; and industrial robots etc.
"High Quality": Transportation equipment (automobiles, trains, ships, etc.); traffic control systems; anti-disaster systems; anti-crime systems; and safety equipment etc.
Renesas Electronics products are neither intended nor authorized for use in products or systems that may pose a direct threat to human life or bodily injury (artificial life support devices or systems, surgical implantations etc.), or may cause serious property damages (nuclear reactor control systems, military equipment etc.). You must check the quality grade of each Renesas Electronics product before using it in a particular application. You may not use any Renesas Electronics product for any application for which it is not intended. Renesas Electronics shall not be in any way liable for any damages or losses incurred by you or third parties arising from the use of any Renesas Electronics product for which the product is not intended by Renesas Electronics.
 6. You should use the Renesas Electronics products described in this document within the range specified by Renesas Electronics, especially with respect to the maximum rating, operating supply voltage range, movement power voltage range, heat radiation characteristics, installation and other product characteristics. Renesas Electronics shall have no liability for malfunctions or damages arising out of the use of Renesas Electronics products beyond such specified ranges.
 7. Although Renesas Electronics endeavors to improve the quality and reliability of its products, semiconductor products have specific characteristics such as the occurrence of failure at a certain rate and malfunctions under certain use conditions. Further, Renesas Electronics products are not subject to radiation resistance design. Please be sure to implement safety measures to guard them against the possibility of physical injury, and injury or damage caused by fire in the event of the failure of a Renesas Electronics product, such as safety design for hardware and software including but not limited to redundancy, fire control and malfunction prevention, appropriate treatment for aging degradation or any other appropriate measures. Because the evaluation of microcomputer software alone is very difficult, please evaluate the safety of the final products or systems manufactured by you.
 8. Please contact a Renesas Electronics sales office for details as to environmental matters such as the environmental compatibility of each Renesas Electronics product. Please use Renesas Electronics products in compliance with all applicable laws and regulations that regulate the inclusion or use of controlled substances, including without limitation, the EU RoHS Directive. Renesas Electronics assumes no liability for damages or losses occurring as a result of your noncompliance with applicable laws and regulations.
 9. Renesas Electronics products and technology may not be used for or incorporated into any products or systems whose manufacture, use, or sale is prohibited under any applicable domestic or foreign laws or regulations. You should not use Renesas Electronics products or technology described in this document for any purpose relating to military applications or use by the military, including but not limited to the development of weapons of mass destruction. When exporting the Renesas Electronics products or technology described in this document, you should comply with the applicable export control laws and regulations and follow the procedures required by such laws and regulations.
 10. It is the responsibility of the buyer or distributor of Renesas Electronics products, who distributes, disposes of, or otherwise places the product with a third party, to notify such third party in advance of the contents and conditions set forth in this document, Renesas Electronics assumes no responsibility for any losses incurred by you or third parties as a result of unauthorized use of Renesas Electronics products.
 11. This document may not be reproduced or duplicated in any form, in whole or in part, without prior written consent of Renesas Electronics.
 12. Please contact a Renesas Electronics sales office if you have any questions regarding the information contained in this document or Renesas Electronics products, or if you have any other inquiries.
- (Note 1) "Renesas Electronics" as used in this document means Renesas Electronics Corporation and also includes its majority-owned subsidiaries.
(Note 2) "Renesas Electronics product(s)" means any product developed or manufactured by or for Renesas Electronics.



SALES OFFICES

Renesas Electronics Corporation

<http://www.renesas.com>

Refer to "<http://www.renesas.com/>" for the latest and detailed information.

Renesas Electronics America Inc.

2801 Scott Boulevard Santa Clara, CA 95050-2549, U.S.A.
Tel: +1-408-588-6000, Fax: +1-408-588-6130

Renesas Electronics Canada Limited

9251 Yonge Street, Suite 8309 Richmond Hill, Ontario Canada L4C 9T3
Tel: +1-905-237-2004

Renesas Electronics Europe Limited

Dukes Meadow, Millboard Road, Bourne End, Buckinghamshire, SL8 5FH, U.K.
Tel: +44-1628-585-100, Fax: +44-1628-585-900

Renesas Electronics Europe GmbH

Arcadiastrasse 10, 40472 Düsseldorf, Germany
Tel: +49-211-6503-0, Fax: +49-211-6503-1327

Renesas Electronics (China) Co., Ltd.

Room 1709, Quantum Plaza, No.27 ZhiChunLu Haidian District, Beijing 100191, P.R.China
Tel: +86-10-8235-1155, Fax: +86-10-8235-7679

Renesas Electronics (Shanghai) Co., Ltd.

Unit 301, Tower A, Central Towers, 555 Langao Road, Putuo District, Shanghai, P. R. China 200333
Tel: +86-21-2226-0888, Fax: +86-21-2226-0999

Renesas Electronics Hong Kong Limited

Unit 1601-1611, 16/F., Tower 2, Grand Century Place, 193 Prince Edward Road West, Mongkok, Kowloon, Hong Kong
Tel: +852-2265-6688, Fax: +852 2886-9022

Renesas Electronics Taiwan Co., Ltd.

13F, No. 363, Fu Shing North Road, Taipei 10543, Taiwan
Tel: +886-2-8175-9600, Fax: +886 2-8175-9670

Renesas Electronics Singapore Pte. Ltd.

80 Bendemeer Road, Unit #06-02 Hyflux Innovation Centre, Singapore 339949
Tel: +65-6213-0200, Fax: +65-6213-0300

Renesas Electronics Malaysia Sdn.Bhd.

Unit 1207, Block B, Menara Amcorp, Amcorp Trade Centre, No. 18, Jln Persiaran Barat, 46050 Petaling Jaya, Selangor Darul Ehsan, Malaysia
Tel: +60-3-7955-9390, Fax: +60-3-7955-9510

Renesas Electronics India Pvt. Ltd.

No.777C, 100 Feet Road, HALII Stage, Indiranagar, Bangalore, India
Tel: +91-80-67208700, Fax: +91-80-67208777

Renesas Electronics Korea Co., Ltd.

12F., 234 Teheran-ro, Gangnam-Gu, Seoul, 135-080, Korea
Tel: +82-2-558-3737, Fax: +82-2-558-5141