

RL78/G23

ELCL Slave Select Pin Function (for 4-wire SPI)

Introduction

This application note describes how to use the logic and event link controller (ELCL) to implement slave selection terminal in 3-wire serial communication (SPI).

Target Device

RL78/G23

When applying the sample program covered in this application note to another microcomputer, modify the program according to the specifications for the target microcomputer and conduct an extensive evaluation of the modified program.

Contents

1. Specifications	3
2. Conditions for Operation Confirmation Test	4
3. Hardware	5
3.1 Example of Hardware Configuration	5
3.2 Used Pins	5
4. Software	6
4.1 Overview of the sample program	6
4.2 Folder Configuration	7
4.3 Option Byte Settings	8
4.4 Constants	8
4.5 Variables	8
4.6 Functions	9
4.7 Function Specifications	10
4.8 Flow Charts	11
4.8.1 Main Process	11
4.8.2 CSI00 reception complete callback process	12
5. Application example	13
5.1 Setting up the ELCL components	13
5.2 r01an5614_elcl_ss.scfg	15
5.2.1 Clocks	16
5.2.2 System	16
5.2.3 r_bsp	16
5.2.4 Config_LVD0	16
5.2.5 Config_CSI00	17
5.2.6 Config_SlaveSelectPinFunction	17
5.2.7 Config_PORT	17
5.3 Component "ELCL slave select pin function"	18
5.3.1 Setting the ELCL Register	19
6. Sample Code	22
7. Reference	22
Revision History	23

1. Specifications

This application note describes how to use ELCL to add slave selection (\overline{SS}) to the slave receive mode of a serial array unit's (SAU) 3-wire serial I/O (CSI) and achieve 4-wire SPI (Serial Peripheral Interface) communication.

Figure 1-1 shows the timing chart of SPI communication.

The \overline{SS} signal for selecting the slave chips to enable is output from the master chip before starting communication. The slave chip selected by \overline{SS} communicates when $\overline{SS} = 0$ and does not communicate when $\overline{SS} = 1$.

Figure 1-1 Timing chart of SPI communication

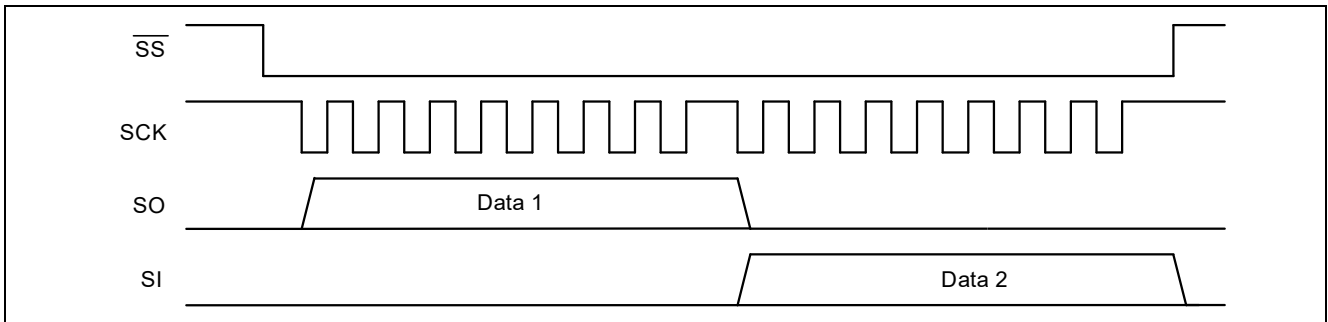


Figure 1-2 shows the system configuration for slave select (\overline{SS}) signal control using ELCL, and Figure 1-3 shows the timing chart. The SCK00 input is masked while INPUT A = 1. SAU0 can receive only for the period of INPUT A = 0.

Figure 1-2 System Configuration

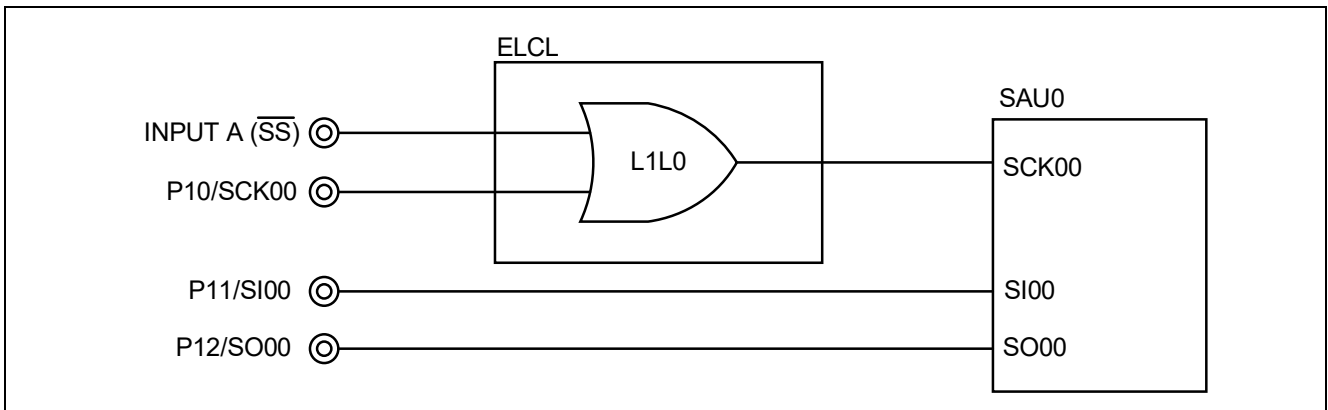
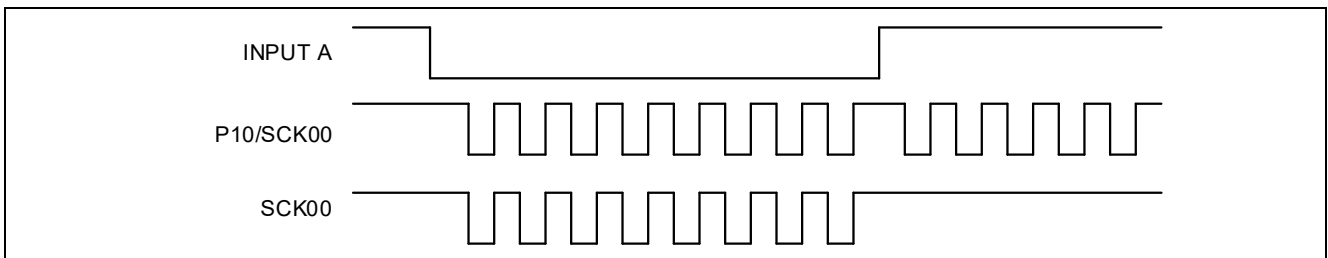


Figure 1-3 Timing chart



2. Conditions for Operation Confirmation Test

The sample code with this application note runs properly under the condition below.

Table 2-1 Operation Confirmation Conditions

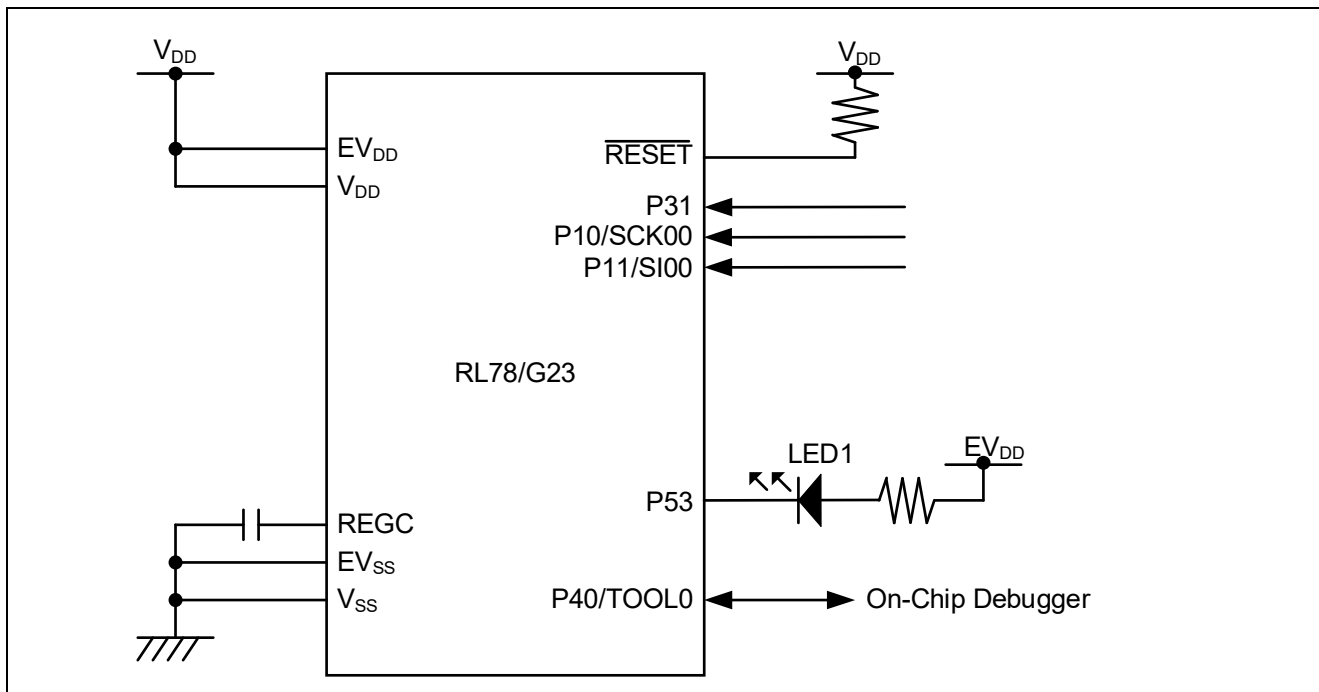
Items	Contents
MCU	RL78/G23 (R7F100GLG)
Operating frequencies	<ul style="list-style-type: none"> High-speed on-chip oscillator clock: 32 MHz CPU/peripheral hardware clock: 32 MHz
Operating voltage	<ul style="list-style-type: none"> 3.3V LVD0 operations (V_{LVD0}) : Reset mode Rising edge TYP.1.90V Falling edge TYP.1.86V
Integrated development environment (CS+)	CS+ for CC V8.07.00 from Renesas Electronics Corp.
C compiler (CS+)	CC-RL V1.11 from Renesas Electronics Corp.
Integrated development environment (e ² studio)	e ² studio 2022-01 (22.01.0) from Renesas Electronics Corp.
C compiler (e ² studio)	CC-RL V1.11 from Renesas Electronics Corp.
Integrated development environment (IAR)	IAR Embedded Workbench for Renesas RL78 v4.21.1 from IAR Systems
C compiler (IAR)	IAR Systems
Smart Configurator	V.1.2.0
Board support package (r_bsp)	V.1.13
Emulator	E2 Emulator Lite
Board	RL78/G23 Fast Prototyping Board (RTK7RLG230CLG000BJ)

3. Hardware

3.1 Example of Hardware Configuration

Figure 3-1 shows an example of the hardware configuration in this application.

Figure 3-1 Hardware Configuration



Caution 1. This simplified circuit diagram was created to show an overview of connections only.

When actually designing your circuit, make sure the design includes sufficient pin processing and meets electrical characteristic requirements. (Connect each input-only port to V_{DD} or V_{SS} through a resistor.)

Caution 2. Connect the EV_{SS} pin to V_{SS} and the EV_{DD} pin to V_{DD} .

Caution 3. V_{DD} must be held at not lower than the reset release voltage (V_{LVD0}) that is specified as LVD.

3.2 Used Pins

Table 3-1 shows list of used pins and assigned functions.

Table 3-1 List of Pins and Functions

Pin name	Input/Output	Function
P53	Output	LED1 lights (Low Active)
P31	Input	Slave select (SS) (Low Active)
P10	Input	Serial clock
P11	Input	Serial data

Caution. In this application note, only the used pins are processed. When actually designing your circuit, make sure the design includes sufficient pin processing and meets electrical characteristic requirements.

4. Software

4.1 Overview of the sample program

This sample code does not perform the send processing, only the receive processing. P31 is used as the slave selection (\overline{SS}) pin and the SAU operates in CSI slave receive mode.

- (1) Initializes CSI00.
- (2) Prepares to receive with CSI00 (set storage area) and enable interrupts.
- (3) Waits for reception completion interrupt.
- (4) After the reception completion interrupt occurs, reads the received data and store it in the storage area.
- (5) Turns on LED1

Figure 4-1 shows the system configuration of the sample code, and Figure 4-2 shows the timing chart. Select P31 as the ELCL input signal and SCK00 as the ELCL output signal.

Figure 4-1 System configuration of the sample code

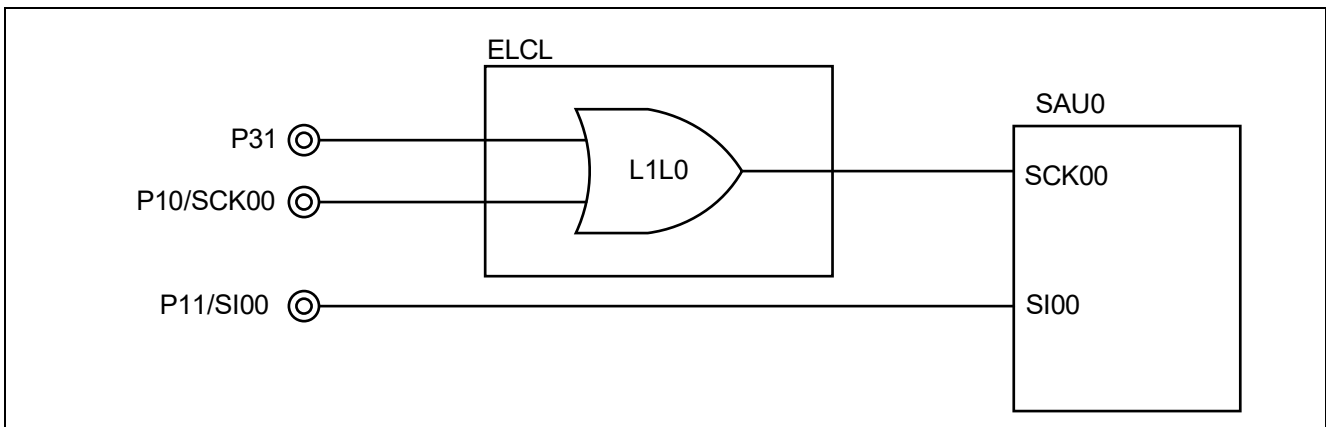
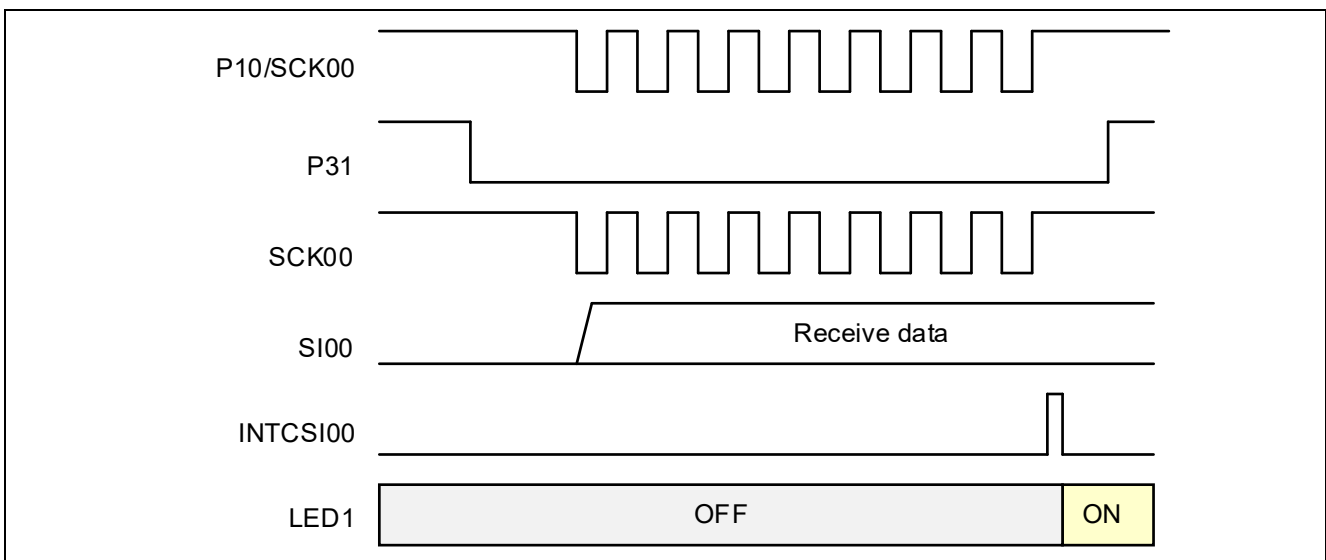


Figure 4-2 Timing chart of the sample code



4.2 Folder Configuration

Table 4-1 shows folder configuration of source file and header files using by sample code except the files generated by integrated development environment and the files in the bsp environment.

Table 4-1 Folder configuration

Folder/File configuration	Outline	Created by Smart configurator
¥r01an5614_elcl_ss<DIR> ^{Note 3}	Root folder of this sample code	
¥src<DIR>	Folder for program source	
main.c	Sample code source file	
¥smc_gen<DIR>	Folder created by Smart Configurator	√
¥Config_CSI00<DIR>	Folder for CSI00 program	√
Config_CSI00.c	Source file for CSI00	√
Config_CSI00.h	Header file for CSI00	√
Config_CSI00_user.c	Interrupt source file for CSI00	√ ^{Note 2}
¥Config_SlaveSelectPinFunction<DIR>	Folder for ELCL program	√
Config_SlaveSelectPinFunction.c	Source file for ELCL	√
Config_SlaveSelectPinFunction.h	Header file for ELCL	√
Config_SlaveSelectPinFunction_user.c	Interrupt source file for ELCL	√
¥Config_PORT<DIR>	Folder for PORT program	√
Config_PORT.c	Source file for PORT	√
Config_PORT.h	Header file for PORT	√
Config_PORT_user.c	Interrupt source file for PORT	√ ^{Note 1}
¥general<DIR>	Folder for initialize or common program	√
¥r_bsp<DIR>	Folder for BSP program	√
¥r_config<DIR>	Folder for program	√

Note. <DIR> means directory.

Note 1. Not used in this sample code.

Note 2. Added the interrupt handling routine to the file generated by the Smart Configurator.

Note 3. The IAR version of the sample code contains r01an5614_elcl_ss.ipcf. For the ipcf file, refer to "RL78 Smart Configurator User Guide: IAR (R20AN0581)".

4.3 Option Byte Settings

Table 4-2 shows the option byte settings.

Table 4-2 Option Byte Settings

Address	Setting Value	Contents
000C0H/040C0H	1110 1111B (EFH)	Operation of Watchdog timer is stopped (counting is stopped after reset)
000C1H/040C1H	1111 1110B (FEH)	LVD0 operating mode: reset mode Detection voltage: Rising edge 1.90V Falling edge 1.86V
000C2H/040C2H	1110 1000B (E8H)	Flash operating mode: HS mode High-speed on-chip oscillator clock: 32MHz
000C3H/040C3H	1000 0101B (85H)	On-chip debugging is enabled

4.4 Constants

Table 4-3 shows the constants that are used in this sample code.

Table 4-3 Constants used in the sample code

Constant Name	Setting Value	Contents	File
LED1	P5_bit.no3	P53	Config_CSI00_user.c
LED_ON	0	Setting value for turning on the LED	Config_CSI00_user.c
BUFFER_SIZE	5	Receive buffer size	main.c

4.5 Variables

Global variables are not used in this sample code.

4.6 Functions

Table 4-4 shows the functions used in the sample code. However, the unchanged functions generated by the Smart Configurator are excluded.

Table 4-4 Functions

Function name	Outline	Source file
main	Main process	main.c
r_Config_CSI00_callback_receivee nd	CSI00 reception complete callback process	Config_CSI00_user.c

4.7 Function Specifications

This part describes function specifications of the sample code.

[Function name] main

Outline	Main process
Header	r_smc_entry.h
Declaration	void main (void);
Description	This function initializes the ELCL, sets the receive area, and sets the interrupt.
Arguments	None
Return value	None
Remarks	None

[Function name] r_Config_CSI00_callback_receiveend

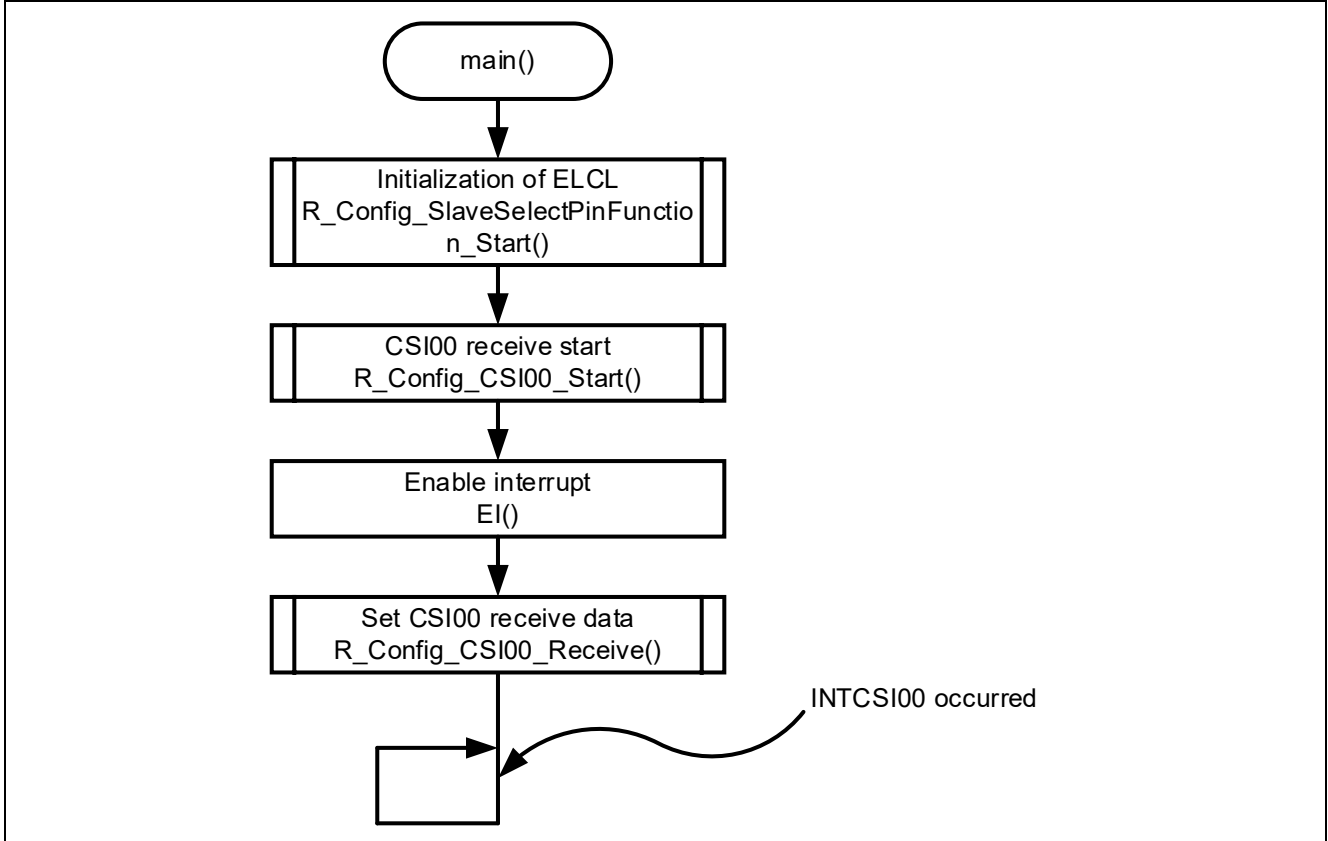
Outline	CSI00 reception complete callback process
Header	r_cg_macrodriver.h, r_cg_userdefine.h, Config_CSI00.h
Declaration	static void r_Config_CSI00_callback_receiveend (void);
Description	This function lights LED1 after reception is complete.
Arguments	None
Return value	None
Remarks	None

4.8 Flow Charts

4.8.1 Main Process

Figure 4-3 shows flowchart of the main process.

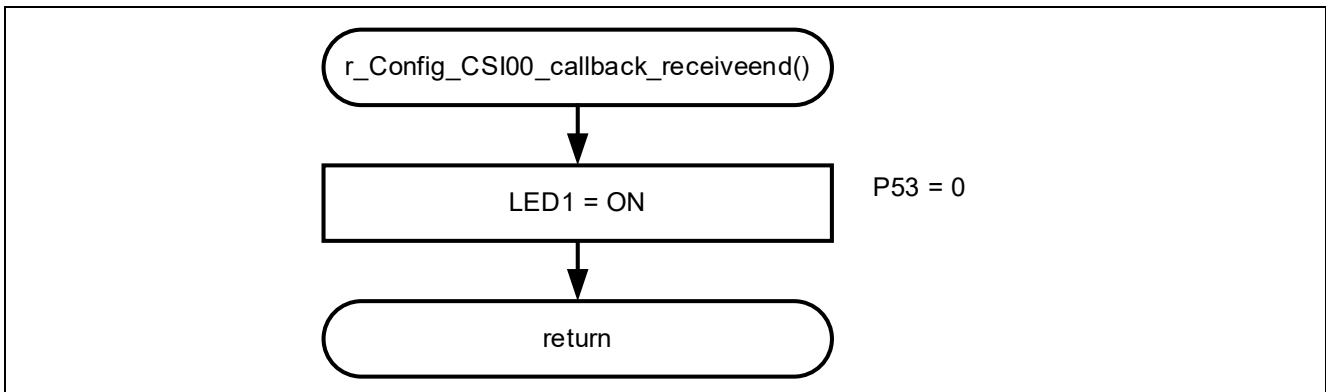
Figure 4-3 Main process



4.8.2 CSI00 reception complete callback process

Figure 4-4 shows flowchart of CSI00 reception complete callback process.

Figure 4-4 CSI00 reception complete callback process



5. Application example

In addition to the sample code, this application note contains the following Smart Configurator configuration files.

r01an5614_elcl_ss.scfg

The following is a description of the file and examples of settings and notes for use.

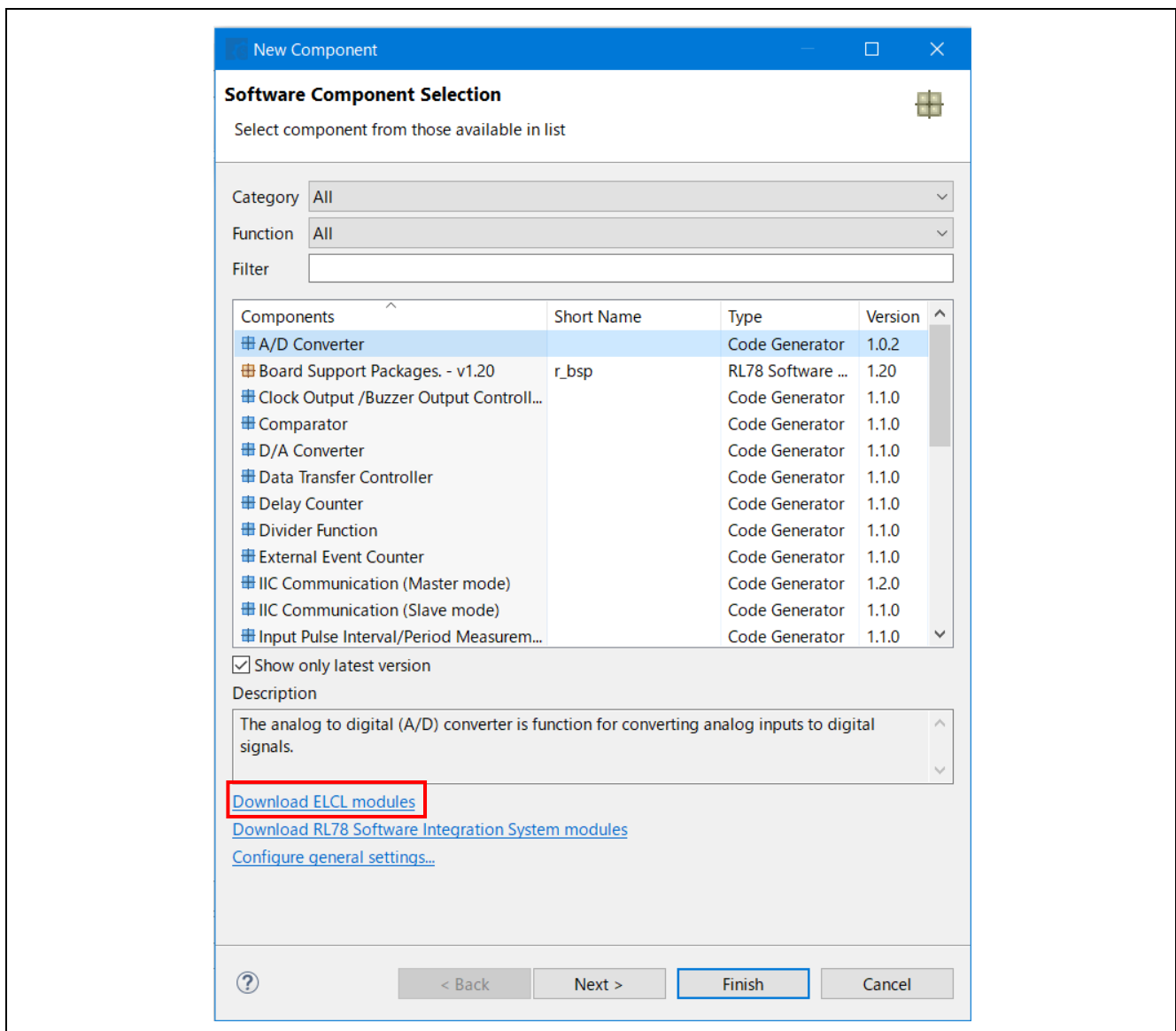
5.1 Setting up the ELCL components

To use the ELCL component, you need to install the ELCL content file.

The procedure is shown below.

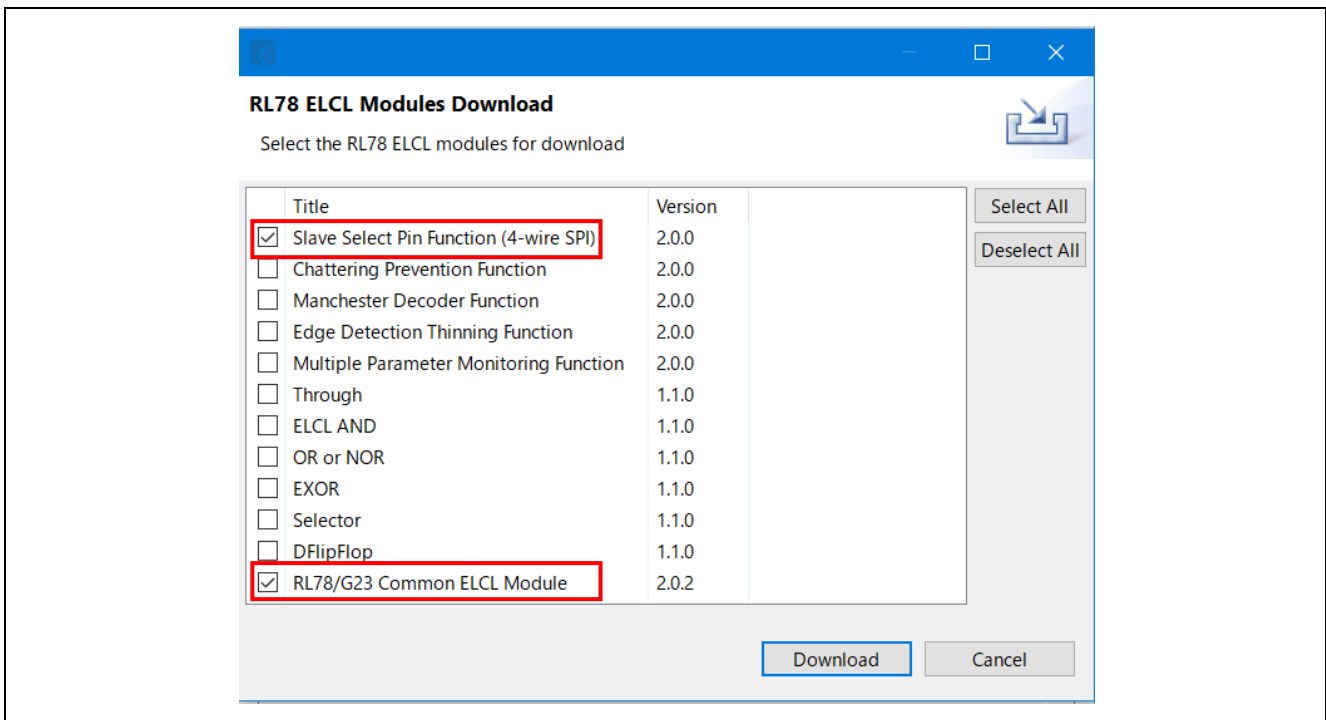
1. Start the Smart Configurator.
2. Click on the "Components" tag, and then click "Add component".
3. When the "New Component" window shown in Figure 5-1 opens, click on "Download ELCL modules".

Figure 5-1 Add component



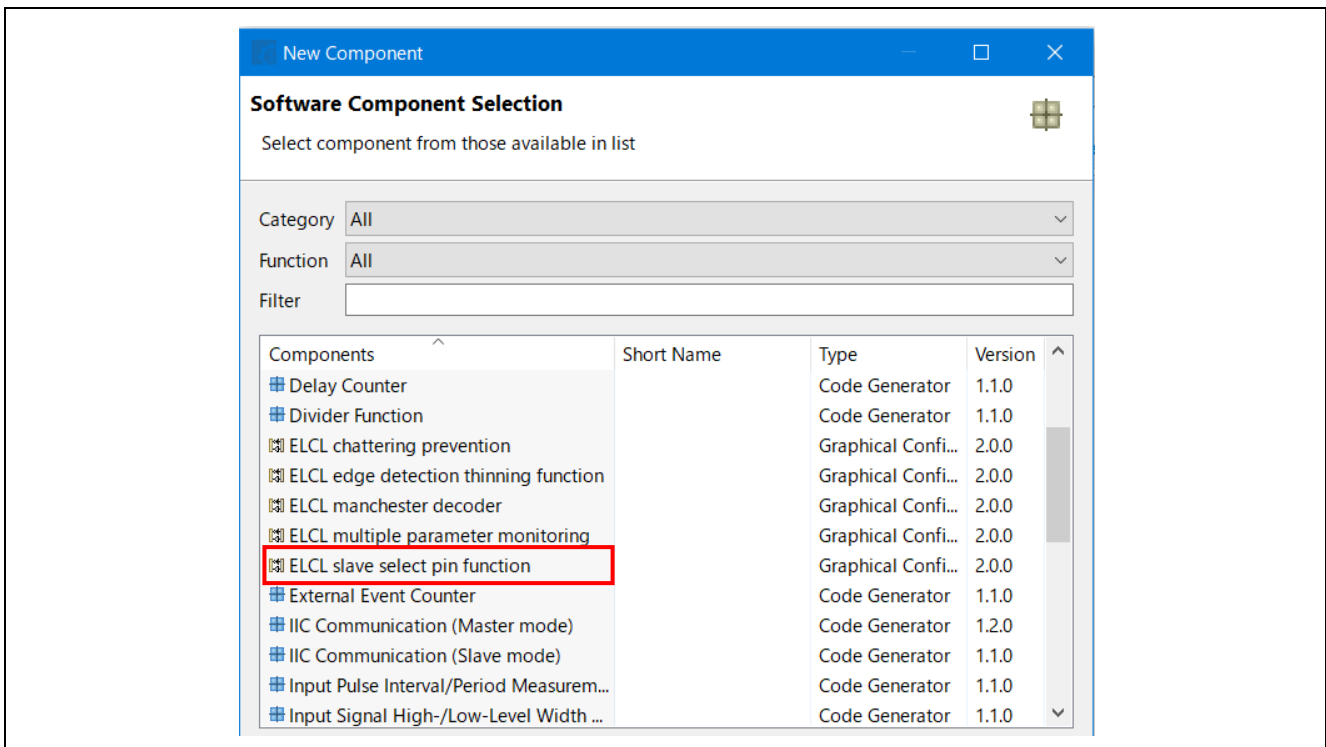
4. Select "Slave Select Pin Function (4-wire SPI)" and download it. Please download the common setting file "RL78/G23 Common ELCL Module" as well.

Figure 5-2 Download the module



5. After the download is complete, make sure that "ELCL slave select pin function " is available for selection.

Figure 5-3 Select the module



5.2 r01an5614_elcl_ss.scfg

This is the Smart Configurator configuration file used in the sample code. It contains all the features configured in the Smart Configurator. The sample code settings are as follows.

Table 5-1 Parameters of Smart Configurator

Tag name	Component	Contents
Clocks	-	Operation mod: High-speed main mode 2.4 (V)~5.5 (V) EV _{DD} setting: $1.8V \leq EV_{DD0} < 5.5V$ High-speed on-chip oscillator: 32MHz f _{IHP} : 32MHz f _{CLK} : 32MHz (High-speed on-chip oscillator) f _{SXP} : 32.768kHz (Low-speed on-chip oscillator)
System	-	On-chip debug operation setting: Use emulator Emulator setting: E2 Emulator Lite Pseudo-RRM/DMM function setting: Used Start/Stop function setting: Unused Trace function setting: Used Security ID setting: Use security ID Security ID : 0x00000000000000000000 Security ID authentication failure setting: Do not erase flash memory data
Components	r_bsp	Start up select : Enable (use BSP startup) Control of invalid memory access detection : Disable RAM guard space (GRAM0-1) : Disabled Guard of control registers of port function (GPORT) : Disabled Guard of registers of interrupt function (GINT) : Disabled Guard of control registers of clock control function, voltage detector, and RAM parity error detection function (GCSC) : Disabled Data flash access control (DFLEN) : Disables Initialization of peripheral functions by Code Generator/Smart Configurator : Enable API functions disable : Enable Parameter check enable : Enable Setting for starting the high-speed on-chip oscillator at the times of release from STOP mode and of transitions to SNOOZE mode : High-speed Enable user warm start callback (PRE) : Unused Enable user warm start callback (POST) : Unused Watchdog Timer refresh enable : Unused
	Config_LVDD0	Operation mode setting: Reset mode Voltage detection setting: Reset generation level (V _{LVDD0}): 1.86 (V)

Table 5-2 Parameters of Smart Configurator

Tag name	Component	Contents
Components	Config_CSI00	Components: SPI (CSI) communication Operation mode: Reception Resource: CSI00 Transfer clock mode: External clock (slave) Transfer direction setting: Single transfer mode Data length setting: 8 bits Transfer direction setting: MSB Specification of data timing: Type 1 Interrupt setting: Level 3 Callback function setting: Reception end
	Config_SlaveSelect PinFunction	Components : ELCL slave select pin function Input signal selector : P31 Event controller (link processor) : L1
	Config_PORT	Components: Port Port selection: PORT5 P53: Out (Output 1)

5.2.1 Clocks

Set the clock used in the sample code.

5.2.2 System

Set the on-chip debug of the sample code.

"Control of on-chip debug operation" and "Security ID authentication failure setting" affect "On-chip debugging is enabled" in "Table 4-2 Option Byte Settings". Note that changing the settings.

5.2.3 r_bsp

Set the startup of the sample code.

5.2.4 Config_LVD0

Set the power management of the sample code.

Affects "Setting of LVD0" in "Table 4-2 Option Byte Settings". Note that changing the settings.

5.2.5 Config_CSI00

Initialize the CSI00 in the sample code.

CSI00 can be used with the following terminal combinations. The sample code uses "Combination A". The component "ELCL slave selection pin function" supports only "Combination A", so do not use "Combination B".

Multiple function	Combination A	Combination B
SCK00	P10	P55
SI00	P11	P16
SO00	P12	P17

5.2.6 Config_SlaveSelectPinFunction

Initialize the ELCL in the sample code.

In the sample code, P31 is selected in \overline{SS} and L1 is selected in the logic cell. since CSI00 is used, CSI00 must be configured.

\overline{SS} and logic cells can be changed to other settings. See Section 5.3 Component "ELCL slave select pin function" for details.

5.2.7 Config_PORT

Set the port of the sample code.

In the sample code, P53 is used to control LED1.

5.3 Component "ELCL slave select pin function"

Figure 5-4 shows the component "ELCL slave select pin function" and Table 5-3 shows the options for this component.

Figure 5-4 Component "ELCL slave select pin function"

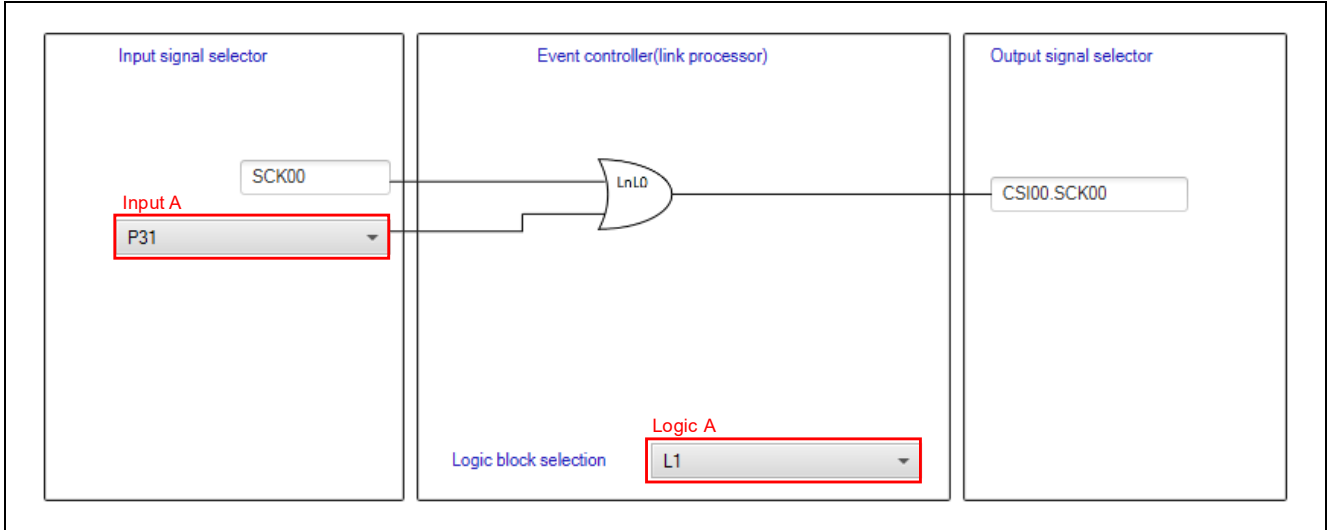


Table 5-3 Choices of component "ELCL Slave Select Pin Function"

Item	Choices	Description
Input A	P01	Select the pin for the SS function
	P31	
	P50	
	P51	
	P137	
Logic A	L1	Select a logical cell block
	L2	
	L3	

5.3.1 Setting the ELCL Register

Table 5-4 to Table 5-6 show the initial settings of the ELCL register in the sample code, and Figure 5-5 to Figure 5-7 show the ELCL configuration at that time. Refer to Figure 4-1 for the overall ELCL configuration.

Table 5-4 ELCL register settings (Inputs)

Register Symbol	Register Name	Setting	Description
ELISEL4	Input signal select register 4	0FH	Input pin P10/SCK00/SCL00 is selected
ELISEL5	Input signal select register 5	15H	Input pin P31 is selected

Figure 5-5 Setting of ELCL input

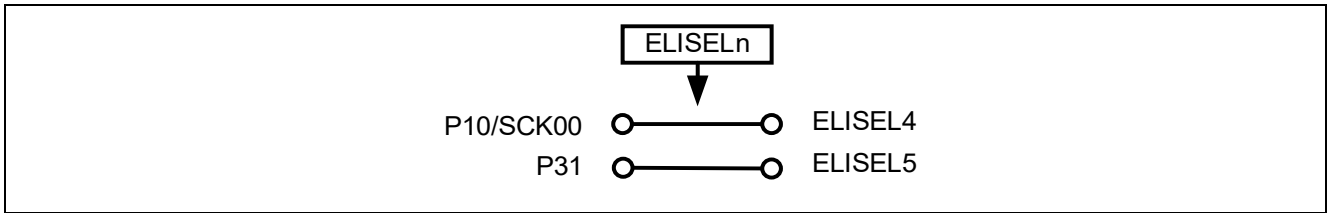


Table 5-5 ELCL register settings (Logic cell block L1)

Register Symbol	Register Name	Setting	Description
ELL1SEL0	Event link L1 signal select register 0	05H	Select the signal selected by ELISEL4 as the link target of L1
ELL1SEL1	Event link L1 signal select register 1	06H	Select the signal selected by ELISEL5 as the link target of L1
ELL1LNK0	Event link L1 output select register 0	01H	Link target selected by ELL1SEL0 to input 0 of logic cell 0 in logic cell block L1
ELL1LNK1	Event link L1 output select register 1	02H	Link target selected by ELL1SEL1 to input 1 of logic cell 0 in logic cell block L1
ELL1CTL	Logic cell block L1 control register	02H	Logic cell 0 selects OR circuit

Figure 5-6 Setting of logic cells L1

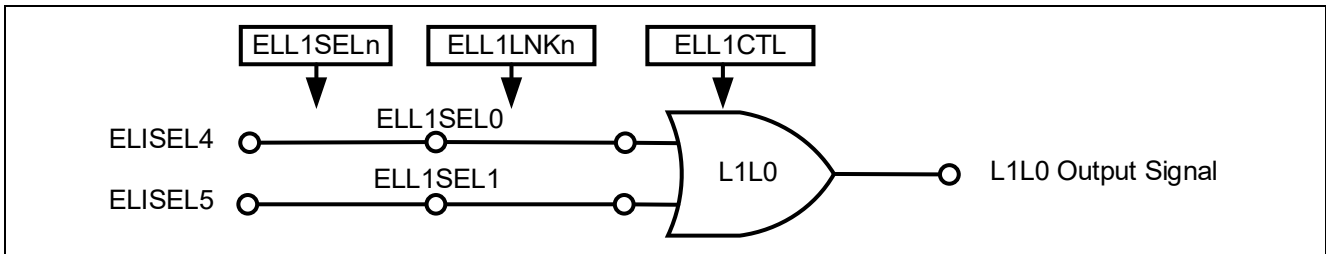
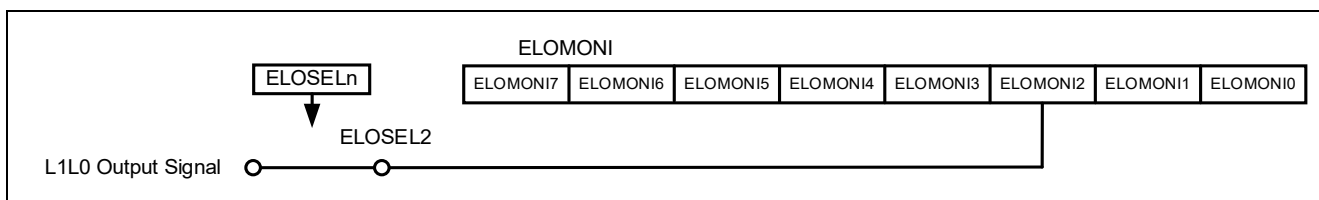


Table 5-6 ELCL register settings (Output)

Register Symbol	Register Name	Setting	Description
ELOSEL2	Output signal select register 2	01H	Select the output signal [0] from logic cell block L1.

Figure 5-7 Settings of ELCL output



6. Sample Code

Sample code can be downloaded from the Renesas Electronics website.

7. Reference

RL78/G23 User's Manual: Hardware (R01UH0896E)

RL78 Family User's Manual: Software (R01US0015E)

RL78 Smart Configurator User's Guide : CS+ (R20AN0580E)

RL78 Smart Configurator User's Guide : e² studio (R20AN0579E)

RL78 Smart Configurator User's Guide : IAREW (R20AN0581E)

(The latest version can be downloaded from the Renesas Electronics website.)

Technical Update / Technical News

(The latest version can be downloaded from the Renesas Electronics website.)

All trademarks and registered trademarks are the property of their respective owners.

Revision History

Rev.	Date	Description	
		Page	Summary
1.00	Apr.13.21	-	First edition
2.00	Mar.24.22	4	Table 2-1 Operation Confirmation Conditions Operating voltage Rising edge TYP.1.875V -> 1.90V Falling edge TYP.1.835V -> 1.86V
		4	Updated tool version Table 2-1 Operation Confirmation Conditions Integrated development environment (CS+) : E8.05.00f -> V8.07.00 C compiler (CS+) : V1.09.00 -> V1.11 Integrated development environment (e ² studio) : 2021-01 (21.01.0) -> 2022-01 (22.1.0) C compiler (e ² studio) : V1.09.00 -> V1.11 Integrated development environment (IAR) : V4.20.1 -> V4.21.1 Smart Configurator : V.1.0.0 -> V.1.2.0 Board support package (r_bsp) : V.1.0.0 -> V.1.13
		6	In this sample code, P31 is used as the slave selection (SS) pin and the SAU operates in CSI slave receive mode. -> This sample code does not perform the send processing, only the receive processing. P31 is used as the slave selection (SS) pin and the SAU operates in CSI slave receive mode.
		7	Updated the folder structure in Table 4-1 due to the sample program update Added Note 3 due to the update of the IAR version sample code.
		7,16,17	Updated the component name to the latest. Config_ELCLSlaveSelectPinFunction -> Config_SlaveSelectPinFunction
		8	Table 4-2 Option Byte Settings Detection voltage Rising edge TYP.1.875V -> 1.90V Falling edge TYP.1.835V -> 1.86V
		10	Changed due to IAR version sample code update 4.7 Function Specifications [Function name] main, Header e ² studio, CS+ : r_smc_entry.h IAR : ior7f100g.h, ior7f100g_ext.h, r_cg_macrodriver.h, Config_SMS.h, Config_ITL000_ITL001.h -> r_smc_entry.h

Rev.	Date	Description	
		Page	Summary
2.00	Mar.24.22	11, 13-14, 18	Updated some figures as follows due to the component "ELCL slave select pin function" update. Figure 4-3 Main process Function name: R_Config_ELCL_Create () -> R_Config_SlaveSelectPinFunction_Start () Figure 5-1 Add components Figure 5-2 Download the module Figure 5-3 Select the module Figure 5-4 Component "ELCL slave select pin function" Figure update
		15	Table 5-1 Parameters of Smart Configurator Clocks : f _{SXL} -> f _{SXP} Components: Config_LVD0 Reset generation level (V _{LVD0}): 1.835 (V) -> 1.86 (V)
		16	Table 5-2 Parameters of Smart Configurator Components: CSI Interface -> SPI (CSI) communication
		16,17,18	Updated the spelling of the component names to the latest. ELCL Slave Select Pin Function -> ELCL slave select pin function
		17	The following combinations of CSI00 terminals can be used. The sample code uses "Combination A". It can be changed to "Combination B" in the "Pin Functions" of the Smart Configurator. -> CSI00 can be used with the following terminal combinations. The sample code uses "Combination A". The component "ELCL slave selection pin function" supports only "Combination A", so do not use "Combination B".
		18	Updated the contents in Table5-3 with the component "ELCL slave select pin function" update. Table 5-3 Choices of component "ELCL Slave Select Pin Function" Added options for Input A and Logic A
		22	Added of RL78 Smart Configurator User's Guide 7. Reference RL78 Smart Configurator User's Guide: CS+ (R20AN0580E) RL78 Smart Configurator User's Guide: e ² studio (R20AN0579E) RL78 Smart Configurator User's Guide: IAREW (R20AN0581E)

General Precautions in the Handling of Microprocessing Unit and Microcontroller Unit Products

The following usage notes are applicable to all Microprocessing unit and Microcontroller unit products from Renesas. For detailed usage notes on the products covered by this document, refer to the relevant sections of the document as well as any technical updates that have been issued for the products.

1. Precaution against Electrostatic Discharge (ESD)

A strong electrical field, when exposed to a CMOS device, can cause destruction of the gate oxide and ultimately degrade the device operation. Steps must be taken to stop the generation of static electricity as much as possible, and quickly dissipate it when it occurs. Environmental control must be adequate. When it is dry, a humidifier should be used. This is recommended to avoid using insulators that can easily build up static electricity.

Semiconductor devices must be stored and transported in an anti-static container, static shielding bag or conductive material. All test and measurement tools including work benches and floors must be grounded. The operator must also be grounded using a wrist strap. Semiconductor devices must not be touched with bare hands. Similar precautions must be taken for printed circuit boards with mounted semiconductor devices.

2. Processing at power-on

The state of the product is undefined at the time when power is supplied. The states of internal circuits in the LSI are indeterminate and the states of register settings and pins are undefined at the time when power is supplied. In a finished product where the reset signal is applied to the external reset pin, the states of pins are not guaranteed from the time when power is supplied until the reset process is completed. In a similar way, the states of pins in a product that is reset by an on-chip power-on reset function are not guaranteed from the time when power is supplied until the power reaches the level at which resetting is specified.

3. Input of signal during power-off state

Do not input signals or an I/O pull-up power supply while the device is powered off. The current injection that results from input of such a signal or I/O pull-up power supply may cause malfunction and the abnormal current that passes in the device at this time may cause degradation of internal elements. Follow the guideline for input signal during power-off state as described in your product documentation.

4. Handling of unused pins

Handle unused pins in accordance with the directions given under handling of unused pins in the manual. The input pins of CMOS products are generally in the high-impedance state. In operation with an unused pin in the open-circuit state, extra electromagnetic noise is induced in the vicinity of the LSI, an associated shoot-through current flows internally, and malfunctions occur due to the false recognition of the pin state as an input signal become possible.

5. Clock signals

After applying a reset, only release the reset line after the operating clock signal becomes stable. When switching the clock signal during program execution, wait until the target clock signal is stabilized. When the clock signal is generated with an external resonator or from an external oscillator during a reset, ensure that the reset line is only released after full stabilization of the clock signal. Additionally, when switching to a clock signal produced with an external resonator or by an external oscillator while program execution is in progress, wait until the target clock signal is stable.

6. Voltage application waveform at input pin

Waveform distortion due to input noise or a reflected wave may cause malfunction. If the input of the CMOS device stays in the area between V_{IL} (Max.) and V_{IH} (Min.) due to noise, for example, the device may malfunction. Take care to prevent chattering noise from entering the device when the input level is fixed, and also in the transition period when the input level passes through the area between V_{IL} (Max.) and V_{IH} (Min.).

7. Prohibition of access to reserved addresses

Access to reserved addresses is prohibited. The reserved addresses are provided for possible future expansion of functions. Do not access these addresses as the correct operation of the LSI is not guaranteed.

8. Differences between products

Before changing from one product to another, for example to a product with a different part number, confirm that the change will not lead to problems. The characteristics of a microprocessing unit or microcontroller unit products in the same group but having a different part number might differ in terms of internal memory capacity, layout pattern, and other factors, which can affect the ranges of electrical characteristics, such as characteristic values, operating margins, immunity to noise, and amount of radiated noise. When changing to a product with a different part number, implement a system-evaluation test for the given product.

Notice

1. Descriptions of circuits, software and other related information in this document are provided only to illustrate the operation of semiconductor products and application examples. You are fully responsible for the incorporation or any other use of the circuits, software, and information in the design of your product or system. Renesas Electronics disclaims any and all liability for any losses and damages incurred by you or third parties arising from the use of these circuits, software, or information.
2. Renesas Electronics hereby expressly disclaims any warranties against and liability for infringement or any other claims involving patents, copyrights, or other intellectual property rights of third parties, by or arising from the use of Renesas Electronics products or technical information described in this document, including but not limited to, the product data, drawings, charts, programs, algorithms, and application examples.
3. No license, express, implied or otherwise, is granted hereby under any patents, copyrights or other intellectual property rights of Renesas Electronics or others.
4. You shall be responsible for determining what licenses are required from any third parties, and obtaining such licenses for the lawful import, export, manufacture, sales, utilization, distribution or other disposal of any products incorporating Renesas Electronics products, if required.
5. You shall not alter, modify, copy, or reverse engineer any Renesas Electronics product, whether in whole or in part. Renesas Electronics disclaims any and all liability for any losses or damages incurred by you or third parties arising from such alteration, modification, copying or reverse engineering.
6. Renesas Electronics products are classified according to the following two quality grades: "Standard" and "High Quality". The intended applications for each Renesas Electronics product depends on the product's quality grade, as indicated below.

"Standard": Computers; office equipment; communications equipment; test and measurement equipment; audio and visual equipment; home electronic appliances; machine tools; personal electronic equipment; industrial robots; etc.

"High Quality": Transportation equipment (automobiles, trains, ships, etc.); traffic control (traffic lights); large-scale communication equipment; key financial terminal systems; safety control equipment; etc.

Unless expressly designated as a high reliability product or a product for harsh environments in a Renesas Electronics data sheet or other Renesas Electronics document, Renesas Electronics products are not intended or authorized for use in products or systems that may pose a direct threat to human life or bodily injury (artificial life support devices or systems; surgical implantations; etc.), or may cause serious property damage (space system; undersea repeaters; nuclear power control systems; aircraft control systems; key plant systems; military equipment; etc.). Renesas Electronics disclaims any and all liability for any damages or losses incurred by you or any third parties arising from the use of any Renesas Electronics product that is inconsistent with any Renesas Electronics data sheet, user's manual or other Renesas Electronics document.
7. No semiconductor product is absolutely secure. Notwithstanding any security measures or features that may be implemented in Renesas Electronics hardware or software products, Renesas Electronics shall have absolutely no liability arising out of any vulnerability or security breach, including but not limited to any unauthorized access to or use of a Renesas Electronics product or a system that uses a Renesas Electronics product. RENESAS ELECTRONICS DOES NOT WARRANT OR GUARANTEE THAT RENESAS ELECTRONICS PRODUCTS, OR ANY SYSTEMS CREATED USING RENESAS ELECTRONICS PRODUCTS WILL BE INVULNERABLE OR FREE FROM CORRUPTION, ATTACK, VIRUSES, INTERFERENCE, HACKING, DATA LOSS OR THEFT, OR OTHER SECURITY INTRUSION ("Vulnerability Issues"). RENESAS ELECTRONICS DISCLAIMS ANY AND ALL RESPONSIBILITY OR LIABILITY ARISING FROM OR RELATED TO ANY VULNERABILITY ISSUES. FURTHERMORE, TO THE EXTENT PERMITTED BY APPLICABLE LAW, RENESAS ELECTRONICS DISCLAIMS ANY AND ALL WARRANTIES, EXPRESS OR IMPLIED, WITH RESPECT TO THIS DOCUMENT AND ANY RELATED OR ACCOMPANYING SOFTWARE OR HARDWARE, INCLUDING BUT NOT LIMITED TO THE IMPLIED WARRANTIES OF MERCHANTABILITY, OR FITNESS FOR A PARTICULAR PURPOSE.
8. When using Renesas Electronics products, refer to the latest product information (data sheets, user's manuals, application notes, "General Notes for Handling and Using Semiconductor Devices" in the reliability handbook, etc.), and ensure that usage conditions are within the ranges specified by Renesas Electronics with respect to maximum ratings, operating power supply voltage range, heat dissipation characteristics, installation, etc. Renesas Electronics disclaims any and all liability for any malfunctions, failure or accident arising out of the use of Renesas Electronics products outside of such specified ranges.
9. Although Renesas Electronics endeavors to improve the quality and reliability of Renesas Electronics products, semiconductor products have specific characteristics, such as the occurrence of failure at a certain rate and malfunctions under certain use conditions. Unless designated as a high reliability product or a product for harsh environments in a Renesas Electronics data sheet or other Renesas Electronics document, Renesas Electronics products are not subject to radiation resistance design. You are responsible for implementing safety measures to guard against the possibility of bodily injury, injury or damage caused by fire, and/or danger to the public in the event of a failure or malfunction of Renesas Electronics products, such as safety design for hardware and software, including but not limited to redundancy, fire control and malfunction prevention, appropriate treatment for aging degradation or any other appropriate measures. Because the evaluation of microcomputer software alone is very difficult and impractical, you are responsible for evaluating the safety of the final products or systems manufactured by you.
10. Please contact a Renesas Electronics sales office for details as to environmental matters such as the environmental compatibility of each Renesas Electronics product. You are responsible for carefully and sufficiently investigating applicable laws and regulations that regulate the inclusion or use of controlled substances, including without limitation, the EU RoHS Directive, and using Renesas Electronics products in compliance with all these applicable laws and regulations. Renesas Electronics disclaims any and all liability for damages or losses occurring as a result of your noncompliance with applicable laws and regulations.
11. Renesas Electronics products and technologies shall not be used for or incorporated into any products or systems whose manufacture, use, or sale is prohibited under any applicable domestic or foreign laws or regulations. You shall comply with any applicable export control laws and regulations promulgated and administered by the governments of any countries asserting jurisdiction over the parties or transactions.
12. It is the responsibility of the buyer or distributor of Renesas Electronics products, or any other party who distributes, disposes of, or otherwise sells or transfers the product to a third party, to notify such third party in advance of the contents and conditions set forth in this document.
13. This document shall not be reprinted, reproduced or duplicated in any form, in whole or in part, without prior written consent of Renesas Electronics.
14. Please contact a Renesas Electronics sales office if you have any questions regarding the information contained in this document or Renesas Electronics products.

(Note1) "Renesas Electronics" as used in this document means Renesas Electronics Corporation and also includes its directly or indirectly controlled subsidiaries.

(Note2) "Renesas Electronics product(s)" means any product developed or manufactured by or for Renesas Electronics.

(Rev.5.0-1 October 2020)

Corporate Headquarters

TOYOSU FORESIA, 3-2-24 Toyosu,
Koto-ku, Tokyo 135-0061, Japan
www.renesas.com

Trademarks

Renesas and the Renesas logo are trademarks of Renesas Electronics Corporation. All trademarks and registered trademarks are the property of their respective owners.

Contact information

For further information on a product, technology, the most up-to-date version of a document, or your nearest sales office, please visit:
www.renesas.com/contact/.