

## RL78/G12

R01AN1052EJ0201

Rev. 2.01

### Timer Array Unit (Interval Timer)

---

Sep. 2, 2015

#### Introduction

This application note describes the interval timer function of the timer array unit (TAU). This unit inverts the LED indication each time a timer interrupt occurs. Also, it changes the timer interrupt cycle time based on the number of times the switch is pressed.

#### Target Device

RL78/G12

When applying the sample program covered in this application note to another microcomputer, modify the program according to the specifications for the target microcomputer and conduct an extensive evaluation of the modified program.

## Contents

1. Specifications .....	3
2. Operation Check Conditions .....	5
3. Related Application Note .....	5
4. Description of the Hardware .....	6
4.1 Hardware Configuration Example .....	6
4.2 List of Pins to be Used .....	6
5. Description of the Software .....	7
5.1 Operation Outline .....	7
5.2 List of Option Byte Settings .....	8
5.3 List of Constants .....	8
5.4 List of Variables .....	8
5.5 List of Functions (Subroutines) .....	9
5.6 Function Specifications .....	9
5.7 Flowcharts .....	11
5.7.1 CPU Initialization Function .....	12
5.7.2 I/O Port Setup .....	13
5.7.3 Clock Generation Circuit Setup .....	14
5.7.4 Timer Array Unit Setup .....	15
5.7.5 INTP0 Initialization .....	22
5.7.6 Main Processing .....	23
5.7.7 TAU0 Channel 0 Startup .....	24
5.7.8 INTTM00 Interrupt Processing .....	26
5.7.9 LED Turn-On/Off Processing .....	27
5.7.10 INTP0 Interrupt Processing .....	28
6. Sample Code .....	30
7. Documents for Reference .....	30

## 1. Specifications

This application note shows example settings for using timer interrupts (INTTM00) from the interval timer and interrupts (INTP0) generated on pin input edge detection. The TAU inverts the LED indication each time a timer interrupt (INTTM00) occurs 250 times. Also, this unit changes the timer interrupt (INTTM00) cycle time based on the number of times the switch (SW) is pressed.

Table 1.1 lists the peripheral functions to be used and their uses. Figure 1.1 shows the outline of timer operation and its interrupts.

**Table 1.1 Peripheral Functions to be Used and their Uses**

Peripheral Function	Use
Timer array unit 0 (channel 0)	Time interval control for inversion of the P13 pin output (LED indication)
P13	Output port for LED indications
P137/INTP0	Switch input for changing the timer interrupt (INTTM00) cycle time

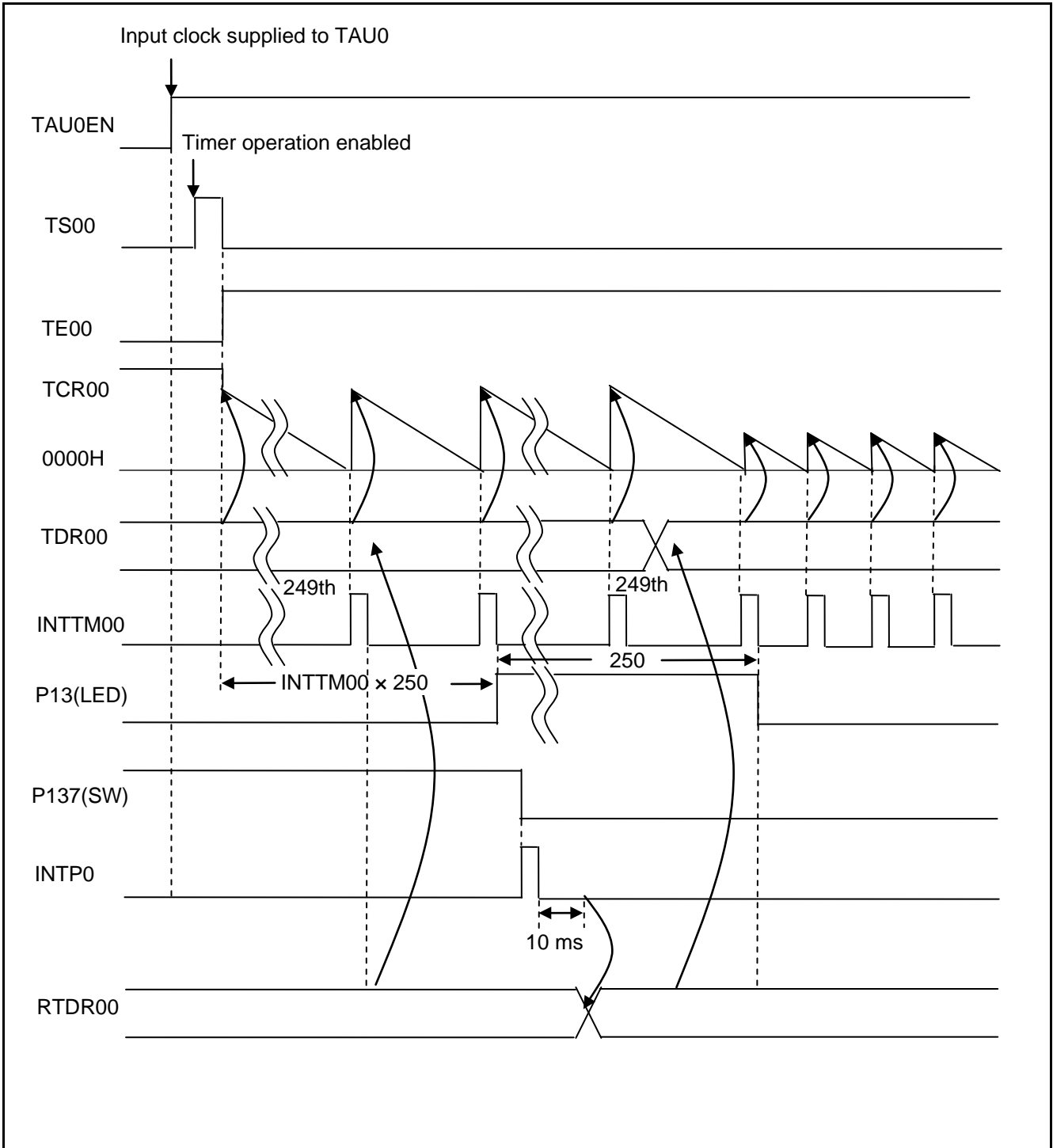


Figure 1.1 Outline of Timer Operation and Interrupts

## 2. Operation Check Conditions

The sample code contained in this application note has been checked under the conditions listed in the table below.

**Table 2.1 Operation Check Conditions**

Item	Description
Microcontroller used	RL78/G12 (R5F1026A)
Operating frequency	<ul style="list-style-type: none"> <li>High-speed on-chip oscillator (HOCO) clock: 24 MHz</li> <li>CPU/peripheral hardware clock: 24 MHz</li> </ul>
Operating voltage	5.0 V (Operation is possible over a voltage range of 2.9 to 5.5 V.) LVD operation ( $V_{LVI}$ ): Reset mode which uses 2.81 V (2.76 to 2.87 V)
Integrated development environment (CubeSuite+)	CubeSuite + V1.01.01 from Renesas Electronics Corp.
Assembler (CubeSuite+)	RA78K0R V1.50 from Renesas Electronics Corp.
Integrated development environment (e2studio)	e2studio V2.0.1.3 from Renesas Electronics Corp.
C compiler (e2studio)	KPIT GNURL78-ELF Toolchain V13.02 from Renesas Electronics Corp.
Integrated development environment (IAR)	IAR Embedded Workbench for Renesas RL78 V1.30.2
C compiler (IAR)	IAR C/C++ Compiler for Renesas RL78 V1.30.2
Board to be used	RL78/G12 target board (QB-R5F1026A-TB)

## 3. Related Application Note

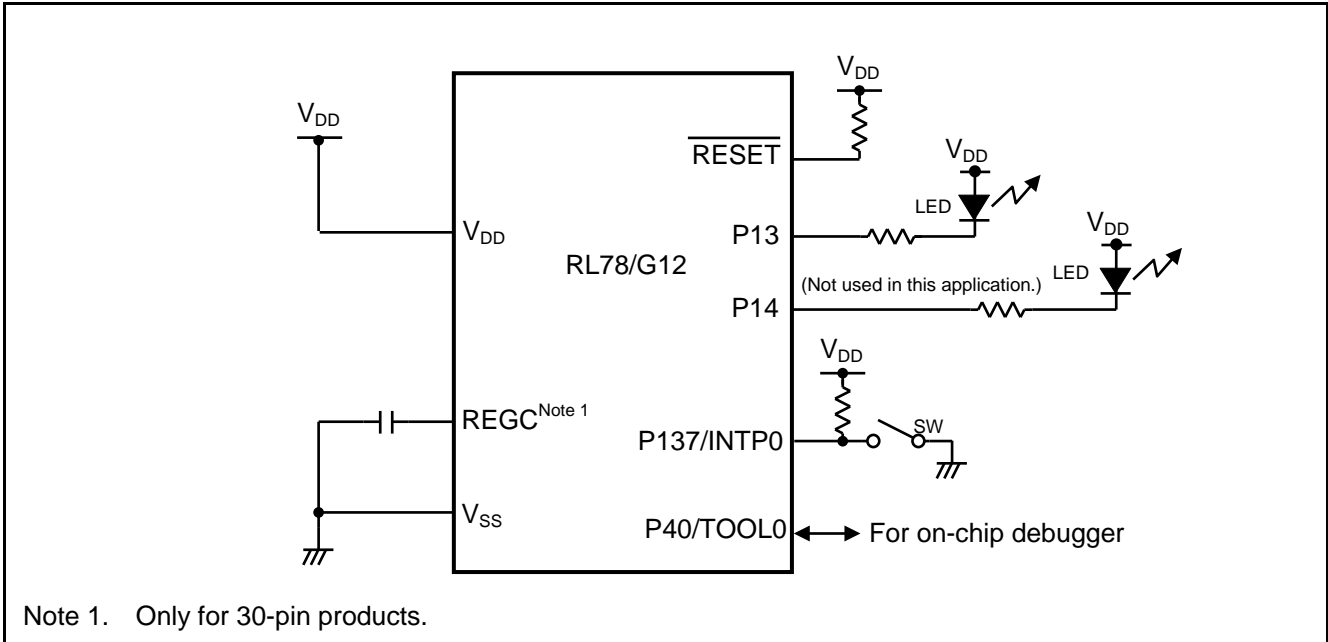
The application note that is related to this application note is listed below for reference.

- RL78/G12 Initialization (R01AN1030E) Application Note

## 4. Description of the Hardware

### 4.1 Hardware Configuration Example

Figure 4.1 shows an example of hardware configuration that is used for this application note.



**Figure 4.1 Hardware Configuration**

- Cautions:
1. The purpose of this circuit is only to provide the connection outline and the circuit is simplified accordingly. When designing and implementing an actual circuit, provide proper pin treatment and make sure that the hardware's electrical specifications are met (connect the input-only ports separately to  $V_{DD}$  or  $V_{SS}$  via a resistor).
  2.  $V_{DD}$  must be held at not lower than the reset release voltage ( $V_{LVI}$ ) that is specified as LVD.

### 4.2 List of Pins to be Used

Table 4.1 lists the pins to be used and their functions.

**Table 4.1 Pins to be Used and their Functions**

Pin Name	I/O	Description
P13	Output	Output port for LED indications
P137/INTP0	Input	Switch (SW) input pin (external interrupt request input pin)

## 5. Description of the Software

### 5.1 Operation Outline

This application note describes how to set up the interval timer function of TAU0.

This setup is followed by operation for counting the number of timer interrupts (INTTM00) generated by the interval timer. When the count reaches 249, the value of the interval timer is changed. Each time the count reaches 250, the LED indication is inverted. The timer interrupt (INTTM00) cycle time is changed according to the number of times the switch is pressed. The LED on/off cycle time is changed as follows.

500 ms → 250 ms → 125 ms → 62.5 ms → 31.25 ms → 500 ms → ...

(1) Initialize the TAU.

- Use the interval timer mode as the timer operation mode.
- Initialize timer data register 00 (TDR00) to 2 ms.
- Set the timer output enable register to disable operation.
- Use timer interrupts (INTTM00) from timer channel 0.

(2) Initialize the external edge detection interrupt.

- Select a falling edge as the valid edge for INTP0.
- Use INTP0 interrupts.

(3) Execute a HALT instruction to wait for timer interrupts (INTTM00).

(4) After the HALT mode is cancelled by a timer interrupt (INTTM00), the number of INTTM00 interrupts generated is counted.

(5) When the timer interrupt (INTTM00) count reaches 249, the value (RTDR00) in RAM for the timer data register is set in the timer data register (TDR00).

(6) When the timer interrupt (INTTM00) count reaches 250, the LED indication is inverted.

(7) INTP0 interrupt processing changes the switch input count (INTP0 interrupt count) and RTDR00 value.

## 5.2 List of Option Byte Settings

Table 5.1 summarizes the settings of the option bytes.

**Table 5.1 Option Byte Settings**

Address	Value	Description
000C0H	01101110B	Disables the watchdog timer. (Stops counting after the release from the reset state.)
000C1H	01111111B	LVD reset mode, 2.81 V (2.76 to 2.87 V)
000C2H	11100000B	HS mode, HOCO: 24 MHz
000C3H	10000101B	Enables the on-chip debugger.

## 5.3 List of Constants

Table 5.2 lists the constants that are used in this sample program.

**Table 5.2 Constants for the Sample Program**

Constant	Setting	Description
INTERVAL	2h	Interval timer period (in milliseconds).
CCHNGLED	00001000B	LED blink data.
PERIOD	24000× INTERVAL	TM00 count value at 500 ms.
PERIOD2	PERIOD/2	TM00 count value at 250 ms.
PERIOD3	PERIOD/4	TM00 count value at 125 ms.
PERIOD4	PERIOD/8	TM00 count value at 62.5 ms.
PERIOD5	PERIOD/16	TM00 count value at 31.25 ms.
TINTVL	(PERIOD-1) (PERIOD2-1) (PERIOD3-1) (PERIOD4-1) (PERIOD5-1)	TDR00 settings by number of times the switch is pressed.
T10MSWAIT	(5+1) (10+1) (20+1) (40+1) (80+1)	10 ms timer count values by number of times the switch is pressed.

## 5.4 List of Variables

Table 5.3 lists the global variables that are used by this sample program.

**Table 5.3 Global Variables**

Type	Variable Name	Contents	Function Used
8 bits	RSWCNT	Switch press counter.	IINTP0, main
8 bits	RTMCNT	Timer interrupt occurrence counter.	SINTTM00, main
16 bits	RTDR00	Value which is set in TDR00 each time the timer interrupt count reaches 250.	SINTTM00, IINTP0, main



## 5.5 List of Functions (Subroutines)

Table 5.4 lists the functions (subroutines) that are used by this sample program.

**Table 5.4 List of Functions (Subroutines)**

Function Name	Outline
SSTARTINTV	Starts operation of TAU0 channel 0.
IINTTM00	Processes timer interrupts on TAU0 channel 0.
SINTTM00	Counts the number of INTTM00 interrupts generated. Inverts the LED indication each time the interrupt count reaches 250.
IINTP0	Processes INTP0 interrupts.

## 5.6 Function Specifications

This section describes the specifications for the functions that are used in the sample code.

---

### [Function Name] SSTARTINTV

---

<b>Synopsis</b>	TAU0 channel 0 operation start
<b>Explanation</b>	This function unmask TAU0 channel 0 interrupts and starts count operation.
<b>Argument</b>	None
<b>Return value</b>	None
<b>Remarks</b>	None

---

### [Function Name] IINTTM00

---

<b>Synopsis</b>	TAU0 channel 0 timer interrupt processing
<b>Explanation</b>	This function calls the function which will invert the LED indication.
<b>Argument</b>	None
<b>Return value</b>	None
<b>Remarks</b>	None

---

**[Function Name] SINTTM00**

---

<b>Synopsis</b>	LED turning on/off
<b>Explanation</b>	This function counts 250 timer interrupts (INTTM00) and then inverts the LED indication (for port latch inversion). Also, when the count reaches 249, this function changes the setting of TDR00 to the value specified in RTDR00.
<b>Argument</b>	None
<b>Return value</b>	None
<b>Remarks</b>	None

---

**[Function Name] IINTP0**

---

<b>Synopsis</b>	INTP0 interrupt enable
<b>Explanation</b>	This function processes INTP0 interrupts as they occur. It waits 10 ms and then scans P137 (SW input pin). When the switch is pressed, this function changes the RTD00 value.
<b>Argument</b>	None
<b>Return value</b>	None
<b>Remarks</b>	None

### 5.7 Flowcharts

Figure 5.1 shows the overall flowchart of the sample program described in this application note.

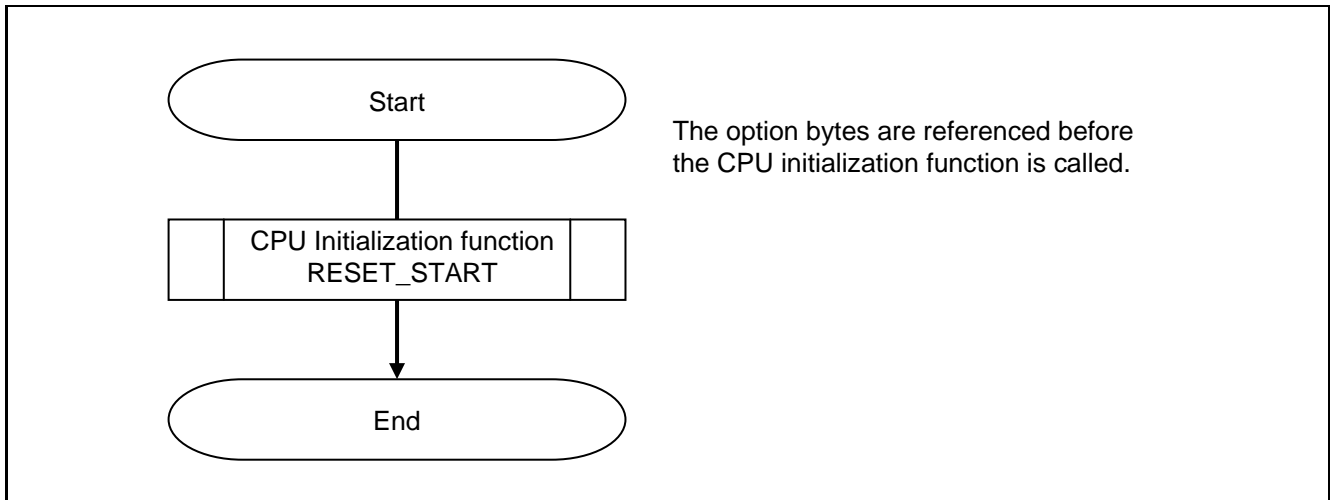


Figure 5.1 Overall Flowchart

5.7.1 CPU Initialization Function

Figure 5.2 shows the flowchart for the CPU initialization function.

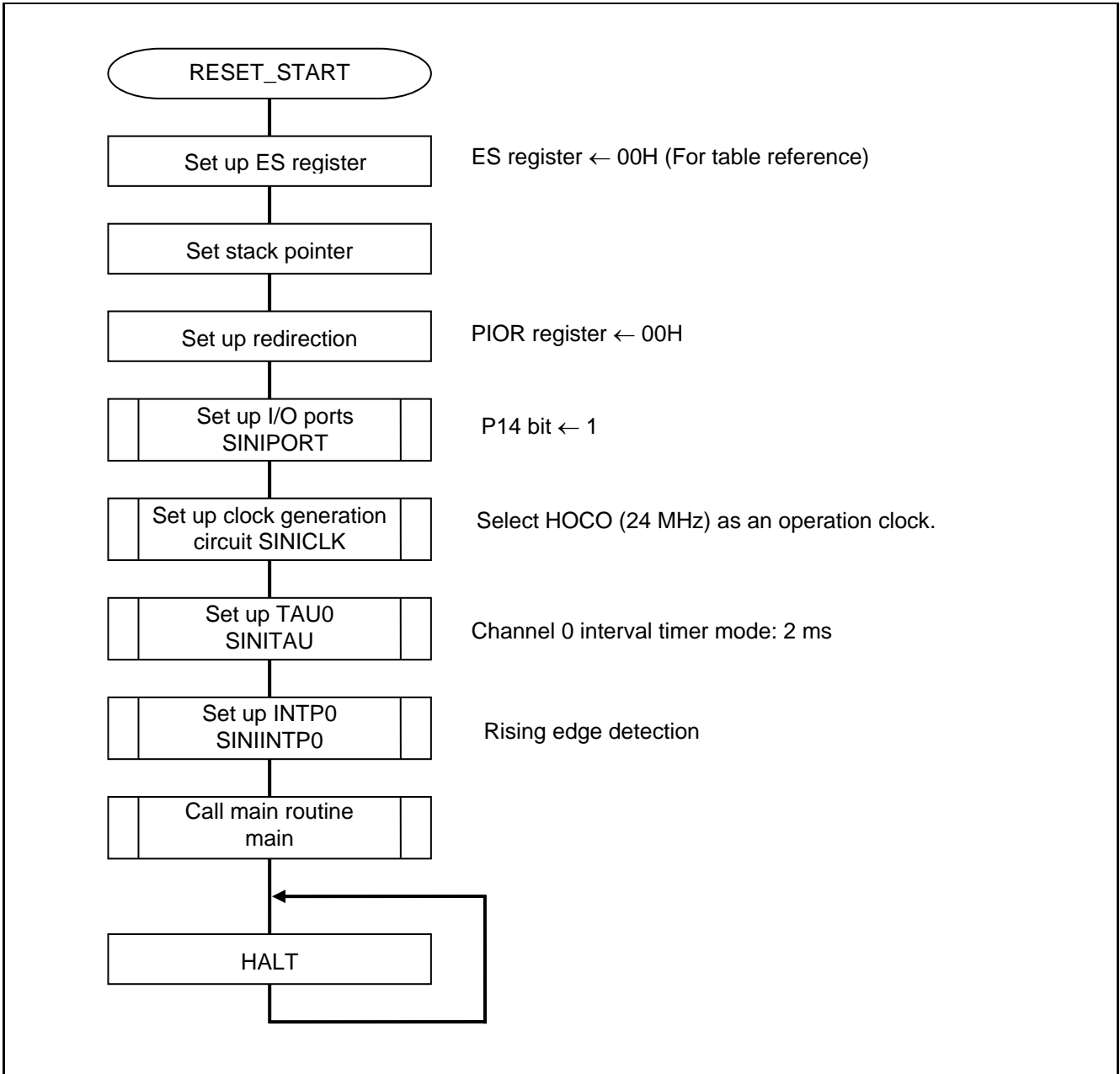


Figure 5.2 CPU Initialization Function

5.7.2 I/O Port Setup

Figure 5.3 shows the flowchart for I/O port setup.

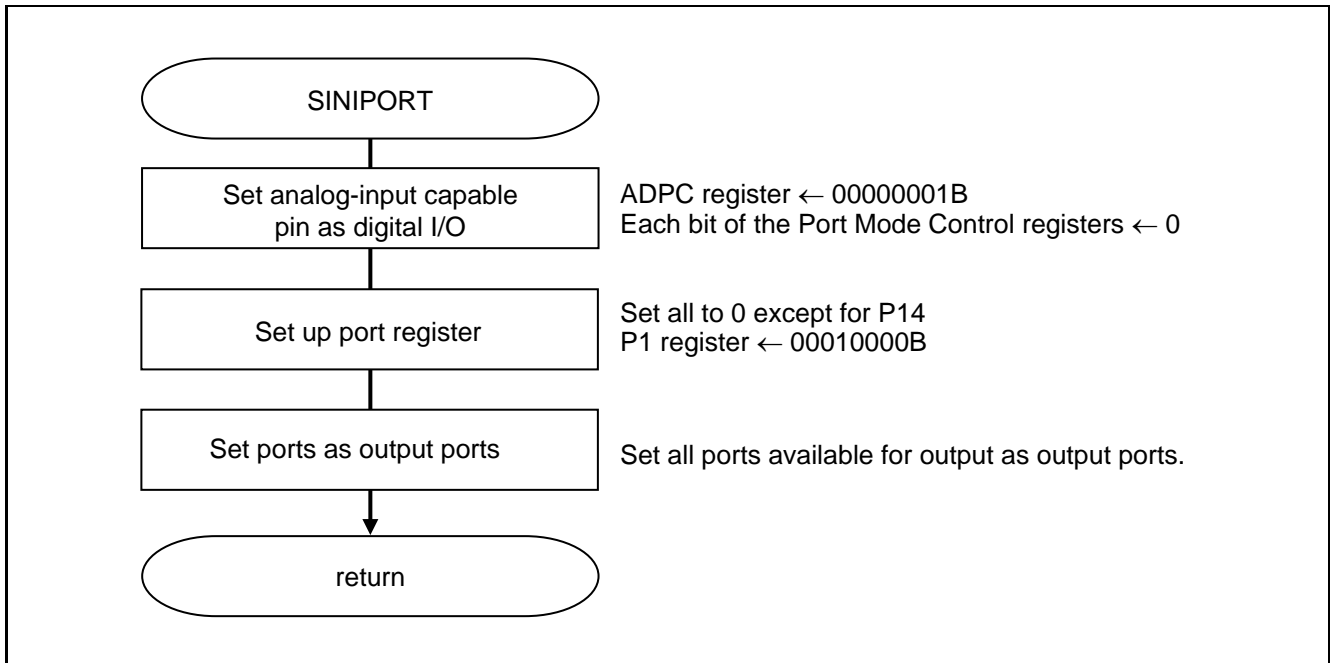


Figure 5.3 I/O Port Setup

Note: Refer to the section entitled "Flowcharts" in RL78/G12 Initialization Application Note (R01AN1030E) for the configuration of the unused ports.

Caution: Provide proper treatment for unused pins so that their electrical specifications are met. Connect each of any unused input-only ports to V<sub>DD</sub> or V<sub>SS</sub> via a separate resistor.

Setting up the LED port

- Port mode register 1 (PM1)  
Select I/O mode for the port.

Symbol: PM1

7	6	5	4	3	2	1	0
PM17	PM16	PM15	PM14	PM13	PM12	PM11	PM10
1	1	1	0	0	0	0	0

Bit 3

PM13	P13 pin I/O mode selection
0	Output mode (output buffer on)
1	Input mode (output buffer off)

Caution: For details on the register setup procedures, refer to RL78/G12 User's Manual: Hardware.

5.7.3 Clock Generation Circuit Setup

Figure 5.4 shows the flowchart for clock generation circuit setup.

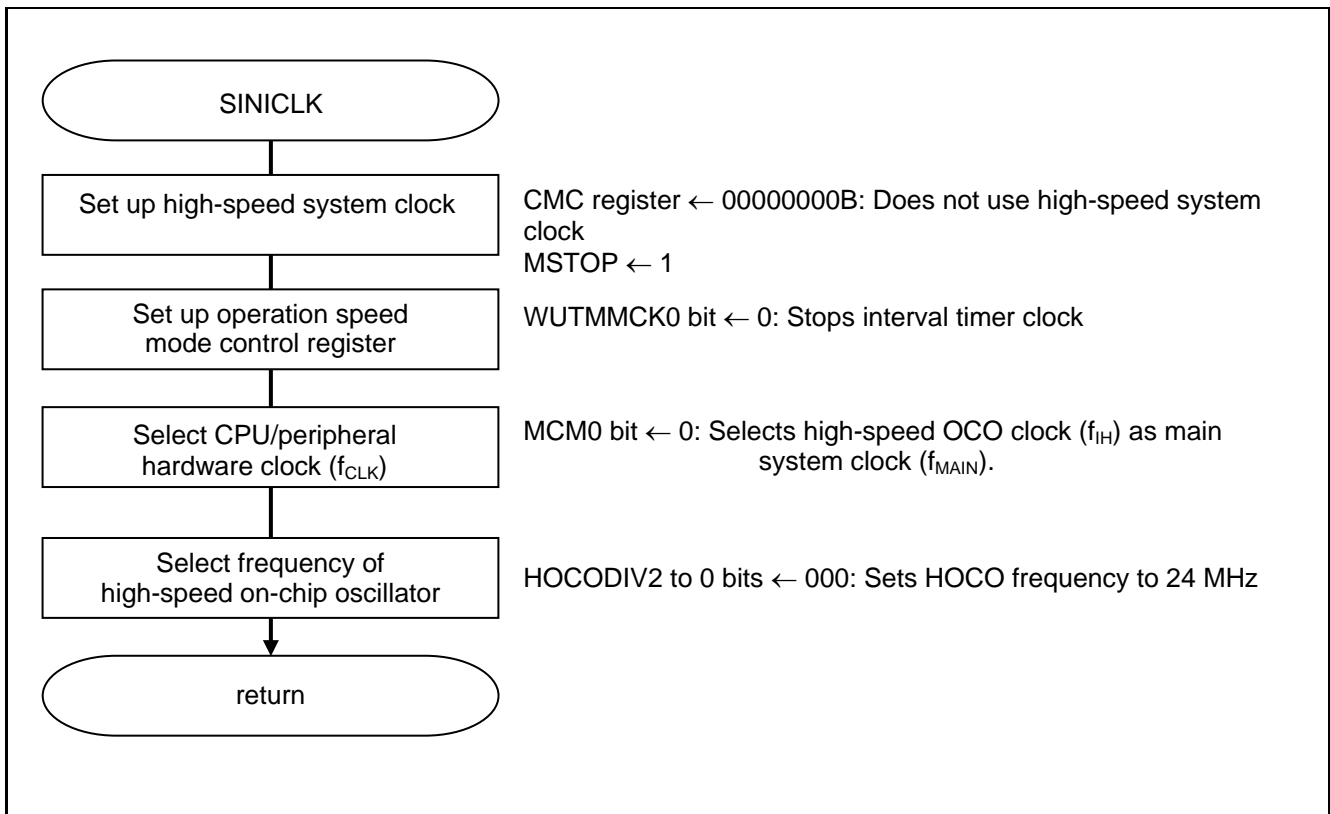


Figure 5.4 Clock Generation Circuit Setup

Caution: For details on the procedure for setting up the clock generation circuit (INICKL), refer to the section entitled "Flowcharts" in RL78/G12 Initialization Application Note (R01AN1030E).

5.7.4 Timer Array Unit Setup

Figure 5.5 shows the flowchart for setting up the timer array unit.

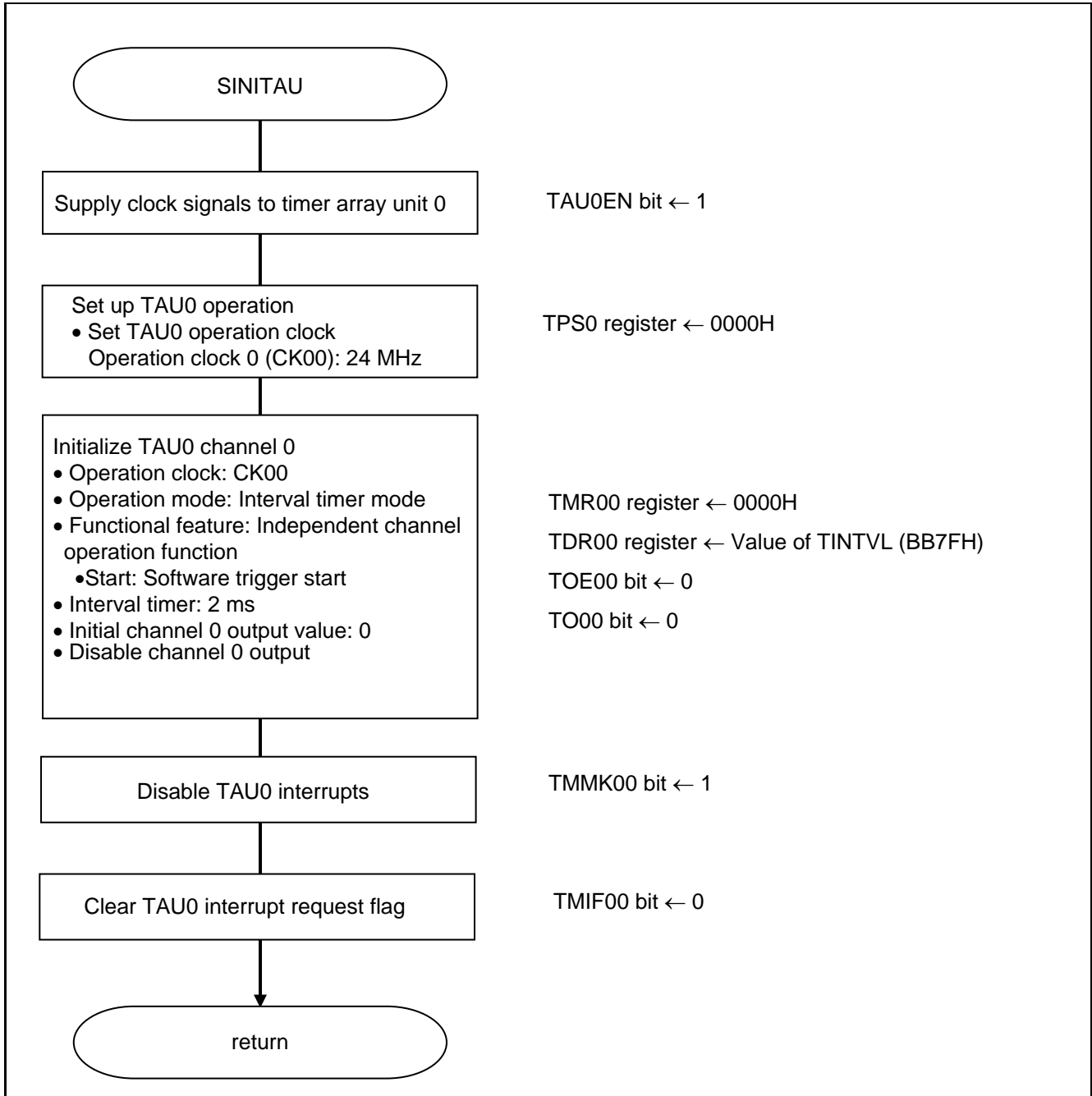


Figure 5.5 Timer Array Unit Setup

(1) Starting clock supply to the timer array unit 0

- Peripheral enable register 0 (PER0)  
Start supplying clock to the timer array unit 0.

Symbol: PER0

7	6	5	4	3	2	1	0
TMKAEN	0	ADCEN	IICA0EN	SAU1EN	SAU0EN	0	TAU0EN
x	0	x	x	x	x	0	1

Bit 0

TAU0EN	Control of timer array unit 0 input clock supply
0	Stops supply of input clock.
1	Supplies input clock.

Caution: For details on the register setup procedures, refer to RL78/G12 User's Manual: Hardware.



(2) Configuring the timer clock frequency

- Timer clock select register 0 (TPS0)  
Select an operation clock for timer array unit 0.

Symbol: TPS0

15	14	13	12	11	10	9	8	7	6	5	4	3	2	1	0
0	0	PRS 031	PRS 030	0	0	PRS 021	PRS 020	PRS 013	PRS 012	PRS 011	PRS 010	PRS 003	PRS 002	PRS 001	PRS 000
x	x	x	x	x	x	x	x	x	x	x	x	0	0	0	0

Bits 3 to 0

PRS 003	PRS 002	PRS 001	PRS 000	Selection of operation clock (CK00)					
				$f_{CLK}$	$f_{CLK} =$ 2 MHz	$f_{CLK} =$ 5 MHz	$f_{CLK} =$ 10 MHz	$f_{CLK} =$ 20 MHz	$f_{CLK} =$ 24 MHz
0	0	0	0	$f_{CLK}$	2 MHz	5 MHz	10 MHz	20 MHz	24 MHz
0	0	0	1	$f_{CLK}/2$	1 MHz	2.5 MHz	5 MHz	10 MHz	12 MHz
0	0	1	0	$f_{CLK}/2^2$	500 kHz	1.25 MHz	2.5 MHz	5 MHz	6 MHz
0	0	1	1	$f_{CLK}/2^3$	250 kHz	625 kHz	1.25 MHz	2.5 MHz	3 MHz
0	1	0	0	$f_{CLK}/2^4$	125 kHz	312.5 kHz	625 kHz	1.25 MHz	1.5 MHz
0	1	0	1	$f_{CLK}/2^5$	62.5 kHz	156.2 kHz	312.5 kHz	625 kHz	0.75 MHz
0	1	1	0	$f_{CLK}/2^6$	31.25 kHz	78.1 kHz	156.2 kHz	312.5 kHz	375 kHz
0	1	1	1	$f_{CLK}/2^7$	15.62 kHz	39.1 kHz	78.1 kHz	156.2 kHz	187.5 kHz
1	0	0	0	$f_{CLK}/2^8$	7.81 kHz	19.5 kHz	39.1 kHz	78.1 kHz	93.75 kHz
1	0	0	1	$f_{CLK}/2^9$	3.91 kHz	9.76 kHz	19.5 kHz	39.1 kHz	46.88 kHz
1	0	1	0	$f_{CLK}/2^{10}$	1.95 kHz	4.88 kHz	9.76 kHz	19.5 kHz	23.44 kHz
1	0	1	1	$f_{CLK}/2^{11}$	976 Hz	2.44 kHz	4.88 kHz	9.76 kHz	11.72 kHz
1	1	0	0	$f_{CLK}/2^{12}$	488 Hz	1.22 kHz	2.44 kHz	4.88 kHz	5.86 kHz
1	1	0	1	$f_{CLK}/2^{13}$	244 Hz	610 Hz	1.22 kHz	2.44 kHz	2.93 kHz
1	1	1	0	$f_{CLK}/2^{14}$	122 Hz	305 Hz	610 Hz	1.22 kHz	1.47 kHz
1	1	1	1	$f_{CLK}/2^{15}$	61 Hz	153 Hz	305 Hz	610 Hz	732 Hz

Caution: For details on the register setup procedures, refer to RL78/G12 User's Manual: Hardware.

(3) Setting up channel 0 operation mode

- Timer mode register 00 (TMR00)  
 Select an operation clock ( $f_{MCK}$ ).  
 Select a count clock.  
 Select the software trigger start.  
 Set up the operation mode.

Symbol: TMR00

15	14	13	12	11	10	9	8	7	6	5	4	3	2	1	0
CKS001	CKS000	0	CCS00	MAS TER 00	STS002	STS001	STS000	CIS001	CIS000	0	0	MD003	MD002	MD001	MD000
0	0	0	0	0	0	0	0	0	0	0	0	0	0	0	0

Bits 15 and 14

CKS001	CKS000	Selection of operation clock ( $f_{MCK}$ ) of channel n selection
0	0	Operation clock CK00 set by timer clock select register 0 (TPS0)
0	1	Operation clock CK02 set by timer clock select register 0 (TPS0)
1	0	Operation clock CK01 set by timer clock select register 0 (TPS0)
1	1	Operation clock CK03 set by timer clock select register 0 (TPS0)

Bit 12

CCS00	Selection of count clock ( $f_{CLK}$ ) of channel n
0	Operation clock ( $f_{MCK}$ ) specified by the CKS000 and CKS001 bits
1	Valid edge of input signal input from the TI00 pin

Bit 11

MASTER00	Selection between using channel 0 independently or simultaneously with another channel (as a slave or master)
0	Operates in independent channel operation function or as slave channel in simultaneous channel operation function.
1	Operates as master channel in simultaneous channel operation function.

Caution: For details on the register setup procedures, refer to RL78/G12 User's Manual: Hardware.

Symbol: TMR00

15	14	13	12	11	10	9	8	7	6	5	4	3	2	1	0
CKS001	CKS000	0	CCS00	MAS TER 00	STS002	STS001	STS000	CIS001	CIS000	0	0	MD003	MD002	MD001	MD000
0	0	0	0	0	0	0	0	0	0	0	0	0	0	0	0

Bits 10 to 8

STS002	STS001	STS000	Setting of start trigger or capture trigger of channel 0
0	0	0	Only software trigger start is valid (other trigger sources are unselected).
0	0	1	Valid edge of the TI00 pin input is used as both the start trigger and capture trigger.
0	1	0	Both the edges of the TI00 pin input are used as a start trigger and a capture trigger.
1	0	0	Interrupt signal of the master channel is used (when the channel is used as a slave channel with the simultaneous channel operation function).
Other than above			Setting prohibited

Bits 7 and 6

CIS001	CIS000	Selection of TI00 pin input valid edge
0	0	Falling edge
0	1	Rising edge
1	0	Both edges (when low-level width is measured) Start trigger: Falling edge, Capture trigger: Rising edge
1	1	Both edges (when high-level width is measured) Start trigger: Rising edge, Capture trigger: Falling edge

Caution: For details on the register setup procedures, refer to RL78/G12 User's Manual: Hardware.

Symbol: TMR00

15	14	13	12	11	10	9	8	7	6	5	4	3	2	1	0
CKS001	CKS000	0	CCS00	MAS TER00	STS002	STS001	STS000	CIS001	CIS000	0	0	MD003	MD002	MD001	MD000
0	0	0	0	0	0	0	0	0	0	0	0	0	0	0	0

Bits 3 to 0

MD003	MD002	MD001	MD000	Operation mode of channel 0	Corresponding function	Counting operation of TCR
0	0	0	1/0	Interval timer mode	Interval timer / Square wave output / Divider function / PWM output (master)	Counting down
0	1	0	1/0	Capture mode	Input pulse interval measurement	Counting up
0	1	1	0	Event counter mode	External event counter	Counting down
1	0	0	1/0	One-count mode	Delay counter / One-shot pulse output / PWM output (slave)	Counting down
1	1	0	0	Capture & one-count mode	Measurement of high-/low-level width of input signal	Counting up
Other than above				Setting prohibited		

The operation of the MD000 bit operation varies depending on each operation mode (see the table below).

Operation mode (Value set by the MD003 to MD001 bits) (See the above table)	MD000	Setting of starting counting and interrupt
<ul style="list-style-type: none"> <li>Interval timer mode (0, 0, 0)</li> <li>Capture mode (0, 1, 0)</li> </ul>	0	Timer interrupt is not generated when counting is started (timer output does not change, either).
	1	Timer interrupt is generated when counting is started (timer output also changes).
<ul style="list-style-type: none"> <li>Event counter mode (0, 1, 1)</li> </ul>	0	Timer interrupt is not generated when counting is started (timer output does not change, either).
<ul style="list-style-type: none"> <li>One-count mode (1, 0, 0)</li> </ul>	0	Start trigger is invalid during counting operation. At that time, interrupt is not generated, either.
	1	Start trigger is valid during counting operation. At that time, interrupt is also generated.
<ul style="list-style-type: none"> <li>Capture/one-count mode (1, 1, 0)</li> </ul>	0	Timer interrupt is not generated when counting is started (timer output does not change, either). Start trigger is invalid during counting operation. At that time, interrupt is not generated, either.
Other than above		Setting prohibited

Caution: For details on the register setup procedures, refer to RL78/G12 User's Manual: Hardware.

(4) Setting the interval timer cycle time

- Timer data register 00 (TDR00)  
Configure the interval timer compare value.

Symbol: TDR00

15	14	13	12	11	10	9	8	7	6	5	4	3	2	1	0

Timer interrupt (INTTM00) occurrence = (TDR00 setting + 1) × Count clock cycle time

(5) Enabling the timer output

- Timer output enable register 0 (TOE0)  
Enable/disable the timer output for each channel.

Symbol: TOE0

15	14	13	12	11	10	9	8	7	6	5	4	3	2	1	0
0	0	0	0	0	0	0	0	TOE07	TOE06	TOE05	TOE04	TOE03	TOE02	TOE01	TOE00
0	0	0	0	0	0	0	0	x	x	x	x	x	x	x	0

Bit 0

TOE00	Timer output enable/disable of channel 0
0	Disables the timer output. Timer operation is not reflected in the TO00 bit, and the output is fixed. Writing to the TO00 bit is allowed.
1	Enables the timer output. Timer operation is reflected in the TO00 bit, and output waveform is generated. Writing to the TO00 bit is ignored.

Caution: For details on the register setup procedures, refer to RL78/G12 User's Manual: Hardware.

5.7.5 INTPO Initialization

Figure 5.6 shows the flowchart for INTPO initialization.

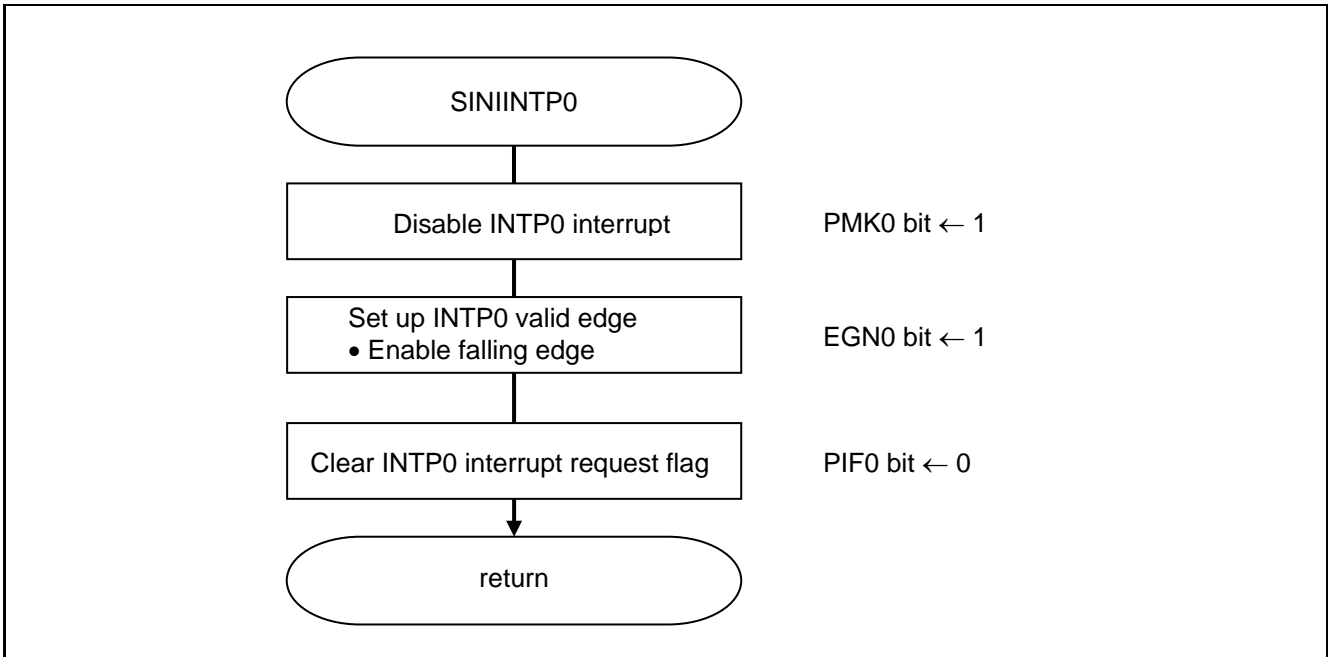


Figure 5.6 INTC Module Setup

(1) Setup for INTPO pin edge detection

- External interrupt rising edge enable register (EGP0)  
External interrupt falling edge enable register (EGN0)  
Select a valid edge for INTPO

Symbol: EGP0

7	6	5	4	3	2	1	0
EGP7	EGP6	EGP5	EGP4	EGP3	EGP2	EGP1	EGP0
x	x	x	x	x	x	x	0

Symbol: EGN0

7	6	5	4	3	2	1	0
EGN7	EGN6	EGN5	EGN4	EGN3	EGN2	EGN1	EGN0
x	x	x	x	x	x	x	1

EGP0	EGN0	INTPO pin valid edge selection
0	0	Edge detection disabled.
0	1	<b>Falling edge</b>
1	0	Rising edge
1	1	Both rising and falling edges

Caution: For details on the register setup procedures, refer to RL78/G12 User's Manual: Hardware.

5.7.6 Main Processing

Figure 5.7 shows the flowchart for main processing.

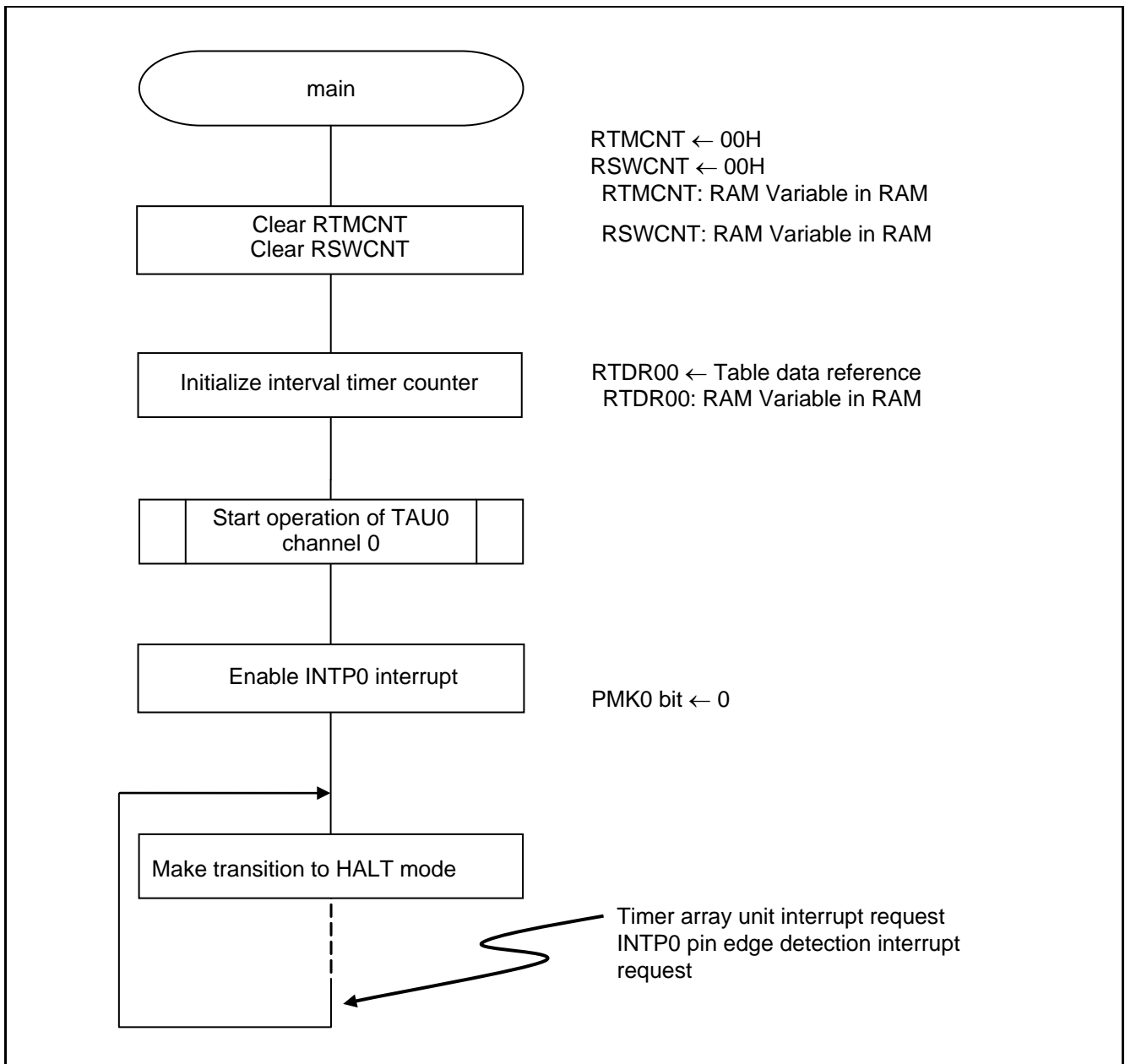


Figure 5.7 Main Processing

5.7.7 TAU0 Channel 0 Startup

Figure 5.8 shows the flowchart for starting the operation of TAU0 channel 0.

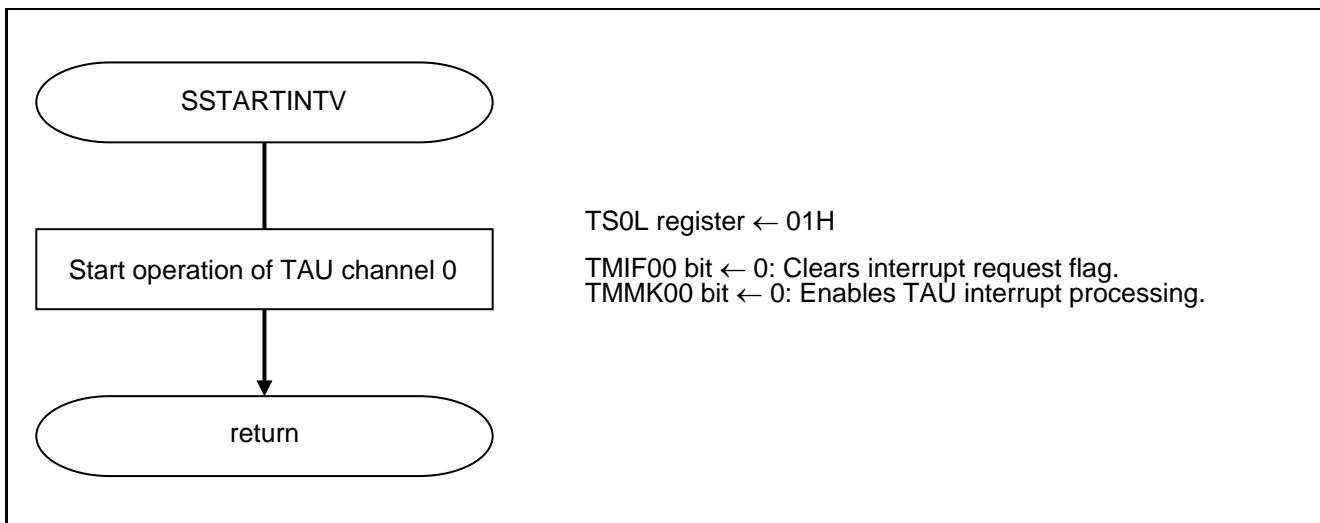


Figure 5.8 TAU0 Channel 0 Startup



## (1) Timer count completion interrupt setup

- Interrupt request flag register (IF0H)  
Clear interrupt request flag.
- Interrupt mask flag register (MK0H)  
Clear interrupt mask.

Symbol: IF0H

7	6	5	4	3	2	1	0
TMIF01	TMIF00	IICAI0	TMIF03H	TMIF01H	SREIF0	SRIF0 CSIF01 IICIF01	STIF0 CSIF00 IICIF00
x	0	x	x	x	x	x	x

Bit 6

TMIF00	Interrupt request flag
0	No interrupt request signal is generated
1	Interrupt request is generated, interrupt request status

Symbol: MK0H

7	6	5	4	3	2	1	0
TMMK01	TMMK00	IICAMK0	TMMK03 H	TMMK01 H	SREMK0	SRMK0 CSIMK01 IICMK01	STMK0 CSIMK00 IICMK00
x	0	x	x	x	x	x	x

Bit 6

TMMK00	Interrupt processing control
0	Interrupt processing enabled
1	Interrupt processing disabled

Caution: For details on the register setup procedures, refer to RL78/G12 User's Manual: Hardware.

### 5.7.8 INTTM0 Interrupt Processing

Figure 5.9 shows the flowchart for INTTM0 interrupt processing.

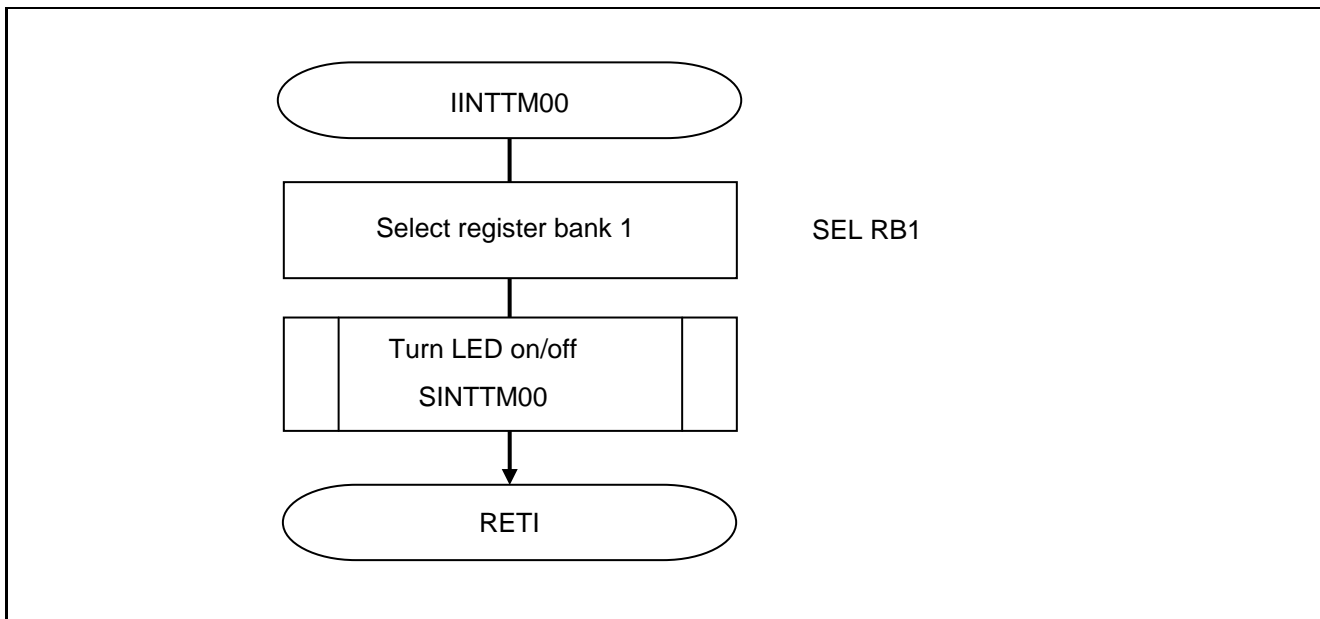


Figure 5.9 INTTM0 Interrupt Processing

5.7.9 LED Turn-On/Off Processing

Figure 5.10 shows the flowchart for LED turn-on/off processing.

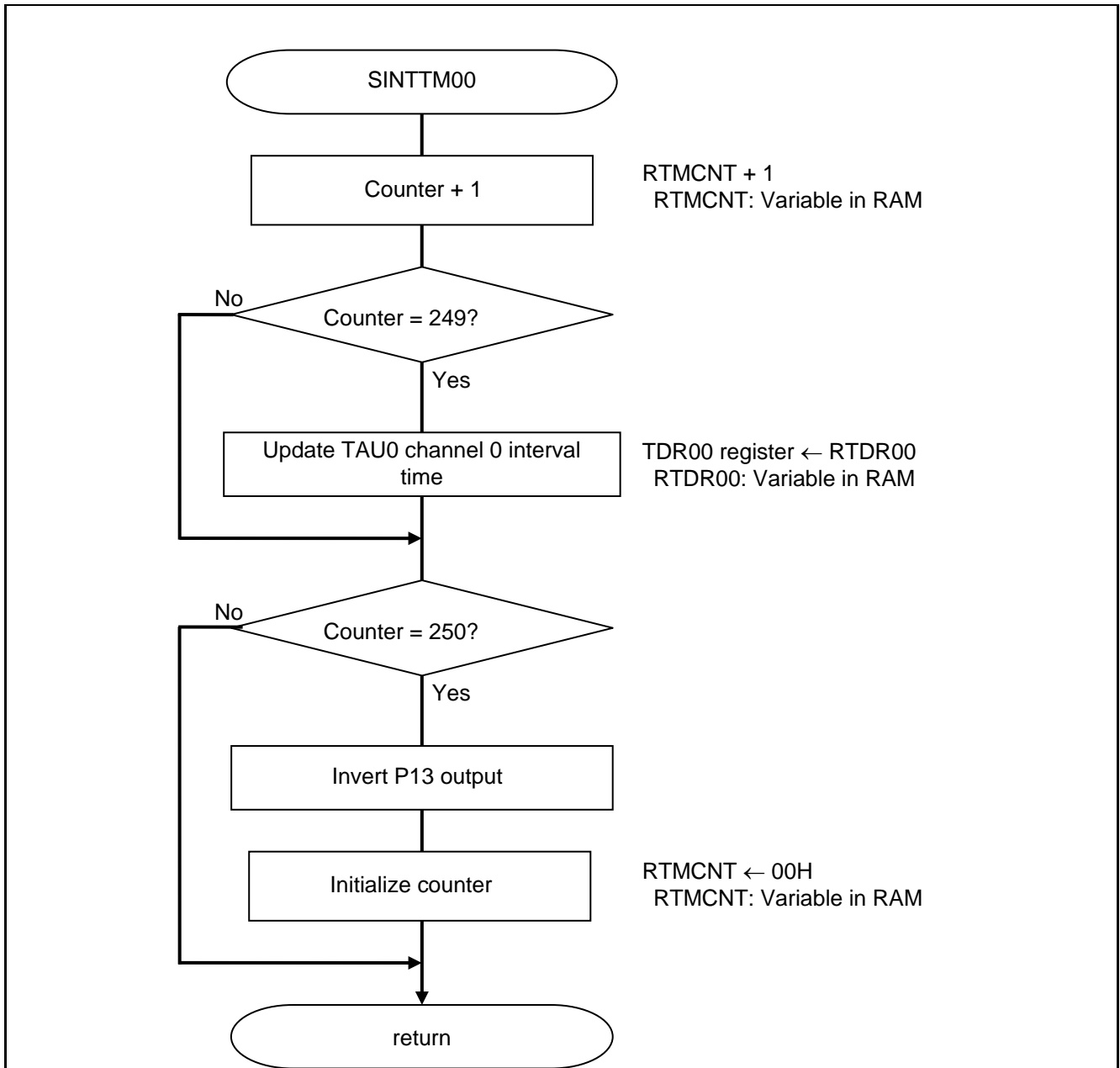


Figure 5.10 Flowchart for LED Turn-on/off Processing

5.7.10 INTP0 Interrupt Processing

Figures 5.11 and 5.12 show the flowchart for INTP0 interrupt processing.

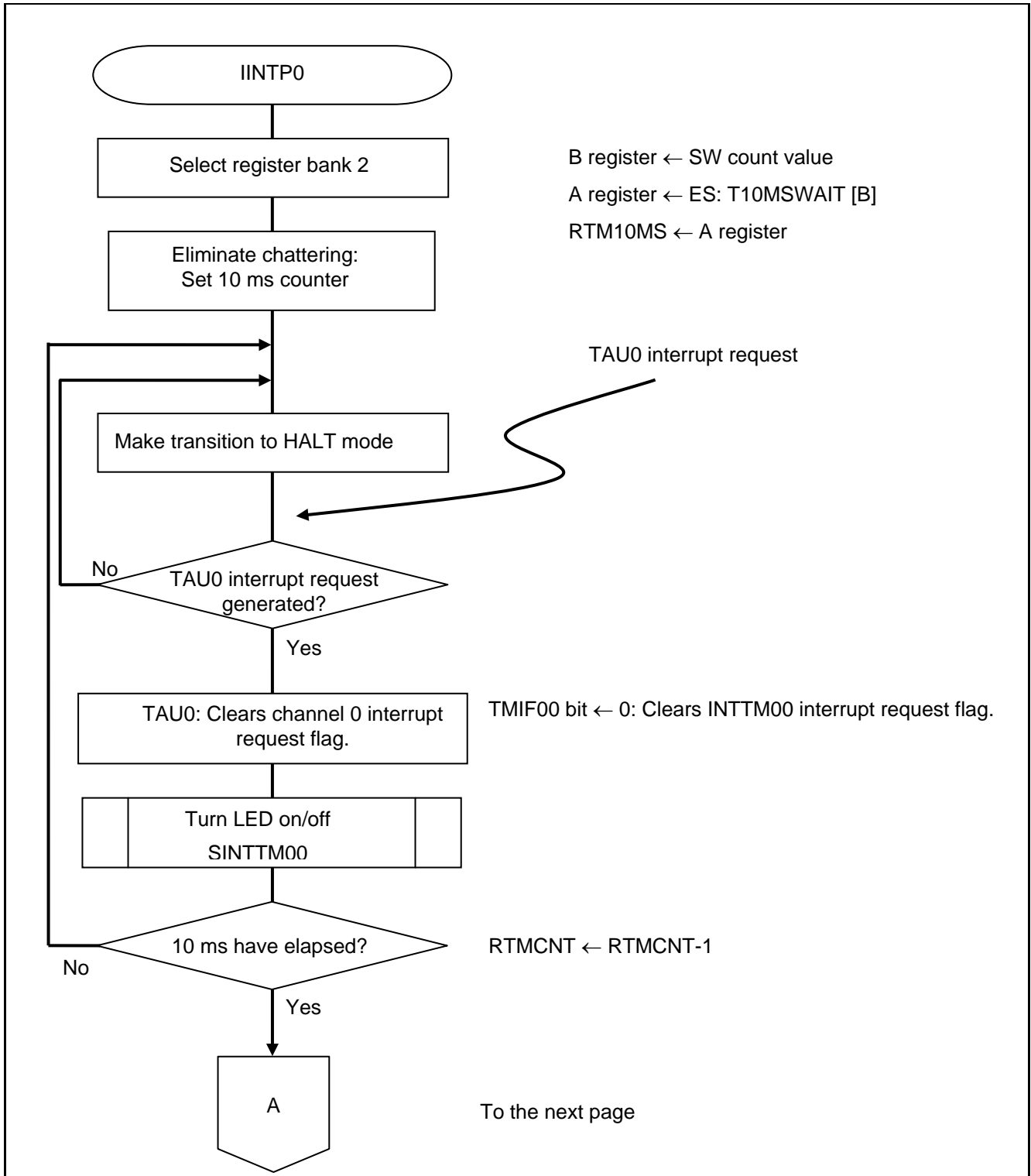


Figure 5.11 INTP0 Interrupt Processing (1/2)

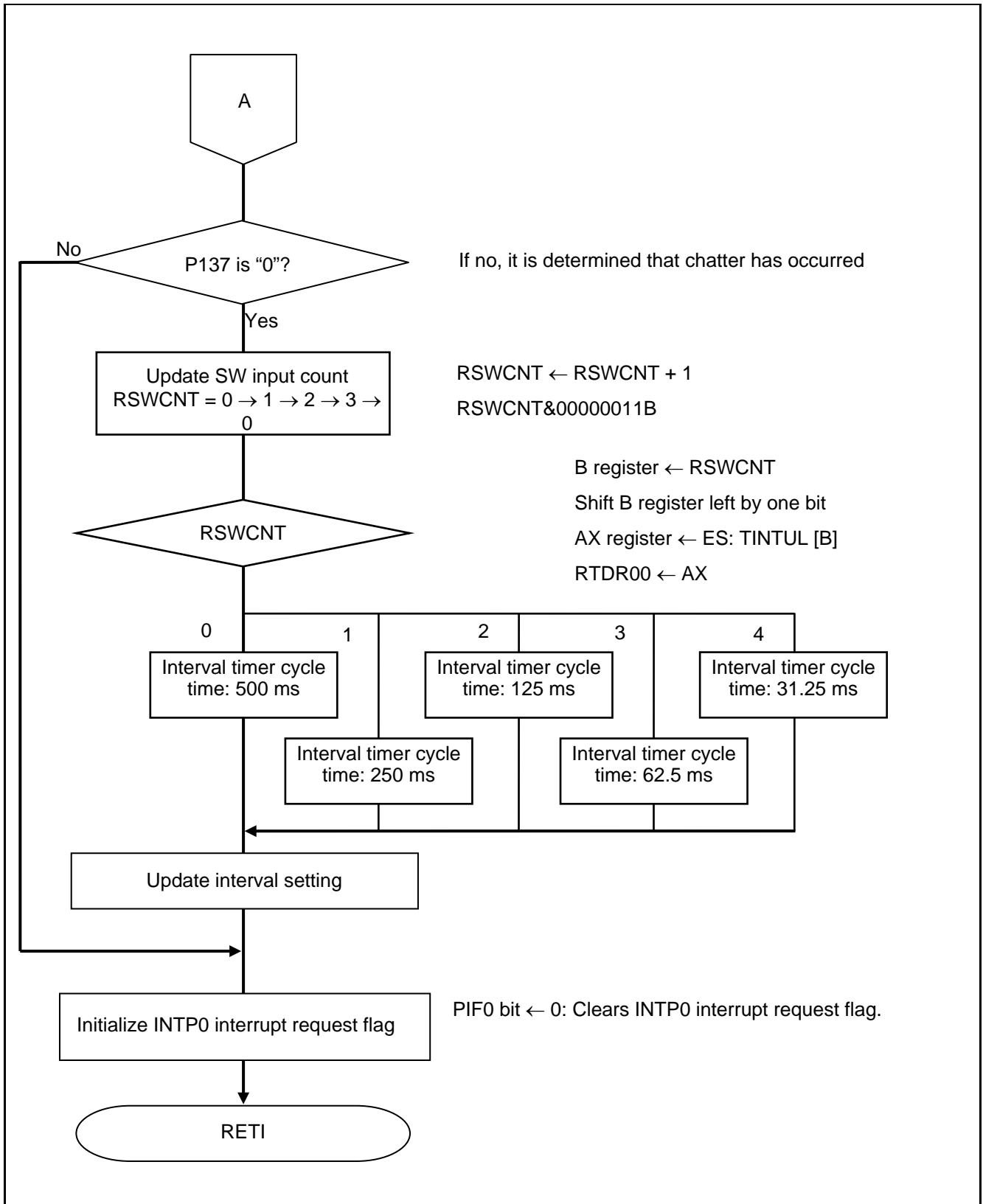


Figure 5.12 INTP0 Interrupt Processing (2/2)

## 6. Sample Code

The sample code is available on the Renesas Electronics Website.

## 7. Documents for Reference

User's Manual:

RL78/G13 User's Manual: Hardware (R01UH0146EJ)

RL78 Family User's Manual: Software (R01US0015EJ)

The latest version can be downloaded from the Renesas Electronics website.

Technical Updates/Technical News

The latest information can be downloaded from the Renesas Electronics website.

## Website and Support

Renesas Electronics Website

<http://www.renesas.com/index.jsp>

Inquiries

<http://www.renesas.com/contact/>

**REVISION HISTORY      RL78/G12 Timer Array Unit (Interval Timer)**

		<b>Description</b>	
<b>Rev.</b>	<b>Date</b>	<b>Page</b>	<b>Summary</b>
1.00	Sep. 1, 2012	—	First edition issued
2.00	Dec. 27, 2013	5	Table 2.1: Added e2studio and IAR information
2.01	Sep. 2, 2015	12	Error collection of Figure 5.2
		14	Error collection of Figure 5.4

All trademarks and registered trademarks are the property of their respective owners.

## General Precautions in the Handling of Microprocessing Unit and Microcontroller Unit Products

The following usage notes are applicable to all Microprocessing unit and Microcontroller unit products from Renesas. For detailed usage notes on the products covered by this document, refer to the relevant sections of the document as well as any technical updates that have been issued for the products.

### 1. Handling of Unused Pins

Handle unused pins in accordance with the directions given under Handling of Unused Pins in the manual.

- The input pins of CMOS products are generally in the high-impedance state. In operation with an unused pin in the open-circuit state, extra electromagnetic noise is induced in the vicinity of LSI, an associated shoot-through current flows internally, and malfunctions occur due to the false recognition of the pin state as an input signal become possible. Unused pins should be handled as described under Handling of Unused Pins in the manual.

### 2. Processing at Power-on

The state of the product is undefined at the moment when power is supplied.

- The states of internal circuits in the LSI are indeterminate and the states of register settings and pins are undefined at the moment when power is supplied.  
In a finished product where the reset signal is applied to the external reset pin, the states of pins are not guaranteed from the moment when power is supplied until the reset process is completed. In a similar way, the states of pins in a product that is reset by an on-chip power-on reset function are not guaranteed from the moment when power is supplied until the power reaches the level at which resetting has been specified.

### 3. Prohibition of Access to Reserved Addresses

Access to reserved addresses is prohibited.

- The reserved addresses are provided for the possible future expansion of functions. Do not access these addresses; the correct operation of LSI is not guaranteed if they are accessed.

### 4. Clock Signals

After applying a reset, only release the reset line after the operating clock signal has become stable. When switching the clock signal during program execution, wait until the target clock signal has stabilized.

- When the clock signal is generated with an external resonator (or from an external oscillator) during a reset, ensure that the reset line is only released after full stabilization of the clock signal. Moreover, when switching to a clock signal produced with an external resonator (or by an external oscillator) while program execution is in progress, wait until the target clock signal is stable.

### 5. Differences between Products

Before changing from one product to another, i.e. to a product with a different part number, confirm that the change will not lead to problems.

- The characteristics of Microprocessing unit or Microcontroller unit products in the same group but having a different part number may differ in terms of the internal memory capacity, layout pattern, and other factors, which can affect the ranges of electrical characteristics, such as characteristic values, operating margins, immunity to noise, and amount of radiated noise. When changing to a product with a different part number, implement a system-evaluation test for the given product.



## Notice

1. Descriptions of circuits, software and other related information in this document are provided only to illustrate the operation of semiconductor products and application examples. You are fully responsible for the incorporation of these circuits, software, and information in the design of your equipment. Renesas Electronics assumes no responsibility for any losses incurred by you or third parties arising from the use of these circuits, software, or information.
  2. Renesas Electronics has used reasonable care in preparing the information included in this document, but Renesas Electronics does not warrant that such information is error free. Renesas Electronics assumes no liability whatsoever for any damages incurred by you resulting from errors in or omissions from the information included herein.
  3. Renesas Electronics does not assume any liability for infringement of patents, copyrights, or other intellectual property rights of third parties by or arising from the use of Renesas Electronics products or technical information described in this document. No license, express, implied or otherwise, is granted hereby under any patents, copyrights or other intellectual property rights of Renesas Electronics or others.
  4. You should not alter, modify, copy, or otherwise misappropriate any Renesas Electronics product, whether in whole or in part. Renesas Electronics assumes no responsibility for any losses incurred by you or third parties arising from such alteration, modification, copy or otherwise misappropriation of Renesas Electronics product.
  5. Renesas Electronics products are classified according to the following two quality grades: "Standard" and "High Quality". The recommended applications for each Renesas Electronics product depends on the product's quality grade, as indicated below.  
"Standard": Computers; office equipment; communications equipment; test and measurement equipment; audio and visual equipment; home electronic appliances; machine tools; personal electronic equipment; and industrial robots etc.  
"High Quality": Transportation equipment (automobiles, trains, ships, etc.); traffic control systems; anti-disaster systems; anti-crime systems; and safety equipment etc.  
Renesas Electronics products are neither intended nor authorized for use in products or systems that may pose a direct threat to human life or bodily injury (artificial life support devices or systems, surgical implantations etc.), or may cause serious property damages (nuclear reactor control systems, military equipment etc.). You must check the quality grade of each Renesas Electronics product before using it in a particular application. You may not use any Renesas Electronics product for any application for which it is not intended. Renesas Electronics shall not be in any way liable for any damages or losses incurred by you or third parties arising from the use of any Renesas Electronics product for which the product is not intended by Renesas Electronics.
  6. You should use the Renesas Electronics products described in this document within the range specified by Renesas Electronics, especially with respect to the maximum rating, operating supply voltage range, movement power voltage range, heat radiation characteristics, installation and other product characteristics. Renesas Electronics shall have no liability for malfunctions or damages arising out of the use of Renesas Electronics products beyond such specified ranges.
  7. Although Renesas Electronics endeavors to improve the quality and reliability of its products, semiconductor products have specific characteristics such as the occurrence of failure at a certain rate and malfunctions under certain use conditions. Further, Renesas Electronics products are not subject to radiation resistance design. Please be sure to implement safety measures to guard them against the possibility of physical injury, and injury or damage caused by fire in the event of the failure of a Renesas Electronics product, such as safety design for hardware and software including but not limited to redundancy, fire control and malfunction prevention, appropriate treatment for aging degradation or any other appropriate measures. Because the evaluation of microcomputer software alone is very difficult, please evaluate the safety of the final products or systems manufactured by you.
  8. Please contact a Renesas Electronics sales office for details as to environmental matters such as the environmental compatibility of each Renesas Electronics product. Please use Renesas Electronics products in compliance with all applicable laws and regulations that regulate the inclusion or use of controlled substances, including without limitation, the EU RoHS Directive. Renesas Electronics assumes no liability for damages or losses occurring as a result of your noncompliance with applicable laws and regulations.
  9. Renesas Electronics products and technology may not be used for or incorporated into any products or systems whose manufacture, use, or sale is prohibited under any applicable domestic or foreign laws or regulations. You should not use Renesas Electronics products or technology described in this document for any purpose relating to military applications or use by the military, including but not limited to the development of weapons of mass destruction. When exporting the Renesas Electronics products or technology described in this document, you should comply with the applicable export control laws and regulations and follow the procedures required by such laws and regulations.
  10. It is the responsibility of the buyer or distributor of Renesas Electronics products, who distributes, disposes of, or otherwise places the product with a third party, to notify such third party in advance of the contents and conditions set forth in this document, Renesas Electronics assumes no responsibility for any losses incurred by you or third parties as a result of unauthorized use of Renesas Electronics products.
  11. This document may not be reproduced or duplicated in any form, in whole or in part, without prior written consent of Renesas Electronics.
  12. Please contact a Renesas Electronics sales office if you have any questions regarding the information contained in this document or Renesas Electronics products, or if you have any other inquiries.
- (Note 1) "Renesas Electronics" as used in this document means Renesas Electronics Corporation and also includes its majority-owned subsidiaries.  
(Note 2) "Renesas Electronics product(s)" means any product developed or manufactured by or for Renesas Electronics.



### SALES OFFICES

Renesas Electronics Corporation

<http://www.renesas.com>

Refer to "<http://www.renesas.com/>" for the latest and detailed information.

#### Renesas Electronics America Inc.

2801 Scott Boulevard Santa Clara, CA 95050-2549, U.S.A.  
Tel: +1-408-588-6000, Fax: +1-408-588-6130

#### Renesas Electronics Canada Limited

9251 Yonge Street, Suite 8309 Richmond Hill, Ontario Canada L4C 9T3  
Tel: +1-905-237-2004

#### Renesas Electronics Europe Limited

Dukes Meadow, Millboard Road, Bourne End, Buckinghamshire, SL8 5FH, U.K.  
Tel: +44-1628-585-100, Fax: +44-1628-585-900

#### Renesas Electronics Europe GmbH

Arcadiastrasse 10, 40472 Düsseldorf, Germany  
Tel: +49-211-6503-0, Fax: +49-211-6503-1327

#### Renesas Electronics (China) Co., Ltd.

Room 1709, Quantum Plaza, No.27 ZhiChunLu Haidian District, Beijing 100191, P.R.China  
Tel: +86-10-8235-1155, Fax: +86-10-8235-7679

#### Renesas Electronics (Shanghai) Co., Ltd.

Unit 301, Tower A, Central Towers, 555 Langao Road, Putuo District, Shanghai, P. R. China 200333  
Tel: +86-21-2226-0888, Fax: +86-21-2226-0999

#### Renesas Electronics Hong Kong Limited

Unit 1601-1611, 16/F., Tower 2, Grand Century Place, 193 Prince Edward Road West, Mongkok, Kowloon, Hong Kong  
Tel: +852-2265-6688, Fax: +852 2886-9022

#### Renesas Electronics Taiwan Co., Ltd.

13F, No. 363, Fu Shing North Road, Taipei 10543, Taiwan  
Tel: +886-2-8175-9600, Fax: +886 2-8175-9670

#### Renesas Electronics Singapore Pte. Ltd.

80 Bendemeer Road, Unit #06-02 Hyflux Innovation Centre, Singapore 339949  
Tel: +65-6213-0200, Fax: +65-6213-0300

#### Renesas Electronics Malaysia Sdn.Bhd.

Unit 1207, Block B, Menara Amcorp, Amcorp Trade Centre, No. 18, Jln Persiaran Barat, 46050 Petaling Jaya, Selangor Darul Ehsan, Malaysia  
Tel: +60-3-7955-9390, Fax: +60-3-7955-9510

#### Renesas Electronics India Pvt. Ltd.

No.777C, 100 Feet Road, HALII Stage, Indiranagar, Bangalore, India  
Tel: +91-80-67208700, Fax: +91-80-67208777

#### Renesas Electronics Korea Co., Ltd.

12F., 234 Teheran-ro, Gangnam-Gu, Seoul, 135-080, Korea  
Tel: +82-2-558-3737, Fax: +82-2-558-5141