

RL78/G10

Timer Array Unit (Interval Timer) CC-RL

Introduction

This application note describes the interval timer function of the timer array unit (TAU). This unit inverts the LED indication each time a timer interrupt occurs. Also, it changes the timer interrupt cycle time based on the number of times the switch is pressed.

Target Device

RL78/G10

When applying the sample program covered in this application note to another microcomputer, modify the program according to the specifications for the target microcomputer and conduct an extensive evaluation of the modified program.

Contents

1. Specifications	3
2. Operation Check Conditions	5
3. Related Application Note	5
4. Description of the Hardware	6
4.1 Hardware Configuration Example	6
4.2 List of Pins to be Used	6
5. Description of the Software	7
5.1 Operation Outline	7
5.2 List of Option Byte Settings	8
5.3 List of Constants	8
5.4 List of Variables	8
5.5 List of Functions	9
5.6 Function Specifications	9
5.7 Flowcharts	11
5.7.1 Initialization Function	11
5.7.2 System Function	12
5.7.3 I/O Port Setup	13
5.7.4 CPU Clock Setup	14
5.7.5 Timer Array Unit Setup	15
5.7.6 INTP0 Initialization	22
5.7.7 Main Processing	23
5.7.8 Main initializes settings	24
5.7.9 INTP0 Operation Start	25
5.7.10 Timer Array Unit 0 Operation Start	26
5.7.11 INTTM00 Interrupt Processing	28
5.7.12 LED Turn-On/Off Processing	29
5.7.13 INTP0 Interrupt Processing	30
6. Sample Code	32
7. Documents for Reference	32

1. Specifications

This application note shows example settings for using timer interrupts (INTTM00) from the interval timer and interrupts (INTP0) generated on pin input edge detection. The TAU inverts the LED indication each time a timer interrupt (INTTM00) occurs. Also, this unit changes the timer interrupt (INTTM00) cycle time based on the number of times the switch (SW) is pressed.

Table 1.1 lists the peripheral functions to be used and their uses. Figure 1.1 shows the timer and its interrupt operation.

Table 1.1 Peripheral Functions to be Used and Their Uses

Peripheral Function	Use
Timer array unit (channel 0)	Time interval control for inversion of the P10 pin output (LED indication)
P00	Output port for LED indications
P137/INTP0	Switch input for changing the timer interrupt (INTTM00) cycle time

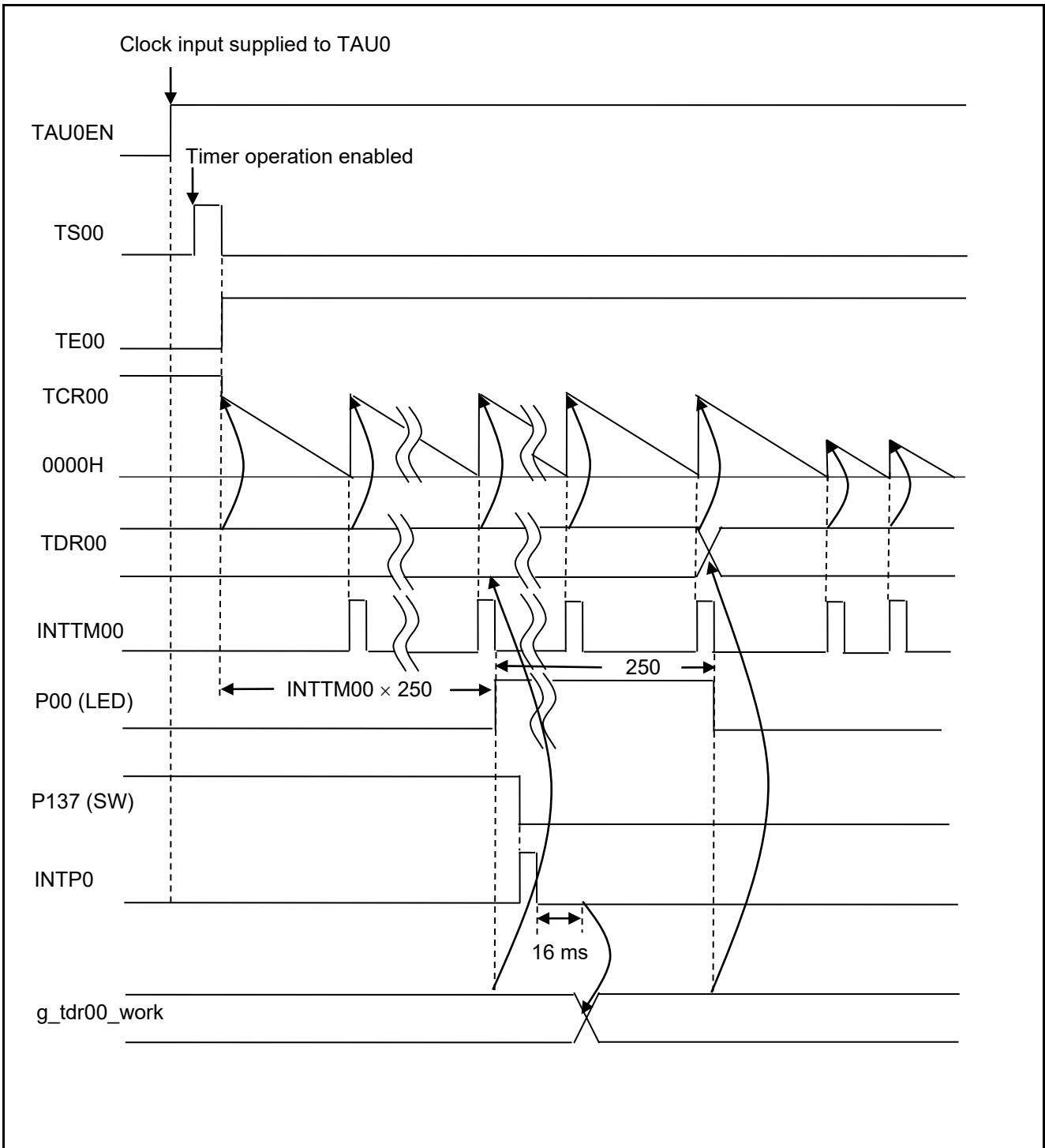


Figure 1.1 Overview of Timer Operation and Interrupts

2. Operation Check Conditions

The sample code contained in this application note has been checked under the conditions listed in the table below.

Table 2.1 Operation Check Conditions

Item	Description
Microcontroller used	RL78/G10 (R5F10Y16ASP)
Operating frequency	<ul style="list-style-type: none"> High-speed on-chip oscillator (HOCO) clock: 20 MHz CPU/peripheral hardware clock: 20 MHz
Operating voltage	5.0V (can run on a voltage range of 2.7 V to 5.5 V.) SPOR detection voltage Falling edge 2.84 V Rising edge 2.90 V
Integrated development environment (CS+)	CS+ for CC V8.07.00 from Renesas Electronics Corp.
C compiler (CS+)	CC-RL V1.11.00 from Renesas Electronics Corp.
Integrated development environment (e ² studio)	e ² studio V2022-01 (22.1.0) from Renesas Electronics Corp.
C compiler (e ² studio)	CC-RL V1.11.00 from Renesas Electronics Corp.
Integrated development environment (IAR)	IAR Embedded Workbench for Renesas RL78 V4.21.3 from IAR Systems
C compiler (IAR)	IAR C/C++ Compiler for Renesas RL78 V4.21.3.2447 from IAR Systems

3. Related Application Note

The application note that is related to this application note is listed below for reference.

- RL78/G10 Initialization CC-RL (R01AN2668E) Application Note
- RL78/G13 Timer Array Unit (Interval Timer) CC-RL (R01AN2576E) Application Note

4. Description of the Hardware

4.1 Hardware Configuration Example

Figure 4.1 shows an example of hardware configuration that is used for this application note.

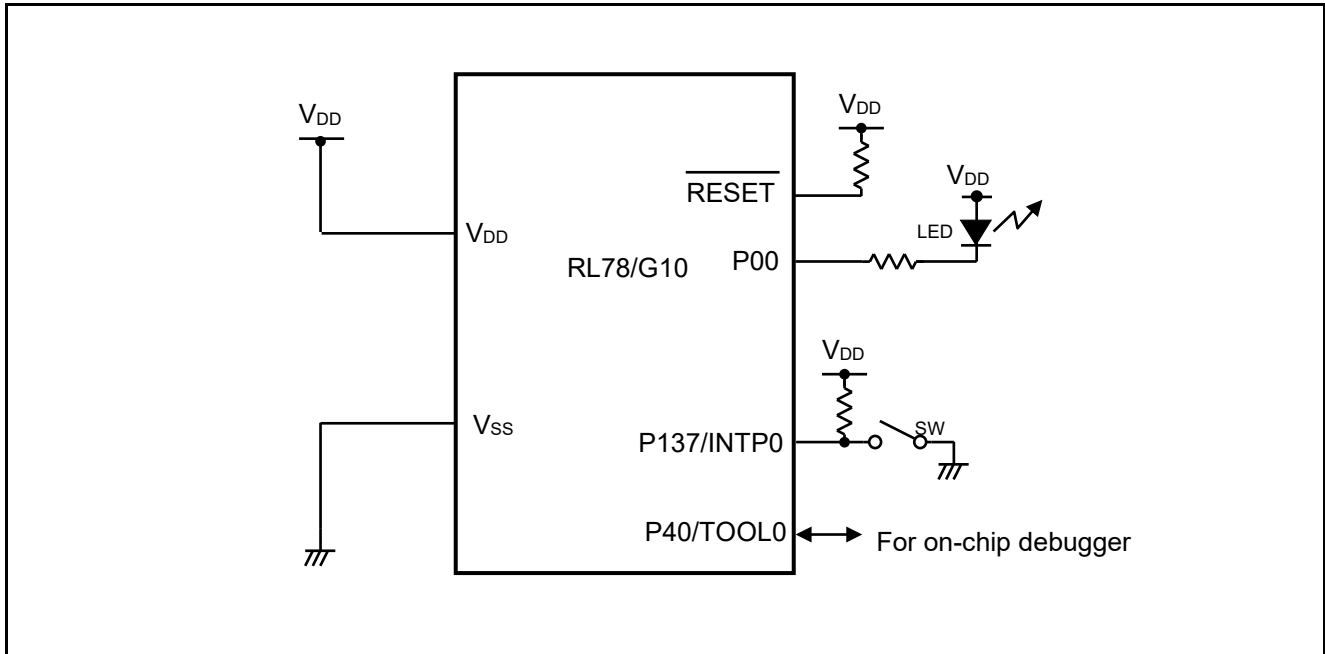


Figure 4.1 Hardware Configuration

- Cautions:
1. The purpose of this circuit is only to provide the connection outline and the circuit is simplified accordingly. When designing and implementing an actual circuit, provide proper pin treatment and make sure that the hardware's electrical specifications are met (connect the input-only ports separately to V_{DD} or V_{SS} via a resistor).
 2. V_{DD} must be held at not lower than the reset release voltage (V_{SPOR}) that is specified as SPOR.

4.2 List of Pins to be Used

Table 4.1 lists the pins to be used and their functions.

Table 4.1 Pins to be Used and Their Functions

Pin Name	I/O	Description
P00	Output	Output port for LED indications
P137/INTP0	Input	Switch (SW) input pin (external interrupt request input pin)

5. Description of the Software

5.1 Operation Outline

This application note describes how to set up the interval timer function of TAU0.

This setup is followed by operation for counting the number of timer interrupts (INTTM00) generated by the interval timer. Each time the count reaches 250, the LED indication is inverted. The timer interrupt (INTTM00) cycle time is changed according to the number of times the switch is pressed. The LED on/off cycle time is changed as follows.

800 ms → 400 ms → 200 ms → 100 ms → 800 ms → ...

(1) Initialize the TAU.

- Use the interval timer mode as the timer operation mode.
- Initialize timer data register 00 (TDR00) to 2 ms.
- Set the timer output enable register to disable operation.
- Use timer interrupts (INTTM00) from timer channel 0.

(2) Initialize the external edge detection interrupt.

- Select a falling edge as the valid edge for INTP0.
- Use INTP0 interrupts.

(3) Execute a HALT instruction to wait for timer interrupts (INTTM00).

(4) After the HALT mode is cancelled by a timer interrupt (INTTM00), the number of INTTM00 interrupts generated is counted.

(5) When the timer interrupt count reaches 250, the LED indication is inverted. The value (g_tdr00_work) in RAM for the timer data register is set in the timer data register (TDR00).

(6) INTP0 interrupt processing changes the switch input count (INTP0 interrupt count) and g_tdr00_work value.

5.2 List of Option Byte Settings

Table 5.1 summarizes the settings of the option bytes.

Table 5.1 Option Byte Settings

Address	Value	Description
000C0H	11101110B	Stops the watchdog timer operation. (Stops counting after the release of the reset state.)
000C1H	11110111B	SPOR detection voltage Falling edge 2.84 V Rising edge 2.90 V
000C2H	11111001B	HOCO: 20 MHz
000C3H	10000101B	Enables the on-chip debugging function.

5.3 List of Constants

Table 5.2 lists the constants that are used in this sample program.

Table 5.2 Constants for the Sample Program

Constant	Setting	Description
_01_INTP0_EDGE_FALLING_SEL	01h	Selects a falling edge as the valid edge of INTP0.
g_tdr00_data[]	(64000-1) (32000-1) (16000-1) (8000-1)}	TDR00 settings by number of times the switch is pressed
g_16ms_count[]	(5+1) (10+1) (20+1) (40+1)	16 ms timer count values by number of times the switch is pressed

5.4 List of Variables

Table 5.3 lists the global variable that is used by this sample program.

Table 5.3 Global Variables for the Sample Program

Type	Variable Name	Contents	Function Used
__saddr uint8_t	g_sw_counter	Switch press count	r_intc0_interrupt() main() r_invert_led()
__saddr uint16_t	g_tdr00_work	Value which is set in TDR00 each time the timer interrupt count reaches 250.	r_intc0_interrupt() main() r_invert_led()
__saddr uint8_t	g_inttm00counter	The number of timer interrupt generation	main() r_invert_led()

5.5 List of Functions

Table 5.4 lists the functions that are used by this sample program.

Table 5.4 Functions

Function Name	Outline
R_TAU0_Channel0_Start	Starts operation of TAU0 channel 0.
R_TAU0_Channel0_Interrupt()	Processes timer interrupts on TAU0 channel 0.
r_invert_led()	Counts the number of INTTM00 interrupts generated. Inverts the LED indication each time the interrupt count reaches 250.
R_INTC0_Start	Enables INTP0 interrupts.
r_intc0_interrupt	Processes INTP0 interrupts.

5.6 Function Specifications

This section describes the specifications for the functions that are used in the sample code.

[Function Name] R_TAU0_Channel0_Start

Synopsis	TAU0 channel 0 operation start
Header	r_cg_macrodriver.h r_cg_tau.h r_cg_userdefine.h
Declaration	void R_TAU0_Channel0_Start(void)
Explanation	This function unmask TAU0 channel 0 interrupts and starts count operation.
Arguments	None
Return value	None
Remarks	None

[Function Name] r_tau0_channel0_interrupt()

Synopsis	TAU0 channel 0 timer interrupt processing
Header	r_cg_macrodriver.h r_cg_tau.h r_cg_userdefine.h
Declaration	static void __near r_tau0_channel0_interrupt(void)
Explanation	This function calls the function which will invert the LED indication.
Arguments	None
Return value	None
Remarks	None

[Function Name] r_invert_led()

Synopsis	LED indication inversion processing
Header	r_cg_macrodriver.h r_cg_cgc.h r_cg_port.h r_cg_intp.h r_cg_tau.h r_cg_userdefine.h
Declaration	void r_invert_led(void)
Explanation	This function counts 250 timer interrupts (INTTM00) and then inverts the LED indication (for port latch inversion). It also changes the TDR00 setting to the value specified with g_tdr00_work.
Arguments	None
Return value	None
Remarks	None

[Function Name] R_INTC0_Start

Synopsis	INTP0 interrupt enable
Header	r_cg_intp.h
Declaration	void R_INTC0_Start(void)
Explanation	This function clears the interrupt request flag. It enables INTP0 interrupts and starts taking in the switch input.
Arguments	None
Return value	None
Remarks	None

[Function Name] r_intc0_interrupt()

Synopsis	INTP0 interrupt processing
Header	r_cg_macrodriver.h r_cg_intp.h r_cg_userdefine.h
Declaration	static void __near r_intc0_interrupt(void)
Explanation	This function processes INTP0 interrupts as they occur. It waits 16 ms and then scans P13.7 (SW input pin). When the switch is pressed, this function changes the g_tdr00_work value.
Arguments	None
Return value	None
Remarks	None

5.7 Flowcharts

Figure 5.1 shows the overall flow of the sample program described in this application note.

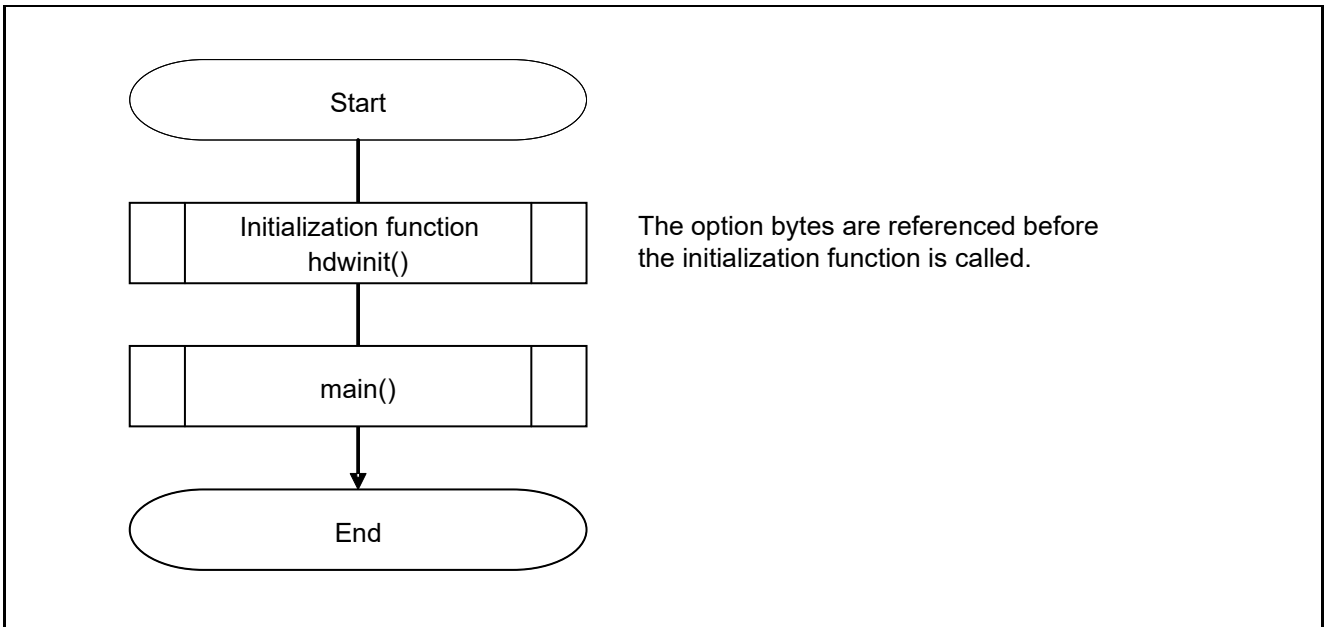


Figure 5.1 Overall Flow

Note: Startup routine is executed before and after the initialization function.

5.7.1 Initialization Function

Figure 5.2 shows the flowchart for the initialization function.

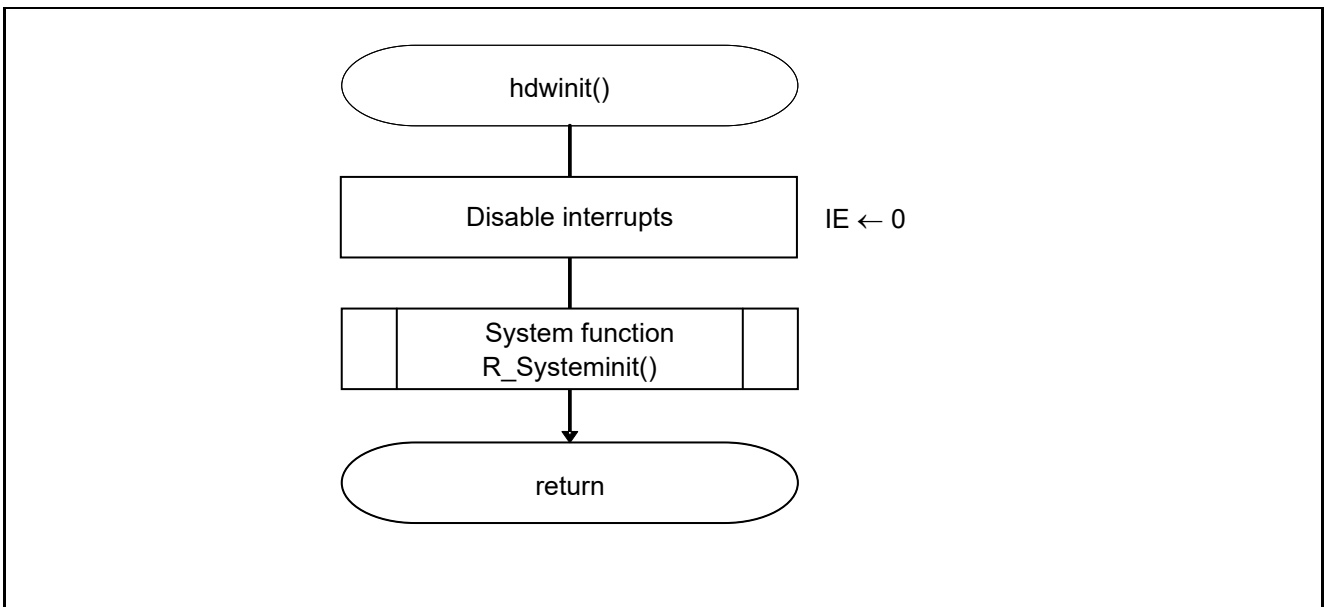


Figure 5.2 Initialization Function

5.7.2 System Function

Table 5.3 shows the flowchart for the system function.

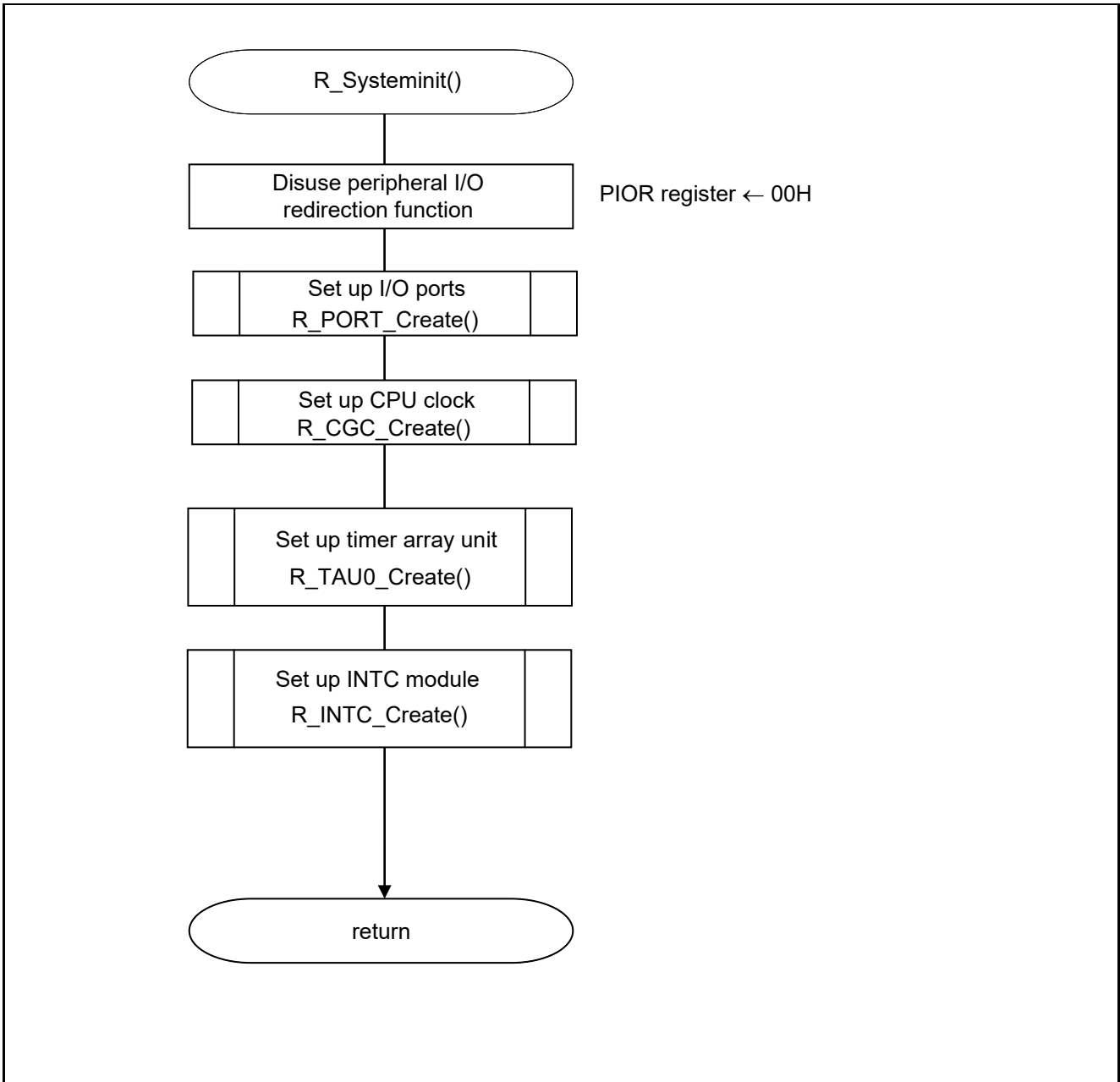


Figure 5.3 System Function

5.7.3 I/O Port Setup

Table 5.4 shows the flowchart for I/O port setup.

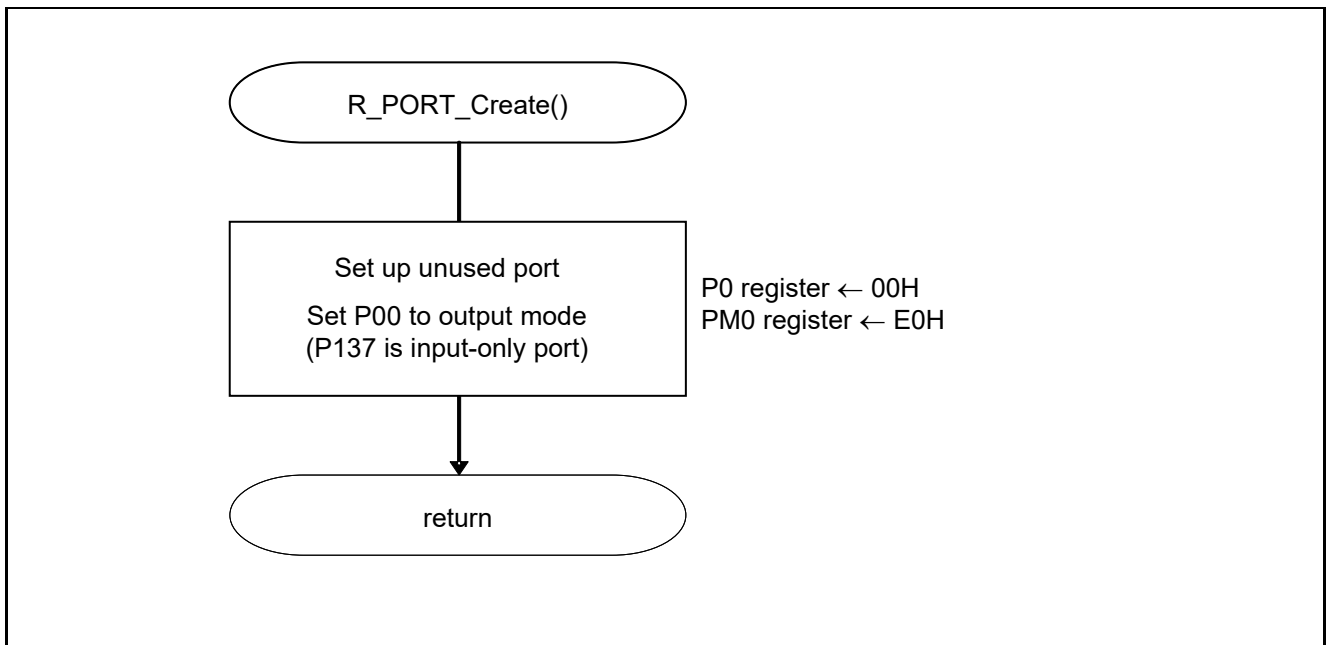


Figure 5.4 I/O Port Setup

Note: Refer to RL78/G10 User's Manual: Hardware for the configuration of the unused ports.

Caution: Provide proper treatment for unused pins so that their electrical specifications are observed. Connect each of any unused input-only ports to V_{DD} or V_{SS} via a separate resistor.

Setting up the LED port

- Port mode register0 (PM0)
Select I/O mode for the port.

Symbol: PM0

7	6	5	4	3	2	1	0
1	1	1	PM04	PM03	PM02	PM01	PM00
1	1	1	x	x	x	x	0

Bit 0

PM00	P00 pin I/O mode selection
0	Output mode (output buffer on)
1	Input mode (output buffer off)

Caution: For details on the register setup procedures, refer to RL78/G10 User's Manual: Hardware.

5.7.4 CPU Clock Setup

Figure 5.5 shows the flowchart for setting up the CPU clock.

This setup is only for 16-pin products because 10-pin products do not have the resonator connection pins for the main system clock (X1 and X2) and the external clock input pin (EXCLK). Select only the high-speed on-chip oscillator frequency in 10-pin products.

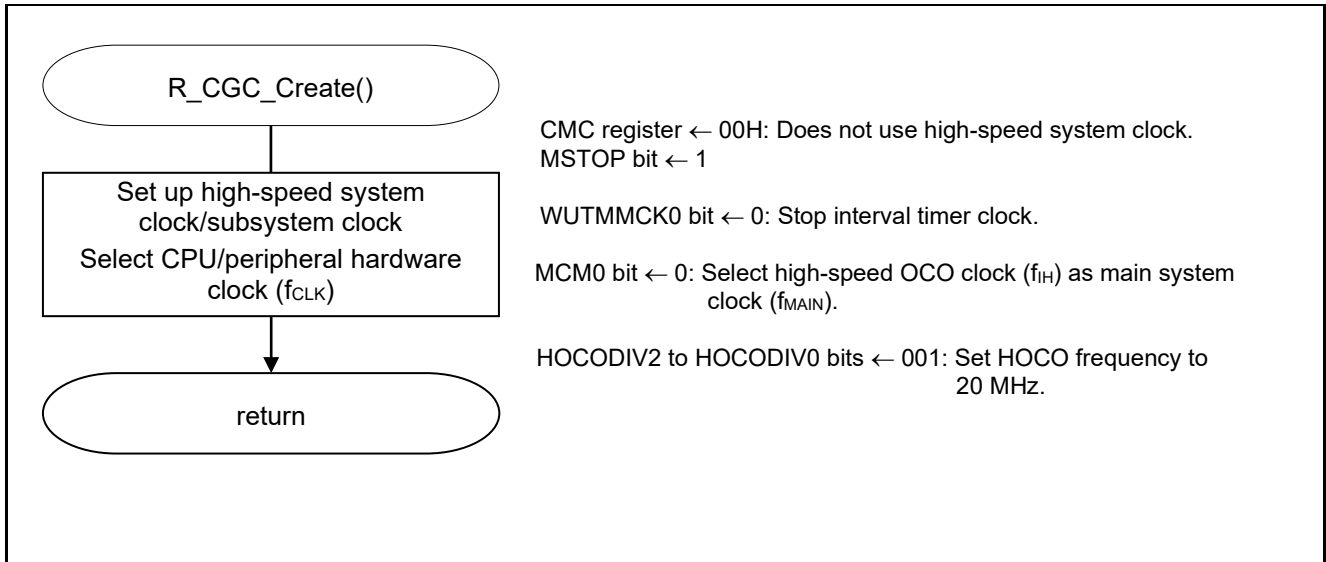


Figure 5.5 CPU Clock Setup

Caution: For details on the procedure for setting up the CPU clock (R_CGC_Create ()), refer to RL78/G10 User's Manual: Hardware.

5.7.5 Timer Array Unit Setup

Figure 5.6 shows the flowchart for setting up the timer array unit.

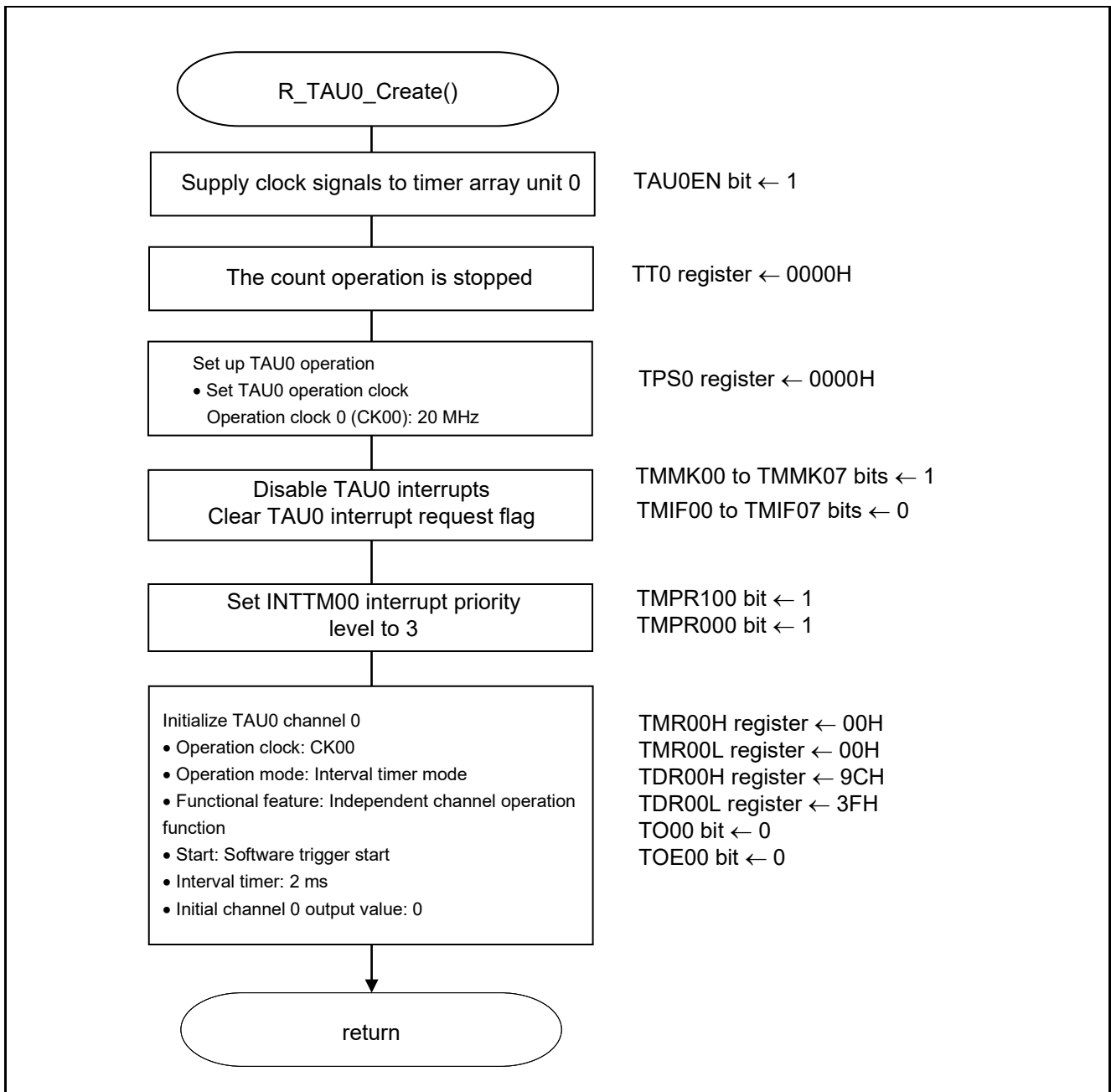


Figure 5.6 Timer Array Unit Setup

Starting clock signal supply to the timer array unit 0

- Peripheral enable register 0 (PER0)
Start supplying clock signals to the timer array unit 0.

Symbol: PER0

7	6	5	4	3	2	1	0
TMKAEN	CMPEN	ADCEN	IICA0EN	0	SAU0EN	0	TAU0EN
x	x	x	x	0	x	0	1

Bit 0

TAU0EN	Control of timer array unit 0 input clock supply
0	Stops input clock supply.
1	Enables input clock supply.

Caution: For details on the register setup procedures, refer to RL78/G10 User's Manual: Hardware.

Configuring the timer clock frequency

- Timer clock select register 0 (TPS0)
Select an operation clock for timer array unit 0.

Symbol: TPS0

7	6	5	4	3	2	1	0
PRS013	PRS012	PRS011	PRS010	PRS003	PRS002	PRS001	PRS000
x	x	x	x	0	0	0	0

Bits 3 to 0

PRS 003	PRS 002	PRS 001	PRS 000	Operation clock (CK00) selection					
				f_{CLK} 1.25 MHz	f_{CLK} 2.5 MHz	f_{CLK} 5 MHz	f_{CLK} 10 MHz	f_{CLK} 20 MHz	
0	0	0	0	f_{CLK}	1.25 MHz	2.5 MHz	5 MHz	10 MHz	20 MHz
0	0	0	1	$f_{CLK}/2$	650 kHz	1.25 MHz	2.5 MHz	5 MHz	10 MHz
0	0	1	0	$f_{CLK}/2^2$	313 kHz	650 kHz	1.25 MHz	2.5 MHz	5 MHz
0	0	1	1	$f_{CLK}/2^3$	156 kHz	313 kHz	650 kHz	1.25 MHz	2.5 MHz
0	1	0	0	$f_{CLK}/2^4$	78.1 kHz	156 kHz	313 kHz	650 kHz	1.25 MHz
0	1	0	1	$f_{CLK}/2^5$	39.1 kHz	78.1 kHz	156 kHz	313 kHz	650 kHz
0	1	1	0	$f_{CLK}/2^6$	19.5 kHz	39.1 kHz	78.1 kHz	156 kHz	313 kHz
0	1	1	1	$f_{CLK}/2^7$	9.77 kHz	19.5 kHz	39.1 kHz	78.1 kHz	156 kHz
1	0	0	0	$f_{CLK}/2^8$	4.88 kHz	9.77 kHz	19.5 kHz	39.1 kHz	78.1 kHz
1	0	0	1	$f_{CLK}/2^9$	2.44 kHz	4.88 kHz	9.77 kHz	19.5 kHz	39.1 kHz
1	0	1	0	$f_{CLK}/2^{10}$	1.22 kHz	2.44 kHz	4.88 kHz	9.77 kHz	19.5 kHz
1	0	1	1	$f_{CLK}/2^{11}$	610 Hz	1.22 kHz	2.44 kHz	4.88 kHz	9.77 kHz
1	1	0	0	$f_{CLK}/2^{12}$	305 Hz	610 Hz	1.22 kHz	2.44 kHz	4.88 kHz
1	1	0	1	$f_{CLK}/2^{13}$	153 Hz	305 Hz	610 Hz	1.22 kHz	2.44 kHz
1	1	1	0	$f_{CLK}/2^{14}$	76.3 Hz	153 Hz	305 Hz	610 Hz	1.22 kHz
1	1	1	1	$f_{CLK}/2^{15}$	38.1 Hz	76.3 Hz	153 Hz	305 Hz	610 Hz

Caution: For details on the register setup procedures, refer to RL78/G10 User's Manual: Hardware.

Setting up channel 0 operation mode

- Timer mode register 00 (TMR00L, TMR00H)
 - Select an operation clock (f_{MCK}).
 - Select a count clock.
 - Select the software trigger start.
 - Set up the operation mode.

Symbol: TMR00H

	7	6	5	4	3	2	1	0
CKS001	0	0	CCS00	0	STS002	STS001	STS000	
	0	0	0	0	0	0	0	0

Bits 7

CKS001	Channel 0 operation clock (f_{MCK}) selection
0	Operation clock CK00 set by timer clock select register 0 (TPS0)
1	Operation clock CK01 set by timer clock select register 0 (TPS0)

Bit 4

CCS00	Channel 0 count clock (f_{TCLK}) selection
0	Operation clock (f_{MCK}) specified by the CKS000 and CKS001 bits
1	Valid edge of input signal input from the T100 pin

Caution: For details on the register setup procedures, refer to RL78/G10 User's Manual: Hardware.

Symbol: TMR00L

7	6	5	4	3	2	1	0
CKS001	CIS000	0	0	MD003	MD002	MD001	MD000
0	0	0	0	0	0	0	0

Bits 7 to 6

CIS001	CIS000	Selection of TI00 pin input valid edge
0	0	Falling edge
0	1	Rising edge
1	0	Both edges (when low-level width is measured) Start trigger: Falling edge, Capture trigger: Rising edge
1	1	Both edges (when high-level width is measured) Start trigger: Rising edge, Capture trigger: Falling edge

Caution: For details on the register setup procedures, refer to RL78/G10 User's Manual: Hardware.

Symbol: TMR00L

7	6	5	4	3	2	1	0
CKS001	CIS000	0	0	MD003	MD002	MD001	MD000
0	0	0	0	0	0	0	0

Bits 3 to 0

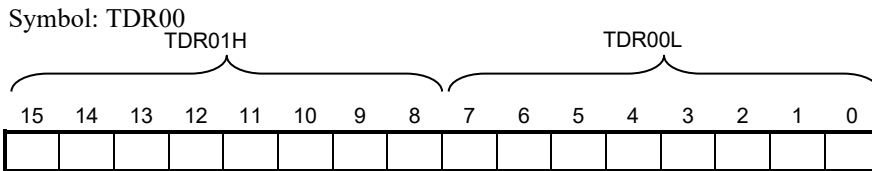
MD003	MD002	MD001	Operation mode of channel 0	Related function	TCR counting operation
0	0	0	Interval timer mode	Interval timer / Square wave output / Divider function / PWM output (master)	Counting down
0	1	0	Capture mode	Input pulse interval measurement	Counting up
0	1	1	Event counter mode	External event counter	Counting down
1	0	0	One-count mode	Delay counter / One-shot pulse output / PWM output (slave)	Counting down
1	1	0	Capture & one-count mode	Measurement of high-/low-level width of input signal	Counting up
Other than above			Setting prohibited		

Operation mode (selected with MD003 to MD001) (See the table above)	MD000	TCR counting operation
<ul style="list-style-type: none"> Interval timer mode (0, 0, 0) Capture mode (0, 1, 0) 	0	Timer interrupt is not generated when counting is started (timer output does not change, either).
	1	Timer interrupt is generated when counting is started (timer output also changes).
<ul style="list-style-type: none"> Event counter mode (0, 1, 1) 	0	Timer interrupt is not generated when counting is started (timer output does not change, either).
<ul style="list-style-type: none"> One-count mode (1, 0, 0) 	0	Start trigger is invalid during counting operation. At that time, interrupt is not generated, either.
	1	Start trigger is valid during counting operation. At that time, interrupt is also generated.
<ul style="list-style-type: none"> Capture/one-count mode (1, 1, 0) 	0	Timer interrupt is not generated when counting is started (timer output does not change, either). Start trigger is invalid during counting operation. At that time, interrupt is not generated, either.
Other than above		Setting prohibited

Caution: For details on the register setup procedures, refer to RL78/G10 User's Manual: Hardware.

Configuring the interval timer cycle time

- Timer data register 00 (TDR00L, TDR00H)
Configure the interval timer compare value.



$$\text{Timer interrupt (INTTM00) occurrence} = (\text{TDR00 setting} + 1) \times \text{Count clock cycle time}$$

Enabling the timer output

- Timer output enable register 0 (TOE0)
Enable/disable the timer output for each channel.

Symbol: TOE0

7	6	5	4	3	2	1	0
0	0	0	0	TOE03	TOE02	TOE01	TOE00
0	0	0	0	x	x	x	0

Bit 0

TOE00	Timer output enable/disable of channel 0
0	<p>Timer output is disabled. Timer operation is not applied to the TO00 bit and the output is fixed. Writing to the TO00 bit is enabled and the level set in the TO00 bit is output from the TO00 pin.</p>
1	<p>Timer output is enabled. Timer operation is applied to the TO00 bit and an output waveform is generated. Writing to the TO00 bit is ignored.</p>

Caution: For details on the register setup procedures, refer to RL78/G10 User's Manual: Hardware.

5.7.6 INTP0 Initialization

Figure 5.7 shows the flowchart for INTP0 initialization.

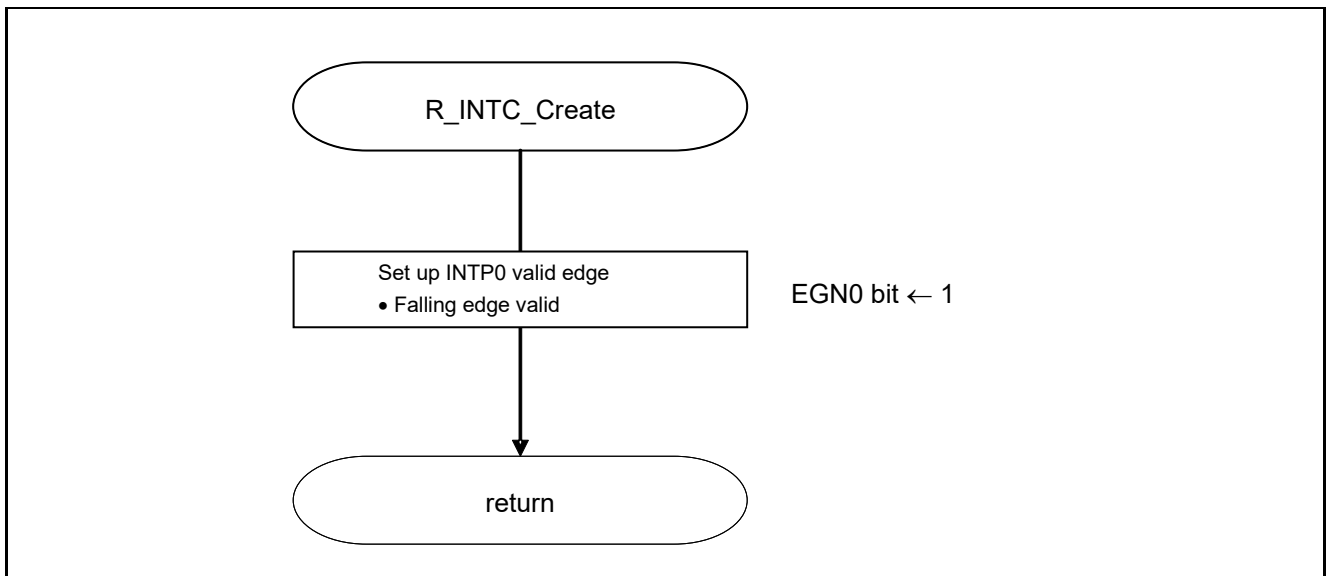


Figure 5.7 INTC Module Setup

Setup for INTP0 pin edge detection

- External interrupt rising edge enable register (EGP0)
 - External interrupt falling edge enable register (EGN0)
- Select a valid edge for INTP0

Symbol: EGP0

7	6	5	4	3	2	1	0
0	0	0	0	EGP3	EGP2	EGP1	EGP0
0	0	0	0	x	x	x	0

Symbol: EGN0

7	6	5	4	3	2	1	0
0	0	0	0	EGN3	EGN2	EGN1	EGN0
0	0	0	0	x	x	x	1

EGP0	EGN0	INTP0 pin valid edge selection
0	0	Edge detection disabled.
0	1	Falling edge
1	0	Rising edge
1	1	Both rising and falling edges

Caution: For details on the register setup procedures, refer to RL78/G10 User's Manual: Hardware.

5.7.7 Main Processing

Figure 5.8 shows the flowchart for main processing.

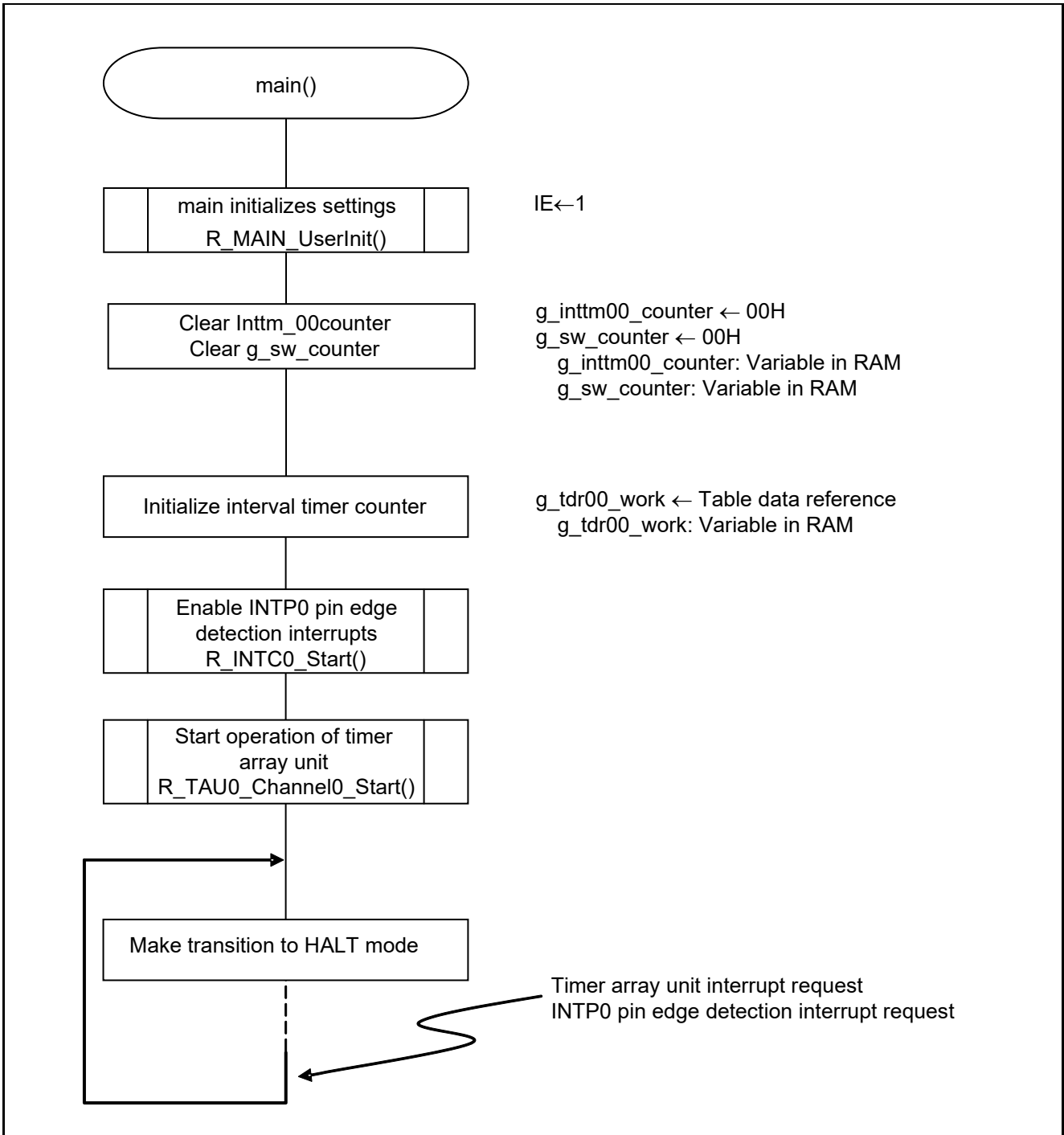


Figure 5.8 Main Processing

5.7.8 Main initializes settings

Figure 5.9 shows the flowchart for the main initializes settings.

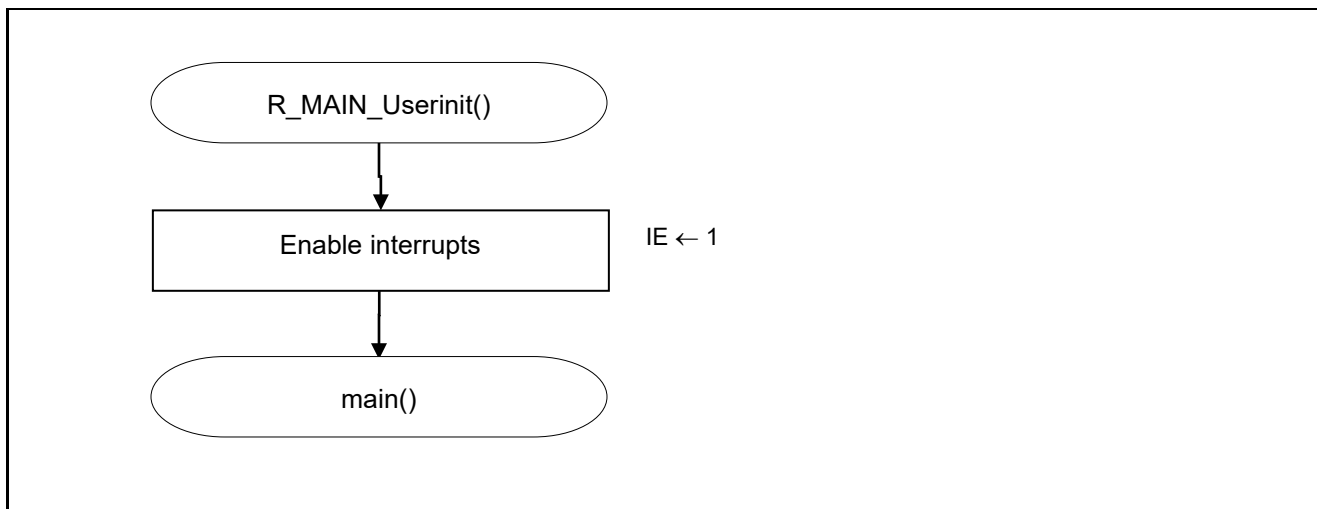


Figure 5.9 Main initializes settings

5.7.9 INTP0 Operation Start

Figure 5.10 shows the flowchart for starting INTP0 operation.

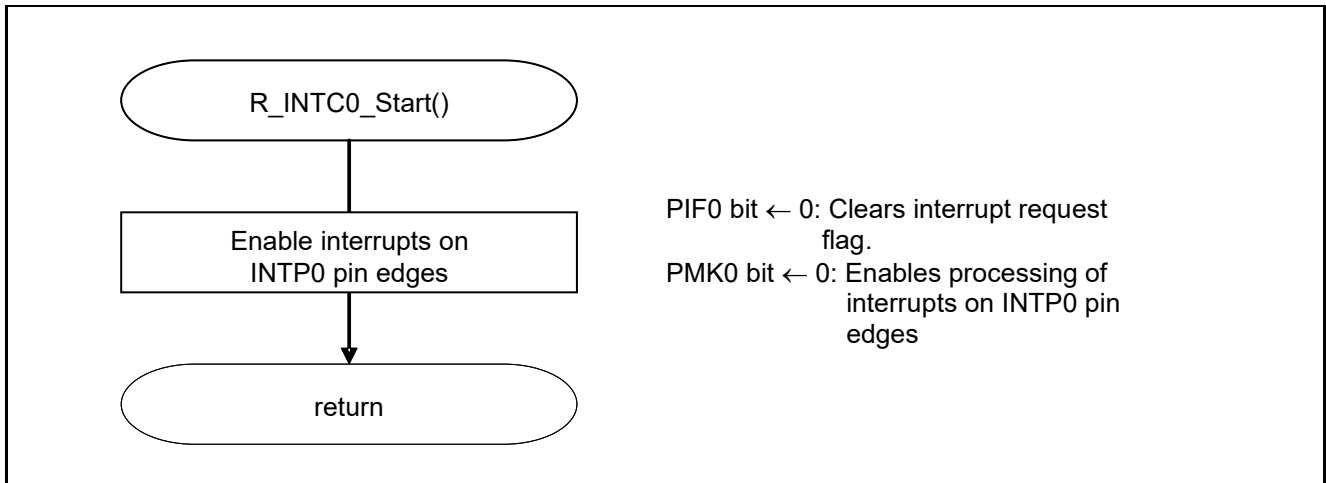


Figure 5.10 INTP0 Operation Start

Setup for INTP0 Interrupts

- Interrupt request flag register (IF0L)
Clear interrupt request flag.
- Interrupt mask flag register (MK0L)
Clear interrupt mask.

Symbol: IF0L

7	6	5	4	3	2	1	0
TMIF00	TMIF01H	SREIF0	SRIF0	STIF0 CSIF00 IICIF00	PIF1	PIF0	WDTIIF
x	x	x	x	x	x	0	x

Bit 1

PIF0	Interrupt request flag
0	No interrupt request signal is generated
1	Interrupt request is generated, interrupt request status

Symbol: MK0L

7	6	5	4	3	2	1	0
TMMK00	TMMK01H	SREMK0	SRMK0	STMK0 CDIMK00 IICMK00	PMK1	PMK0	WDTIMK
x	x	x	x	x	x	0	x

Bit 2

PMK0	Interrupt processing control
0	Enables interrupt processing.
1	Disables interrupt processing.

Caution: For detailed information about setting the registers, see RL78/G10 User’s Manual: Hardware.

5.7.10 Timer Array Unit 0 Operation Start

Figure 5.11 shows the flowchart for starting timer array unit operation.

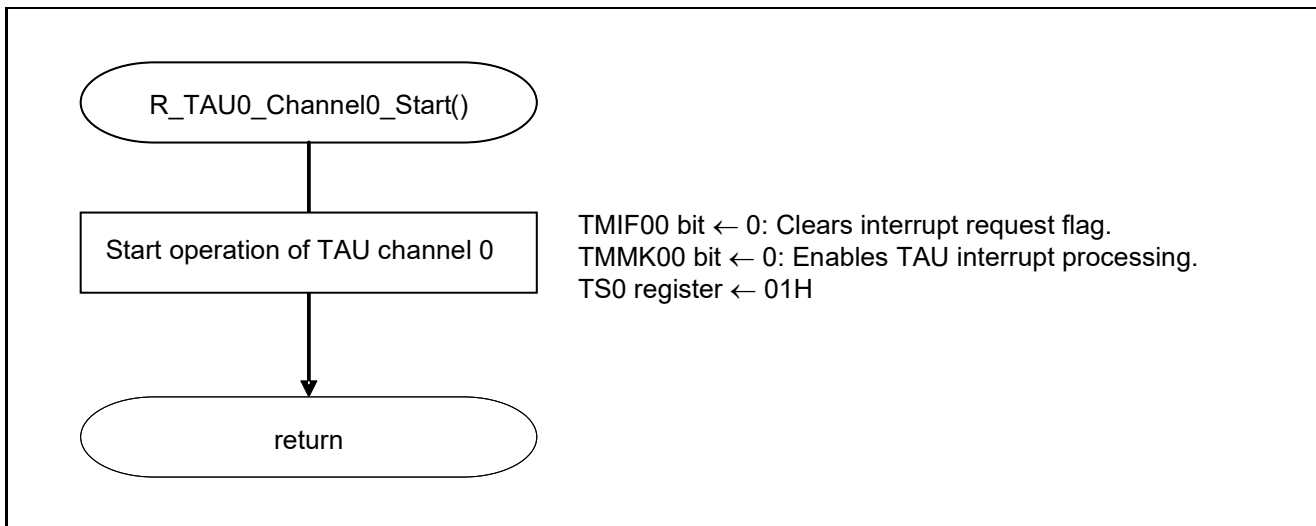


Figure 5.11 Timer Array Unit 0 Operation Start

Configuring the timer interrupt

- Interrupt request flag register (IF0L)
Clear the interrupt request flag.
- Interrupt mask flag register (MK0L)
Enable interrupt processing.

Symbol: IF0H

7	6	5	4	3	2	1	0
TMIF00	TMIF00H	SREIF0	SRIF0	STIF0 CSIF00 IICIF00	PIF1	PIF0	WDTIF
0	x	x	x	x	x	x	x

Bit 7

TMIF00	Interrupt request flag
0	No interrupt request signal is generated.
1	Interrupt request is generated, interrupt request status

Symbol: MK0H

7	6	5	4	3	2	1	0
TMMK00	TMMK00H	SREMK0	SRMK0	STMK0 CSIMK00 IICMK00	PMK1	PMK0	WDTIMK
0	x	x	x	x	x	x	x

Bit7

TMMK00	Interrupt processing control
0	Enables interrupt processing.
1	Disables interrupt processing.

Caution: For details on the register setup procedures, refer to RL78/G10 User's Manual: Hardware.

5.7.11 INTTM00 Interrupt Processing

Figure 5.12 shows the flowchart for INTTM00 interrupt processing.

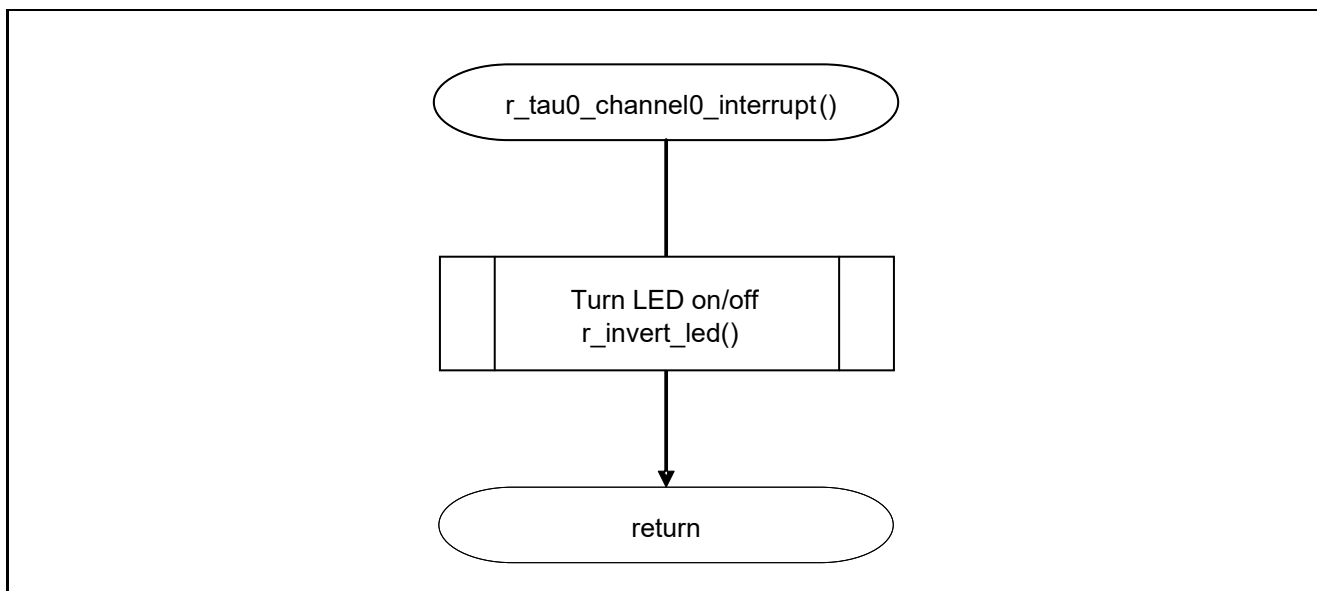


Figure 5.12 INTTM00 Interrupt Processing

5.7.12 LED Turn-On/Off Processing

Figure 5.13 shows the flowchart for LED turn-on/off processing.

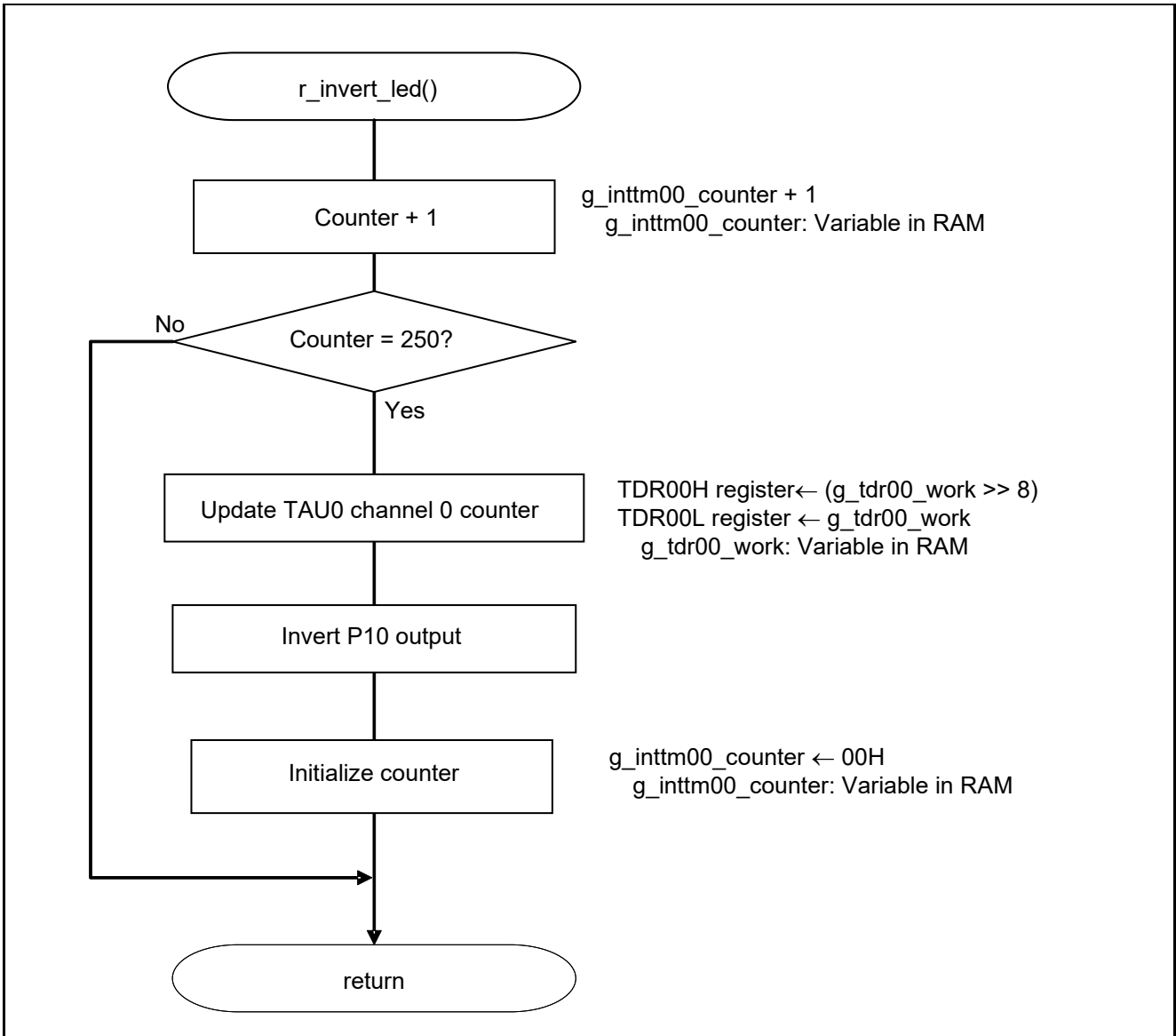


Figure 5.13 Checking Whether 800 ms Have Elapsed

5.7.13 INTP0 Interrupt Processing

Figures 5.14 and 5.15 show the flowchart for INTP0 interrupt processing.

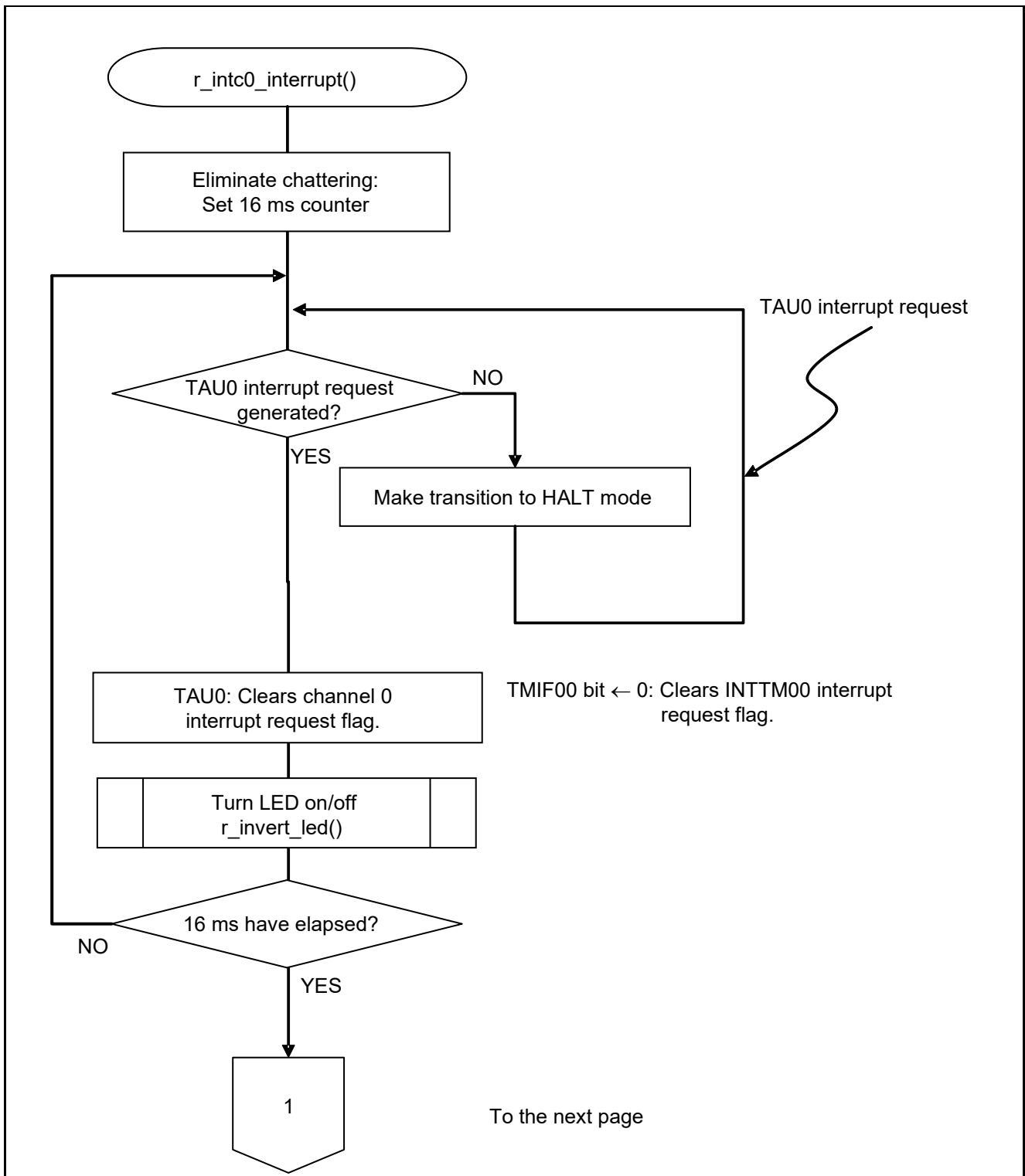


Figure 5.14 INTP0 Interrupt Processing (1/2)

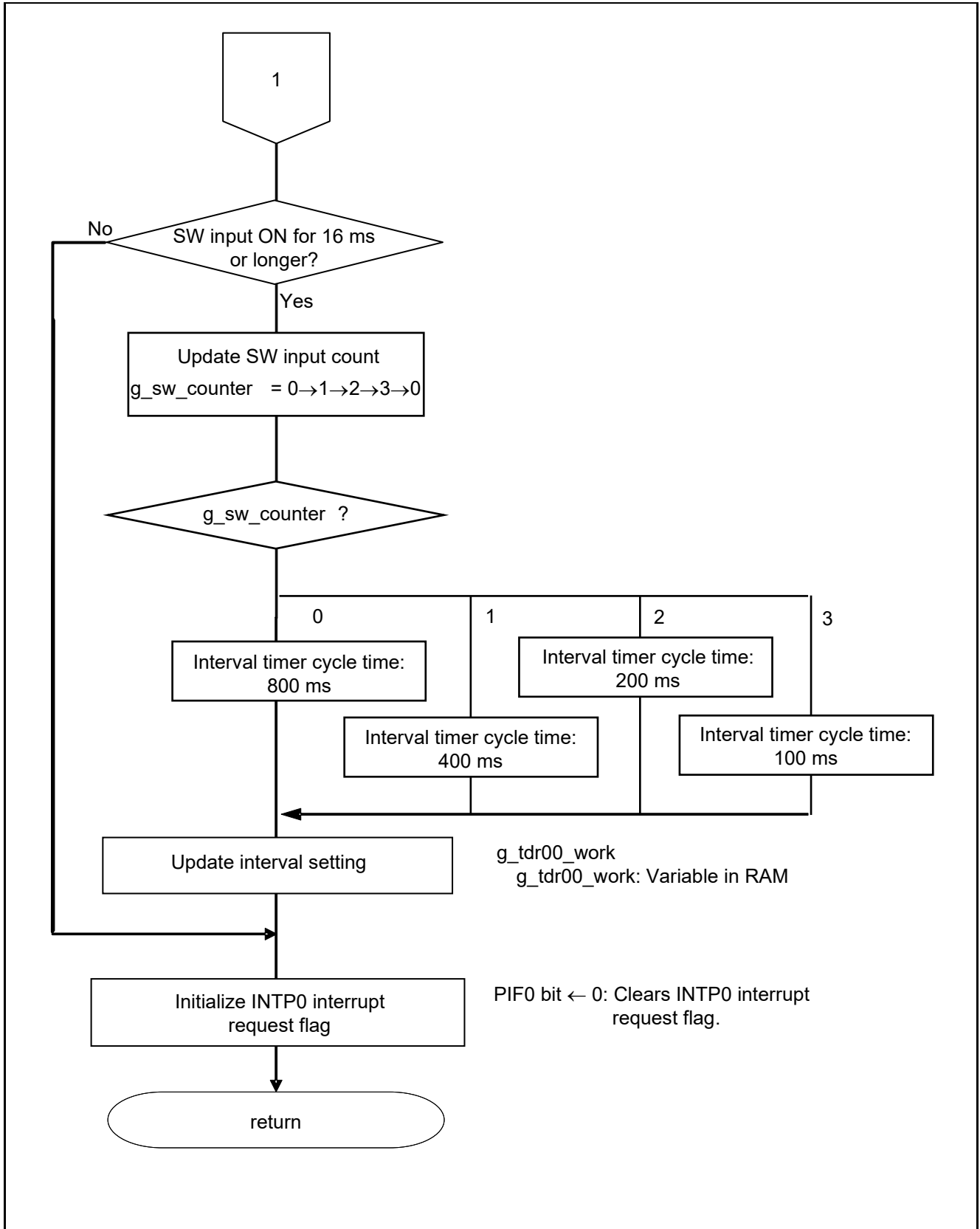


Figure 5.15 INTP0 Interrupt Processing (2/2)

6. Sample Code

The sample code is available on the Renesas Electronics Website.

7. Documents for Reference

User's Manual:

RL78/G10 User's Manual: Hardware (R01UH0384E)

RL78 Family User's Manual: Software (R01US0015E)

The latest version can be downloaded from the Renesas Electronics website.

Technical Updates/Technical News

The latest information can be downloaded from the Renesas Electronics website.

REVISION HISTORY	RL78/G10 Timer Array Unit (Interval Timer) CC-RL
-------------------------	--

Rev.	Date	Description	
		Page	Summary
1.00	May. 12, 2017	—	First edition issued
1.01	May. 11, 2022	5	Updated operation check conditions
		7	Updated operation overview

All trademarks and registered trademarks are the property of their respective owners.

General Precautions in the Handling of Microprocessing Unit and Microcontroller Unit Products

The following usage notes are applicable to all Microprocessing unit and Microcontroller unit products from Renesas. For detailed usage notes on the products covered by this document, refer to the relevant sections of the document as well as any technical updates that have been issued for the products.

1. Precaution against Electrostatic Discharge (ESD)

A strong electrical field, when exposed to a CMOS device, can cause destruction of the gate oxide and ultimately degrade the device operation. Steps must be taken to stop the generation of static electricity as much as possible, and quickly dissipate it when it occurs. Environmental control must be adequate. When it is dry, a humidifier should be used. This is recommended to avoid using insulators that can easily build up static electricity. Semiconductor devices must be stored and transported in an anti-static container, static shielding bag or conductive material. All test and measurement tools including work benches and floors must be grounded. The operator must also be grounded using a wrist strap. Semiconductor devices must not be touched with bare hands. Similar precautions must be taken for printed circuit boards with mounted semiconductor devices.

2. Processing at power-on

The state of the product is undefined at the time when power is supplied. The states of internal circuits in the LSI are indeterminate and the states of register settings and pins are undefined at the time when power is supplied. In a finished product where the reset signal is applied to the external reset pin, the states of pins are not guaranteed from the time when power is supplied until the reset process is completed. In a similar way, the states of pins in a product that is reset by an on-chip power-on reset function are not guaranteed from the time when power is supplied until the power reaches the level at which resetting is specified.

3. Input of signal during power-off state

Do not input signals or an I/O pull-up power supply while the device is powered off. The current injection that results from input of such a signal or I/O pull-up power supply may cause malfunction and the abnormal current that passes in the device at this time may cause degradation of internal elements. Follow the guideline for input signal during power-off state as described in your product documentation.

4. Handling of unused pins

Handle unused pins in accordance with the directions given under handling of unused pins in the manual. The input pins of CMOS products are generally in the high-impedance state. In operation with an unused pin in the open-circuit state, extra electromagnetic noise is induced in the vicinity of the LSI, an associated shoot-through current flows internally, and malfunctions occur due to the false recognition of the pin state as an input signal become possible.

5. Clock signals

After applying a reset, only release the reset line after the operating clock signal becomes stable. When switching the clock signal during program execution, wait until the target clock signal is stabilized. When the clock signal is generated with an external resonator or from an external oscillator during a reset, ensure that the reset line is only released after full stabilization of the clock signal. Additionally, when switching to a clock signal produced with an external resonator or by an external oscillator while program execution is in progress, wait until the target clock signal is stable.

6. Voltage application waveform at input pin

Waveform distortion due to input noise or a reflected wave may cause malfunction. If the input of the CMOS device stays in the area between V_{IL} (Max.) and V_{IH} (Min.) due to noise, for example, the device may malfunction. Take care to prevent chattering noise from entering the device when the input level is fixed, and also in the transition period when the input level passes through the area between V_{IL} (Max.) and V_{IH} (Min.).

7. Prohibition of access to reserved addresses

Access to reserved addresses is prohibited. The reserved addresses are provided for possible future expansion of functions. Do not access these addresses as the correct operation of the LSI is not guaranteed.

8. Differences between products

Before changing from one product to another, for example to a product with a different part number, confirm that the change will not lead to problems. The characteristics of a microprocessing unit or microcontroller unit products in the same group but having a different part number might differ in terms of internal memory capacity, layout pattern, and other factors, which can affect the ranges of electrical characteristics, such as characteristic values, operating margins, immunity to noise, and amount of radiated noise. When changing to a product with a different part number, implement a system-evaluation test for the given product.

Notice

1. Descriptions of circuits, software and other related information in this document are provided only to illustrate the operation of semiconductor products and application examples. You are fully responsible for the incorporation or any other use of the circuits, software, and information in the design of your product or system. Renesas Electronics disclaims any and all liability for any losses and damages incurred by you or third parties arising from the use of these circuits, software, or information.
2. Renesas Electronics hereby expressly disclaims any warranties against and liability for infringement or any other claims involving patents, copyrights, or other intellectual property rights of third parties, by or arising from the use of Renesas Electronics products or technical information described in this document, including but not limited to, the product data, drawings, charts, programs, algorithms, and application examples.
3. No license, express, implied or otherwise, is granted hereby under any patents, copyrights or other intellectual property rights of Renesas Electronics or others.
4. You shall be responsible for determining what licenses are required from any third parties, and obtaining such licenses for the lawful import, export, manufacture, sales, utilization, distribution or other disposal of any products incorporating Renesas Electronics products, if required.
5. You shall not alter, modify, copy, or reverse engineer any Renesas Electronics product, whether in whole or in part. Renesas Electronics disclaims any and all liability for any losses or damages incurred by you or third parties arising from such alteration, modification, copying or reverse engineering.
6. Renesas Electronics products are classified according to the following two quality grades: "Standard" and "High Quality". The intended applications for each Renesas Electronics product depends on the product's quality grade, as indicated below.

"Standard": Computers; office equipment; communications equipment; test and measurement equipment; audio and visual equipment; home electronic appliances; machine tools; personal electronic equipment; industrial robots; etc.

"High Quality": Transportation equipment (automobiles, trains, ships, etc.); traffic control (traffic lights); large-scale communication equipment; key financial terminal systems; safety control equipment; etc.

Unless expressly designated as a high reliability product or a product for harsh environments in a Renesas Electronics data sheet or other Renesas Electronics document, Renesas Electronics products are not intended or authorized for use in products or systems that may pose a direct threat to human life or bodily injury (artificial life support devices or systems; surgical implantations; etc.), or may cause serious property damage (space system; undersea repeaters; nuclear power control systems; aircraft control systems; key plant systems; military equipment; etc.). Renesas Electronics disclaims any and all liability for any damages or losses incurred by you or any third parties arising from the use of any Renesas Electronics product that is inconsistent with any Renesas Electronics data sheet, user's manual or other Renesas Electronics document.
7. No semiconductor product is absolutely secure. Notwithstanding any security measures or features that may be implemented in Renesas Electronics hardware or software products, Renesas Electronics shall have absolutely no liability arising out of any vulnerability or security breach, including but not limited to any unauthorized access to or use of a Renesas Electronics product or a system that uses a Renesas Electronics product. RENESAS ELECTRONICS DOES NOT WARRANT OR GUARANTEE THAT RENESAS ELECTRONICS PRODUCTS, OR ANY SYSTEMS CREATED USING RENESAS ELECTRONICS PRODUCTS WILL BE INVULNERABLE OR FREE FROM CORRUPTION, ATTACK, VIRUSES, INTERFERENCE, HACKING, DATA LOSS OR THEFT, OR OTHER SECURITY INTRUSION ("Vulnerability Issues"). RENESAS ELECTRONICS DISCLAIMS ANY AND ALL RESPONSIBILITY OR LIABILITY ARISING FROM OR RELATED TO ANY VULNERABILITY ISSUES. FURTHERMORE, TO THE EXTENT PERMITTED BY APPLICABLE LAW, RENESAS ELECTRONICS DISCLAIMS ANY AND ALL WARRANTIES, EXPRESS OR IMPLIED, WITH RESPECT TO THIS DOCUMENT AND ANY RELATED OR ACCOMPANYING SOFTWARE OR HARDWARE, INCLUDING BUT NOT LIMITED TO THE IMPLIED WARRANTIES OF MERCHANTABILITY, OR FITNESS FOR A PARTICULAR PURPOSE.
8. When using Renesas Electronics products, refer to the latest product information (data sheets, user's manuals, application notes, "General Notes for Handling and Using Semiconductor Devices" in the reliability handbook, etc.), and ensure that usage conditions are within the ranges specified by Renesas Electronics with respect to maximum ratings, operating power supply voltage range, heat dissipation characteristics, installation, etc. Renesas Electronics disclaims any and all liability for any malfunctions, failure or accident arising out of the use of Renesas Electronics products outside of such specified ranges.
9. Although Renesas Electronics endeavors to improve the quality and reliability of Renesas Electronics products, semiconductor products have specific characteristics, such as the occurrence of failure at a certain rate and malfunctions under certain use conditions. Unless designated as a high reliability product or a product for harsh environments in a Renesas Electronics data sheet or other Renesas Electronics document, Renesas Electronics products are not subject to radiation resistance design. You are responsible for implementing safety measures to guard against the possibility of bodily injury, injury or damage caused by fire, and/or danger to the public in the event of a failure or malfunction of Renesas Electronics products, such as safety design for hardware and software, including but not limited to redundancy, fire control and malfunction prevention, appropriate treatment for aging degradation or any other appropriate measures. Because the evaluation of microcomputer software alone is very difficult and impractical, you are responsible for evaluating the safety of the final products or systems manufactured by you.
10. Please contact a Renesas Electronics sales office for details as to environmental matters such as the environmental compatibility of each Renesas Electronics product. You are responsible for carefully and sufficiently investigating applicable laws and regulations that regulate the inclusion or use of controlled substances, including without limitation, the EU RoHS Directive, and using Renesas Electronics products in compliance with all these applicable laws and regulations. Renesas Electronics disclaims any and all liability for damages or losses occurring as a result of your noncompliance with applicable laws and regulations.
11. Renesas Electronics products and technologies shall not be used for or incorporated into any products or systems whose manufacture, use, or sale is prohibited under any applicable domestic or foreign laws or regulations. You shall comply with any applicable export control laws and regulations promulgated and administered by the governments of any countries asserting jurisdiction over the parties or transactions.
12. It is the responsibility of the buyer or distributor of Renesas Electronics products, or any other party who distributes, disposes of, or otherwise sells or transfers the product to a third party, to notify such third party in advance of the contents and conditions set forth in this document.
13. This document shall not be reprinted, reproduced or duplicated in any form, in whole or in part, without prior written consent of Renesas Electronics.
14. Please contact a Renesas Electronics sales office if you have any questions regarding the information contained in this document or Renesas Electronics products.

(Note1) "Renesas Electronics" as used in this document means Renesas Electronics Corporation and also includes its directly or indirectly controlled subsidiaries.

(Note2) "Renesas Electronics product(s)" means any product developed or manufactured by or for Renesas Electronics.

(Rev.5.0-1 October 2020)

Corporate Headquarters

TOYOSU FORESIA, 3-2-24 Toyosu,
Koto-ku, Tokyo 135-0061, Japan
www.renesas.com

Trademarks

Renesas and the Renesas logo are trademarks of Renesas Electronics Corporation. All trademarks and registered trademarks are the property of their respective owners.

Contact information

For further information on a product, technology, the most up-to-date version of a document, or your nearest sales office, please visit:
www.renesas.com/contact/.