

RL78/G10

R01AN2992EJ0101

Rev. 1.01

A/D Conversion CC-RL

Oct. 05, 2016

Introduction

This application note describes the procedures for performing A/D conversion on analog voltages using the RL78/G10's A/D converter.

The sample program discussed in this application note performs data conversion on the A/D conversion results (shifting the data right by six bits) and places the converted values in the internal RAM of the RL78/G10.

Target Device

RL78/G10

When applying the sample program covered in this application note to another microcomputer, modify the program according to the specifications for the target microcomputer and conduct an extensive evaluation of the modified program.

Contents

1. Specification	3
2. Operation Check Conditions	4
3. Related Application Notes	4
4. Description of the Hardware	5
4.1 Hardware Configuration Example	5
4.2 List of Pins to be Used	5
5. Description of the Software	6
5.1 Operation Outline	6
5.2 List of Option Byte Settings.....	7
5.3 List of Variables	7
5.4 List of Functions (Subroutines)	8
5.5 Function Specifications	8
5.6 Flowcharts	9
5.6.1 CPU Initialization Function	10
5.6.2 I/O Port Setup Function	11
5.6.3 Clock Generation Circuit Setup	12
5.6.4 A/D Converter Setup	13
5.6.5 Main Processing	19
5.6.6 A/D Conversion Start Processing	20
6. Sample Code	22
7. Documents for Reference	22
Revision Record	23
General Precautions in the Handling of MPU/MCU Products	24

1. Specification

This application note provides examples of using the software trigger and sequential conversion modes of the A/D converter. The analog signal input from the P01/ANI0 pin is converted to digital values. Subsequently, the conversion result is subjected to data conversion (shifting the data right by six bits) and the result is stored in the RL78/G10's internal RAM.

Table 1.1 lists the peripheral function to be used and its uses. Figure 1.1 shows the outline of the conversion operation of the A/D converter.

Table 1.1 Peripheral Function to be Used and its Use

Peripheral Function	Use
A/D converter	Converts the level of the analog signal input from the P01/ANI0 pin.

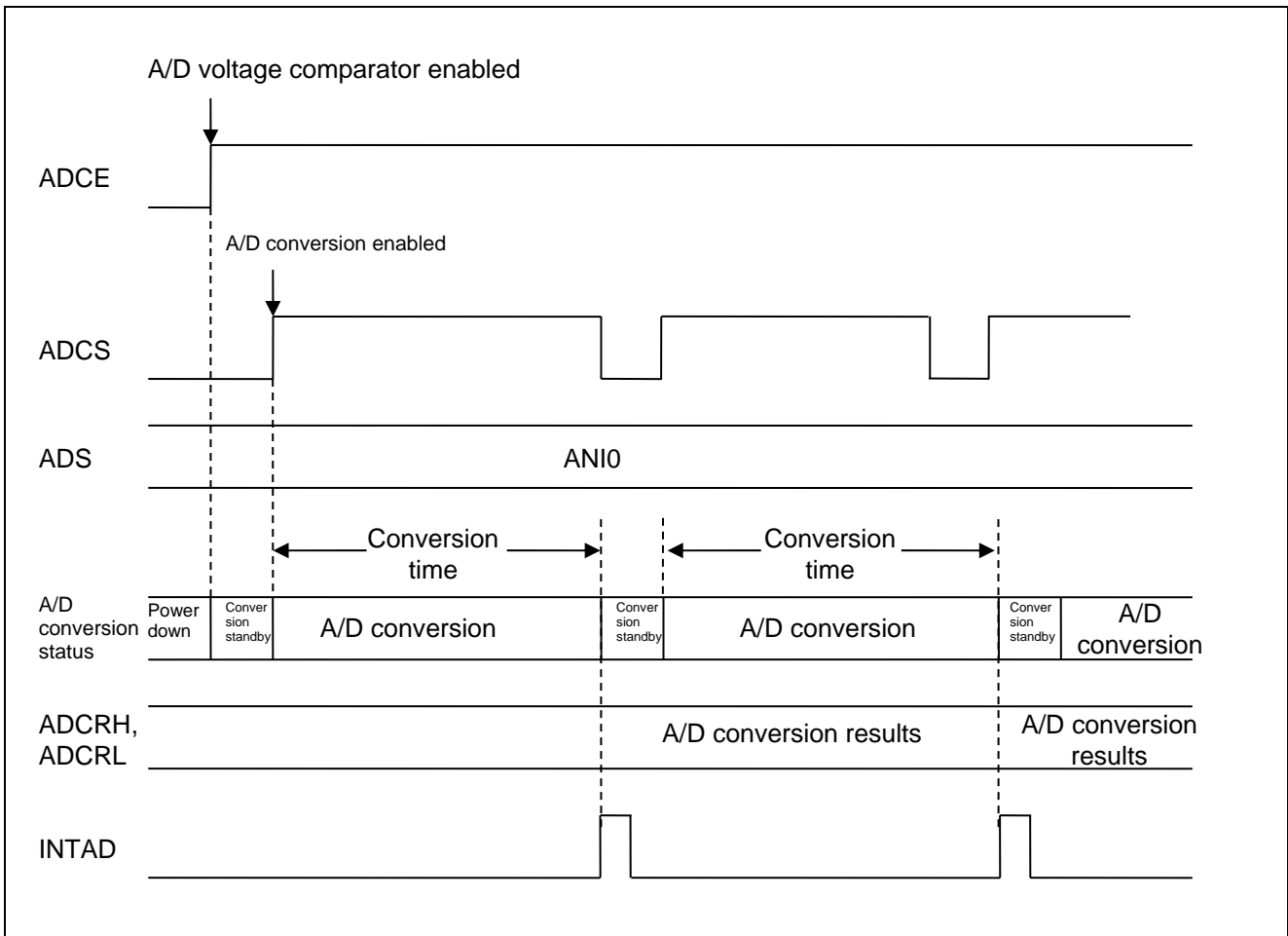


Figure 1.1 Outline of the A/D Converter Conversion Processing

2. Operation Check Conditions

The sample code contained in this application note has been checked under the conditions listed in the table below.

Table 2.1 Operation Check Conditions

Item	Description
Microcontroller used	RL78/G10 (R5F10Y16ASP)
Operating frequency	<ul style="list-style-type: none"> • High-speed on-chip oscillator (HOCO) clock: 20 MHz • CPU/peripheral hardware clock: 20 MHz
Operating voltage	5.0 V (can run at a voltage range of 2.9 V to 5.5 V.) SPOR detection voltage When reset occurs: $V_{DD} < 2.84$ V When reset is released: $V_{DD} \geq 2.90$ V
Integrated development environment (CS+)	CS+ V3.01.00 from Renesas Electronics Corp.
Assembler (CS+)	CC-RL V1.01.00 from Renesas Electronics Corp.
Integrated development environment (e ² studio)	e2 studio V4.0.0.26 from Renesas Electronics Corp.
Assembler (e ² studio)	CC-RL V1.01.00 from Renesas Electronics Corp.
Board to be used	RL78/G10 target board (QB-R5F10Y16-TB)

3. Related Application Notes

The application notes that are related to this application note are listed below for reference.

RL78/G10 Initialization (R01AN2668E) Application Note

4. Description of the Hardware

4.1 Hardware Configuration Example

Figure 4.1 shows an example of hardware configuration that is used for this application note.

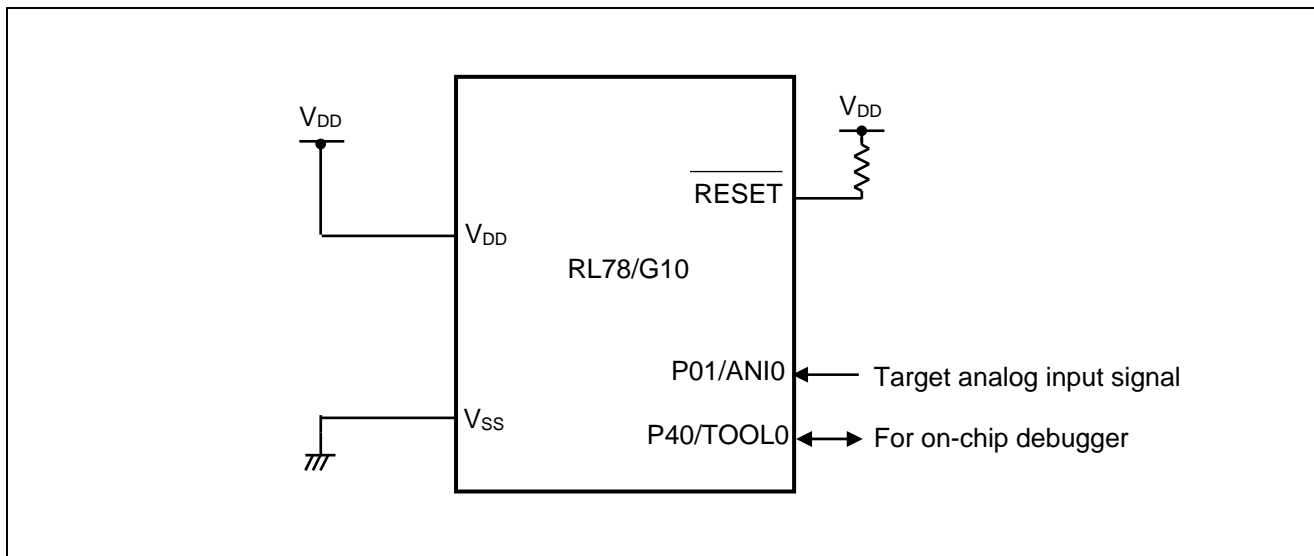


Figure 4.1 Hardware Configuration

- Cautions**
- 1 The purpose of this circuit is only to provide the connection outline and the circuit is simplified accordingly. When designing and implementing an actual circuit, provide proper pin treatment and make sure that the hardware's electrical characteristics conditions are met (connect the input-dedicated ports separately to V_{DD} or V_{SS} via a resistor).
 - 2 V_{DD} must be held at not lower than the reset release voltage (V_{SPOR}) that is specified as SPOR.

4.2 List of Pins to be Used

Table 4.1 lists the pins to be used and their function.

Table 4.1 Pins to be Used and their Function

Pin Name	I/O	Description
P01/ANI0	Input	A/D converter analog input port

5. Description of the Software

5.1 Operation Outline

This sample code performs A/D conversion on the analog voltage that is input to pin ANI0 using the A/D converter. It awaits the end of A/D conversion in HALT mode. After A/D conversion is completed, the sample code shifts the result of A/D conversion right by six bits and places the result in the internal RAM of the RL78/G10.

(1) Initialize the A/D converter.

<Setup conditions>

- Pin P01/ANI0 is used for the analog input.
- Ten-bit resolution is used for the A/D conversion resolution.

(2) The sample program sets the ADCS bit of the ADM0 register to 1 (A/D conversion start) to start A/D conversion, executes the HALT instruction, places the chip in the HALT mode, and waits for an A/D conversion end interrupt.

(3) After completing the A/D conversion of the voltage input from pin ANI0, the A/D converter transfers the result of A/D conversion to the ADCRH and ADCRL registers and generates an A/D conversion end interrupt.

(4) On release from the HALT mode in response to the A/D conversion end interrupt, the sample program reads the result of A/D conversion from the ADCRH and ADCRL registers, shifts the result right by six bits, and stores the shifted data in the internal RAM of the RL78/G10.

(5) The sample program sets the ADCS bit of the ADM0 register to 1 (A/D conversion start) to start A/D conversion, places the chip in the HALT mode again, and waits for an A/D conversion end interrupt.

5.2 List of Option Byte Settings

Table 5.1 summarizes the settings of the option bytes.

Table 5.1 Option Byte Settings

Address	Value	Description
000C0H	11101110B	Stops the watchdog timer operation. (Stops counting after the release of the reset state.)
000C1H	11110111B	SPOR detection voltage When reset occurs: $V_{DD} < 2.84\text{ V}$ When reset is released: $V_{DD} \geq 2.90\text{ V}$
000C2H	11111001B	HOCO: 20 MHz
000C3H	10000101B	Enables the on-chip debugging function.

5.3 List of Variables

Table 5.2 lists the variable that is used by this sample program.

Table 5.2 Global Variable

Type	Variable Name	Contents	Function Used
16-bit variable	RADCBUF	Area for storing the A/D conversion results	main

5.4 List of Functions (Subroutines)

Table 5.3 lists the functions (subroutines) that are used by this sample program.

Table 5.3 List of Functions (Subroutines)

Function Name	Outline
SINIADC	Initializes A/D converter
SSTARTAD	Starts A/D conversion

5.5 Function Specifications

This section describes the specifications for the functions that are used in the sample code.

[Function Name] RESET_START

Synopsis	Initializes the CPU at reset start.
Explanation	Calls the main function after setting the stack pointer and initializing the hardware.
Arguments	None
Return value	None
Remarks	None

[Function Name] SINIADC

Synopsis	Initializes the A/D converter.
Explanation	Sets the conversion time, resolution (10-bit conversion), and analog input channels of the A/D converter.
Arguments	None
Return value	None
Remarks	None

[Function Name] SSTARTAD

Synopsis	Starts A/D conversion.
Explanation	Enables A/D conversion end interrupts and starts A/D conversion processing.
Arguments	None
Return value	None
Remarks	None

5.6 Flowcharts

Figure 5.1 shows the overall flow of the sample program described in this application note.

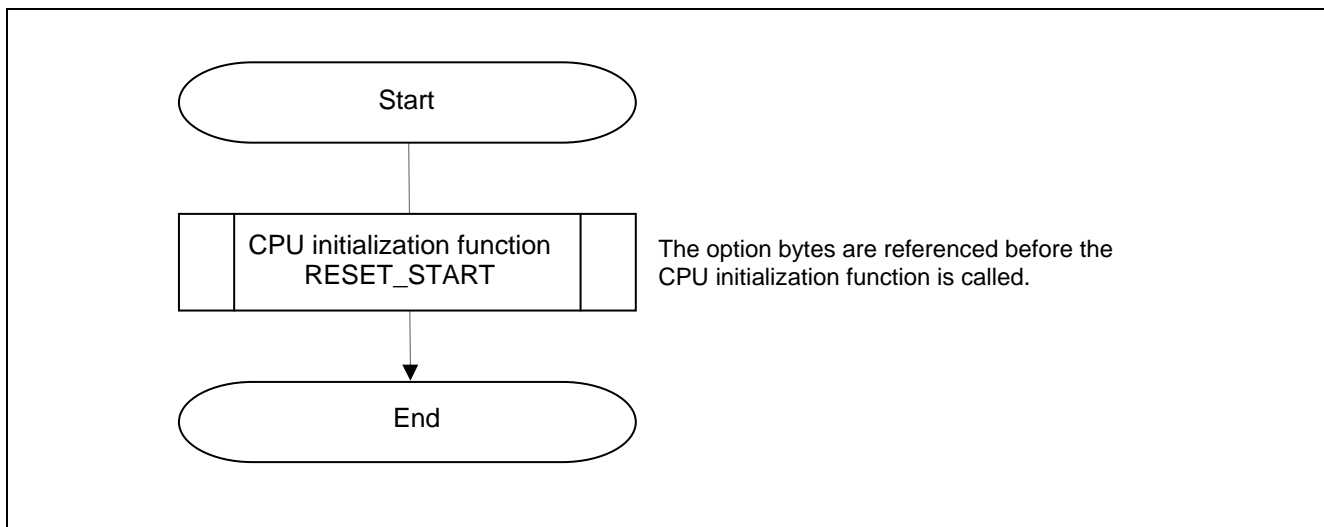


Figure 5.1 Overall Flow

5.6.1 CPU Initialization Function

Figure 5.2 shows the flowchart for the CPU initialization function.

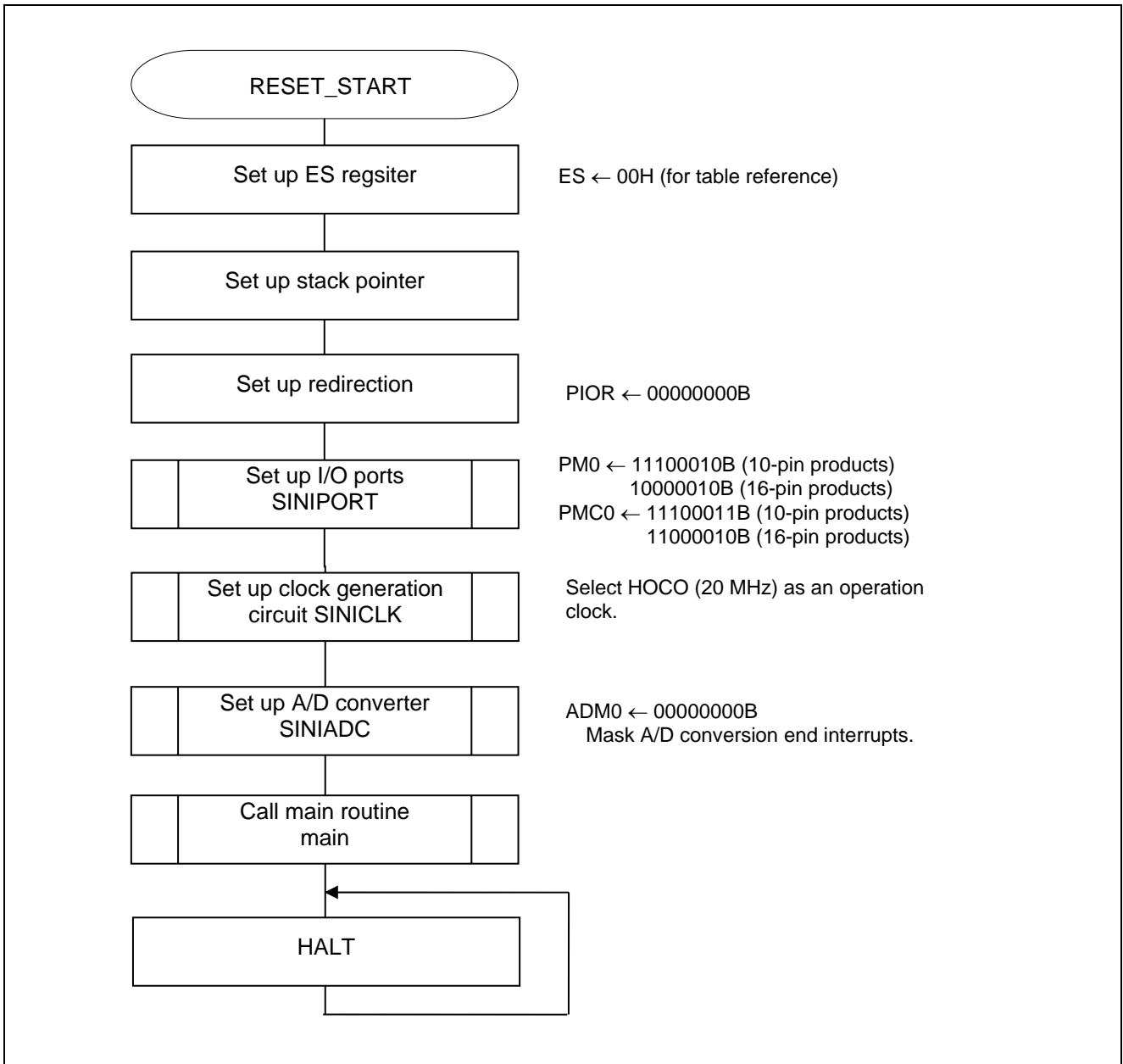


Figure 5.2 CPU Initialization Function

5.6.2 I/O Port Setup Function

Figure 5.3 shows the flowchart for the I/O port setup function.

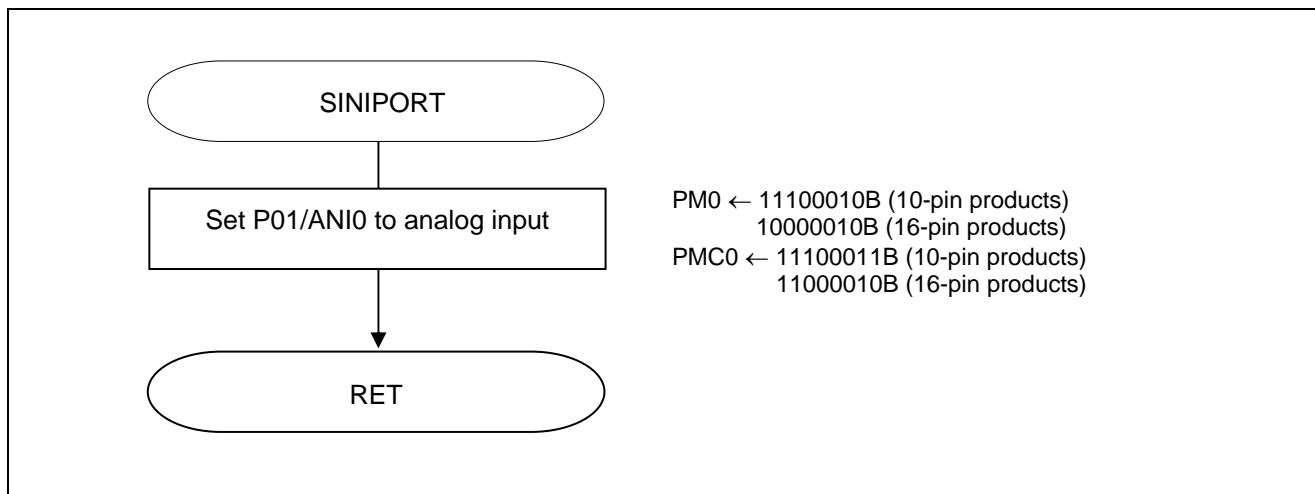


Figure 5.3 I/O Port Setup Function

Note Refer to the section entitled "Flowcharts" in RL78/G10 Initialization Application Note (R01AN2668E) for the configuration of the unused ports.

Caution Provide proper treatment for unused pins so that their electrical specifications are observed. Connect each of any unused input-only ports to V_{DD} or V_{SS} via separate resistors.

5.6.3 Clock Generation Circuit Setup

Figure 5.4 shows the flowchart for clock generation circuit setup. Because 10-pin products do not have the resonator connection pins for the main system clock (X1 and X2) and the external clock input pin (EXCLK), only the high-speed on-chip oscillator frequency should be set in 10-pin products.

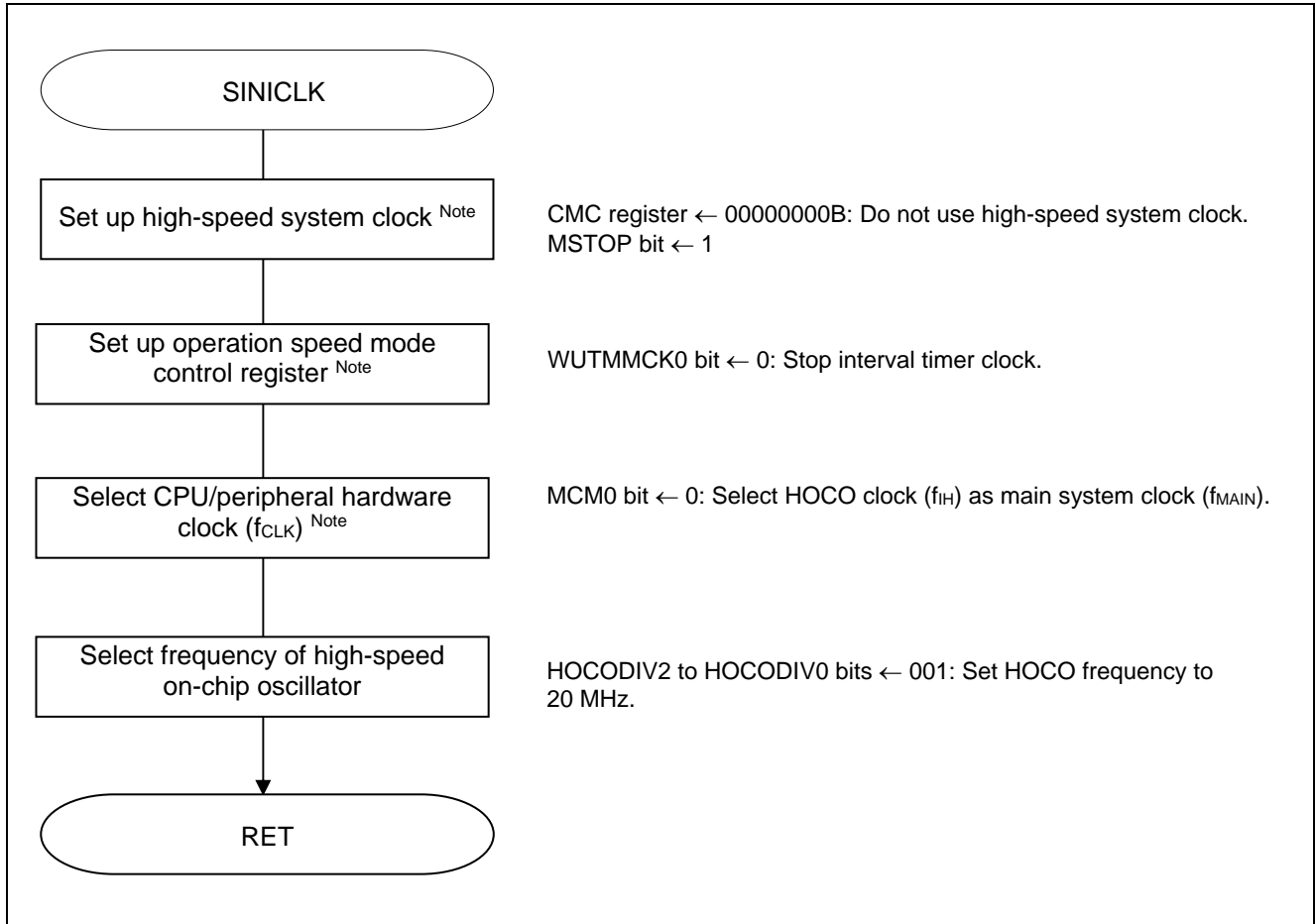


Figure 5.4 Clock Generation Circuit Setup

Note 16-pin products only.

Caution For details on the procedure for setting up the clock generation circuit (SINICK), refer to the section entitled "Flowcharts" in RL78/G10 Initialization Application Note (R01AN2668E).

5.6.4 A/D Converter Setup

Figure 5.5 shows the flowchart for setting up the A/D converter.

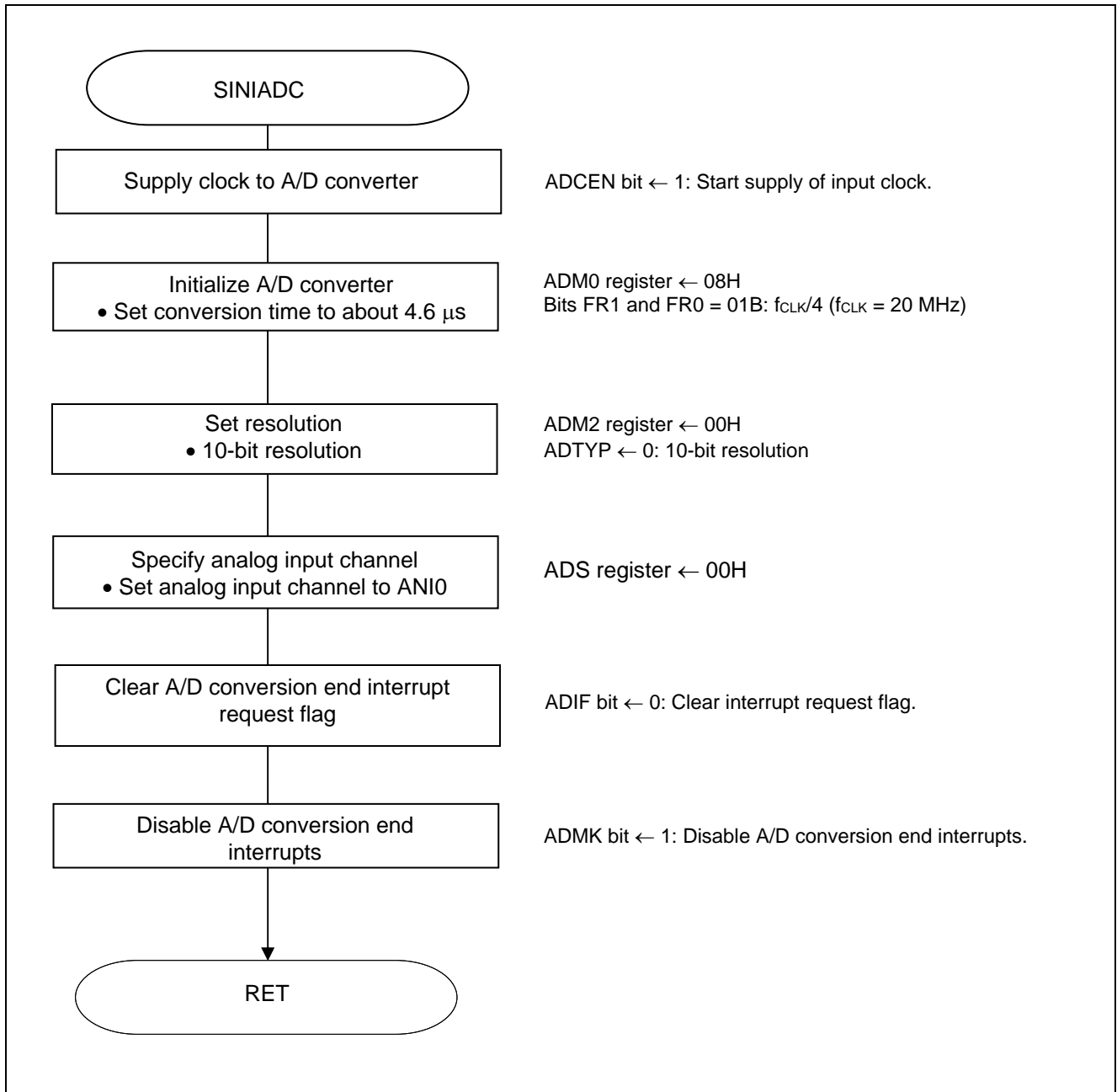


Figure 5.5 A/D Converter Setup

Starting the supply of clock to the A/D converter

- Peripheral enable register 0 (PER0)
Starts the supply of the clock to the A/D converter.

Symbol: PER0

	7	6	5	4	3	2	1	0
TMKAEN Note		0	ADCEN	IICA0EN Note	0	SAU0EN	0	TAU0EN
x		0	1	x	x	x	0	x

Bit 5

ADCEN	Control of A/D converter input clock supply
0	Stops input clock supply.
1	Enables input clock supply.

Note 16-pin products only.

Caution For details on the procedure for setting up the registers, refer to RL78/G10 User's Manual: Hardware.

Setting up the A/D conversion time and operation mode

- A/D converter mode register 0 (ADM0)
Controls the A/D conversion operation.
Specifies the A/D conversion channel selection mode.

Symbol: ADM0

7	6	5	4	3	2	1	0
ADCS	0	0	FR1	FR0	0	LV0	ADCE
x	0	0	0	1	0	0	x

Bits 4, 3, and 1

(1) 10-Bit Resolution A/D Conversion Time Selection

ADM0			Conversion Clock	Number of Conversion Clock	Conversion Time	Conversion Time Selection [μ s]				
FR1	FR0	LV0				$f_{CLK} = 1.25 \text{ MHz}$	$f_{CLK} = 5 \text{ MHz}$	$f_{CLK} = 5 \text{ MHz}$	$f_{CLK} = 10 \text{ MHz}$	$f_{CLK} = 20 \text{ MHz}$
0	0	0	$f_{CLK}/8$	23 f_{AD} (Number of sampling clock: 9 f_{AD})	$184/f_{CLK}$	Setting prohibited	Setting prohibited	Setting prohibited	18.4	9.2
0	1		$f_{CLK}/4$		$92/f_{CLK}$			18.4	9.2	4.6
1	0		$f_{CLK}/2$		$46/f_{CLK}$	18.4	9.2	4.6	Setting prohibited	Setting prohibited
1	1		f_{CLK}		$23/f_{CLK}$	18.4	9.2	4.6	Setting prohibited	Setting prohibited
0	0	1	$f_{CLK}/8$	17 f_{AD} (Number of sampling clock: 5 f_{AD})	$136/f_{CLK}$	Setting prohibited	Setting prohibited	Setting prohibited	18.4	6.8
0	1		$f_{CLK}/4$		$68/f_{CLK}$			18.4	9.2	3.4
1	0		$f_{CLK}/2$		$34/f_{CLK}$	13.6	6.8	4.6	Setting prohibited	Setting prohibited
1	1		f_{CLK}		$17/f_{CLK}$	13.6	6.8	4.6	Setting prohibited	Setting prohibited

(2) 8-Bit Resolution A/D Conversion Time Selection

ADM0			Conversion Clock	Number of Conversion Clock	Conversion Time	Conversion Time Selection [μ s]				
FR1	FR0	LV0				$f_{CLK} = 1.25 \text{ MHz}$	$f_{CLK} = 5 \text{ MHz}$	$f_{CLK} = 5 \text{ MHz}$	$f_{CLK} = 10 \text{ MHz}$	$f_{CLK} = 20 \text{ MHz}$
0	0	0	$f_{CLK}/8$	21 f_{AD} (Number of sampling clock: 9 f_{AD})	$168/f_{CLK}$	Setting prohibited	Setting prohibited	Setting prohibited	16.8	8.4
0	1		$f_{CLK}/4$		$84/f_{CLK}$			16.8	8.4	4.2
1	0		$f_{CLK}/2$		$43/f_{CLK}$	16.8	8.4	4.2	Setting prohibited	Setting prohibited
1	1		f_{CLK}		$21/f_{CLK}$	16.8	8.4	4.2	Setting prohibited	Setting prohibited
0	0	1	$f_{CLK}/8$	15 f_{AD} (Number of sampling clock: 3 f_{AD})	$120/f_{CLK}$	Setting prohibited	Setting prohibited	Setting prohibited	12.0	6.0
0	1		$f_{CLK}/4$		$60/f_{CLK}$			12.0	6.0	3.0
1	0		$f_{CLK}/2$		$30/f_{CLK}$	12.0	6.0	3.0	Setting prohibited	Setting prohibited
1	1		f_{CLK}		$15/f_{CLK}$	12.0	6.0	3.0	Setting prohibited	Setting prohibited

Caution For details on the procedure for setting up the registers, refer to RL78/G10 User's Manual: Hardware.

Setting up the resolution

- A/D converter mode register 2 (ADM2)
Sets the resolution.

Symbol: ADM2

7	6	5	4	3	2	1	0
0	0	0	0	0	0	0	ADTYP
0	0	0	0	0	0	0	0

Bit 0

ADTYP	Resolution of A/D conversion
0	10-bit resolution
1	8-bit resolution

Caution For details on the procedure for setting up the registers, refer to RL78/G10 User's Manual: Hardware.

Specifying the input channel

- Analog input channel specification register (ADS)
Specifies the input channel for the analog voltage to be subjected to A/D conversion.

Symbol: ADS

7	6	5	4	3	2	1	0
0	0	0	0	0	ADS2 <small>Note1</small>	ADS1	ADS0
0	0	0	0	0	0	0	0

10-pin products

ADS1	ADS0	Analog input channel	Input source
0	0	ANI0	P01/ANI0 pin
0	1	ANI1	P02/ANI1 pin
1	0	ANI2	P03/ANI2 pin
1	1	ANI3	P04/ANI3 pin

16-pin products

ADS2	ADS1	ADS0	Analog input channel	Input source
0	0	0	ANI0	P01/ANI0 pin
0	0	1	ANI1	P02/ANI1 pin
0	1	0	ANI2	P03/ANI2 pin
0	1	1	ANI3	P04/ANI3 pin
1	0	0	ANI4	P05/ANI4 pin
1	0	1	ANI5	P10/ANI5 pin
1	1	0	ANI6	P11/ANI6 pin
1	1	1	Internal reference voltage (0.815 V (typ.)) <small>Note2</small>	—

Note1 16-pin products only.

Note2 When the internal reference voltage is selected as the target for conversion by the A/D converter, be sure to clear the LV0 bit in the A/D converter mode register 0 (ADM0) to 0.

Caution For details on the procedure for setting up the registers, refer to RL78/G10 User's Manual: Hardware.

Setting up A/D conversion end interrupts

- Interrupt request flag register (IF0H)
Clears the interrupt request flag.
- Interrupt mask flag register (MK0H)
Disables interrupts.

Symbol: IF0H

7	6	5	4	3	2	1	0
0	0	0	0	0	KRIF	ADIF	TMIF01
0	0	0	0	0	x	0	x

Bit 1

ADIF	Interrupt request flag
0	No interrupt request signal is generated
1	Interrupt request is generated, interrupt request status

Symbol: MK0H

7	6	5	4	3	2	1	0
1	1	1	1	1	KRMK	ADMK	TMMK01
x	x	x	x	x	x	1	x

Bit 1

ADMK	Interrupt servicing control
0	Interrupt servicing enabled
1	Interrupt servicing disabled

Caution For details on the procedure for setting up the registers, refer to RL78/G10 User's Manual: Hardware.

5.6.5 Main Processing

Figure 5.6 shows the flowchart for the main processing.

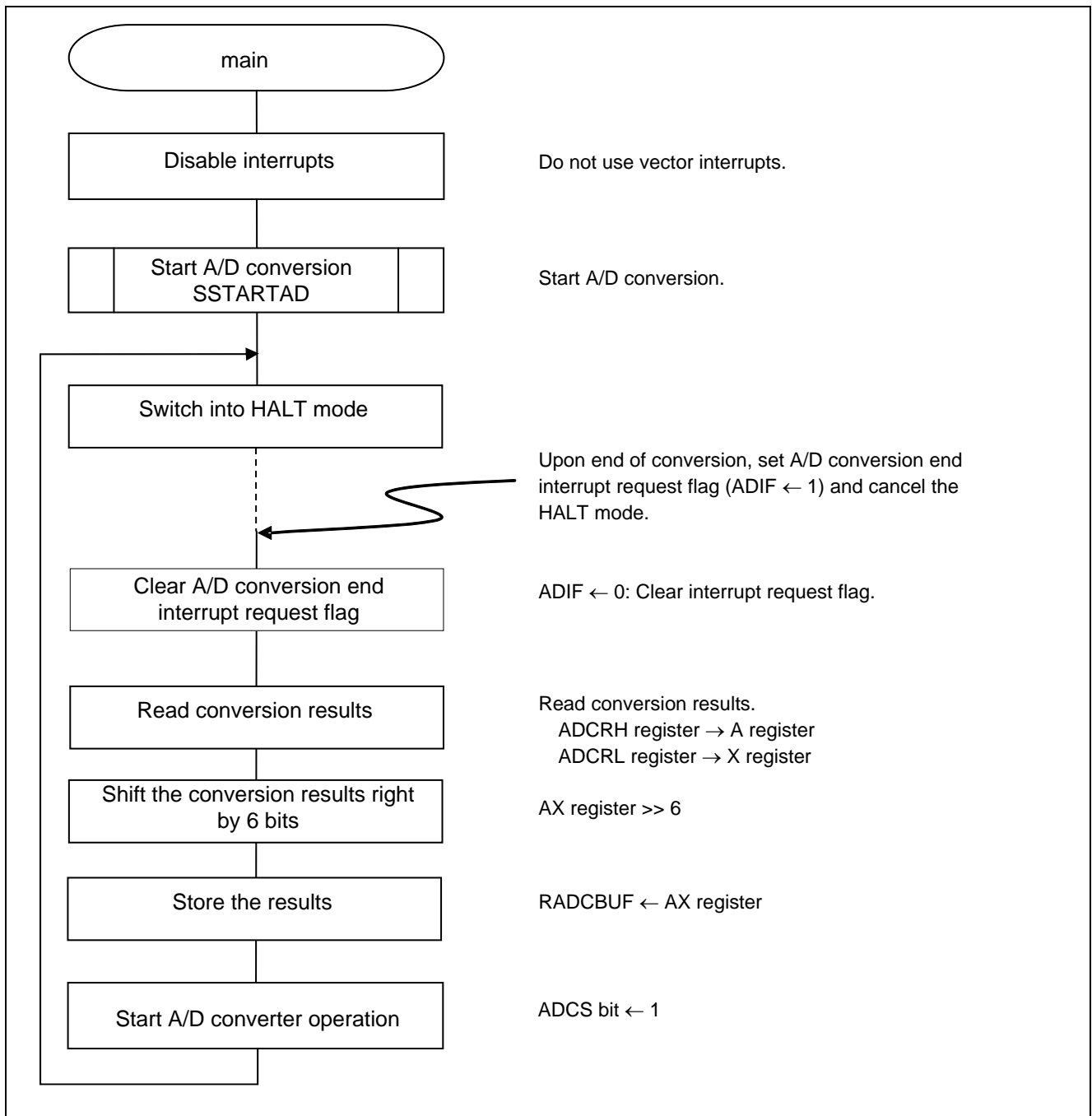


Figure 5.6 Main Processing

5.6.6 A/D Conversion Start Processing

Figure 5.7 shows the flowchart for the A/D conversion start processing.

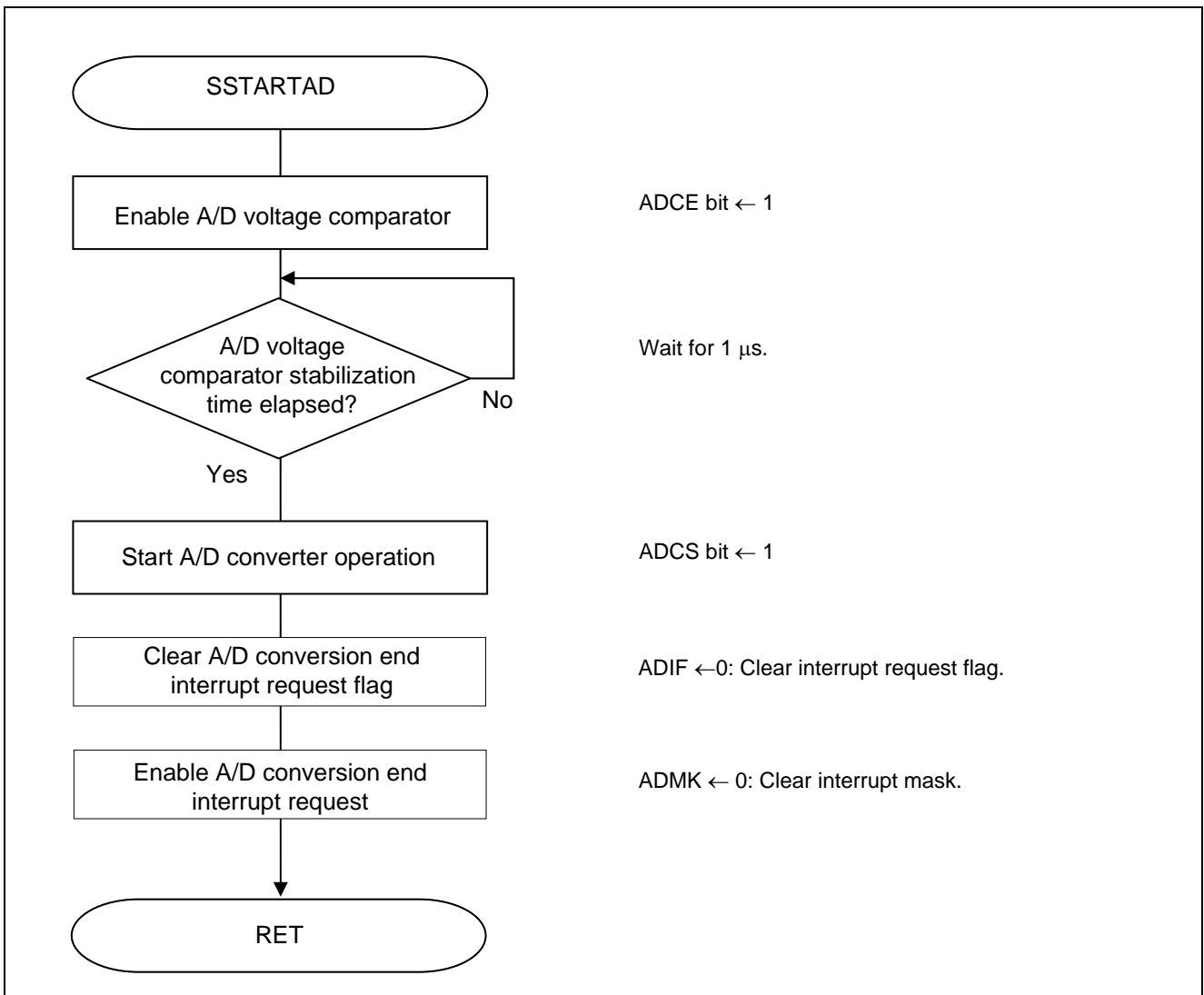


Figure 5.7 A/D Conversion Start Processing

Starting conversion operation

- A/D converter mode register 0 (ADM0)
Controls the A/D conversion operation.

Symbol: ADM0

	7	6	5	4	3	2	1	0
ADCS	0	0	FR1	FR0	0	LV0	ADCE	
	1	0	0	0	1	x	x	1

Bit 7

ADCS	A/D conversion operation control
0	Stops conversion operation
1	Enables conversion operation

Bit 0

ADCE	A/D voltage comparator operation control
0	Stops A/D voltage comparator operation
1	Enables A/D voltage comparator operation

Caution For details on the procedure for setting up the registers, refer to RL78/G10 User's Manual: Hardware.

6. Sample Code

The sample code is available on the Renesas Electronics Website.

7. Documents for Reference

RL78/G10 User's Manual: Hardware (R01UH0384E)

RL78 Family User's Manual: Software (R01US0015E)

(The latest versions of the documents are available on the Renesas Electronics Website.)

Technical Updates/Technical Brochures

(The latest versions of the documents are available on the Renesas Electronics Website.)

Website and Support

Renesas Electronics Website

- <http://www.renesas.com/index.jsp>

Inquiries

- <http://www.renesas.com/contact/>

Revision Record	RL78/G10 A/D Conversion CC-RL
-----------------	-------------------------------

Rev.	Date	Description	
		Page	Summary
1.00	Oct. 01, 2015	—	First edition issued
1.01	Oct.05,2016	—	Error correction

All trademarks and registered trademarks are the property of their respective owners.

General Precautions in the Handling of MPU/MCU Products

The following usage notes are applicable to all MPU/MCU products from Renesas. For detailed usage notes on the products covered by this document, refer to the relevant sections of the document as well as any technical updates that have been issued for the products.

1. Handling of Unused Pins

Handle unused pins in accord with the directions given under Handling of Unused Pins in the manual.

- The input pins of CMOS products are generally in the high-impedance state. In operation with an unused pin in the open-circuit state, extra electromagnetic noise is induced in the vicinity of LSI, an associated shoot-through current flows internally, and malfunctions occur due to the false recognition of the pin state as an input signal become possible. Unused pins should be handled as described under Handling of Unused Pins in the manual.

2. Processing at Power-on

The state of the product is undefined at the moment when power is supplied.

- The states of internal circuits in the LSI are indeterminate and the states of register settings and pins are undefined at the moment when power is supplied.

In a finished product where the reset signal is applied to the external reset pin, the states of pins are not guaranteed from the moment when power is supplied until the reset process is completed.

In a similar way, the states of pins in a product that is reset by an on-chip power-on reset function are not guaranteed from the moment when power is supplied until the power reaches the level at which resetting has been specified.

3. Prohibition of Access to Reserved Addresses

Access to reserved addresses is prohibited.

- The reserved addresses are provided for the possible future expansion of functions. Do not access these addresses; the correct operation of LSI is not guaranteed if they are accessed.

4. Clock Signals

After applying a reset, only release the reset line after the operating clock signal has become stable.

When switching the clock signal during program execution, wait until the target clock signal has stabilized.

- When the clock signal is generated with an external resonator (or from an external oscillator) during a reset, ensure that the reset line is only released after full stabilization of the clock signal. Moreover, when switching to a clock signal produced with an external resonator (or by an external oscillator) while program execution is in progress, wait until the target clock signal is stable.

5. Differences between Products

Before changing from one product to another, i.e. to a product with a different type number, confirm that the change will not lead to problems.

- The characteristics of an MPU or MCU in the same group but having a different part number may differ in terms of the internal memory capacity, layout pattern, and other factors, which can affect the ranges of electrical characteristics, such as characteristic values, operating margins, immunity to noise, and amount of radiated noise. When changing to a product with a different part number, implement a system-evaluation test for the given product.

Notice

1. Descriptions of circuits, software and other related information in this document are provided only to illustrate the operation of semiconductor products and application examples. You are fully responsible for the incorporation of these circuits, software, and information in the design of your equipment. Renesas Electronics assumes no responsibility for any losses incurred by you or third parties arising from the use of these circuits, software, or information.
2. Renesas Electronics has used reasonable care in preparing the information included in this document, but Renesas Electronics does not warrant that such information is error free. Renesas Electronics assumes no liability whatsoever for any damages incurred by you resulting from errors in or omissions from the information included herein.
3. Renesas Electronics does not assume any liability for infringement of patents, copyrights, or other intellectual property rights of third parties by or arising from the use of Renesas Electronics products or technical information described in this document. No license, express, implied or otherwise, is granted hereby under any patents, copyrights or other intellectual property rights of Renesas Electronics or others.
4. You should not alter, modify, copy, or otherwise misappropriate any Renesas Electronics product, whether in whole or in part. Renesas Electronics assumes no responsibility for any losses incurred by you or third parties arising from such alteration, modification, copy or otherwise misappropriation of Renesas Electronics product.
5. Renesas Electronics products are classified according to the following two quality grades: "Standard" and "High Quality". The recommended applications for each Renesas Electronics product depends on the product's quality grade, as indicated below.
"Standard": Computers; office equipment; communications equipment; test and measurement equipment; audio and visual equipment; home electronic appliances; machine tools; personal electronic equipment; and industrial robots etc.
"High Quality": Transportation equipment (automobiles, trains, ships, etc.); traffic control systems; anti-disaster systems; anti-crime systems; and safety equipment etc.
Renesas Electronics products are neither intended nor authorized for use in products or systems that may pose a direct threat to human life or bodily injury (artificial life support devices or systems, surgical implantations etc.), or may cause serious property damages (nuclear reactor control systems, military equipment etc.). You must check the quality grade of each Renesas Electronics product before using it in a particular application. You may not use any Renesas Electronics product for any application for which it is not intended. Renesas Electronics shall not be in any way liable for any damages or losses incurred by you or third parties arising from the use of any Renesas Electronics product for which the product is not intended by Renesas Electronics.
6. You should use the Renesas Electronics products described in this document within the range specified by Renesas Electronics, especially with respect to the maximum rating, operating supply voltage range, movement power voltage range, heat radiation characteristics, installation and other product characteristics. Renesas Electronics shall have no liability for malfunctions or damages arising out of the use of Renesas Electronics products beyond such specified ranges.
7. Although Renesas Electronics endeavors to improve the quality and reliability of its products, semiconductor products have specific characteristics such as the occurrence of failure at a certain rate and malfunctions under certain use conditions. Further, Renesas Electronics products are not subject to radiation resistance design. Please be sure to implement safety measures to guard them against the possibility of physical injury, and injury or damage caused by fire in the event of the failure of a Renesas Electronics product, such as safety design for hardware and software including but not limited to redundancy, fire control and malfunction prevention, appropriate treatment for aging degradation or any other appropriate measures. Because the evaluation of microcomputer software alone is very difficult, please evaluate the safety of the final products or systems manufactured by you.
8. Please contact a Renesas Electronics sales office for details as to environmental matters such as the environmental compatibility of each Renesas Electronics product. Please use Renesas Electronics products in compliance with all applicable laws and regulations that regulate the inclusion or use of controlled substances, including without limitation, the EU RoHS Directive. Renesas Electronics assumes no liability for damages or losses occurring as a result of your noncompliance with applicable laws and regulations.
9. Renesas Electronics products and technology may not be used for or incorporated into any products or systems whose manufacture, use, or sale is prohibited under any applicable domestic or foreign laws or regulations. You should not use Renesas Electronics products or technology described in this document for any purpose relating to military applications or use by the military, including but not limited to the development of weapons of mass destruction. When exporting the Renesas Electronics products or technology described in this document, you should comply with the applicable export control laws and regulations and follow the procedures required by such laws and regulations.
10. It is the responsibility of the buyer or distributor of Renesas Electronics products, who distributes, disposes of, or otherwise places the product with a third party, to notify such third party in advance of the contents and conditions set forth in this document, Renesas Electronics assumes no responsibility for any losses incurred by you or third parties as a result of unauthorized use of Renesas Electronics products.
11. This document may not be reproduced or duplicated in any form, in whole or in part, without prior written consent of Renesas Electronics.
12. Please contact a Renesas Electronics sales office if you have any questions regarding the information contained in this document or Renesas Electronics products, or if you have any other inquiries.

(Note 1) "Renesas Electronics" as used in this document means Renesas Electronics Corporation and also includes its majority-owned subsidiaries.

(Note 2) "Renesas Electronics product(s)" means any product developed or manufactured by or for Renesas Electronics.



SALES OFFICES

Renesas Electronics Corporation

<http://www.renesas.com>

Refer to "<http://www.renesas.com/>" for the latest and detailed information.

Renesas Electronics America Inc.

2801 Scott Boulevard Santa Clara, CA 95050-2549, U.S.A.
Tel: +1-408-588-6000, Fax: +1-408-588-6130

Renesas Electronics Canada Limited

9251 Yonge Street, Suite 8309 Richmond Hill, Ontario Canada L4C 9T3
Tel: +1-905-237-2004

Renesas Electronics Europe Limited

Dukes Meadow, Millboard Road, Bourne End, Buckinghamshire, SL8 5FH, U.K.
Tel: +44-1628-585-100, Fax: +44-1628-585-900

Renesas Electronics Europe GmbH

Arcadiastrasse 10, 40472 Düsseldorf, Germany
Tel: +49-211-6503-0, Fax: +49-211-6503-1327

Renesas Electronics (China) Co., Ltd.

Room 1709, Quantum Plaza, No.27 ZhiChunLu Haidian District, Beijing 100191, P.R.China
Tel: +86-10-8235-1155, Fax: +86-10-8235-7679

Renesas Electronics (Shanghai) Co., Ltd.

Unit 301, Tower A, Central Towers, 555 Langao Road, Putuo District, Shanghai, P. R. China 200333
Tel: +86-21-2226-0888, Fax: +86-21-2226-0999

Renesas Electronics Hong Kong Limited

Unit 1601-1611, 16/F., Tower 2, Grand Century Place, 193 Prince Edward Road West, Mongkok, Kowloon, Hong Kong
Tel: +852-2265-6688, Fax: +852 2886-9022

Renesas Electronics Taiwan Co., Ltd.

13F, No. 363, Fu Shing North Road, Taipei 10543, Taiwan
Tel: +886-2-8175-9600, Fax: +886 2-8175-9670

Renesas Electronics Singapore Pte. Ltd.

80 Bendemeer Road, Unit #06-02 Hyflux Innovation Centre, Singapore 339949
Tel: +65-6213-0200, Fax: +65-6213-0300

Renesas Electronics Malaysia Sdn.Bhd.

Unit 1207, Block B, Menara Amcorp, Amcorp Trade Centre, No. 18, Jln Persiaran Barat, 46050 Petaling Jaya, Selangor Darul Ehsan, Malaysia
Tel: +60-3-7955-9390, Fax: +60-3-7955-9510

Renesas Electronics India Pvt. Ltd.

No.777C, 100 Feet Road, HALII Stage, Indiranagar, Bangalore, India
Tel: +91-80-67208700, Fax: +91-80-67208777

Renesas Electronics Korea Co., Ltd.

12F., 234 Teheran-ro, Gangnam-Gu, Seoul, 135-080, Korea
Tel: +82-2-558-3737, Fax: +82-2-558-5141