

# RH850/U2A-EVA

## Low-Power Operations

### Introduction

To reduce the average current consumption and conserve energy, the RH850/U2A-EVA series provides a variety of different low-power options.

This document describes the hardware features implemented in the RH850/U2A-EVA devices as well as their usage in typical application scenarios:

- Cyclic digital and analog signal polling (with port expansion)
- Cyclic LIN communication
- CAN partial networking and pretended networking

The information in this document should be used in conjunction with the corresponding User's Manuals of the RH850/U2A-EVA series.

### Target Device

This application note is intended to describe the Low-Power Operations on RH850/U2A-EVA series.

In this document, the RH850/U2A-EVA device R7F702Z19AEDBG is employed to implement the example application. Still, the concept described in this document applies also to other members of the RH850/U2A-EVA series.

The RH850/U2A-EVA series has following variants:

RH850/U2A-EVA	FBGA-516	R7F702Z19AEDBG
		R7F702Z19BFDBG
RH850/U2A16	FBGA-516	R7F702300EBBG-C
		R7F702300AEBBG-C
	FBGA-373	R7F702300EBBB-C
		R7F702300AEBBB-C
	FBGA-292	R7F702300EABA-C
		R7F702300AFABA-C
RH850/U2A8	FBGA-373	R7F702301EBBA-C
		R7F702301AEBBA-C
	FBGA-292	R7F702301EABG-C
		R7F702301 AFABG-C
RH850/U2A6	FBGA-292	R7F702302FABB-C
	HLQFP-176	R7F702302FAFK-C
	FBGA-156	R7F702302FABD-C
	HLQFP-144	R7F702302FAFM-C

### Disclaimer:

**Renesas Electronics does not warrant the information included in this document. You are fully responsible for incorporation of these circuits, software, and information in the design of your equipment and system. Renesas Electronics assumes no responsibility for any losses incurred by you or third parties arising from the use of these circuits, software, or information.**

## Contents

Introduction .....	1
Target Device .....	1
Contents .....	2
Contents of Figures.....	4
Contents of Tables.....	5
1. Background .....	6
2. Reference Documents .....	7
2.1 User's Manual.....	7
3. Overview of power domains and power supply .....	8
3.1 Power Supply Pins .....	8
3.2 Power Domains Arrangement .....	10
4. Operation and Chip Standby Modes .....	11
4.1 Overview.....	12
4.2 Clock Supply in Chip Standby Mode .....	14
4.2.1 Clock Oscillators.....	14
4.2.2 System and Peripheral Clock.....	15
4.3 Chip Standby Modes .....	16
4.3.1 STOP Mode.....	16
4.3.2 DeepSTOP Mode .....	19
4.3.3 Cyclic RUN Mode .....	25
4.3.4 Cyclic STOP Mode .....	29
4.4 Wake-Up Control .....	31
4.5 I/O Buffer Control.....	35
4.6 BIST Execution.....	36
5. Module Standby Mode.....	37
5.1 Procedure of Module Standby Mode.....	37
5.1.1 Transition to Module Standby Mode .....	37
5.1.2 Cancelling Module Standby Mode .....	37
5.2 Module Standby Registers .....	38
5.3 Behavior of Module Standby Mode during Chip Standby Mode .....	39
6. Low-Power Sampler (LPS) .....	40
6.1 Overview.....	40
6.2 Digital Input Mode.....	42
6.2.1 General Feature of Digital Input Mode .....	42

---

6.2.2	Configuration of Digital Input Mode .....	43
6.3	Analog Input Mode .....	46
6.3.1	General Feature of Analog Input Mode .....	46
6.3.2	Configuration of Analog Input Mode .....	47
6.4	Mixed Mode .....	50
6.5	Pin Assignment .....	50
7.	Use Cases .....	52
7.1	Digital and analog port polling .....	52
7.2	LIN Communication .....	53
7.3	CAN Communication .....	56
7.3.1	Partial Networking .....	56
7.3.2	Pretended Networking .....	57
8.	Summary .....	58
	Website and Support .....	59
	Revision History .....	60
	General Precautions in the Handling of Microprocessing Unit and Microcontroller Unit Products .....	1
	Notice .....	1

**Contents of Figures**

Figure 4-1 Transition to Chip Standby Modes .....	12
Figure 4-2 Example of STOP mode transition.....	18
Figure 4-3 Example of DeepSTOP mode transition .....	22
Figure 4-4 Example of Cyclic RUN mode transition .....	27
Figure 4-5 Example of Cyclic STOP mode transition .....	30
Figure 6-1 Block Diagram of the LPS .....	41
Figure 6-2 Block Diagram for the Digital Input Mode of LPS.....	42
Figure 6-3 Block Diagram for the Analog Input Mode of LPS .....	46
Figure 6-4 Basic flow chart of the mixed mode .....	51
Figure 7-1 Cyclic Wake-up Calculation of Digital and Analog Inputs .....	52
Figure 7-2 Cyclic Wake-up Calculation of the LIN Communication Example .....	53
Figure 7-3 Flow Chart of the LIN Communication Example .....	55
Figure 7-4 Example of Partial Networking .....	56
Figure 7-5 Example of Pretended Networking .....	57

## Contents of Tables

Table 3-1 Power Supply Pins .....	8
Table 3-2 Functional Modules and Power Domain .....	10
Table 4-1 List of Operation Modes .....	13
Table 4-2 Operation of Clock Oscillators in Standby Modes .....	14
Table 4-3 Operation statuses of STOP and DeepSTOP modes .....	22
Table 4-4 Operation Statuses of Cyclic RUN and Cyclic STOP modes .....	27
Table 4-5 Overview of Wake-Up Factors .....	31
Table 4-6 Wake-Up Factors .....	31
Table 4-7 Buffer Operation before, during and after Chip Standby Modes .....	35
Table 4-8 Execution Conditions of Standby-Resume BIST .....	36
Table 5-1 MSR Registers <sup>*2 *3</sup> .....	38
Table 5-2 Module Standby Settings and Clock Supply of Peripherals in Chip Standby Mode .....	39
Table 6-1 LPS Channels of RH850/U2A-EVA Devices .....	41
Table 6-2 TAUJ Configuration for LPS Application .....	43
Table 6-3 Port Configuration for LPS Operation .....	44
Table 6-4 Alternative Mode Selection Overview .....	44
Table 6-5 Configuration of LPS for Digital Input Mode .....	45
Table 6-6 Status and Result Registers of LPS .....	45
Table 6-7 ADCJ2 Configuration <sup>*2</sup> .....	47
Table 6-8 Configuration of LPS for Analog Input Mode .....	49

## 1. Background

The target of low-power operations is to reduce the (average) current consumption of the device in the related application scenarios.

Typical low-power applications are

- Digital and analog port polling (with optional port expansion)
- Periodic LIN communication
- CAN communication with 'Partial' or 'Pretended networking'

For these use cases, the following functionalities are available:

- Support to stop or power-off certain peripherals when no active operation is required.
- CPU operation without Code Flash (Cyclic RUN mode and Cyclic STOP mode), including operation of all peripherals of the AWO area, as well as RLIN3 and MSPI located on the ISO area.
- Support the HW polling of digital and analog input signals and the comparison of the inputs with pre-configured thresholds.

This document introduces the related functions:

- Power supply, described in *Section 3*.
- Operation and chip standby modes, described in *Section 4*.
- Module standby mode, described in *Section 5*.
- Low-power sampler, described in *Section 6*.
- Typical use cases of low-power applications are presented in *Section 7*.

## 2. Reference Documents

This chapter contains information about the device reference documentation.

### 2.1 User's Manual

The Hardware User's Manual provides information about the functional and electrical behavior of the device.

At the release time of this document the following manual versions are available:

RH850/U2A-EVA User's Manual (Rev.1.30): R01UH0864EJ0130

### 3. Overview of power domains and power supply

The internal circuits of RH850/U2A-EVA products are separated into two independent power domains:

- Always-On Area (AWO)
- Isolated Area (ISO)

These power domains are controlled by the power control located on the AWO Area. The AWO area itself remains powered in all operating modes.

To reduce the overall power consumption, the ISO Area can be turned off in DeepSTOP mode.

Dedicated on-chip voltage regulators generate the internal supply voltage for each power domain. The device RH850/U2A-EVA includes the following voltage supplies:

- Power supply voltage SYSVCC for system logic and on-chip voltage regulators. The output voltage of the voltage regulators is supplied to the digital circuits in Always-On area power domain.
- Power supply voltage SVRDRVCC and SVRAVCC for Switching Voltage Regulator (SVR).
- Power supply voltage ISOVDD for the digital circuits in Isolated area power domain. The ISO area power domain is supplied by an external power supply.
- Power supply voltage EnVCC for the I/O ports.
- Power supply voltage AnVCC for the A/D converters and the separated I/O ports.
- Power supply voltage LVDVCC for the LVDS ports.
- Power supply voltages EMUVCC and EMUVDD for the Aurora ports.
- Power supply voltage GETH0PVCC, GETH0BVCC and GETH0RVCC for the Ethernet.

#### 3.1 Power Supply Pins

Table 3-1 lists all power supply pins and the related peripherals:

**Table 3-1 Power Supply Pins**

Power supply	Power Supply Pins	Power Supply for	Voltage Range
Power supply for internal circuits	SYSVCC	<ul style="list-style-type: none"> <li>• Power supply for System Logic and Internal voltage regulator power</li> <li>• Power supply terminal for PORTS</li> </ul>	<ul style="list-style-type: none"> <li>• 3.0 – 5.5 V (w/o SVR)</li> <li>• 3.0 – 3.6 V (w/ SVR)</li> <li>• 4.5 – 5.5 V (w/ SVR)</li> </ul>
	VCC	Power supply for FLASH	
	SVRDRVCC (DRV_VCC)	Power supply for SVR	3.0 – 3.6 V
	SVRAVCC (AD_VCC)		4.5 – 5.5 V
	VDD	Power supply terminal for ISOVDD	1.025 – 1.155 V
	VSS	Common ground	–
	SVRAVSS (AD_VSS) SVRDRVSS (DRV_VSS)	Ground for SVR	–
	AWOVCL	External buffer capacitance of regulator	1.025 – 1.155 V
Power supply for I/O port	E0VCC	Port groups*1: JP0_xx, P0_xx, P1_xx, P2_xx, P3_xx, P4_xx, P5_xx, P6_xx, P8_xx	3.0 – 5.5 V
	E1VCC	Port groups*1: P10_xx, P11_xx, P12_xx, P17_xx, P18_xx, P19_xx, P20_xx, P21_xx, P22_xx, P23_xx	

	E2VCC	Port groups*1: P9_xx, P24_xx	
	VSS	Common ground	–
Power supply for A/D converters	A0VCC	<ul style="list-style-type: none"> <li>Analog circuits of ADCJ</li> <li>Port group AP0_xx, AP1_xx</li> </ul>	3.0 – 5.5 V
	A0VREFH		
	A0VSS		–
	A1VCC	<ul style="list-style-type: none"> <li>Analog circuits of ADCJ</li> <li>Port group AP2_xx, AP3_xx</li> </ul>	3.0 – 5.5 V
	A1VREFH		
	A1VSS		–
	A2VCC	<ul style="list-style-type: none"> <li>Analog circuits of ADCJ</li> <li>Port group AP4_xx, AP5_xx</li> </ul>	3.0 – 5.5 V
	A2VREFH		
A2VSS	–		
Power supply for LVDS	LVDVCC	LVDS port	3.0 – 5.5 V
	VSS	Common ground	–
Power supply for Ethernet	GETH0PVCC	Power supply for Ethernet domain	<ul style="list-style-type: none"> <li>3.14 – 3.46 V (w/ SGMII)</li> <li>3.0 – 5.5 V (w/o SGMII)</li> </ul>
	GETH0RVCC		
	GETH0BVCC		<ul style="list-style-type: none"> <li>3.14 – 3.46 V (w/ SGMII)</li> <li>– *2 (w/o SGMII)</li> </ul>
	GETH0VCL		1.025 – 1.155V
	VSS	Common ground	–
Power supply for EMU	EMUVCC	Debug circuits of EMU (Aurora)	3.0 – 3.6 V
	EMUVDD		<ul style="list-style-type: none"> <li>1.04 – 1.14 V (Aurora ON)</li> <li>1.025 – 1.155 V (Aurora OFF)</li> </ul>
	EMUVSS		–
Power supply for Debug	DVCC	Debug circuits	3.0 – 3.6 V
	DVDD		<ul style="list-style-type: none"> <li>1.04 – 1.14 V (Aurora ON)</li> <li>1.025 – 1.155 V (Aurora OFF)</li> </ul>
	VSS	Common ground	–
Power supply for ERAM	ERAM1VCC	ERAM circuits of FLASH	3.0 – 3.6 V
	ERAMVDD		<ul style="list-style-type: none"> <li>1.04 – 1.14 V (Aurora ON)</li> <li>1.025 – 1.155 V (Aurora OFF)</li> </ul>
	ERAM1VSS		–

Notes: 1. The port groups in this table are related to RH850/U2A-EVA device.

For other RH850/U2A devices please refer to the device User's Manual R01UH0864EJxxxx Section 10.2 'Power Supply Pins'.

2. Typically input 3.0 – 3.6 V voltage or connect to VSS with  $\geq 1\text{k}\Omega$  pull-down resistance.

### 3.2 Power Domains Arrangement

Table 3-2 shows the functional distribution of the Power Domains:

**Table 3-2 Functional Modules and Power Domain**

Power Domain	Functions
AWO Area	<ul style="list-style-type: none"> <li>• STBC, Reset controller</li> <li>• Retention RAM, ERAM</li> <li>• CLMA0, CLMA1, CLMA2</li> <li>• HV IntOSC, Main OSC, LS IntOSC, HS IntOSC</li> <li>• WDTBA, RTCA, TAUJ2, TAUJ3, ADCJ2</li> <li>• SVR, LPS</li> <li>• AWO Port groups</li> </ul>
ISO Area	<ul style="list-style-type: none"> <li>• CPU subsystem</li> <li>• Code flash, Data flash, Local RAM, Cluster RAM</li> <li>• PLL, SGMII_PLL, HSIFPLL</li> <li>• CLMA3, CLMA4, CLMA5, CLMA6, CLMA7, CLMA8, CLMA9, CLMAS</li> <li>• WDTB0, WDTB1, WDTB2, WDTB3</li> <li>• RHSIF, TPBA, GTM</li> <li>• TAUD, TAUJ0, TAUJ1, OSTM, PWM-Diag, RS-CANFD, RLIN3, RIIC</li> <li>• ADCJ0, ADCJ1, TAPA, TSG3, ENCA, SFMA, FLXA, ETNBn, CXPI, RSENT, MMCA</li> <li>• SWDT, ICUM</li> <li>• PSI5, PSI5-S, SCI3</li> <li>• MSPI, PIC, KCRC, OTS, ECM</li> <li>• ISO Port groups</li> </ul>

Note: The port groups in this table are related to RH850/U2A-EVA device.

For other RH850/U2A devices please refer to the device User's Manual R01UH0864EJxxxx *Section 10.2 'Power Supply Pins'*.

#### 4. Operation and Chip Standby Modes

The standby controller of RH850/U2A-EVA products support 2 standby modes:

- Chip Standby mode
- Module Standby mode

In this section, a general description about the chip-level low power operations is provided. For module standby modes, please refer to *Section 5 'Module Standby Mode'* in this document.

The RH850/U2A-EVA devices support the following operation modes:

- RUN mode
- STOP mode
- DeepSTOP mode
- Cyclic RUN mode<sup>1</sup>
- Cyclic STOP mode

Note: 1. In these modes, the CPU0 can issue the "HALT" instruction to enter HALT state.

### 4.1 Overview

The chip-level low-power modes includes STOP mode, DeepSTOP mode and Cyclic operation (Cyclic RUN mode and Cyclic STOP mode).

Transition to chip standby mode should be performed by CPU0, when CPU0 shifts to chip standby mode, CPU1/2/3 will also shift to chip standby mode.

Figure 4-1 shows the state transition of operation modes.

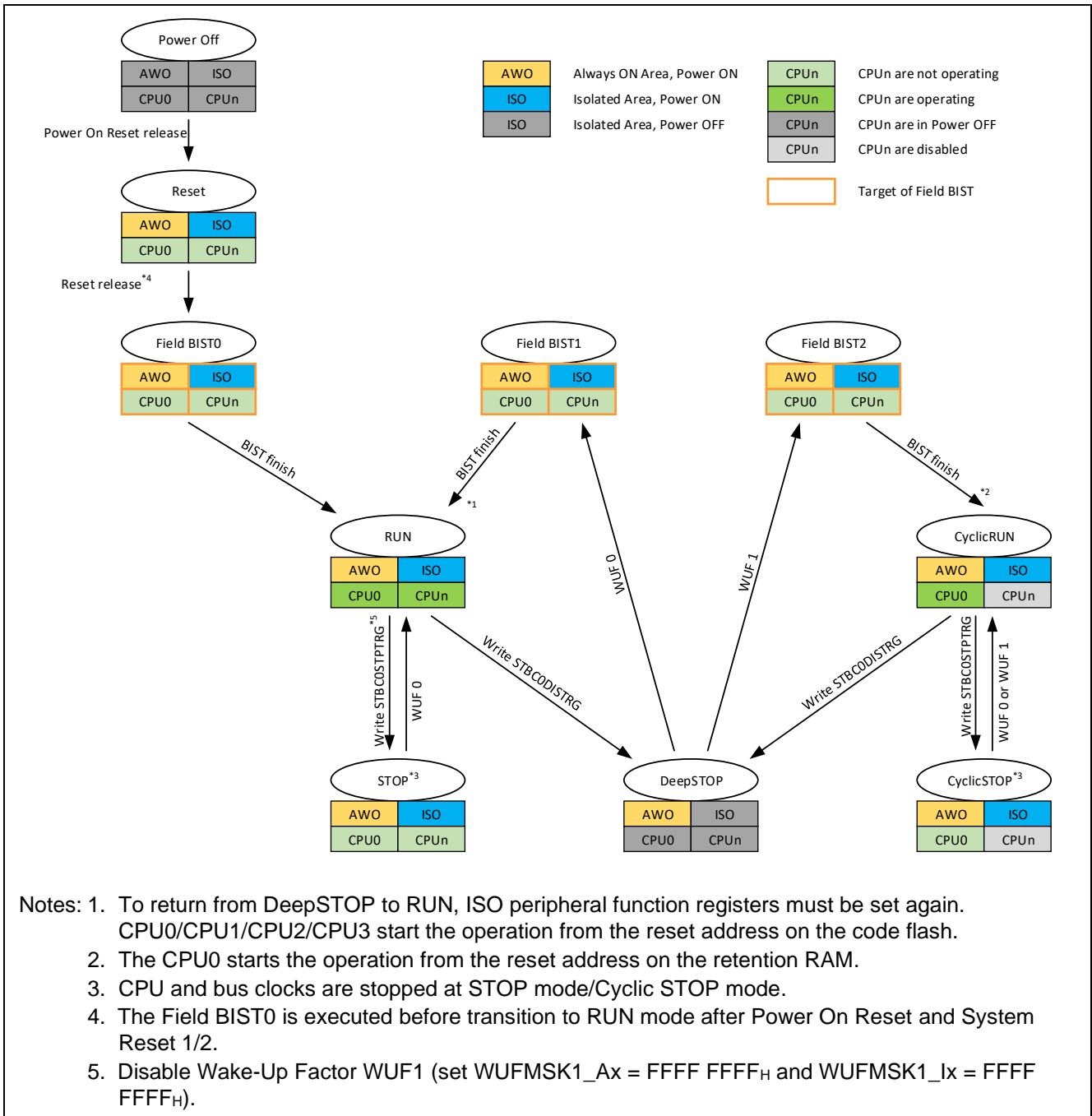


Figure 4-1 Transition to Chip Standby Modes

Table 4-1 lists the definition and mode transition trigger of the operation modes:

**Table 4-1 List of Operation Modes**

Operation Mode	Definition	Mode Transition Trigger
RUN <sup>1</sup>	Normal operation mode, all functions are operational	-
STOP	Chip-level standby mode, the clock supplies to certain clock domain can be stopped	STBC0STPT.STBC0STPTRG
DeepSTOP	Chip-level standby mode to reduce power consumption further than STOP mode, clock supplies are stopped and the power supply to ISO area is switched off	STBC0PSC.STBC0DISTRG
Cyclic RUN	Low-power operation mode, limited peripherals can operate at low speed. CPU1 to 3 are not available. CPU0 executes the instructions from the retention RAM.	<ul style="list-style-type: none"> <li>• Wake-up factor 1 (from DeepSTOP mode)</li> <li>• Wake-up factor 0/1 (from Cyclic STOP mode)</li> </ul>
Cyclic STOP	STOP mode in cyclic operation, CPU0 halts its operation	STBC0STPT.STBC0STPTRG

Notes: 1. RUN mode is not discussed in this application note.

In transition of operation modes, the Build-In-Self-Test (BIST) can be executed during DeepSTOP Reset. For detailed information please refer to *Section 4.6 BIST Execution*.

## 4.2 Clock Supply in Chip Standby Mode

### 4.2.1 Clock Oscillators

In chip standby mode (STOP mode, DeepSTOP mode, and Cyclic STOP mode), the LS IntOSC continues operation. Main OSC, HS IntOSC and PLL can be set to stop or continue via <name>STPM registers.

HV IntOSC continues in STOP and Cyclic modes and can be set stopped or continue via the VMONDSCR register in DeepSTOP mode.

Table 4-2 lists the operation of clock oscillators in standby modes.

**Table 4-2 Operation of Clock Oscillators in Standby Modes**

Oscillators	STOP mode	DeepSTOP mode	Cyclic STOP	Cyclic RUN
Main OSC	<ul style="list-style-type: none"> <li>For bit MOSCSTPM.MOSCSTPMSK = 0, oscillation is stopped</li> <li>For bit MOSCSTPM.MOSCSTPMSK = 1, oscillation continues</li> </ul>			Oscillation continues
LS IntOSC	Oscillation continues <sup>*1</sup>			
HS IntOSC	<ul style="list-style-type: none"> <li>For bit HSOSCSTPM.HSOSCSTPMSK = 0, oscillation is stopped</li> <li>For bit HSOSCSTPM.HSOSCSTPMSK = 1, oscillation continues</li> </ul>			Oscillation continues
PLL	Oscillation continues when bit MOSCSTPM.MOSCSTPMSK = 1 and PLLSTPM.PLLSTPMSK = 1 <sup>*2</sup>	Disabled <sup>*3</sup>	Not available in cyclic operation	
HV IntOSC <sup>*4</sup>	Oscillation continues	<ul style="list-style-type: none"> <li>For bit VMONDSCR.DSDETEN = 0, oscillation is stopped</li> <li>For bit VMONDSCR.DSDETEN = 1, oscillation continues</li> </ul>	Oscillation continues	

Notes: 1. After power supply the LS IntOSC starts operation. It cannot be stopped.

2. For detailed information, please refer to the device User's Manual R01UH0864EJxxxx *Section 13.4.5 'Phase Locked Loop (PLL)'*.

3. PLL is disabled in DeepSTOP mode, a software restart is necessary to start the PLL after transition from DeepSTOP mode to RUN mode.

4. Only used for VMON, the general operation of this oscillator in chip standby mode is described in *Section 4.3.2 'DeepSTOP Mode'*. Further information is not provided in this application note.

### 4.2.2 System and Peripheral Clock

The following CPU subsystem clocks are stopped in chip standby modes (STOP mode, DeepSTOP mode and Cyclic STOP mode):

- CPU clock CLK\_CPU
- SBUS clock CLK\_SBUS
- HBUS clock CLK\_HBUS

Regarding to peripherals, the clock stop mask bits MSR\_<name>.STPMSK\_<name> are used to determine the operation status of the clock in chip standby mode:

- If the stop mask bit is set to 0, the stop request is not masked, the related peripheral clock stops during chip standby mode.  
If the clock is in operation before entering standby mode, the clock restarts automatically after wake-up of chip standby mode.
- If the stop mask bit is set to 1, the stop request is masked, the corresponding peripheral clock continues operate during chip standby mode.  
The clock supply of ISO area is stopped in DeepSTOP mode.

Table 5-1 in *Section 5.2 'Module Standby Registers'* includes the information about the peripheral clock supplies which can be set continue using MSR\_<name> registers in standby modes.

*Section 5.3* provides the information of the clock supply to peripherals in each operation mode and chip standby mode.

## 4.3 Chip Standby Modes

### 4.3.1 STOP Mode

In STOP mode, the clock supply to the CPU core and the CPU subsystem is stopped.

The low speed internal oscillator CLK\_LSIOOSC and high voltage internal oscillator CLK\_HSIOOSC can operate.

Main oscillator CLK\_MOSC, high speed internal oscillator CLK\_HSIOOSC and PLL are stopped in default settings, these clock sources can be configured to continue operating by masking stop request.

In addition, basically all peripheral functions are stopped before the transition to STOP mode is made. Only a limited number of peripherals may remain operable on the available clock sources.

The contents of Local RAM and Retention RAM before the transition to STOP mode are remained.

The I/O buffers remain their state before entering STOP mode.

#### (1) Preparation for STOP Mode

Before starting STOP mode, the following setup is needed as the preparation for standby:

- Stop DMON by software, if Main OSC stops in STOP mode.
- Stop CLMAN.
  - Stop CLMA0 if Main OSC is stops in chip standby mode.
  - Stop CLMA1/2 if HS IntOSC is stops in chip standby mode.
  - Stop CLMA 3 to 9 and CLMAS.
- Stop all the peripheral functions whose clock supply will be stopped.
- Disable the interrupt handling by the CPU instruction "DI".
- Set the interrupt control registers.
  - Clear the interrupt flag (EICn.EIRFn = 0).
  - Mask the interrupts for non-wake-up factors (EICn.EIMKn= 1).
  - Release the masks of the interrupts for wake-up factors (EICn.EIMKn = 0).
- Set the wake-up related registers.
  - Clear the wake-up factor flags (the WUF0\_Ax / WUF0\_Iy registers, x = 0 to 2, y = 0 or 1).
  - Mask the non-wake-up factor (the WUFMSK0\_Ax / WUFMSK0\_Iy registers, x = 0 to 2, y = 0 or 1).
  - Release the masks of the wake-up factors (the WUFMSK0\_Ax / WUFMSK0\_Iy registers, x = 0 to 2, y = 0 or 1).
- Set the clock stop mask register to select the clock domains to be stopped and the ones to continue operating (using the MSR\_\_<name>.STPMSK\_<name> bit).
- Specify whether to oscillate or stop each clock source. In addition, set the clock stop mask register to select the clock sources to be stopped and the ones to continue operating (using the MOSCSTPMSK bit in the MOSCSTPM register and the HSOSCSTPMSK bit in the HSOSCSTPM register).

#### (2) Start of STOP Mode

According to Figure 4-1 and Table 4-1, setting the STBC0STPTRG bit of register STBC0STPT to 1, the device is shifted into STOP mode.

For the detailed information for the operation status of different modules in STOP mode, please refer to Table 4-3.

#### (3) End of STOP Mode

The device can return to RUN mode from STOP mode when a wake-up event is generated as configured in the corresponding WUF0\_Ax or WUF0\_Iy (x = 0 to 2, y = 0 or 1) registers.

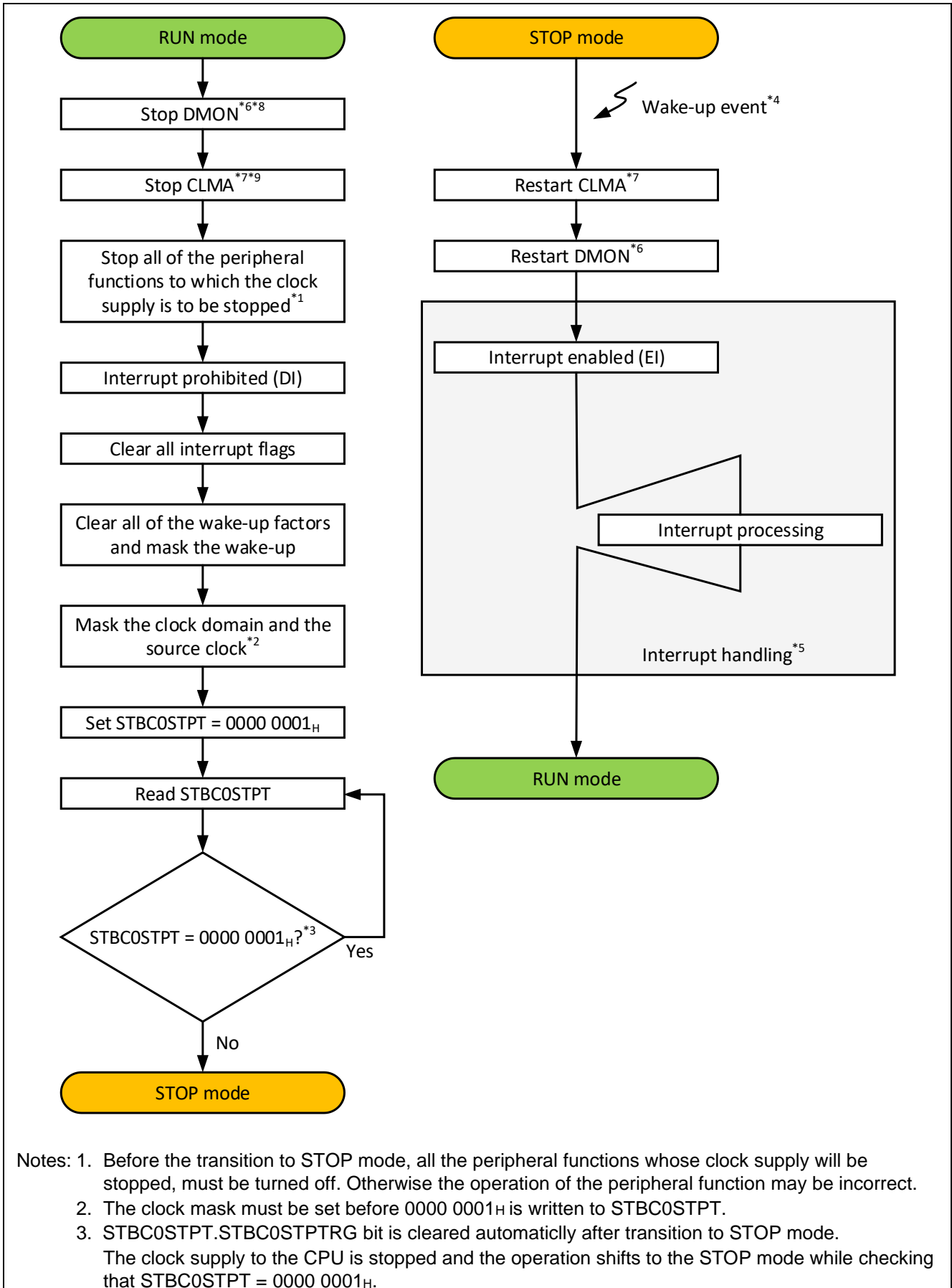
#### (4) Wake-up Handling

The generation of wake-up events can be determined by the wake-up factor flags WUF0\_Ax or WUF0\_Iy (x = 0 to 2, y = 0 or 1).

When an interrupt is enabled by the CPU instruction "EI", the corresponding wake-up interrupt will be executed.

#### (5) Transition Procedure to STOP Mode

The transition procedure (example) to STOP mode is shown below in Figure 4-2.



- Notes: 1. Before the transition to STOP mode, all the peripheral functions whose clock supply will be stopped, must be turned off. Otherwise the operation of the peripheral function may be incorrect.
2. The clock mask must be set before 0000 0001H is written to STBC0STPT.
3. STBC0STPT.STBC0STPTRG bit is cleared automatically after transition to STOP mode.  
The clock supply to the CPU is stopped and the operation shifts to the STOP mode while checking that STBC0STPT = 0000 0001H.

4. STBC0STPT is set to 0000 0000<sub>H</sub> at the generation of a wake-up event. The generated wake-up factor can be checked by the WUF0\_Ax and WUF0\_ly (x = 0 to 2, y = 0 or 1) registers.
5. This processing is optional. It is required to execute the interrupt handling after the wake-up.
6. For details please refer to HW user's Manual R01UH0864EJxxxx Section 11.4.7.4 'Procedures to Reset DMON' and Section 11.4.6.4 'DMONDIAGME – DMON DIAG Monitor Enable Register'.
7. For details please refer to HW user's Manual R01UH0864EJxxxx Section 14.6.2 'Procedures to Reset by CLMATEST.RESCLM' and Section 14.5.6 'CLMAnCTL – CLMAn Control Register'.
8. Stop DMON when Main OSC stops at chip standby mode.
9. Stop CLMA3 to 9 and CLMAS.  
Stop CLMA0 if Main OSC stops in chip standby mode.  
Stop CLMA 1/2 if HS IntOSC stops in chip standby mode.

**Figure 4-2 Example of STOP mode transition**

(6) **Operation Status of STOP Mode**

For the detailed information for the operation status of CPUs and peripherals during STOP mode, please refer to Section 4.3.2 Table 4-3.

### 4.3.2 DeepSTOP Mode

In DEEPSTOP mode, the power supply to the Isolated Area is turned off.

The low speed internal oscillator LS IntOSC continues.

PLL is automatically disabled during transition to DeepSTOP mode.

Main oscillator Main OSC and high speed internal oscillator HS IntOSC are stopped in default settings, these clock sources can be configured to continue operating by masking stop request.

The high voltage internal oscillator HV IntOSC can be automatically disabled, depends on the configuration in the VMON DeepSTOP control register VMONDSCR.

For peripherals in Always-On Area that continue operation in DeepSTOP, the clock supply can be continued by setting the clock stop mask register.

The I/O buffers in DeepSTOP mode are changing into I/O buffer hold state by default, meaning the state of the buffers is frozen. The input or output remains in the state before entering DeepSTOP mode, no external or internal signal can change its state until the I/O buffer hold state is terminated after wake-up from DeepSTOP.

#### (1) Preparation for DeepSTOP Mode

Before starting DeepSTOP mode, the following setup is needed as the preparation for standby:

- Stop DMON by software, if Main OSC is stopped in STOP mode.
- Stop CLMA<sub>n</sub>.
  - Stop CLMA0 if Main OSC is stops in chip standby mode.
  - Stop CLMA1/2 if HS IntOSC is stops in chip standby mode.
  - Stop CLMA 3 to 9 and CLMAS.
- Stop all the peripheral functions to which the clock supply is to be stopped.
- Disable the interrupt handling by the CPU instruction “DI”.
- Set the interrupt control registers.
  - Clear the interrupt flag (EIC.EIRFn = 0, n = 0 to 695).
  - Mask the interrupts for non-wake-up factors (EIC.EIMKn = 1, n = 0 to 695).
  - Release the masks of the interrupts for wake-up factors (EIC.EIMKn = 0, n = 0 to 695).
- Set the wake-up related registers.
  - Clear the wake-up factor flags (the WUFCn\_Ax / WUFCn\_ly registers, n = 0 or 1, x = 0 to 2, y = 0 or 1).
  - Mask the non-wake-up factor (the WUFMSKn\_Ax / WUFMSKn\_ly registers, n = 0 or 1, x = 0 to 2, y = 0 or 1).
  - Release the masks of the wake-up factors (the WUFMSKn\_Ax / WUFMSKn\_ly registers, n = 0 or 1, x = 0 to 2, y = 0 or 1).
- Set the clock stop mask register to select the clock domains to be stopped and the ones to continue operating (using the MSR\_\_<name>.STPMSK\_<name> bit).
- Specify whether to oscillate or stop each clock source. In addition, set the clock stop mask register to select the clock sources to be stopped and the ones to continue operating (using the MOSCSTPMSK bit in the MOSCSTPM register and the HSOSCSTPMSK bit in the HSOSCSTPM register).

#### (2) Start of DeepSTOP Mode

According to Figure 4-1, if the STBC0PSC.STBC0DISTRG bit is set to 1, the device starts DeepSTOP mode.

#### (3) End of DeepSTOP Mode

When a wake-up factor is generated, the microcontroller returns from DeepSTOP mode.

By releasing DeepSTOP mode, the Build-In-Self-Test (BIST) might be executed, for detailed BIST execution condition, please refer to *Section 4.5 BIST Execution*.

#### (4) Wake-up Handling

- If the device returns from DeepSTOP mode due to wake-up factor 0:
  - The device switches to RUN mode, the operation starts from the reset vector address.

If one of the FENMI or FEINT interrupts has been generated before recovery from DeepSTOP mode to RUN mode, the microcontroller restarts operation from operation from exception handler address:

- FENMI: FENMI handler address (E0<sub>H</sub>)
- FEINT: FEINT handler address (F0<sub>H</sub>)

The general-purpose registers and local RAM are undefined after return from DeepSTOP mode.

- If the device returns from DeepSTOP mode due to wake-up factor 1:

— The device switches to Cyclic RUN mode, the CPU0 starts the operation from the reset address on the retention RAM.

If one of the FENMI or FEINT interrupts has been generated before recovery from DeepSTOP mode to Cyclic RUN mode, the microcontroller restart operation from the exception handler address:

- FENMI: FENMI handler address (FE80 0000<sub>H</sub> + E0<sub>H</sub>)
- FEINT: FEINT handler address (FE80 0000<sub>H</sub> + F0<sub>H</sub>)

- The generation of the wake-up factors can be determined by the wake-up factor flags WUFn<sub>xx</sub>.
- The ports in the Isolated area maintain the I/O buffer hold state.

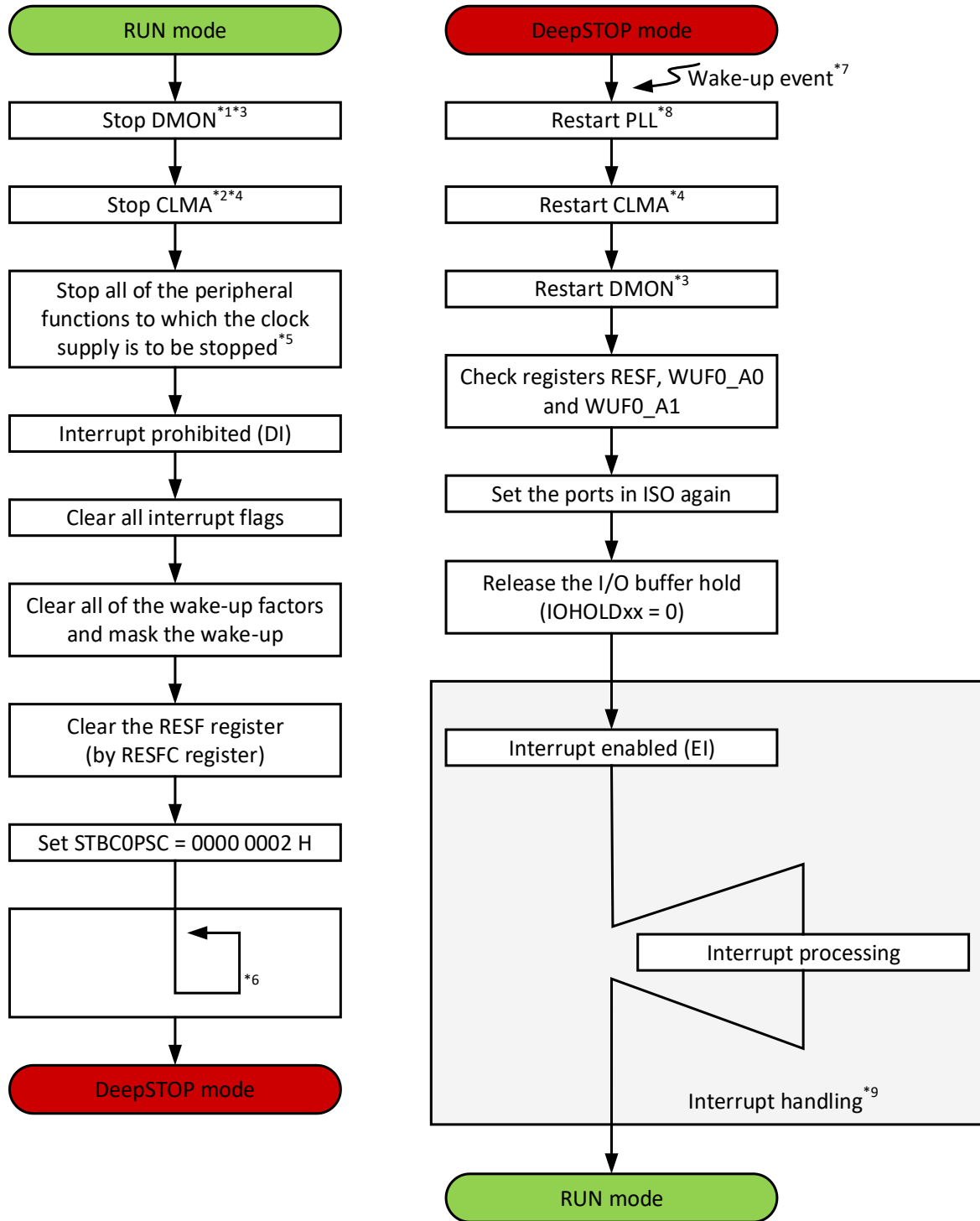
Release the I/O buffer hold state by executing the following steps:

1. Re-configure the peripheral functions and port functions.
2. Set IOHOLDn.IOHOLD<sub>xxx</sub> = 0. (n=0, 2)

- To execute an interrupt of the wake-up factor after the wake-up, evaluate the information of wakeup factor flag by software and set the interrupt request flag in the interrupt control register. Then, when an interrupt is enabled by the CPU instruction "EI", the generated wake-up interrupt will be executed.

#### (5) Transition Procedure to DeepSTOP Mode

Figure 4-3 shows a general example of the transition procedure to enter and leave the DeepSTOP mode.



- Notes:
1. Stop DMON when Main OSC stops at chip standby mode.
  2. Stop CLMA3 to 9 and CLMAS, stop CLMA0 if Main OSC stops in chip standby mode, stop CLMA 1/2 if HS IntOSC stops in chip standby mode.
  3. For details please refer to HW user's Manual R01UH0864EJxxxx Section 11.4.7.4 'Procedures to Reset DMON' and Section 11.4.6.4 'DMONDIAGME – DMON DIAG Monitor Enable Register'.
  4. For details please refer to HW user's Manual R01UH0864EJxxxx Section 14.6.2 'Procedures to Reset by CLMATEST.RESCLM' and Section 14.5.6 'CLMA nCTL – CLMA n Control Register'.
  5. When the operation of the peripheral function is stopped during operating due to the transition to the DeepSTOP mode, the operation of the peripheral function may be incorrect. Therefore, before

the transition to the DeepSTOP mode, stop all of the peripheral functions whose clock supply is to be cut off.

6. After setting STBC0PSC = 0000 0002<sub>H</sub>, wait for the transition to the DeepSTOP mode by the unconditional loop.
7. The CPU starts the program from the reset vector after the generation of a wake-up event. The return from the DeepSTOP mode by a reset can be checked by the RESF register. In addition, the generated wake-up event can be checked by the WUF0\_A0, WUF0\_A1 and WUF\_A2 registers.
8. A software PLL restart is necessary, if PLL is required after transition to RUN mode.
9. This processing is optional. It is required to execute the interrupt handling after the wake-up.

**Figure 4-3 Example of DeepSTOP mode transition**

(6) **Operation Status of DeepSTOP Mode**

For the detailed information for the operation status of CPUs and peripherals during DeepSTOP mode, please refer to Table 4-3.

**Table 4-3 Operation statuses of STOP and DeepSTOP modes**

Function			STOP Mode	DeepSTOP Mode
Port	AWO		Port: State before STOP/DeepSTOP mode was set is retained Pin: Operable	
	ISO		Port: State before STOP mode was set is retained Pin: Operable	Port: Power off Pin: State before DeepSTOP mode was set is retained
CPU core 0 to 3			Stop	Power off
DMA	sDMA		Stop	Power off
	DTS			
Interrupt Controller	INTC1, INTC2		Stop	Power off
	INTIF			
	EINT		Operable	Operable for wake-up
Flash	Code Flash		Stop	Power off
	Data Flash		Stop	Power off
RAM	Local RAM		State before STOP mode was set is retained	Power off
	Cluster RAM	CRAM0, CRAM1	State before STOP mode was set is retained	Power off
		CRAM2		
		CRAM3 (Standby RAM)	State before STOP/DeepSTOP mode was set is retained	
	Emulation RAM		State before STOP mode was set is retained	Power off
	Instrumentation RAM		State before STOP mode was set is retained	Power off
	Trace RAM		State before STOP mode was set is retained	Power off
Timer	Operating System Timer (OSTM)		STOP	Power off
	Window Watchdog Timer	WDTBA	Operable	Operable
		WDTB0 to 3, SWDT	STOP	Power off
	Timer Array Unit D (TAUD)		STOP	Power off
	TAUJ2, TAUJ3	Operable	Operable	

	Timer Array Unit J	TAUJ0, TAUJ1	STOP	Power off
	Long-Term System Counter (LTSC)		STOP	Power off
	Generic Timer Module (GTM)		STOP	Power off
	Real-time Counter (RTCA)		Operable	Operable
	Motor Control Timer (TSG3)		STOP	Power off
	Timer Option (TAPA)		STOP	Power off
	Timer Pattern Buffer (TABA)		STOP	Power off
	Encoder Timer (ENCA)		STOP	Power off
	PWM Diagnostic (PWM-Diag)		STOP	Power off
Communication	RLIN3		Operable	Power off
	Serial Communication Interface (SCI3)		STOP	Power off
	Multichannel Serial Peripheral Interface (MSPI)		STOP	Power off
	Renesas High-Speed Serial I/F (RHSIF)		STOP	Power off
	I2C Interface (RIIC)		STOP	Power off
	CAN Interface (RS-CANFD)		Operable	Power off
	FlexRay (FLXA)		STOP	Power off
	Ethernet AVB (ETNB)		STOP	Power off
	Single Edge Nibble Transmission (RSENT)		STOP	Power off
	Clock Extension Peripheral (CXPI)		STOP	Power off
	PSI5		STOP	Power off
	PSI5S		STOP	Power off
	Multimedia Card Interface (MMCA)		STOP	Power off
	Serial Flash Memory Interface A (SFMA)		STOP	Power off
Safety	Clock Monitor	CLMA0 to 2	Operable	Operable
		CLMA3 to 9	STOP	Power off
	Voltage Monitor (VMON)		Operable	ISO detection STOP Other functions depend on bit DSDETEN
	Data CRC Function K (KCRC)		STOP	Power off
	Error Control Module (ECM)		STOP	Power off
	Bus ECC and EDC		Operable	Operable
A/D Converter	ADCJ2		Operable by LPS and A/D conversion	Operable by LPS and A/D conversion
	ADCJ0, ADCJ1		STOP	Power off
Security	ICUMHA		Stop	Power off

	Secure RAM	Stop	Power off
	Secure Data Flash	State before STOP mode was set is retained	Power off

Note: The functions in this table are related to the RH850/U2A-EVA device.

For other RH850/U2A devices please refer to the User's Manual R01UH0864EJxxxx.

### 4.3.3 Cyclic RUN Mode

Cyclic RUN mode is very similar to the 'normal' RUN mode, except the fact that:

- PLL and Flash memory are not available.
- The CPU0 fetches the instruction from the Retention RAM (Standby RAM), the CPU1 to 3 are not available.
- Only a limited number of peripherals (RLIN3, MSPI and AWO peripherals) can be active.

#### (1) Preparation for Cyclic RUN Mode

Before the transition to Cyclic RUN mode, the following preparation is necessary:

- Stop DMON by software, if Main OSC is stopped in STOP mode.
- Stop CLMA<sub>n</sub>.
  - Stop CLMA0 if Main OSC is stops in chip standby mode.
  - Stop CLMA1/2 if HS IntOSC is stops in chip standby mode.
  - Stop CLMA 3 to 9 and CLMAS.
- Set up interval timer (TAUJ2, TAUJ3) to serve as periodic wake-up trigger.
- Arrange the program for Cyclic RUN in the Retention RAM.
- Set the wake-up related registers:
  - Clear the wake-up factor flags (the WUFC1\_Ax/WUFC1\_Iy register, x = 0 to 2, y = 0 or 1).
  - Mask the non-wake-up factor (the WUFMSK1\_Ax/WUFMSK1\_Iy register, x = 0 to 2, y = 0 or 1).
  - Release the masks of the wake-up factor (the WUFMSK1\_Ax/WUFMSK1\_Iy register, x = 0 to 2, y = 0 or 1).
- Make the transition to DeepSTOP mode. For details on how to transit to DeepSTOP mode, please refer to *Section 4.3.2 DeepSTOP mode*.

#### (2) Start of Cyclic RUN Mode

The operation transitions to Cyclic RUN mode from DeepSTOP mode at the generation of wake-up factor 1.

The operation transitions to Cyclic RUN mode from Cyclic STOP mode at the generation of wake-up factors 0 or 1.

The operation starts from the reset vector address of Cyclic RUN mode (the first address of the Standby RAM).

If one of the FENMI or FEINT interrupts has been generated before recovery from DeepSTOP mode to Cyclic RUN mode, the microcontroller restart operation from the exception handler address:

- FENMI: FENMI handler address (FE80 0000<sub>H</sub> + E0<sub>H</sub>)
- FEINT: FEINT handler address (FE80 0000<sub>H</sub> + F0<sub>H</sub>)

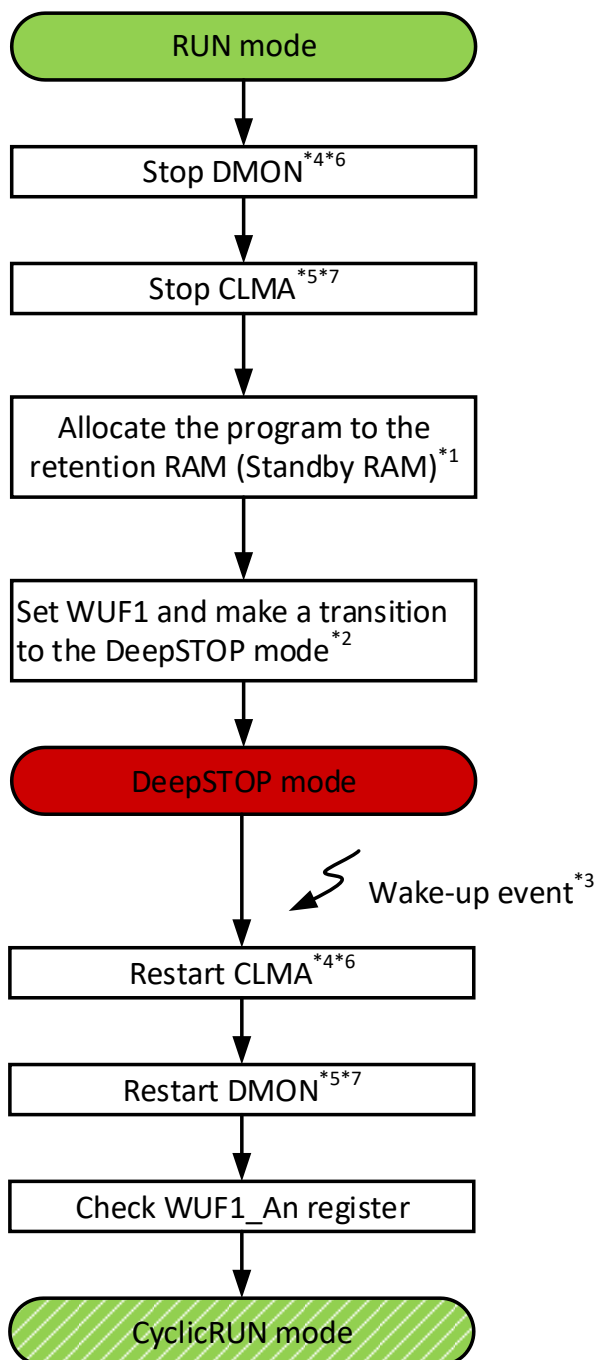
#### (3) End of Cyclic RUN Mode

The Cyclic RUN mode ends:

- at the transition to the Cyclic STOP mode by setting the STBC0STPT.STBC0STPTRG bit to 1
- at the transition to the DeepSTOP mode by setting the STBC0PSC.STBC0DISTRG bit to 1.

#### (4) Transition Procedure to Cyclic RUN Mode

The transition procedure (example) to Cyclic RUN mode is shown below in Figure 4-4.



Notes: 1. When the mode shifts from the Cyclic RUN mode to the RUN mode by a wake-up event, it is via DeepSTOP mode. The transition to the DeepSTOP mode should be made in the processing of the interrupt vector for the wake-up event. In that case, the interrupt processing program on the Retention RAM must be allocated.

2. Before the transition to the DeepSTOP mode, clear the flag for wake-up factor 1 in the WUFC1\_An register and set wake-up factor 1 that is to be used by the WUFMSK1\_A0/ WUFMSK1\_I0 register. Other processing for the transition to the DeepSTOP mode is as usual, please refer to *Section 4.2.2 (5) Transition Procedure to DeepSTOP Mode*.

3. The CPU starts the program from the top address on the Retention RAM after the generation of a wake-up event. The generated wake-up event can be checked by the WUF1\_Ax (x = 0 to 2) register.

4. For details please refer to HW user's Manual R01UH0864EJxxxx *Section 11.4.7.4 'Procedures to Reset DMON'* and *Section 11.4.6.4 'DMONDIAGME – DMON DIAG Monitor Enable Register'*.

5. For details please refer to HW user's Manual R01UH0864EJxxxx Section 14.6.2 'Procedures to Reset by CLMATEST.RESCLM' and Section 14.5.6 'CLMAnCTL – CLMAn Control Register'.
6. Stop DMON when Main OSC stops at chip standby mode.
7. Stop CLMA3 to 9 and CLMAS, stop CLMA0 if Main OSC stops in chip standby mode, stop CLMA 1/2 if HS IntOSC stops in chip standby mode.

**Figure 4-4 Example of Cyclic RUN mode transition**

(5) **Operation Status of Cyclic RUN Mode**

Table 4-4 lists the detailed operation status of Cyclic RUN mode.

**Table 4-4 Operation Statuses of Cyclic RUN and Cyclic STOP modes**

Function		Cyclic RUN Mode	Cyclic STOP Mode	
Port	AWO	Port: Operable Pin: Operable	Port: State before Cyclic STOP mode was set is retained Pin: Operable	
	ISO	Port: Operable Pin: Operable	Port: Power off Pin: State before Cyclic STOP mode was set is retained	
CPU core	CPU0	Instruction execution from Retention RAM	STOP	
	CPU1 to 3	STOP	STOP	
DMA	sDMA	Setting prohibited	STOP	
	DTS			
Interrupt Controller	INTC1, INTC2	Operable	STOP	
	INTIF			
	EINT	Operable	Operable	
Flash	Code Flash	Access prohibited	STOP	
	Data Flash	Access prohibited	STOP	
RAM	Local RAM	Access prohibited	STOP	
	Cluster RAM	CRAM0, CRAM1	Access prohibited	STOP
		CRAM2		
		CRAM3 (Standby RAM)	Operable	State before Cyclic STOP mode was set is retained
	Emulation RAM	Access prohibited	STOP	
	Instrumentation RAM	Access prohibited	STOP	
	Trace RAM	Access prohibited	STOP	
Timer	Operating System Timer (OSTM)	Setting prohibited	Setting prohibited	
	Window Watchdog Timer	WDTBA	Operable	Operable
		WDTB0	Operable	Stop or operation continues
		WDTB1 to 3, SWDT	Setting prohibited	Stop or operation continues
	Timer Array Unit D (TAUD)	Setting prohibited	Setting prohibited	
	Timer Array Unit J	TAUJ2, TAUJ3	Operable	Stop or operation continues
		TAUJ0, TAUJ1	Setting prohibited	STOP
Long-Term System Counter (LTSC)	Setting prohibited	Setting prohibited		

	Generic Timer Module (GTM)	Setting prohibited	Setting prohibited
	Real-time Counter (RTCA)	Operable	Stop or operation continues
	Motor Control Timer (TSG3)	Setting prohibited	Setting prohibited
	Timer Option (TAPA)	Setting prohibited	Setting prohibited
	Timer Pattern Buffer (TABA)	Setting prohibited	Setting prohibited
	Encoder Timer (ENCA)	Setting prohibited	Setting prohibited
	PWM Diagnostic (PWM-Diag)	Setting prohibited	Setting prohibited
Communication	RLIN3	Operable	Operable
	Serial Communication Interface (SCI3)	Setting prohibited	Setting prohibited
	Multichannel Serial Peripheral Interface (MSPI)	Operable	Setting prohibited
	Renesas High-Speed Serial I/F (RHSIF)	Setting prohibited	Setting prohibited
	I2C Interface (RIIC)	Setting prohibited	Setting prohibited
	CAN Interface (RS-CANFD)	Setting prohibited	Setting prohibited
	FlexRay (FLXA)	Setting prohibited	Setting prohibited
	Ethernet AVB (ETNB)	Setting prohibited	Setting prohibited
	Single Edge Nibble Transmission (RSENT)	Setting prohibited	Setting prohibited
	Clock Extension Peripheral (CXPI)	Setting prohibited	Setting prohibited
	PSI5	Setting prohibited	Setting prohibited
	PSI5S	Setting prohibited	Setting prohibited
	Multimedia Card Interface (MMCA)	Setting prohibited	Setting prohibited
	Serial Flash Memory Interface A (SFMA)	Setting prohibited	Setting prohibited
Safety	Clock Monitor	CLMA0 to 2	Operable
		CLMA3 to 9	Setting prohibited
	Voltage Monitor (VMON)	Operable	Operable
	Data CRC Function K (KCRC)	Setting prohibited	Setting prohibited
	Error Control Module (ECM)	Setting prohibited	Setting prohibited
	Bus ECC and EDC	Operable	Operable
A/D Converter	ADCJ2	Operable	Operable
	ADCJ0, ADCJ1	Setting prohibited	Setting prohibited
Security	ICUMHA	Setting prohibited	Setting prohibited
	Secure RAM	Setting prohibited	Setting prohibited
	Secure Data Flash	Setting prohibited	Setting prohibited

Note: The functions in this table are related to the RH850/U2A-EVA device.

For other RH850/U2A devices please refer to the User's Manual R01UH0864EJxxxx.

### 4.3.4 Cyclic STOP Mode

In Cyclic STOP mode, the functions except RLIN3 and the AWO area peripheral function are stopped.

#### (1) Preparation for Cyclic STOP Mode

For Cyclic STOP mode, the following setups must be done before the transition:

- Stop DMON by software, if Main OSC is stopped in STOP mode.
- Stop CLMA<sub>n</sub>.
  - Stop CLMA0 if Main OSC is stops in chip standby mode.
  - Stop CLMA1/2 if HS IntOSC is stops in chip standby mode.
  - Stop CLMA 3 to 9 and CLMAS.
- Ensure the transition to Cyclic RUN mode is finished.
- Set the wake-up related registers.
  - Clear the wake-up factor flags (the WUFC<sub>n</sub>\_Ax/WUFC<sub>n</sub>\_ly register, n = 0 or 1, x = 0 to 2, y = 0 or 1).
  - Mask the non-wake-up factor (the WUFMSK<sub>n</sub>\_Ax/WUFMSK<sub>n</sub>\_ly register, n = 0 or 1, x = 0 to 2, y = 0 or 1).
  - Release the masks of the wake-up factor (the WUFMSK<sub>n</sub>\_Ax/WUFMSK<sub>n</sub>\_ly register, n = 0 or 1, x = 0 to 2, y = 0 or 1).

#### (2) Start of Cyclic STOP Mode

According to Figure 4-1, the operation switches from Cyclic RUN to Cyclic STOP mode when the STBC0STPTRG bit in register STBC0STPT is set to 1.

#### (3) End of Cyclic STOP Mode

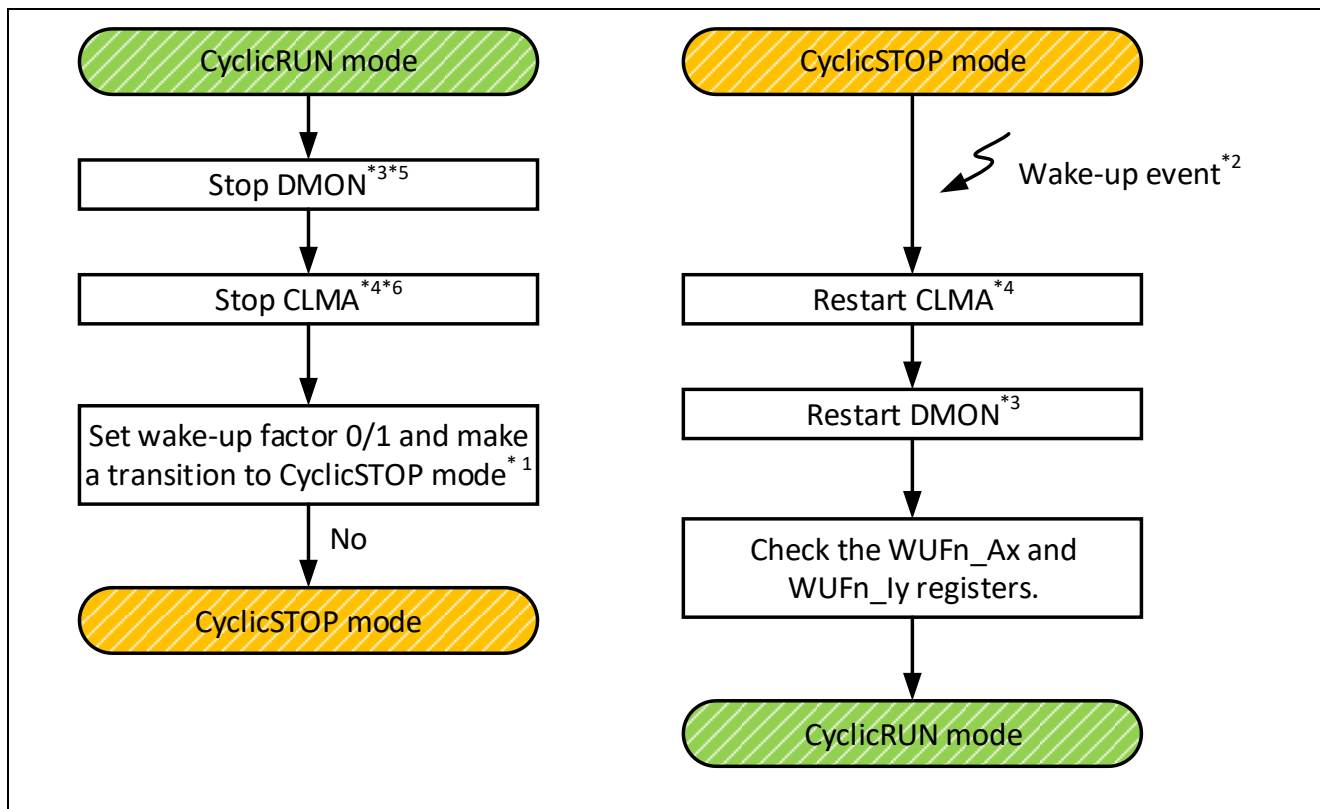
The operation transitions to Cyclic RUN mode at the generation of wake-up factor 0 or 1.

#### (4) Wake-up Handling

The generation of the wake-up factors can be determined by the wake-up factor flags (WUF<sub>n</sub>\_Ax/ WUF<sub>n</sub>\_ly, n = 0 or 1, x = 0 to 2, y = 0 or 1).

#### (5) Transition Procedure to Cyclic STOP Mode

The transition procedure (example) to Cyclic STOP mode is shown below in Figure 4-5.



- Notes:
1. The wake-up factors 0 and 1 are normally set to make a transition respectively to RUN mode and Cyclic RUN mode. In the case of Cyclic STOP mode, the operation can only directly switch to Cyclic RUN mode by either wake-up factor 0 or 1.
  2. When a wake-up factor is generated in Cyclic STOP mode, the mode shifts to Cyclic RUN mode and the operation starts immediately after the processing shifted to Cyclic RUN mode. The generated wake-up factors can be checked by the WUFn\_Ax, WUFn\_ly (n = 0 or 1, x = 0 to 2, y = 0 or 1) registers.
  3. For details please refer to HW user's Manual R01UH0864EJxxxx Section 11.4.7.4 'Procedures to Reset DMON' and Section 11.4.6.4 'DMONDIAGME – DMON DIAG Monitor Enable Register'.
  4. For details please refer to HW user's Manual R01UH0864EJxxxx Section 14.6.2 'Procedures to Reset by CLMATEST.RESCLM' and Section 14.5.6 'CLMANCTL – CLMAN Control Register'.
  5. Stop DMON when Main OSC stops at chip standby mode.
  6. Stop CLMA3 to 9 and CLMAS, stop CLMA0 if Main OSC stops in chip standby mode, stop CLMA 1/2 if HS IntOSC stops in chip standby mode.

**Figure 4-5 Example of Cyclic STOP mode transition**

(6) **Operation Status of Cyclic STOP Mode**

For detailed operation status of Cyclic STOP mode, please refer to Table 4-4 in Section 4.2.3.

## 4.4 Wake-Up Control

The chip operation returns from standby modes when a wake-up event occurs.

For different mode transition, the RH850/U2A-EVA products provide different category of wake-up events. Table 4-5 shows an overview of these wake-up factors and the operation after wake-up events.

**Table 4-5 Overview of Wake-Up Factors**

Category	Mode Transition	Wake-Up Factor	Operation after Wake-Up	
			System Clock	Fetch Address
Wake-Up Factor 0	STOP → RUN	WUF0_Ax, x = 0 to 2 WUF0_Iy, y = 0 or 1	Clock setting before STOP mode	Next address before STOP mode was entered or interrupt vector
	DeepSTOP → RUN	WUF0_Ax, x = 0 to 2	Internal OSC Clock (200 MHz or 240 kHz)	RESET vector of code flash
	Cyclic STOP → Cyclic RUN	WUF0_Ax, x = 0 to 2 WUF0_Iy, y = 0 or 1	Internal OSC Clock (200 MHz or 240 kHz)	RESET vector of code flash
Wake-Up Factor 1	DeepSTOP → Cyclic RUN	WUF1_Ax, x = 0 to 2	Internal OSC Clock (200 MHz or 240 kHz)	RESET vector of retention RAM
	Cyclic STOP → Cyclic RUN	WUF1_Ax, x = 0 to 2 WUF1_Iy, y = 0 or 1	Internal OSC Clock (200 MHz or 240 kHz)	Next address before Cyclic STOP mode was entered or interrupt vector

The wake-up events are controlled by the following standby controller registers:

- Wake-up factor registers: WUF0\_A0, WUF0\_A1, WUF0\_A2, WUF0\_I0, WUF0\_I1, WUF1\_A0, WUF1\_A1, WUF1\_A2, WUF1\_I0, WUF1\_I1

Upon occurrence of an effective wake-up factor, the associated wake-up factor flag is set to 1. By checking these registers and their flags, it is possible to identify the wake-up factor.

- Wake-up factor mask registers: WUFMSK0\_A0, WUFMSK0\_A1, WUFMSK0\_A2, WUFMSK0\_I0, WUFMSK0\_I1, WUFMSK1\_A0, WUFMSK1\_A1, WUFMSK1\_A2, WUFMSK1\_I0, WUFMSK1\_I1

Each bit of these registers is assigned to a certain wake-up factor. Wake-up by this factor is enabled if its mask bit is set to 0. Wake-up factors assigned to both wake-up factor 0 and 1 should not be enabled at the same time.

- Wake-up factor clear registers: WUFC0\_A0, WUFC0\_A1, WUFC0\_A2, WUFC0\_I0, WUFC0\_I1, WUFC1\_A0, WUFC1\_A1, WUFC1\_A2, WUFC1\_I0, WUFC1\_I1

By setting the applicable bits in these registers to 1, the wake-up factor bit (WUFny) in the wake-up factor registers (WUF0\_A0, WUF0\_A1, WUF0\_A2, WUF0\_I0, WUF0\_I1, WUF1\_A0, WUF1\_A1, WUF1\_A2, WUF1\_I0, WUF1\_I1) can be cleared.

Note: The wake-up factor flag in the wake-up factor registers only indicate the occurrence of wake-up factor. These flags do not indicate a transition from chip standby mode to normal operation mode.

Table 4-6 lists the assignment of the wake-up factors to the control register bits and status register bits.

**Table 4-6 Wake-Up Factors**

Wake-Up Factor	Module	Bit Assignment of Wake-Up Factor Registers <sup>1</sup>		STOP → RUN	DeepSTOP → RUN	Cyclic STOP → Cyclic RUN <sup>2</sup>	DeepSTOP → Cyclic RUN
TNMI	Port	WUF0_A0	[0]	√	√	√	√

INTCLMATI0	CLMA0	WUFMSK0_A0	[1]	√	√	√	√
INTCLMATI1	CLMA1	WUFC0_A0	[2]	√	√	√	√
INTCLMATI2	CLMA2	or	[3]	√	√	√	√
WDBT4NMI	WDTBA	WUF1_A0	[4]	√	√	√	√
INTWDTBA	WDTBA	WUFMSK1_A0	[5]	√	√	√	√
INTP0	Port	WUFC1_A0	[6]	√	√	√	√
INTP1	Port		[7]	√	√	√	√
INTP2	Port		[8]	√	√	√	√
INTP3	Port		[9]	√	√	√	√
INTP4	Port		[10]	√	√	√	√
INTP5	Port		[11]	√	√	√	√
INTP6	Port		[12]	√	√	√	√
INTP7	Port		[13]	√	√	√	√
INTP8	Port		[14]	√	√	√	√
INTP9	Port		[15]	√	√	√	√
INTP10	Port		[16]	√	√	√	√
INTP11	Port		[17]	√	√	√	√
INTP12	Port		[18]	√	√	√	√
INTP13	Port		[19]	√	√	√	√
INTP14	Port		[20]	√	√	√	√
INTP15	Port		[21]	√	√	√	√
INTP16	Port	WUF0_A1	[0]	√	√	√	√
INTP17	Port	WUFMSK0_A1	[1]	√	√	√	√
INTP18	Port	WUFC0_A1	[2]	√	√	√	√
INTP19	Port	or	[3]	√	√	√	√
INTP20	Port	WUF1_A1	[4]	√	√	√	√
INTP21	Port	WUFMSK1_A1	[5]	√	√	√	√
INTP22	Port	WUFC1_A1	[6]	√	√	√	√
INTP23	Port		[7]	√	√	√	√
INTP24	Port		[8]	√	√	√	√
INTP25	Port		[9]	√	√	√	√
INTP26	Port		[10]	√	√	√	√
INTP27	Port		[11]	√	√	√	√
INTP28	Port		[12]	√	√	√	√
INTP29	Port		[13]	√	√	√	√
INTP30	Port		[14]	√	√	√	√
INTP31	Port		[15]	√	√	√	√
INTP32	Port		[16]	√	√	√	√
INTP33	Port		[17]	√	√	√	√
INTP34	Port		[18]	√	√	√	√
INTP35	Port		[19]	√	√	√	√
INTP36	Port		[20]	√	√	√	√
INTP37	Port		[21]	√	√	√	√
INTP38	Port		[22]	√	√	√	√
INTP39	Port		[23]	√	√	√	√
WUTRG0	LPS	WUF0_A2	[0]	√	√	√	√
WUTRG1	LPS	WUFMSK0_A2	[1]	√	√	√	√
INTDCUTDI	JTAG	WUFC0_A2	[2]	√	√	√	√
INTTAUJ2I0	TAUJ2	or	[3]	√	√	√	√
INTTAUJ2I1	TAUJ2	WUF1_A2	[4]	√	√	√	√
INTTAUJ2I2	TAUJ2	WUFMSK1_A2	[5]	√	√	√	√

INTTAUJ2I3	TAUJ2	WUFC1_A2	[6]	√	√	√	√	
INTTAUJ3I0	TAUJ3		[7]	√	√	√	√	
INTTAUJ3I1	TAUJ3		[8]	√	√	√	√	
INTTAUJ3I2	TAUJ3		[9]	√	√	√	√	
INTTAUJ3I3	TAUJ3		[10]	√	√	√	√	
INTRTCA01S	RTCA		[11]	√	√	√	√	
INTRTCA0AL	RTCA		[12]	√	√	√	√	
INTRTCA0R	RTCA		[13]	√	√	√	√	
INTADCJ2I0	ADCJ2		[14]	√ *3	√ *3	√ *3	√ *3	
INTADCJ2I1	ADCJ2		[15]	√ *3	√ *3	√ *3	√ *3	
INTADCJ2I2	ADCJ2		[16]	√ *3	√ *3	√ *3	√ *3	
INTADCJ2I3	ADCJ2		[17]	√ *3	√ *3	√ *3	√ *3	
INTADCJ2I4	ADCJ2		[18]	√ *3	√ *3	√ *3	√ *3	
INTRCANGREC C0	RSCFD0		WUF0_I0 WUFMSK0_I0	[0]	√	—	—	—
INTRCAN0REC	RSCFD0		WUFC0_I0	[1]	√	—	—	—
INTRCAN1REC	RSCFD0		or	[2]	√	—	—	—
INTRCAN2REC	RSCFD0		WUF1_I0	[3]	√	—	—	—
INTRCAN3REC	RSCFD0		WUFMSK1_I0	[4]	√	—	—	—
INTRCAN4REC	RSCFD0	WUFC1_I0	[5]	√	—	—	—	
INTRCAN5REC	RSCFD0	[6]	√	—	—	—	—	
INTRCAN6REC	RSCFD0	[7]	√	—	—	—	—	
INTRCAN7REC	RSCFD0	[8]	√	—	—	—	—	
INTRCANGREC C1	RSCFD1	[9]	√	—	—	—	—	
INTRCAN8REC	RSCFD1	[10]	√	—	—	—	—	
INTRCAN9REC	RSCFD1	[11]	√	—	—	—	—	
INTRCAN10REC	RSCFD1	[12]	√	—	—	—	—	
INTRCAN11REC	RSCFD1	[13]	√	—	—	—	—	
INTRCAN12REC	RSCFD1	[14]	√	—	—	—	—	
INTRCAN13REC	RSCFD1	[15]	√	—	—	—	—	
INTRCAN14REC	RSCFD1	[16]	√	—	—	—	—	
INTRCAN15REC	RSCFD1	[17]	√	—	—	—	—	
INTRLIN30	RLIN30	WUF0_I1	[0]	√	—	√	—	
INTRLIN31	RLIN31	WUFMSK0_I1	[1]	√	—	√	—	
INTRLIN32	RLIN32	WUFC0_I1	[2]	√	—	√	—	
INTRLIN33	RLIN33	or	[3]	√	—	√	—	
INTRLIN34	RLIN34	WUF1_I1	[4]	√	—	√	—	
INTRLIN35	RLIN35	WUFMSK1_I1	[5]	√	—	√	—	
INTRLIN36	RLIN36	WUFC1_I1	[6]	√	—	√	—	
INTRLIN37	RLIN37	[7]	√	—	—	√	—	
INTRLIN38	RLIN38	[8]	√	—	—	√	—	
INTRLIN39	RLIN39	[9]	√	—	—	√	—	
INTRLIN310	RLIN310	[10]	√	—	—	√	—	
INTRLIN311	RLIN311	[11]	√	—	—	√	—	
INTRLIN312	RLIN312	[12]	√	—	—	√	—	
INTRLIN313	RLIN313	[13]	√	—	—	√	—	
INTRLIN314	RLIN314	[14]	√	—	—	√	—	
INTRLIN315	RLIN315	[15]	√	—	—	√	—	
INTRLIN316	RLIN316	[16]	√	—	—	√	—	
INTRLIN317	RLIN317	[17]	√	—	—	√	—	
INTRLIN318	RLIN318	[18]	√	—	—	√	—	

INTRLIN319	RLIN319		[19]	√	–	√	–
INTRLIN320	RLIN320		[20]	√	–	√	–
INTRLIN321	RLIN321		[21]	√	–	√	–
INTRLIN322	RLIN322		[22]	√	–	√	–
INTRLIN323	RLIN323		[23]	√	–	√	–

- Notes:
1. To find the exact wake-up factor category and related registers for the corresponding mode transition, please refer to *Table 4-5 Overview of Wake-Up Factors*.
  2. When the transition from Cyclic STOP to Cyclic RUN is made by wake-up factor 0, and the transition to DeepSTOP by STBC0PSC.STBC0DISTRG is made without clearing wake-up factor 0, the transition to RUN mode is made.
  3. These wake-up factors are only available in LPS input mode.

## 4.5 I/O Buffer Control

In chip standby modes, the port groups in AWO area remain their state before entering standby mode. The port groups in ISO area supports the I/O buffer hold state.

In RH850/U2A-EVA device, the following port groups are individually arranged to AWO and ISO area:

- AWO area: JP0, P0, P1, P2, P3, P4, P5, P6, P8; AP4, AP5.
- ISO area: P10, P11, P12, P17, P18, P19, P20, P21, P22, P23; P9, P24; AP0, AP1; AP2, AP3.

During the I/O buffer hold state, the I/O buffer maintains the state before it enters this state. Therefore, no external or internal signal can change the state of the I/O buffer until the I/O buffer hold state is terminated.

Table 4-7 provides the information of buffer operation during chip standby mode and after wake-up.

**Table 4-7 Buffer Operation before, during and after Chip Standby Modes**

Chip Standby Modes	Power Domain	Before Standby	During Standby	After Standby
STOP	AWO	Normal Operation, the I/O buffer remains their state before entering STOP mode		
	ISO			
DeepSTOP	AWO	Normal Operation, the I/O buffer remains their state before entering DeepSTOP mode <sup>*2</sup>		
	ISO	Normal Operation	I/O buffer hold state	I/O buffer hold state <sup>*1</sup>

- Notes: 1. To release the I/O buffer hold state, bit IOHOLDn.IOHOLD\_xxx (n = 0, 2) must be set to 0 after reconfiguration of the peripheral or port function.
2. In the case an alternative function of peripherals in ISO area is assigned to the pin in AWO area, due to the initialization of the peripherals in ISO area by DeepSTOP reset, the state of the I/O buffer may change in the transition of DeepSTOP mode.  
To avoid this behavior, it is recommended to change to function of peripherals in AWO area before entering DeepSTOP mode.

## 4.6 BIST Execution

Referring to Figure 4-1, the RH850/U2A-EVA series incorporates Built-In-Self-Test (BIST) function to detect failures of the safety mechanism itself:

- Power-On BIST, executed in both of ISO and AWO power domains before the CPU starts operation (Field BIST0), during the reset sequence of Power On reset, System Reset 1 and System Reset 2.
- Standby-Resume BIST, executed in ISO power domain only during the reset sequence of DeepSTOP reset before the CPU starts operation.

In accordance with the setting of the BSEQ1CTL and BSEQ2CTL registers, After DeepSTOP reset is generated,

- Field BIST1 (FBIST1) is executed on the transition from DeepSTOP mode to RUN mode,
- Field BIST2 (FBIST2) is executed on the transition from DeepSTOP mode to Cyclic RUN mode.

This section describes the details of Standby-Resume BIST.

The BIST consists of Logic BIST (LBIST) and Memory BIST (MBIST). LBIST is considered as the effective hardware safety mechanism to measure latent faults which can reduce software load for error injection tests.

Any of MBIST, LBIST and both can be selected for Standby-Resume BIST by setting either flash option byte 3 or BSEQ0SEL register.

BIST execution results can be identified by the BIST result register (BISTST).

Table 4-8 Explains the conditions of FBIST1 and FBIST2 execution.

**Table 4-8 Execution Conditions of Standby-Resume BIST**

Reset Category	BIST	$\overline{\text{TRST}}$ pin	BSEQnCTL. HWBISTEXE		Execution
DeepSTOP Reset (DeepSTOP → RUN)	FBIST1	High	n = 1	0	BIST is skipped. *1 Reset is released without waiting the range of time.
				1	BIST is not executed. *2 Reset is released after waiting the range of time.
		Low	n = 1	0	BIST is skipped. Reset is released without waiting the range of time.
				1	BIST is executed. Reset is released after BIST is finished.
DeepSTOP Reset (DeepSTOP → Cyclic RUN)	FBIST2	High	n = 2	0	BIST is skipped. Reset is released without waiting the range of time.
				1	BIST is not executed. *1 Reset is released after waiting the range of time.
		Low	n = 2	0	BIST is skipped. Reset is released without waiting the range of time.
				1	BIST is executed. Reset is released after BIST is finished.

Notes: 1. In this case, BIST is completely not executed.

2. In this case, BIST timer still operates, it will affect to start-up time.

## 5. Module Standby Mode

This module standby mode stops the clock supply to the peripheral macros to reduce the power consumption in accordance with register settings.

The behavior of the peripheral clocks in both chip standby and module standby modes can be defined in MSR registers.

The peripheral which is in the Module standby mode is not reset and the register access is prohibited.

### 5.1 Procedure of Module Standby Mode

Example of the procedure of module standby mode is shown below.

#### 5.1.1 Transition to Module Standby Mode

- Check the modules that participate in the module standby mode have completed the operation and are in idle state and no other module or external pin may activate the module. For the details of the way to confirm the idle state of the modules, see the section related to each module.
- Check the Software Module Reset Status Register of modules that participate in the module standby mode is 0. (SWMRESS\_<name>. SWMRESS\_<name>\_n = 0)
- Stop all target clock domains that participate in the module standby mode. (MSR\_<name>.MS\_<name>\_n = 1)

#### 5.1.2 Cancelling Module Standby Mode

- Check the Software Module Reset Status Register of modules that participate in the module standby mode is 0. (SWMRESS\_<name>. SWMRESS\_<name>\_n = 0)
- Start all target clock domains that cancels Module standby mode. (MSR\_<name>.MS\_<name>\_n = 0)
- Read the value of MSR\_<name>.MS\_<name>\_n bit and check the value is 0. In case of cancellation it is necessary to wait until clock is supplied to module.

## 5.2 Module Standby Registers

Table 5-1 shows the peripherals and their clock operation propriety in each operation mode.

**Table 5-1 MSR Registers**<sup>\*2 \*3</sup>

Module	Power Domain	MSR Register		
		Register Name	Bit MS_<name>	Bit STPMSK_<name>
WDBTA	AWO	MSR_WDTB_AWO	–	STPMSK_WDTB_AWO
TAUJ2 TAUJ3		MSR_TAUJ_AWO	MS_TAUJ_2 to 3	STPMSK_TAUJ_AWO
RTCA		MSR_RTCA	MS_RTCA_0	STPMSK_RTCA
ADCJ2		MSR_ADCJ_AWO	MS_ADCJ_2	STPMSK_ADCJ_AWO
RS-CANFD		MSR_RSCFD	MS_RSCFD_0 to 1	STPMSK_RSCFD
FLXA	ISO	MSR_FLXA	MS_FLXA_0 to 1	–*1
GTM		MSR_GTM	MS_GTM_0	–*1
Ethernet		MSR_ETNB	MS_ETNB_0 to 1	–*1
RSENT		MSR_RSENT	MS_RSENT_0 to 7	–*1
MSPI		MSR_MSPI	MS_MSPI_0 to 9	–*1
RLIN3		MSR_RLIN3	MS_RLIN3_0 to 23	STPMSK_RLIN3
ADCJ0 ADCJ1		MSR_ADCJ_ISO	MS_ADCJ_0 to 1	–*1
CXPI		MSR_CXPI	MS_CXPI_0 to 3	–*1
MMCA		MSR_MMCA	MS_MMCA_0	–*1
ENCA		MSR_ENCA	MS_ENCA_0 to 1	–*1
PSI5		MSR_PSI5	MS_PSI5_0 to 3	–*1
PSI5-S		MSR_PSI5S	MS_PSI5S_0 to 1	–*1
PWM-Diag		MSR_PWMD	MS_PWMD	–*1
RHSIF		MSR_RHSIF	MS_RHSIF_0	–*1
RIIC		MSR_RIIC	MS_RIIC_0 to 1	–*1
SCI3		MSR_SCI3	MS_SCI3_0 to 2	–*1
TAPA		MSR_TAPA	MS_TAPA_0 to 3	–*1
TAUD0 to 2		MSR_TAUD	MS_TAUD_0 to 2	–*1
TAUJ0 TAUJ1		MSR_TAUJ_ISO	MS_TAUJ_0 to 1	–*1
TPBA		MSR_TPBA	MS_TPBA_0 to 1	–*1
TSG3		MSR_TSG3	MS_TSG3_0 to 1	–*1
OSTM		MSR_OSTM	MS_OSTM_0 to 9	–*1

Notes: 1. There is no STPMSK\_<name> bit in MSR registers for these peripherals, the clock is automatically stopped in chip standby modes.

2. MSR does not cover the clock operation settings of LPS, PIC, ECM, KCRC, SFMA, WDTB0 to 3 and OTS, for the clock operation of these peripherals, please refer to *Section 4.3 'Chip Standby Modes'* in this document.

3. Before configuring the MSR\_<name> registers, the key code protection register MSRKCPROT must be set to A5A5A501<sub>H</sub>.

### 5.3 Behavior of Module Standby Mode during Chip Standby Mode

Depending on the state of module standby register MSR\_<name>, the clock supply state in each operation mode and chip standby mode is shown in Table 5-2.

**Table 5-2 Module Standby Settings and Clock Supply of Peripherals in Chip Standby Mode**

Register MSR_<name>		Operation Mode		Chip Standby Mode		
Bit MS_XXX	Bit STPMSK_XXX	RUN	Cyclic RUN	STOP	DeepSTOP	Cyclic STOP
0	0	Operable	Operable	Stop	Stop	Stop
	1	Operable	Operable	Operable	Operable	Operable
1	0	Stop	Stop	Stop	Stop	Stop
	1	Stop	Stop	Stop	Stop	Stop

## 6. Low-Power Sampler (LPS)

This section provides information about low power sampler and some typical use cases, in that the LPS is used to cyclically poll either digital inputs, analog inputs or both.

### 6.1 Overview

The Low-Power Sampler (LPS) provides the possibility to periodically poll digital and/or analog inputs without the need for any interactions of the CPU. Applying only peripherals that reside on the AWO are, the LPS can operate in any standby mode, especially the DeepSTOP mode.

Wake-up of the device from the standby mode is only required, if the input values sampled by the LPS are not within programmable limits.

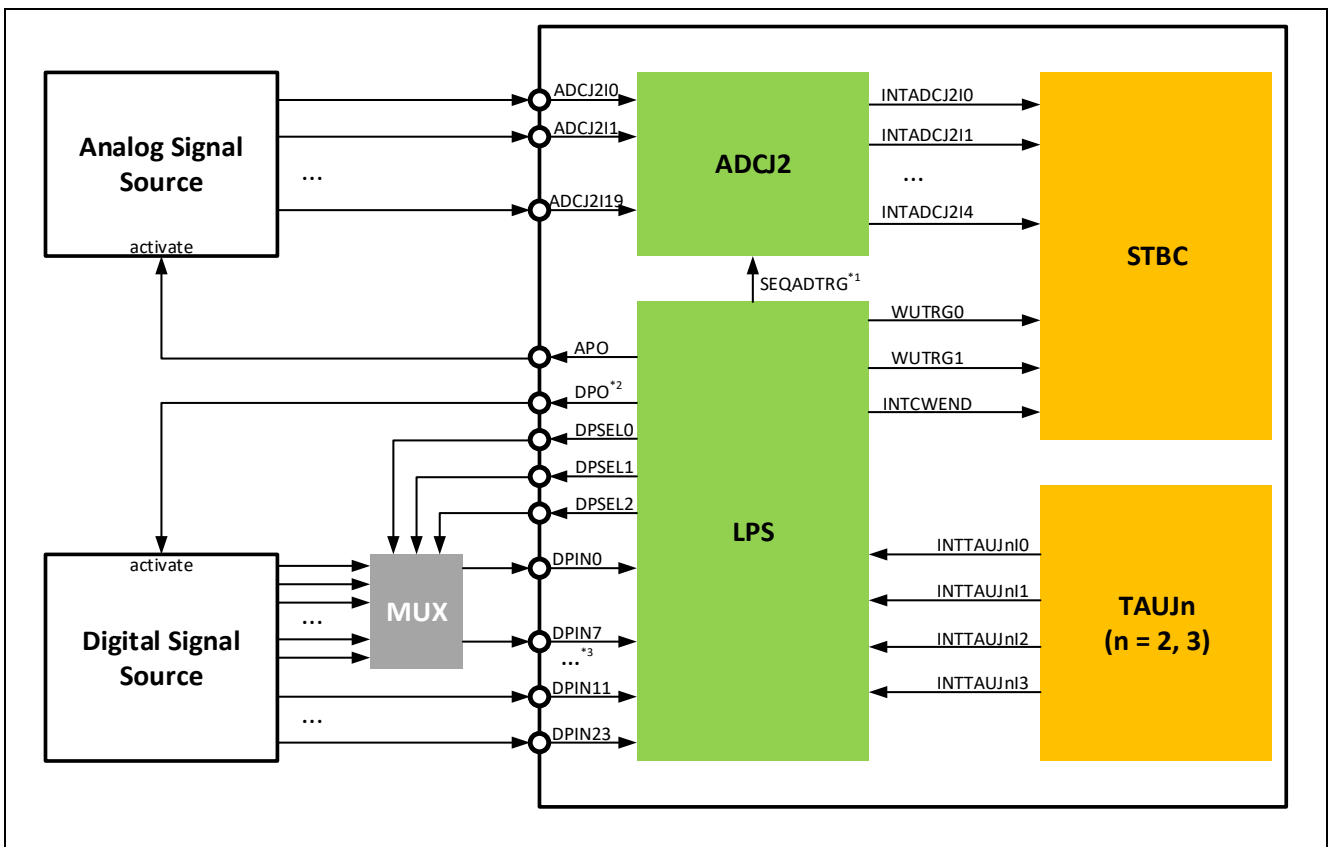
As the complete flow of input signal polling and evaluation is performed by a dedicated HW, the average power consumption addition to any standby mode is very small.

Each RH850/U2A-EVA device contains a low-power sampler, including different channel configurations as it is shown in Table 6-1.

A complete LPS application is related to the following peripherals:

- LPS
- Clock Controller
- ADCJ2
- TAUJ2, TAUJ3
- STBC

Figure 6-1 shows a connection example (RH850/U2A-EVA device) between the main components of the LPS and the external circuit.



- Notes: 1. SEQADTRG is one of the Hardware triggers for A/D conversion. The APO is set to 1, after the stabilization time that is configured by register CNTVAL, the LPS outputs a trigger to A/D converter.
2. When the port input is acquired for the first time in a operation cycle, the DPO is set to 1.
3. DPSEL2 to DPSEL0 are assigned to the same alternate-function pins as DPIN10 to DPIN8. Thus cannot be used simultaneously.

**Figure 6-1 Block Diagram of the LPS**

This section contains a description of the generic functions and configuration for the Low-Power Sampler (LPS).

In this section, the individual LPS units are identified by the index “n”.

The number of digital port input channels for LPS port polling, as well as the number of analog input channels for A/D converter, is indicated by the index “m”.

The external multiplexer select output signal for digital port is indicated by the index “k”.

LPS sequence start trigger input signal is indicated by the index “x”.

For RH850/U2A-EVA devices, n = 0, k = 0 to 2, x = 0 to 3. The index “m” is device-dependent, the detailed information is listed in the following Table.

**Table 6-1 LPS Channels of RH850/U2A-EVA Devices**

Devices		Channel Name	
		Digital Port Input DPINm	Analog Port Input ADCJ2Im
RH850/U2A-EVA	516 pins	24 Ch	20 Ch
RH850/U2A-16	516 pins	24 Ch	20 Ch
	373 pins	15 Ch	20 Ch
	292 pins	5 Ch	5 Ch
RH850/U2A-8	373 pins	15 Ch	20 Ch
	292 pins	5 Ch	5 Ch
RH850/U2A-6	292 pins	5 Ch	5 Ch
	176 pins	5 Ch	5 Ch
	156 pins	0 Ch	0 Ch
	144 pins	5 Ch	0 Ch

LPS operation is started by interval timer TAUJ2/TAUJ3 on AWO area and ended by the wake-up factors or sequencer end. During the operation, the external events are checked periodically.

The following sections provides the detailed information of 3 input modes:

- Digital input mode
- Analog input mode
- Mixed input mode

## 6.2 Digital Input Mode

### 6.2.1 General Feature of Digital Input Mode

According to Figure 6-2, the digital input ports DPINm are connected to the digital signal source.

Up to 64 input ports can be monitored if multiplexer is connected externally. Port DPSELk is used to switch the external multiplexer. The DPSELk output is switched for the number of times specified in the SCTLR register.

TAUJ2/TAUJ3 is used to set the timing to check the value input to the port.

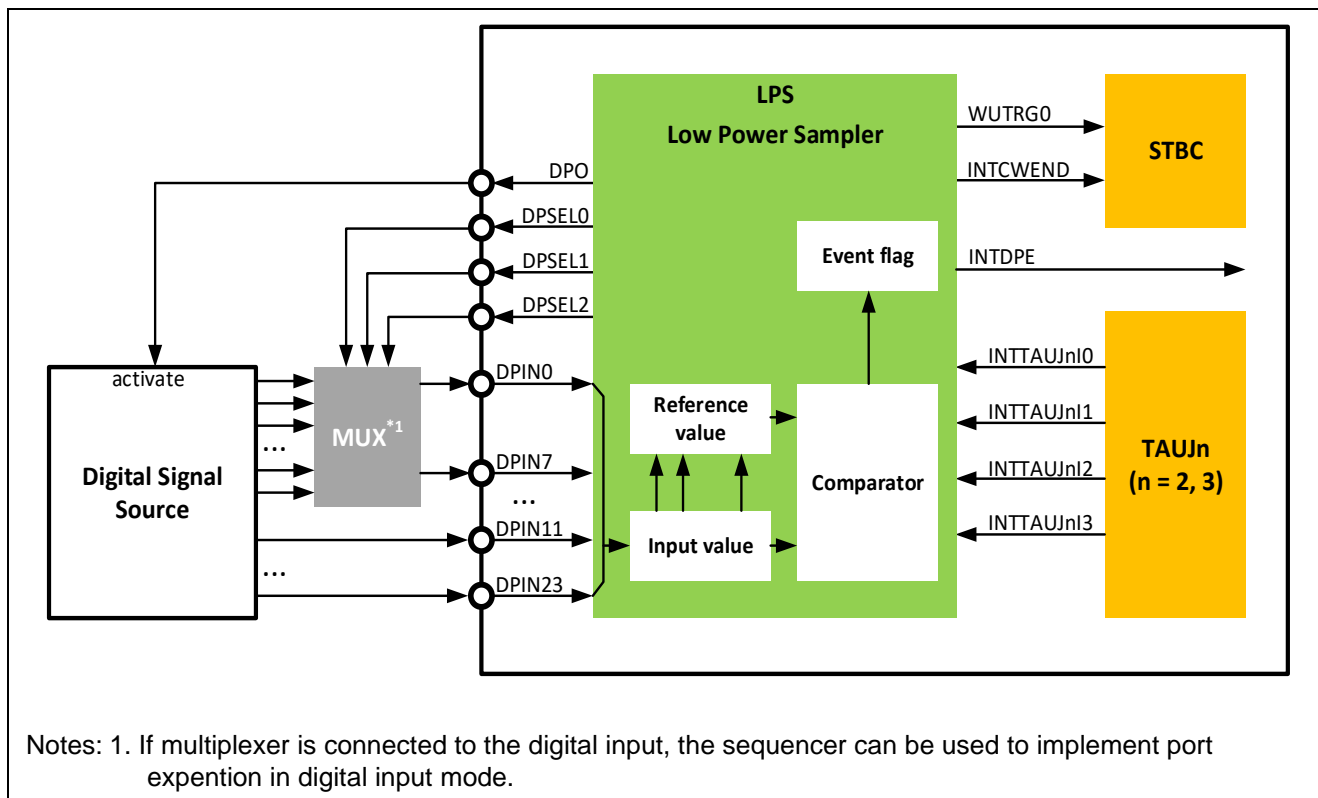


Figure 6-2 Block Diagram for the Digital Input Mode of LPS

Upon a trigger by the interval set by a TAUJ2 or TAUJ3 channel the input polling sequence is started.

When the HS IntOSC is stopped in a standby mode, the operation of the HS IntOSC will be resumed while the sequencer is running.

In case an external multiplexer is used (to increase the number of digital inputs), the multiplexer is set to the desired address by the DPSELk outputs. After setting a new address, the operation waits a stabilization time, this is set in the register CNTVAL.

The port check is then executed.

The digital input values are captured and stored in the DPIN data input monitor registers DPDIMR0 to 7. The reference value is set by the DPIN data set registers DPDSR0, DPDSRM and DPDSRH.

The comparator compares the input value and the reference value. If both values don't match, the event flag of the register EVFR is set to 1 and the low-power sampler outputs a wake-up factor WUTRG0 to the standby controller.

The interrupt INTDPE is triggered in case of a comparison mismatch in any operation modes.

At the completion of checking all ports that have been set, an INTCWEND interrupt occurs.

For details, referring to the related description in the chapter 'Low-Power Sampler (LPS)', sub-chapter 'Digital

Input Mode' in the User's Manual, on the:

- Figure 16.5 Operation of Digital Input Mode (8 Ports × 8) when the Input Value is not Changed (RUN Mode) and
- Figure 16.6 Operation of Digital Input Mode (24 Ports × 1) when the Input Value is Changed (DeepSTOP Mode).

## 6.2.2 Configuration of Digital Input Mode

In digital input mode, the digital source signals and the digital sensor control signal DPO is used by the low-power sampler. If the input is extended using multiplexer, the multiplexer selection signals are output from LPS to choose the corresponding input.

### (1) TAUJ2 or TAUJ3 configuration for digital input mode:

The low-power sampler can be started by the TAUJn (n = 2 or 3) trigger. To configure a TAUJn channel, the following TAUJn registers listed in Table 6-2 must be specified.

**Table 6-2 TAUJ Configuration for LPS Application**

Operation	Register	Bit Name	Bit Position
Select the clock source of CLKA_TAUJ <sup>n</sup> 1.	CKSC_ATAUJC	ATAUJSCSID[1:0]	1 to 0
Specify the TAUJn Clock for	TAUJnTPS	TAUJnPRS0[3:0]	3 to 0
		TAUJnPRS1[3:0]	7 to 4
		TAUJnPRS2[3:0]	11 to 8
		TAUJnPRS3[3:0]	15 to 12
Specify CK3_PRE clock division factor for CK3.	TAUJnBRS	TAUJnBRS[7:0]	7 to 0
Specify the operation mode. In this application, the interval timer mode is selected.	TAUJnCMORm	TAUJnMD[4:0]	4 to 0
Determine the timing to update the data register TAUJnCDRm and status register TAUJnCSRm.		TAUJnCOS[1:0]	7 to 6
Select the external start trigger. In this application, the software trigger is selected by setting these bit to 0H.		TAUJnSTS[2:0]	10 to 8
Set master or slave channel if synchronous channel operation is required.		TAUJnMAS	11
Select a count clock for TAUJnCNTm counter.		TAUJnCCS[1:0]	13 to 12
Select an operation clock, which is used with the TAUJnTTINm input edge detection circuit.		TAUJnCKS[1:0]	15 to 14
Configure of a valid edge of input signal TAUJnTTINm.		TAUJnCMURm	TAUJnTIS[1:0]
Enable/disable simultaneous rewrite of the data register of channel 3 to 0.	TAUJnRDE	TAUJnRDE03 to 00	3 to 0
Specify when the signal that triggers simultaneous rewrite is generate	TAUJnRDM	TAUJnRDM03 to 00	3 to 0
Trigger the simultaneous rewrite enabling state.	TAUJnRDT	TAUJnRDT03 to 00	3 to 0
Enable/disable Independent Channel Output Function.	TAUJnTOE	TAUJnTOE03 to 00	3 to 0
Specify the channel output mode to independent or synchronous output mode	TAUJnTOM	TAUJnTOM03 to 00	3 to 0
Specify the output mode.	TAUJnTOC	TAUJnTOC03 to 00	3 to 0
Determine the output logic of the channel.	TAUJnTOL	TAUJnTOL03 to 00	3 to 0
Specify and reads the level of TAUJnTTOUTm.	TAUJnTO	TAUJnTO03 to 00	3 to 0

Enable the counter operation for channel m.	TAUJnTS	TAUJnTS03 to 00	3 to 0
---	---------	-----------------	--------

Notes: 1. This register is write-protected register.

In a LPS application, the TAUJn is configured as an interval timer.

For further information of TAUJ functions and configuration please refer to the HW User's Manual R01UH0864EJxxxx Section 13.5.5 'Clock Selector/Divider Control Register' and Section 34 'Timer Array Unit J'.

### (2) Pin Functions configuration for digital input mode:

In digital input mode, the sequencer has following external input/output signals:

- DPO
- DPSELk
- DPINm

To enable these LPS input and output, the related pins must operate in software I/O control alternative function mode, the port registers listed in Table 6-3 should be set.

An overview of the selection for alternative mode is provided in Table 6-4. For the arrangement of port alternative functions, please refer to the HW User's Manual R01UH0864EJxxxx Section 2 'Pin Functions'.

**Table 6-3 Port Configuration for LPS Operation**

Operation	Register	Bit Name	Bit Position
Specify the operation mode of the corresponding pin.	PMcN	PMcN_15 to 0	15 to 0
specify the I/O control mode.	PIPCn	PIPCn_15 to 0	
Select the I/O direction.	PMn	PMn_15 to 0	
Setup the alternative functions.	PFCn	PFCn_15 to 0	
	PFCEn	PFCEn_15 to 0	
	PFACEn	PFACEn_15 to 0	

**Table 6-4 Alternative Mode Selection Overview**

Alternative-Function	Bit Name							
	PMcN_m	PIPCn_m*1	PMn_m	PFCAEn_m	PFCEn_m	PFCn_m		
Output Mode 1	1	0	0	0	0	0		
Input Mode 1			1					
Output Mode 2			0				0	1
Input Mode 2			1					
Output Mode 3			0		1	0		
Input Mode 3			1					
Output Mode 4			0				1	1
Input Mode 4			1					
Output Mode 5			0	1	0	0		
Input Mode 5			1					
Output Mode 6			0				0	1
Input Mode 6			1					
Output Mode 7			0		1	0		
Input Mode 7			1					
Output Mode 8			0				1	1
Input Mode 8			1					

Note: 1. If PIPcN.PIPCn\_m=1, the I/O direction is directly controlled by the peripheral (alternative function) and PM is ignored.

### (3) LPS configuration for digital input mode:

To switch the LPS into digital mode, the registers listed in Table 6-5 must be specified, and the LPS status of digital input mode can be checked in the registers in Table 6-6.

**Table 6-5 Configuration of LPS for Digital Input Mode**

Operation		Register*2	Bit Name	Bit Position
Enable comparison, specify the corresponding compare target bit in	DPDSR0, DPDIMR0	DPSELR0	D0EN_23 to 0	23 to 0
	DPDSRM, DPDIMRM	DPSELRM	D1EN_7 to 0	7 to 0
			D2EN_7 to 0	15 to 8
			D3EN_7 to 0	23 to 16
			D4EN_7 to 0	31 to 24
	DPDSRH, DPDIMRH	DPSELRH	D5EN_7 to 0	7 to 0
			D6EN_7 to 0	15 to 8
D7EN_7 to 0			23 to 16	
specifies the data to be compared with the data captured at a digital input pin and stored in	DPDIMR0	DPDSR0	D0_23 to 0	23 to 0
	DPDIMR4 to DPDIMR1	DPDSRM	D1_7 to 0	7 to 0
			D2_7 to 0	15 to 8
			D3_7 to 0	23 to 16
			D4_7 to 0	31 to 24
	DPDIMR7 to DPDIMR5	DPDSRH	D5_7 to 0	7 to 0
			D6_7 to 0	15 to 8
D7_7 to 0			23 to 16	
Specify the stabilization time*1 of the external circuits. Stabilization time = $(1 / (f_{HS\_IntOsc}/20)) \cdot 16 \cdot CNT0n$		CNTVAL	CNT0[7:0]	7 to 0
Specify the number of times the port is read in digital input mode.		SCTLR	NUMDP[2:0]	6 to 4
Select the TAUJ2/TAUJ3 channel			TJIS[2:0]	7, 3 to 2
Enable digital input mode.			DPEN*3	0

- Notes: 1. When the DPO output is set to 1, the port input is acquired for the first time after the setting time.  
2. These bits above must be set before the sequence operation is started, i.e. when SCTLR.DPEN = 0, SCTLR.ADEN = 0 and SOSTR.SOF = 0.  
3. After all the LPS configuration is finished, the bit DPEN can be set to 1 to enable the digital input mode.

**Table 6-6 Status and Result Registers of LPS**

Register	Bit Name	Bit Value	Contents
SOSTR	SOF	0	Operation of the LPS is not started
		1	Operation of the LPS is in progress
EVFR	DINEVF	0	The result of comparison is match
		1	The result of comparison is mismatch

For further information, please refer to HW User's Manual *Section 16.3 'Registers (LPS)'*.

(4) **STBC configuration for digital input mode:**

The LPS can run in any operation/standby mode of the device. Still, the typical use case is its operation while the device remains in DeepSTOP mode. Therefore, this use case will further be described here.

To wake-up the device from DeepSTOP mode to RUN mode in case the polled valued does not match the expected value, the STBC peripheral must be configured as is described below:

- Set the Wake-Up Factor Mask registers WUFMSK0\_A2.  
The wake-up factor WUTRG0 can be enabled by setting the bit WUFMSK0\_A2 [0] of this register to 0.

- Start DeepSTOP mode using the Power Save Control register STBC0PSC.
- After the operation mode of the MCU is switched into RUN mode:
  - Clear the wake-up factor by writing 1 to the corresponding bit of the Wake-Up Factor Clear register WUFC0\_A2.
  - Release the I/O hold state by writing 0 to the IOHOLD0 and IOHOLD2 registers.

## 6.3 Analog Input Mode

### 6.3.1 General Feature of Analog Input Mode

In analog input mode, the analog input ports that are connected to the analog signal sources can be supervised. Please refer to Figure 6-3 for an overview.

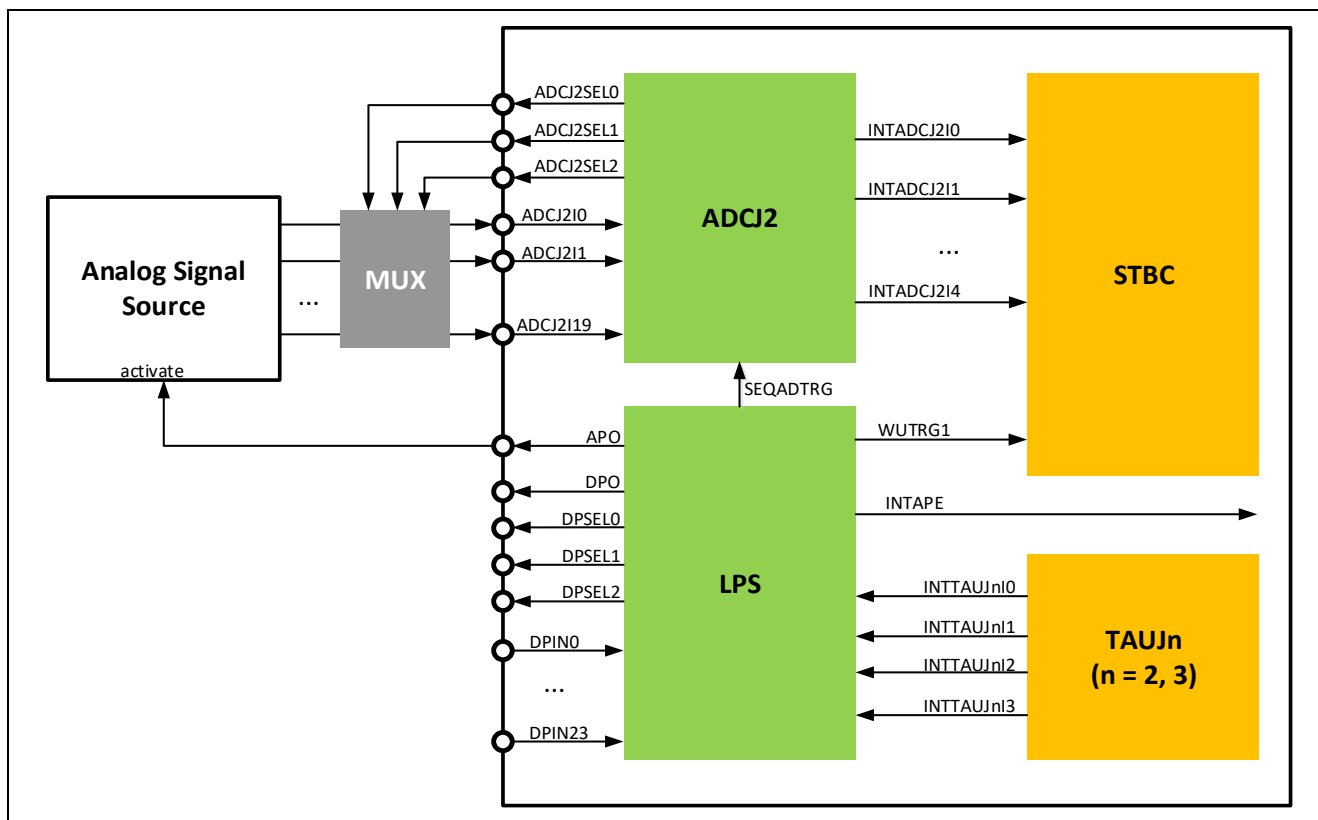


Figure 6-3 Block Diagram for the Analog Input Mode of LPS

Upon a trigger by the interval set by a TAUJ2 or TAUJ3 channel the input polling sequence is started.

When the HS IntOSC is stopped in a standby mode, the operation of the HS IntOSC will be resumed while the sequencer is running.

The APO signal is set to 1 to activate the analog signal sources (e.g. sensors). After the APO wait time is passed, an A/D conversion trigger is sent to the ADCJ2.

The A/D conversion trigger of the LPS starts the conversion of the related Scan Group (the Scan Group that has selected this trigger).

In case a multiplexer is used to increase the number of analog signals, it is controlled by the logic of the ADCJ.

The analog inputs are converted by the ADCJ2 and the conversion result is evaluated/compared using the ADCJ upper/lower limit function. If the input signal is not in the expected voltage range, an LPS0 analog port error interrupt interrupt INTAPE is generated, what results in the occurrence of a wake-up factor WUTRG1.

For details, referring to the related description in the *Section 16.5 'Analog Input Mode'* in the HW User's

Manual, to the following figures:

- *Figure 16.9 Operation of Analog Input Mode when the Conversion Result is within the Expected Range (RUN Mode) and*
- *Figure 16.10 Operation of Analog Input Mode when the Conversion Result is not within the Expected Range (DeepSTOP Mode).*

### 6.3.2 Configuration of Analog Input Mode

In analog input mode, the input signals are connected to the A/D converter, the low-power sampler outputs the APO signal and triggers the ADCJ2, and the standby controller receives the wake-up factor WUTRG1 and INTADCJ2ERR if the input is out of the expected voltage range.

#### (1) TAUJ2 or TAUJ3 configuration for analog input mode:

To configure TAUJ2/TAUJ3 for analog input mode, please refer to *Section 6.2.2 (1) TAUJ2 or TAUJ3 configuration for digital input mode.*

#### (2) Pin functions configuration for analog input mode:

In analog input mode, the sequencer has following external input/output signals:

- APO
- ADCJ2Im

To configure the LPS output signal APO, the related pins must operate in software I/O control alternative function mode, for details please refer to *Section 6.2.2 (2) Pin functions configuration for digital input mode.*

The ADCJ2 inputs are special alternative pins that are permanently connected to the A/D module.

To configure the ADCJ I/O channels please refer to the HW User's Manual R01UH0864EJxxxx *Section 2 'Pin Functions'*.

#### (3) ADCJ2 configuration:

The following setup in Table 6-7 is required for using the ADCJ2:

**Table 6-7 ADCJ2 Configuration<sup>\*2</sup>**

Function	Register	Bit Name	Bit Position
Select the clock for ADCJ2.	CKSC_AADCC	AADCSCSID[1:0]	1, 0
Set the suspending method between scan groups.	ADCJ2ADCR1	SUSMTD[1:0]	1, 0
Specify the data format of conversion result in ADCJ2DRj and ADCJ2PWDDR registers.	ADCJ2ADCR2	DFMT[2:0]	6 to 4
Select the addition count of addition mode A/D conversion.		ADDNT	0
Enable/disable trigger overlap check error interrupts.	ADCJ2SFPCR	TOCEIE	6
Set read and clear enable operation.		RDCLRE	4
Enable/disable overwrite error interrupts.		OWEIE	2
Enable/disable parity error interrupts.		PEIE	1
Enable/disable ID error interrupts.		IDEIE	0
Specify the upper-limit threshold value of A/D conversion values.	ADCJ2VCULLMTBR0 to 7	VCULMTB[15:0]	31 to 16
Specify the lower-limit threshold value of A/D conversion values.		VCLLMTB[15:0]	15 to 0
Enable/disable output of upper/lower limit check interrupt.	ADCJ2VCLMINTER1	ADUL31IE to ADUL00IE	31 to 0
	ADCJ2VCLMINTER2	ADUL63IE to ADUL32IE	31 to 0

Specify if upper/lower limit check status is reported.	ADCJ2VCLMSR1	VC31LMS to VC00LMS	31 to 0	
	ADCJ2VCLMSR2	VC63LMS to VC32LMS	31 to 0	
Specify extended sampling period if extended sampling A/D conversion mode is selected in CNVCLS[3:0].	ADCJ2SMPCR	EXSMPT[7:0]	23 to 16	
Enable/disable buffer amplifier.		BUFAMPD	15	
Enable/disable the selection of sampling period.		SMPTS	12	
Specify the sampling period.		SMPT[7:0]	7 to 0	
Specify the normal/addition mode in which the wiring-break detection is performed.	ADCJ2ODCR	WADDE	8	
Select the pulse width of wiring-break detection.		ODPW[4:0]	4 to 0	
Enable/disable the overlap check function.	ADCJ2TOCCR	TOCE	0	
Set a virtual channel to monitor the A/D conversion timing signal.	ADCJ2ADENDP0 to 4	ENDP[5:0]	5 to 0	
Set the initial phase of A/D timer x.	ADCJ2ADTIPR3 to 4	ADTIP[20:0]	20 to 0	
Set the cycle of A/D timer x.	ADCJ2ADTPRR3 to 4	ADTPR[20:0]	20 to 0	
Set voltage dividing resistor.	ADCJ2VMONVDCR1	VDE1	0	
	ADCJ2VMONVDCR2	VDE2	0	
Specify the end virtual channel.	ADCJ2SGVCPR0 to 4	VCEP[6:0]	14 to 8	
Specify the starting virtual channel.		VCSP[6:0]	6 to 0	
Specify the scan count in multicycle scan mode.	ADCJ2SGMCYCR0 to 4 <sup>*1</sup>	MCYC[7:0]	7 to 0	
Setup arbitrary wait time before executing a virtual channel.	ADCJ2WAITTR 0 to 7	WAITTIME[13:0]	13 to 0	
Select an upper/lower limit check table register to be compared.	ADCJ2VCRn	VCULLMTBS[3:0]	31 to 28	
Select the wait time to be inserted before executing a virtual channel.		WTTS[3:0]	27 to 24	
Select whether to perform entry to the GTM.		GTMENT	20	
Set the channel of GTM if entry is requested.		GTMTAG[3:0]	19 to 16	
Select conversion type.		CNVCLS[3:0]	14 to 11	
Set the channel of external MPX to be transferred to the external analog multiplexer.		MPXV[2:0]	10 to 8	
Enable/disable virtual channel interrupt.		ADIE	7	
Set A/D conversion for each conversion mode <sup>*2</sup> .		GCTRL[5:0]	5 to 0	
Enable/disable A/D conversion simultaneous start.		ADCJ2SGCR0 to 4	ADSTARTE	6
Set scan mode of scan group x.			SCANMD	5
Enable/disable scan end interrupt.	ADIE		4	
Enable/disable hardware triggers of scan group x.	TRGMD		0	
Select hardware trigger <sup>*3</sup> for A/D conversion.	ADCJ2SGTSELx	T2SEL[5:0]	5 to 0	

Notes: 1. Setup of this register is only required if the multicycle scan mode is selected in register ADCJ2SGCRx.

2. The setup details for RH850/U2A-EVA devices are described in HW User's Manual *Section 43.3.2.1 'ADCJnVCRj — Virtual Channel Register j'*.
3. The hardware triggers for A/D conversion are described in HW User's Manual *Section 43.3.4.1 'ADCJnSGTSELx — Scan Group x Start Trigger Control Register'*.

(4) **LPS configuration for analog input mode:**

To switch the LPS into analog input mode, the registers listed in Table 6-8 below must be specified:

**Table 6-8 Configuration of LPS for Analog Input Mode**

Operation	Register*2	Bit Name	Bit Position
Specify the stabilization time*1 of the external circuits. Stabilization time = $(1 / (f_{HS\_IntOSC}/20)) \cdot 16 \cdot CNT1n$	CNTVAL	CNT1[7:0]	15 to 8
Select the TAUJ2/TAUJ3 channel.	SCTLR	TJIS2	7
		TJIS[1:0]	3 to 2
Enable analog input mode.		ADEN*3	0

- Notes:
1. When the APO output is set to 1, the port input is acquired after the LPS outputs the A/D conversion trigger to ADCJ2 within the setting time.
  2. These bits above must be set before the sequence operation is started, i.e. when SCTLR.DPEN = 0, SCTLR.ADEN = 0 and SOSTR.SOF = 0.
  3. After all the LPS configuration is finished, the bit ADEN can be set to 1 to enable the digital input mode.

The LPS status of analog mode can be checked in the LPS Operation State register SOSTR. For detailed information, please refer to *Section 6.2.2 (3) LPS Configuration for digital input mode*.

(5) **STBC Configuration for analog input mode:**

For analog input mode, the STBC peripheral configuration is described below:

- Set the Wake-Up Factor Mask registers WUFMSK0\_A2.
  - The wake-up factor WUTRG1 can be enabled by setting bit WUFMSK0\_A2 [1] in this register to 0.
  - If a cyclic operation is required after the A/D conversion, the wake-up factor INTADCJ2Ix of the scan group x, that is employed for the application, can be enabled by setting 0 to the bit WUFMSK1\_A2[x] of register WUFMSK1\_A2, where x = 14 to 18.
- Start the DeepSTOP mode using the Power Save Control register STBC0PSC.
- After the operation mode of the MCU is switched into RUN mode:
  - Clear the wake-up factor by writing 1 to the corresponding bit of the Wake-Up Factor Clear register WUFC0\_A2.
  - Release the I/O hold state by setting 0 to the IOHOLD0 and IOHOLD2 register.

## 6.4 Mixed Mode

If digital input mode and analog input mode are both required in an application use case, the low-power sampler operates in the mixed mode.

Figure 6-4 illustrates the basic flow chart of the LPS mixed mode.

The mixed mode is an operation mode includes both digital and analog input mode. Therefore, the configuration of mixed mode is a combination of digital and analog input mode. For details, please refer to *Section 6.3.2 and 6.3.3*.

## 6.5 Pin Assignment

For the external input/output and pin assignment of LPS, please refer to the Attachment “LPS External Input\_Output and Pin Assignment.xlsx”.

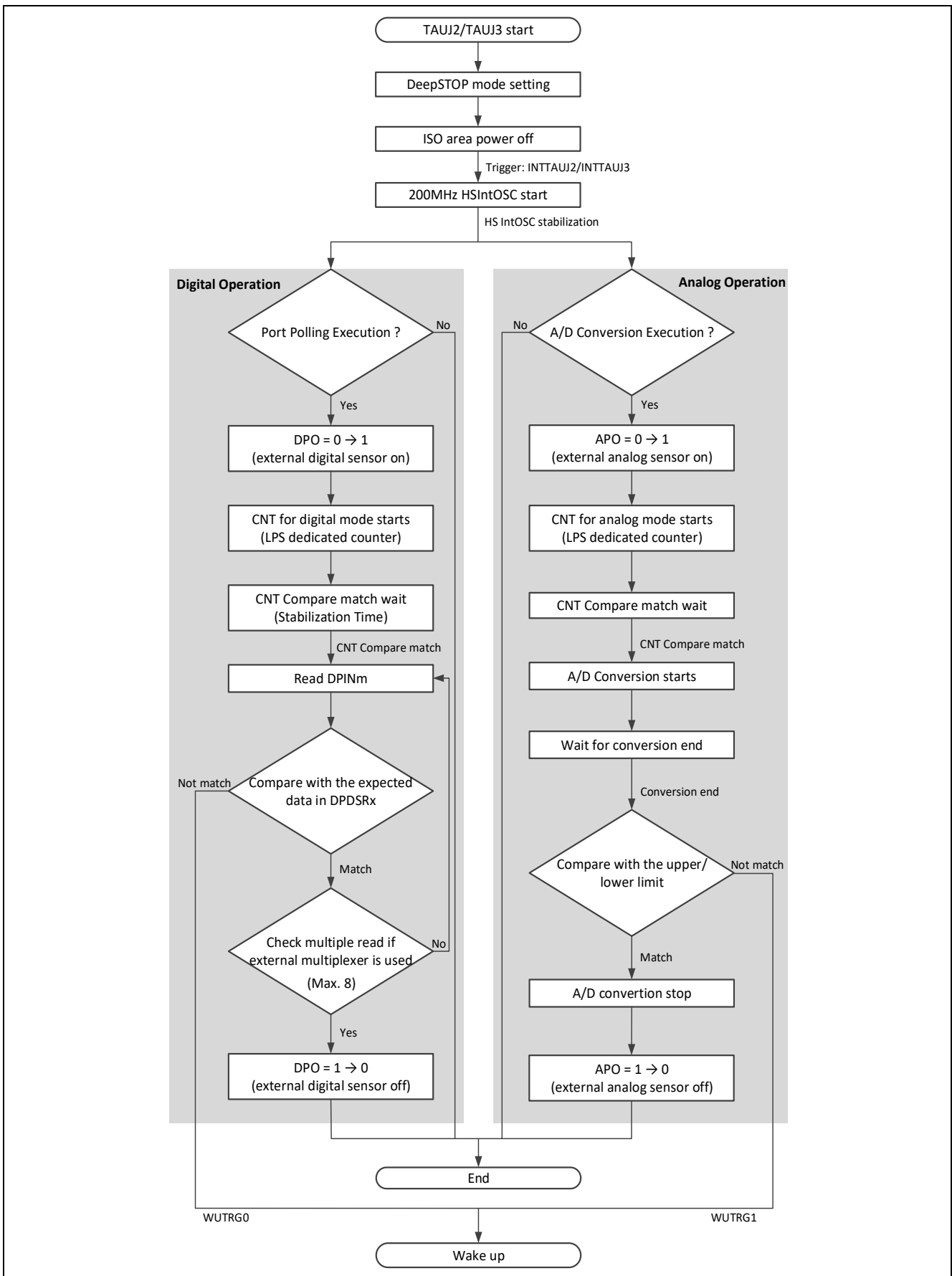


Figure 6-4 Basic flow chart of the mixed mode

## 7. Use Cases

This section shows several examples of the low-power operation as typical use cases.

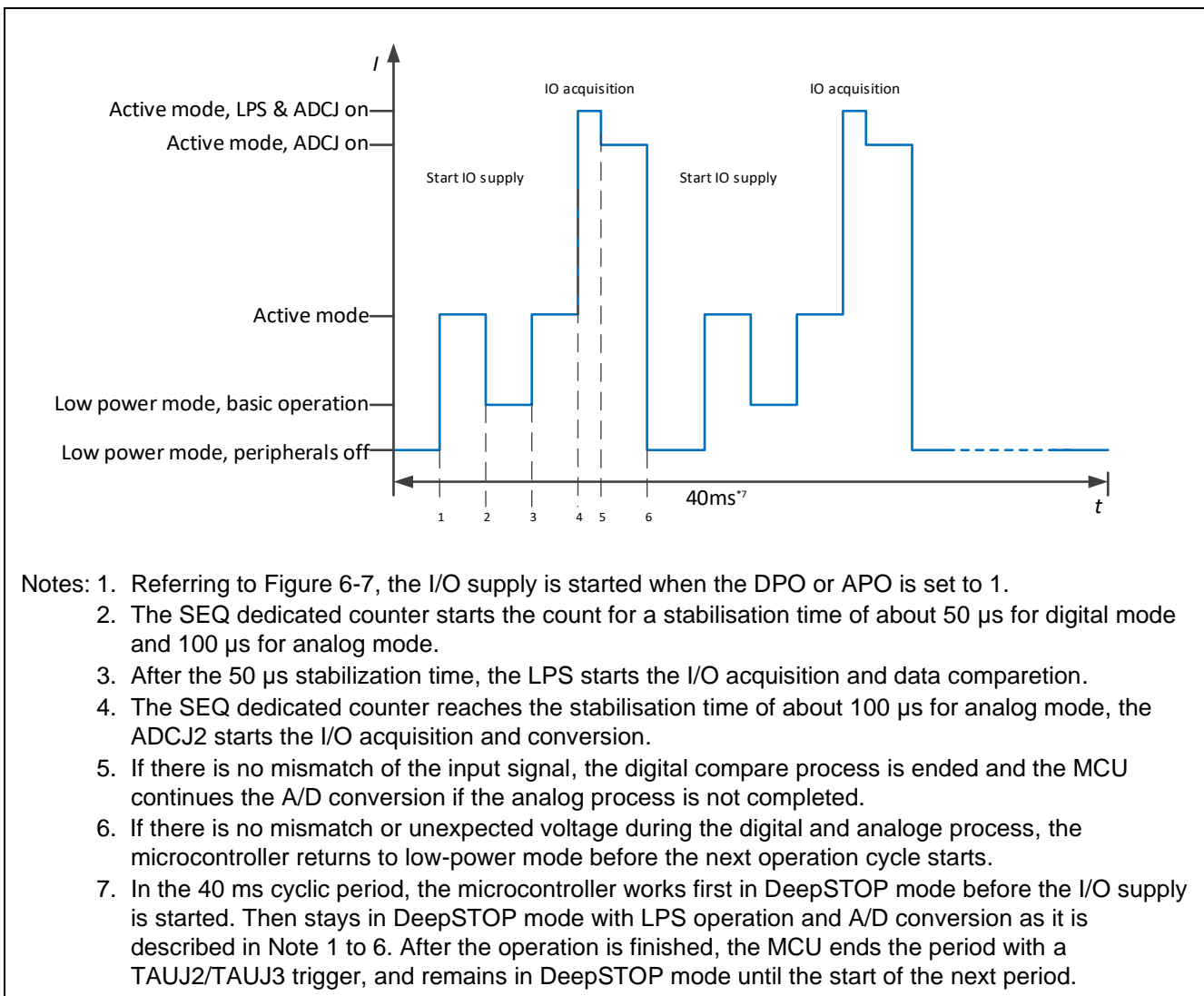
### 7.1 Digital and analog port polling

To show a cyclic wake-up example application, using both digital and analog input mode of LPS, the following conditions are used for the setups:

- Cyclic Period: 40ms;
- Peripherals used: LPS, TAUJ2 and ADCJ2;
- Operating modes: DeepSTOP;
- Channels: 24 digital inputs and 8 analog inputs.

The flow chart of the application is illustrated in Figure 6-4.

Figure 7-1 shows the cyclic wake-up current calculation of digital and analog inputs.



**Figure 7-1 Cyclic Wake-up Calculation of Digital and Analog Inputs**

The configuration of the following peripherals is required for this example, the setup details are described in *Section 6.2.2* and *Section 6.3.2*.

## 7.2 LIN Communication

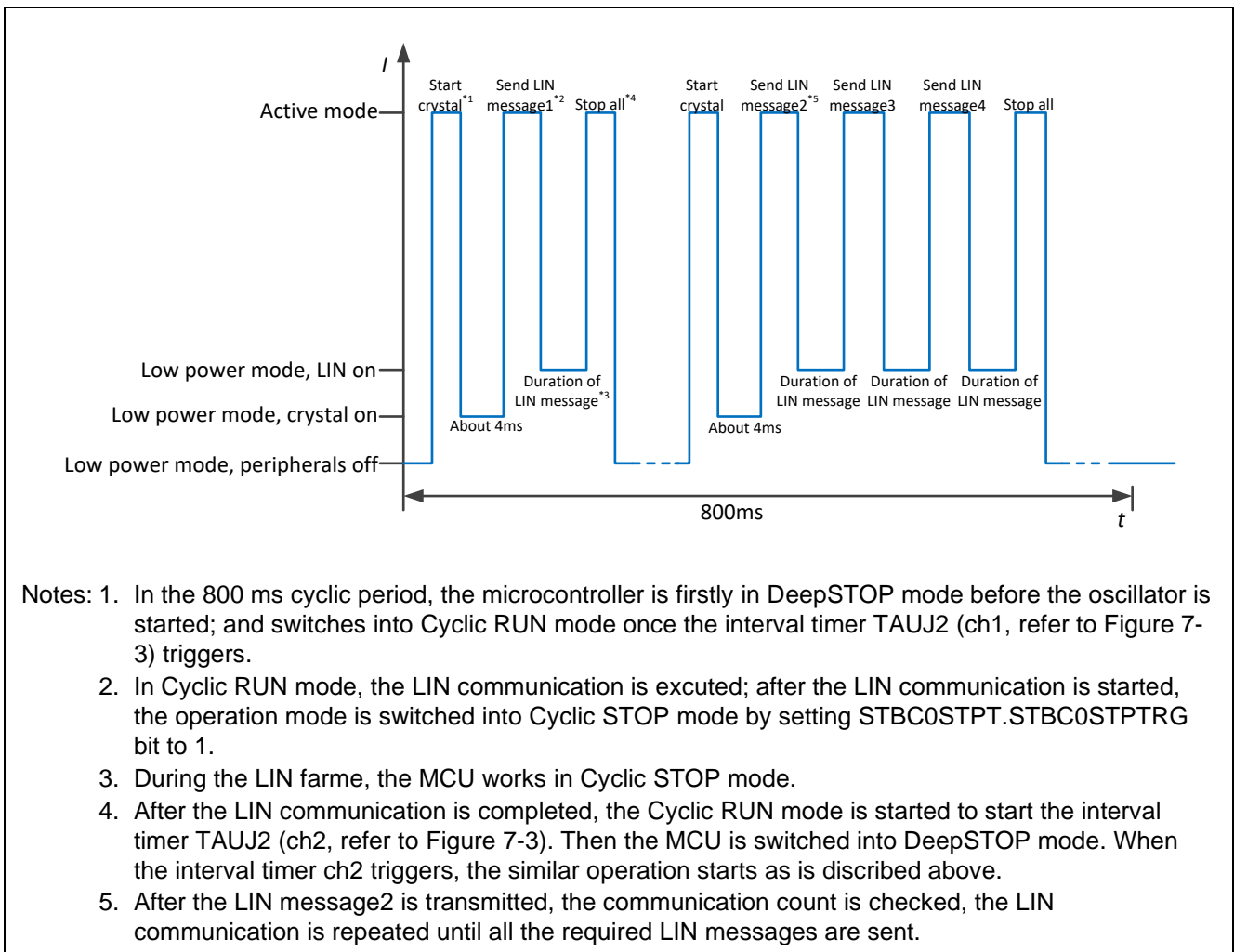
This example shows how to decrease the average power consumption for a cyclic LIN communication application.

This application scenario uses the following functions of the device:

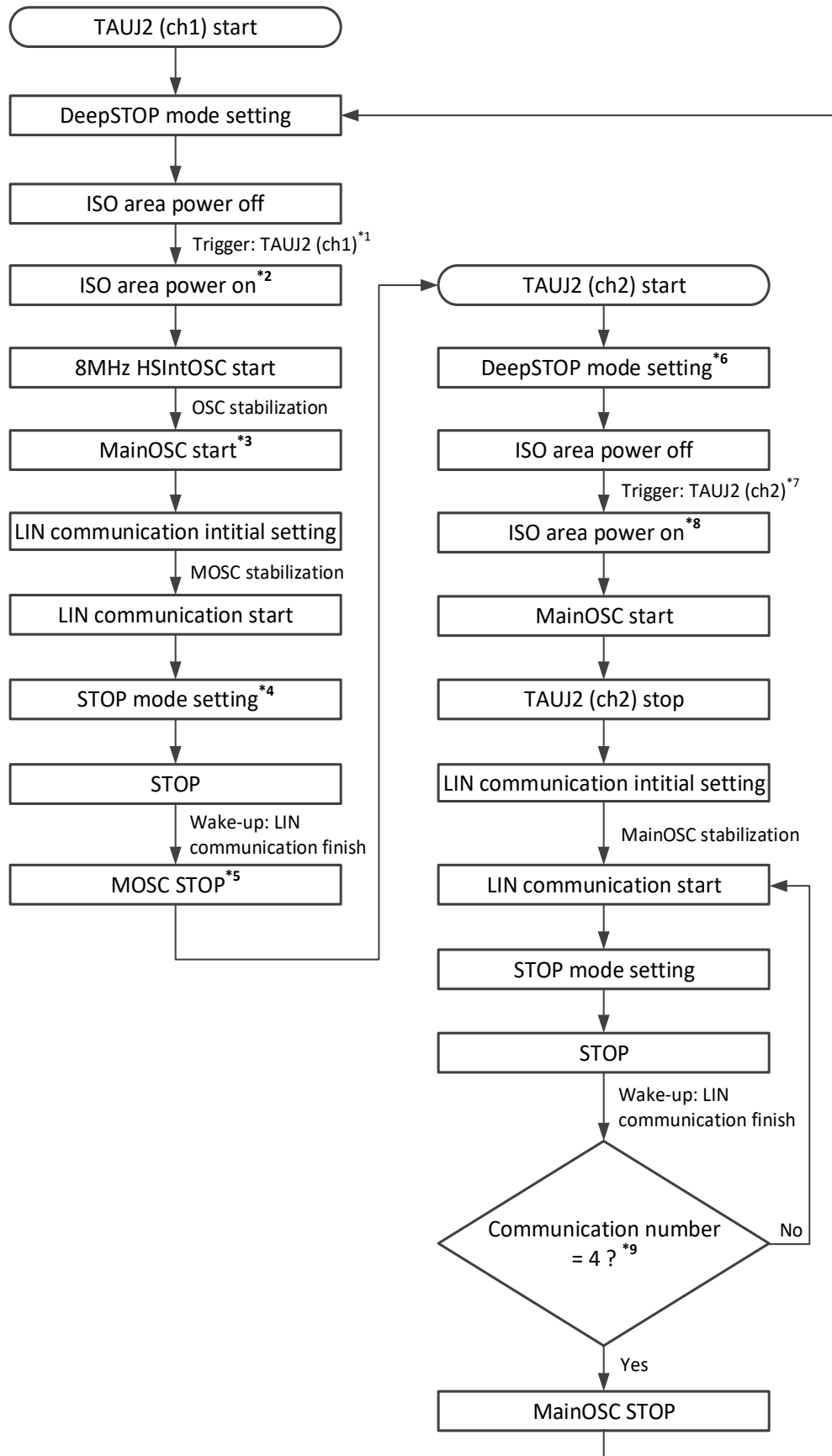
- Cyclic Period: 800ms;
- Peripherals used: TAUJ2 and RLIN3;
- Operating modes used: DeepSTOP and Cyclic RUN;

The Figure 7-2 shows the LIN communication example from a time chart point of view.

The Figure 7-3 shows the related flow chart.



**Figure 7-2 Cyclic Wake-up Calculation of the LIN Communication Example**



Notes: 1. TAUJ2 works here as a interval timer, the TAUJ2 ch1 is used here as a interval timer with the period of 800ms.

2. The MCU switches into Cyclic RUN mode.
3. After the Main OSC is started, the LIN communication initial setting is done during the stabilization time of the Main OSC.
4. To conserve energy, the operation mode is set to Cyclic STOP after the LIN communication is started.
5. When the LIN communication is finished, the wake-up factor occurs, the operation mode is then switched into Cyclic RUN mode. Set the related bits to stop to the Main OSC.
6. Start the interval timer ch2, and then the operation mode is set to DeepSTOP.
7. Here, the period of the interval timer ch2 is set to 150ms.
8. The MCU switches into Cyclic RUN mode once the interval timer ch2 is triggered. The Main OSC is started and the interval timer ch2 is stopped for this cyclic period.
9. The SW checks if all LIN message are sent, if the completion of the LIN communication is detected, the operation mode is set to Cyclic STOP mode, the Main OSC is stopped. Then the MCU is switched into DeepSTOP mode.

**Figure 7-3 Flow Chart of the LIN Communication Example**

The following additional configuration is required for this application:

- The setup of wake-up factor:  
Set the Wake-Up Factor Mask registers WUFMSK0\_A2 and WUFMSK0\_I1, remove the wake-up mask of related TAUJ2 and LIN channel.
- The configuration of LIN3:  
In this application note, the LIN master mode is chosen for the software example. The following registers specify the LIN master mode.
  - LIN Wake-Up Baud Rate Select registers RLN3nLWBR;
  - LIN Baud Rate Prescaler registers RLN3nLBRP0 and RLN3nLBRP1;
  - LIN Mode register RLN3nLMD;
  - LIN Break Field Configuration register RLN3nLBFC, LIN Space Configuration register RLN3nLSC and LIN Data Field Configuration register RLN3nLDFC.
  - LIN Interrupt Enable register RLN3nLIE and LIN Error Detection Enable register RLN3nLEDE;
  - LIN Control register RLN3nLCUC and LIN Transmission Control register RLN3nLTRC;
  - LIN ID Buffer register RLN3nLIDB and LIN Data Buffer registers RLN3nLDBR1 to 8.

For detailed configuration, please refer to the RH850/U2A-EVA User's Manual *Section 21.3 'Registers (RLIN3)'*.

### 7.3 CAN Communication

For a low-power CAN Communication application, there are 2 suggested network structures:

- Partial Networking
- Pretended Networking.

#### 7.3.1 Partial Networking

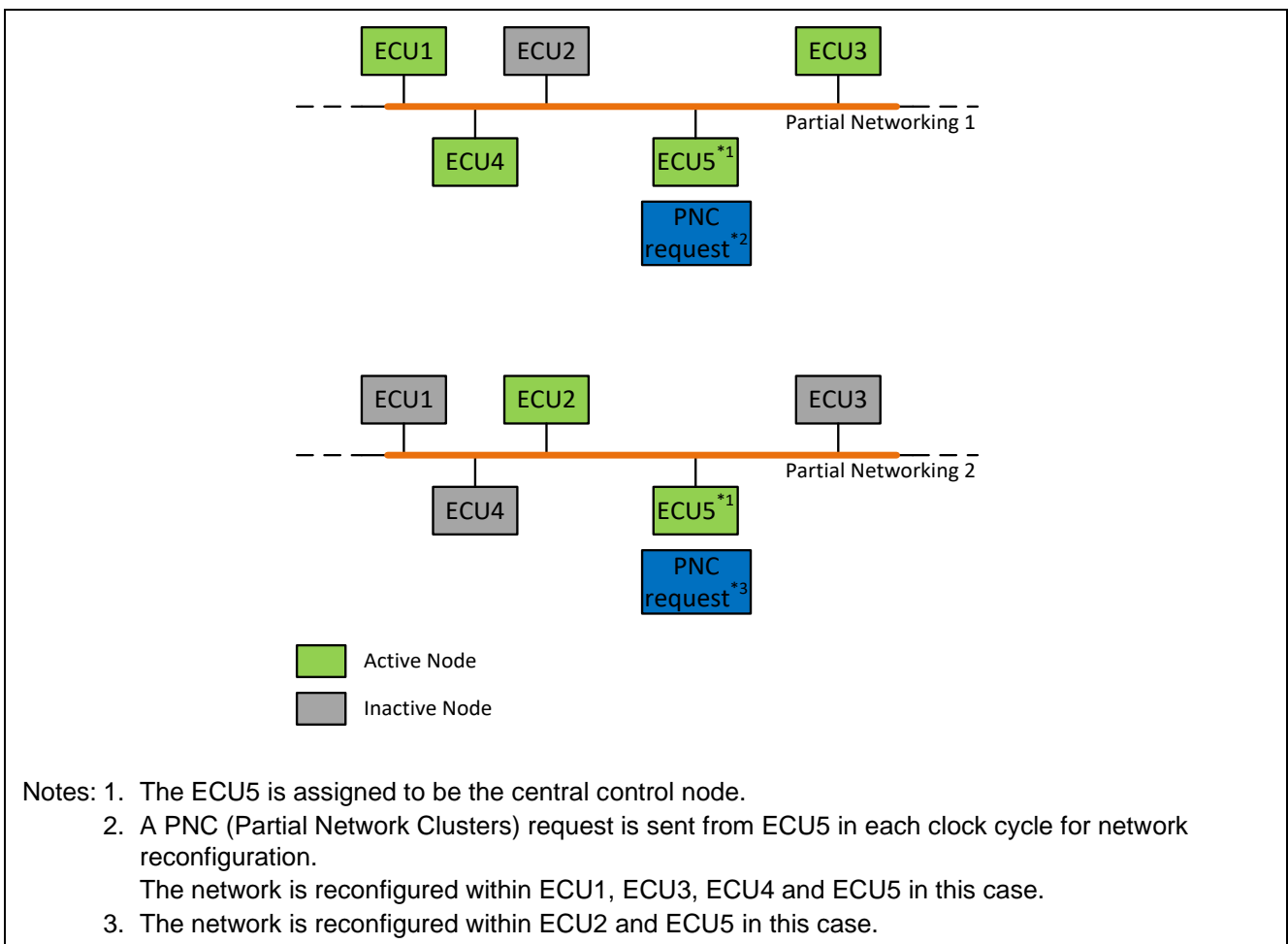
A partial networking comprises

- A central / Master control node and
- Normal / Slave network nodes.

The intention of this network structure is to save power by commanding the slave nodes by the central control node to a standby mode. The central control node sends a dedicated control message and defines the active nodes and inactive nodes in the network.

After an active node is deactivated, it cannot support the network any more. During a partial networking inactive phase, the inactive nodes are completely switched off and just wait on a network reconfiguration.

Figure 6-4 shows an example of partial networking for CAN communication.



**Figure 7-4 Example of Partial Networking**

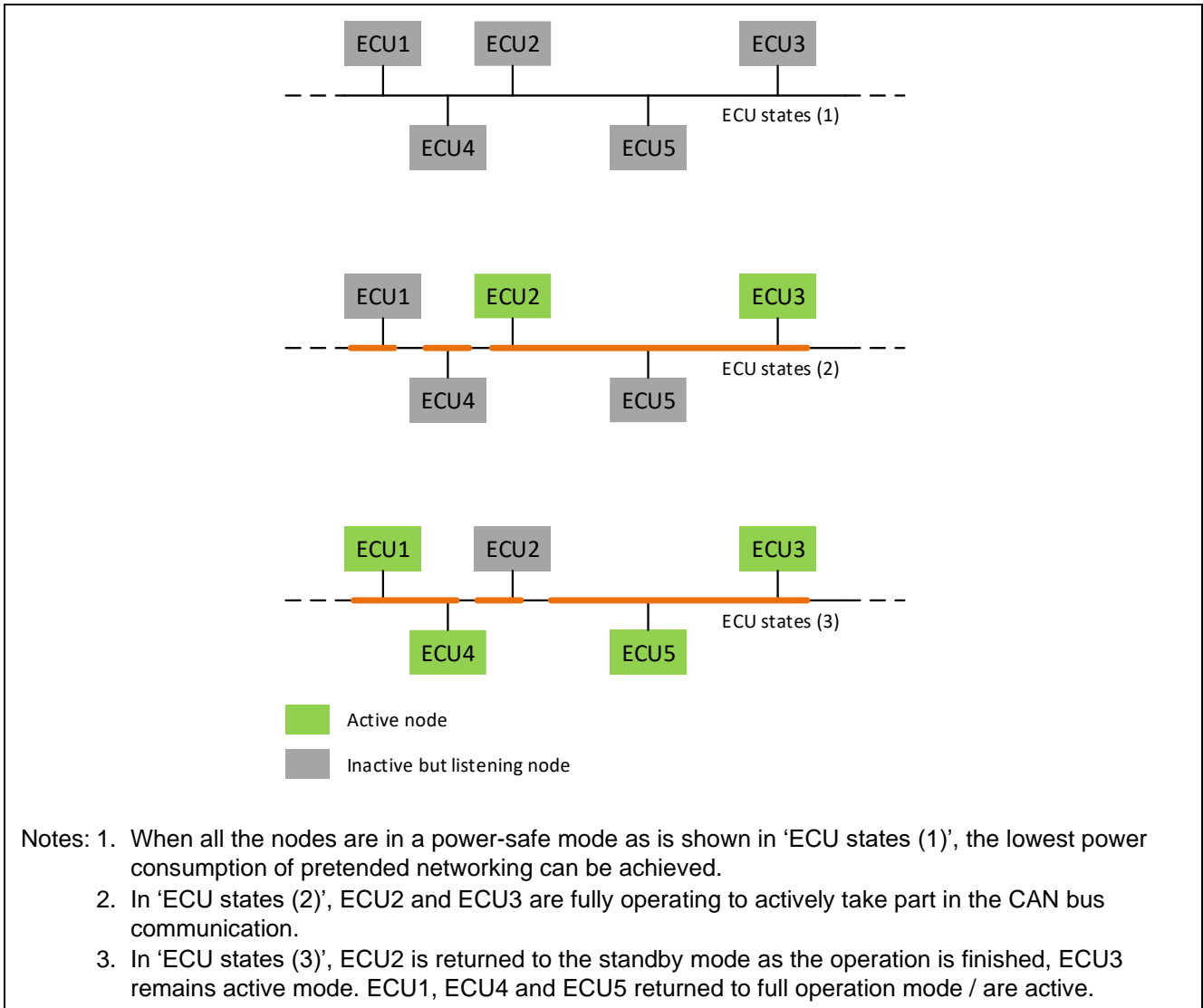
A partial networking application can be treated as a special use case of pretended networking with only the message reception operation enabled.

### 7.3.2 Pretended Networking

'Pretended Networking' describes a mode in that the network nodes enter a standby mode by themselves but appear active to the remainder of the network.

The intention of this concept is to save power by adapting the power save options of the device based on the individual needs and current situation of the ECUs. Still, for other devices in the network, a node being in a 'pretended networking' state still appears as a 'normally' operating node.

Figure 6-5 illustrates an example of pretended networking.



**Figure 7-5 Example of Pretended Networking**

To best fulfill the requirements for Pretended Networking, the STOP mode can be applied for all RH850/U2A-EVA devices:

- In STOP mode the power consumption decreases by a large amount compared to the RUN mode.
- The CAN macro remains active and can listen to the CAN network.
- Upon the reception of a valid CAN message the device can transit from STOP mode to RUN mode almost instantly.

## 8. Summary

The standby modes of the RH850/U2A-EVA devices provide a variety of possibility to reduce the average current consumption.

The peripherals Power Supply, STBC, Clock Controller and LPS are related to low-power operations.

The RH850/U2A-EVA series supports the following power-save modes:

- STOP mode
- DeepSTOP mode
- Cyclic RUN mode
- Cyclic STOP mode

To implement the low-power operations, the corresponding peripherals must be configured according to the required application.

**Website and Support**

Renesas Electronics Website

<http://www.renesas.com/>

Inquiries

<http://www.renesas.com/contact/>

All trademarks and registered trademarks are the property of their respective owners.

**Revision History**

Rev.	Date	Description	
		Page	Summary
0.10	Jun 05, 2018	-	Internal release
1.00	Dec 15, 2018	-	Release
1.10	Jan 20, 2019	12	Update Figure 4-1 Transition to Chip Standby Modes
		13	Update Table 4-1 List of Operation Modes
		36	Add Notes to Table 4-8 Execution Conditions of Standby-Resume BIST
		50	Add the Section of "Pin Assignment" for LPS
1.11	Dec 09, 2019	1	<ul style="list-style-type: none"> <li>Update the device number regarding to HW UM</li> <li>Add the product information of RH850/U2A-EVA series</li> </ul>
1.20	Nov 09, 2020	-	Update the series name from RH850/U2A to RH850/U2A-EVA
		7	Update the reference document number
		41	Update the Table 6-1 LPS Channels of RH850/U2A-EVA Devices
		50	Update the attachment "LPS External Input_Output and Pin Assignment.xlsx" for pin assignment
1.30	Jan 29, 2021	14	Add Note 3.
		21-22	Update the flow chart of transition to DeepSTOP mode and the related notes, add the information of PLL SW restart.
1.40	May 20, 2022	1	Update the product line
		7	Update the reference document
		41	Update the Table 6-1 LPS Channels of RH850/U2A-EVA Devices
		-	Update of the attached document "LPS External Input_Output and Pin Assignment V1.40.xlsx"
1.50	Jun 12, 2023	7	Update the reference document
		45 and 49	Update of the stabilization time in Table 6.5 and Table 6.8

## General Precautions in the Handling of Microprocessing Unit and Microcontroller Unit Products

The following usage notes are applicable to all Microprocessing unit and Microcontroller unit products from Renesas. For detailed usage notes on the products covered by this document, refer to the relevant sections of the document as well as any technical updates that have been issued for the products.

### 1. Precaution against Electrostatic Discharge (ESD)

A strong electrical field, when exposed to a CMOS device, can cause destruction of the gate oxide and ultimately degrade the device operation. Steps must be taken to stop the generation of static electricity as much as possible, and quickly dissipate it when it occurs. Environmental control must be adequate. When it is dry, a humidifier should be used. This is recommended to avoid using insulators that can easily build up static electricity.

Semiconductor devices must be stored and transported in an anti-static container, static shielding bag or conductive material. All test and measurement tools including work benches and floors must be grounded. The operator must also be grounded using a wrist strap. Semiconductor devices must not be touched with bare hands. Similar precautions must be taken for printed circuit boards with mounted semiconductor devices.

### 2. Processing at power-on

The state of the product is undefined at the time when power is supplied. The states of internal circuits in the LSI are indeterminate and the states of register settings and pins are undefined at the time when power is supplied. In a finished product where the reset signal is applied to the external reset pin, the states of pins are not guaranteed from the time when power is supplied until the reset process is completed. In a similar way, the states of pins in a product that is reset by an on-chip power-on reset function are not guaranteed from the time when power is supplied until the power reaches the level at which resetting is specified.

### 3. Input of signal during power-off state

Do not input signals or an I/O pull-up power supply while the device is powered off. The current injection that results from input of such a signal or I/O pull-up power supply may cause malfunction and the abnormal current that passes in the device at this time may cause degradation of internal elements. Follow the guideline for input signal during power-off state as described in your product documentation.

### 4. Handling of unused pins

Handle unused pins in accordance with the directions given under handling of unused pins in the manual. The input pins of CMOS products are generally in the high-impedance state. In operation with an unused pin in the open-circuit state, extra electromagnetic noise is induced in the vicinity of the LSI, an associated shoot-through current flows internally, and malfunctions occur due to the false recognition of the pin state as an input signal become possible.

### 5. Clock signals

After applying a reset, only release the reset line after the operating clock signal becomes stable. When switching the clock signal during program execution, wait until the target clock signal is stabilized. When the clock signal is generated with an external resonator or from an external oscillator during a reset, ensure that the reset line is only released after full stabilization of the clock signal. Additionally, when switching to a clock signal produced with an external resonator or by an external oscillator while program execution is in progress, wait until the target clock signal is stable.

### 6. Voltage application waveform at input pin

Waveform distortion due to input noise or a reflected wave may cause malfunction. If the input of the CMOS device stays in the area between  $V_{IL}$  (Max.) and  $V_{IH}$  (Min.) due to noise, for example, the device may malfunction. Take care to prevent chattering noise from entering the device when the input level is fixed, and also in the transition period when the input level passes through the area between  $V_{IL}$  (Max.) and  $V_{IH}$  (Min.).

### 7. Prohibition of access to reserved addresses

Access to reserved addresses is prohibited. The reserved addresses are provided for possible future expansion of functions. Do not access these addresses as the correct operation of the LSI is not guaranteed.

### 8. Differences between products

Before changing from one product to another, for example to a product with a different part number, confirm that the change will not lead to problems. The characteristics of a microprocessing unit or microcontroller unit products in the same group but having a different part number might differ in terms of internal memory capacity, layout pattern, and other factors, which can affect the ranges of electrical characteristics, such as characteristic values, operating margins, immunity to noise, and amount of radiated noise. When changing to a product with a different part number, implement a system-evaluation test for the given product.

## Notice

1. Descriptions of circuits, software and other related information in this document are provided only to illustrate the operation of semiconductor products and application examples. You are fully responsible for the incorporation or any other use of the circuits, software, and information in the design of your product or system. Renesas Electronics disclaims any and all liability for any losses and damages incurred by you or third parties arising from the use of these circuits, software, or information.
  2. Renesas Electronics hereby expressly disclaims any warranties against and liability for infringement or any other claims involving patents, copyrights, or other intellectual property rights of third parties, by or arising from the use of Renesas Electronics products or technical information described in this document, including but not limited to, the product data, drawings, charts, programs, algorithms, and application examples.
  3. No license, express, implied or otherwise, is granted hereby under any patents, copyrights or other intellectual property rights of Renesas Electronics or others.
  4. You shall not alter, modify, copy, or reverse engineer any Renesas Electronics product, whether in whole or in part. Renesas Electronics disclaims any and all liability for any losses or damages incurred by you or third parties arising from such alteration, modification, copying or reverse engineering.
  5. Renesas Electronics products are classified according to the following two quality grades: "Standard" and "High Quality". The intended applications for each Renesas Electronics product depends on the product's quality grade, as indicated below.
    - "Standard": Computers; office equipment; communications equipment; test and measurement equipment; audio and visual equipment; home electronic appliances; machine tools; personal electronic equipment; industrial robots; etc.
    - "High Quality": Transportation equipment (automobiles, trains, ships, etc.); traffic control (traffic lights); large-scale communication equipment; key financial terminal systems; safety control equipment; etc.
- Unless expressly designated as a high reliability product or a product for harsh environments in a Renesas Electronics data sheet or other Renesas Electronics document, Renesas Electronics products are not intended or authorized for use in products or systems that may pose a direct threat to human life or bodily injury (artificial life support devices or systems; surgical implantations; etc.), or may cause serious property damage (space system; undersea repeaters; nuclear power control systems; aircraft control systems; key plant systems; military equipment; etc.). Renesas Electronics disclaims any and all liability for any damages or losses incurred by you or any third parties arising from the use of any Renesas Electronics product that is inconsistent with any Renesas Electronics data sheet, user's manual or other Renesas Electronics document.
6. When using Renesas Electronics products, refer to the latest product information (data sheets, user's manuals, application notes, "General Notes for Handling and Using Semiconductor Devices" in the reliability handbook, etc.), and ensure that usage conditions are within the ranges specified by Renesas Electronics with respect to maximum ratings, operating power supply voltage range, heat dissipation characteristics, installation, etc. Renesas Electronics disclaims any and all liability for any malfunctions, failure or accident arising out of the use of Renesas Electronics products outside of such specified ranges.
  7. Although Renesas Electronics endeavors to improve the quality and reliability of Renesas Electronics products, semiconductor products have specific characteristics, such as the occurrence of failure at a certain rate and malfunctions under certain use conditions. Unless designated as a high reliability product or a product for harsh environments in a Renesas Electronics data sheet or other Renesas Electronics document, Renesas Electronics products are not subject to radiation resistance design. You are responsible for implementing safety measures to guard against the possibility of bodily injury, injury or damage caused by fire, and/or danger to the public in the event of a failure or malfunction of Renesas Electronics products, such as safety design for hardware and software, including but not limited to redundancy, fire control and malfunction prevention, appropriate treatment for aging degradation or any other appropriate measures. Because the evaluation of microcomputer software alone is very difficult and impractical, you are responsible for evaluating the safety of the final products or systems manufactured by you.
  8. Please contact a Renesas Electronics sales office for details as to environmental matters such as the environmental compatibility of each Renesas Electronics product. You are responsible for carefully and sufficiently investigating applicable laws and regulations that regulate the inclusion or use of controlled substances, including without limitation, the EU RoHS Directive, and using Renesas Electronics products in compliance with all these applicable laws and regulations. Renesas Electronics disclaims any and all liability for damages or losses occurring as a result of your noncompliance with applicable laws and regulations.
  9. Renesas Electronics products and technologies shall not be used for or incorporated into any products or systems whose manufacture, use, or sale is prohibited under any applicable domestic or foreign laws or regulations. You shall comply with any applicable export control laws and regulations promulgated and administered by the governments of any countries asserting jurisdiction over the parties or transactions.
  10. It is the responsibility of the buyer or distributor of Renesas Electronics products, or any other party who distributes, disposes of, or otherwise sells or transfers the product to a third party, to notify such third party in advance of the contents and conditions set forth in this document.
  11. This document shall not be reprinted, reproduced or duplicated in any form, in whole or in part, without prior written consent of Renesas Electronics.
  12. Please contact a Renesas Electronics sales office if you have any questions regarding the information contained in this document or Renesas Electronics products.

(Note1) "Renesas Electronics" as used in this document means Renesas Electronics Corporation and also includes its directly or indirectly controlled subsidiaries.

(Note2) "Renesas Electronics product(s)" means any product developed or manufactured by or for Renesas Electronics.

(Rev.4.0-1 November 2017)

## Corporate Headquarters

TOYOSU FORESIA, 3-2-24 Toyosu,  
Koto-ku, Tokyo 135-0061, Japan  
[www.renesas.com](http://www.renesas.com)

## Trademarks

Renesas and the Renesas logo are trademarks of Renesas Electronics Corporation. All trademarks and registered trademarks are the property of their respective owners.

## Contact information

For further information on a product, technology, the most up-to-date version of a document, or your nearest sales office, please visit:  
[www.renesas.com/contact/](http://www.renesas.com/contact/).